

US00D746930S

(12) **United States Design Patent**
Durante et al.

(10) **Patent No.:** **US D746,930 S**

(45) **Date of Patent:** **** Jan. 5, 2016**

(54) **FIN PLUG FOR A SURFCRAFT**

(71) Applicant: **Fin Control Systems Pty. Limited**,
Mona Vale, NSW (AU)

(72) Inventors: **Michael Durante**, Mona Vale (AU);
Gregory Scott, Mona Vale (AU)

(73) Assignee: **Fin Control Systems Pty. Limited**, New
South Wales (AU)

(**) Term: **14 Years**

(21) Appl. No.: **29/454,748**

(22) Filed: **May 14, 2013**

(30) **Foreign Application Priority Data**

Nov. 14, 2012 (AU) 15675/2012

(51) **LOC (10) Cl.** **21-02**

(52) **U.S. Cl.**
USPC **D21/778**

(58) **Field of Classification Search**

USPC D21/684-685, 760-761, 765-766,
D21/768-777, 778; 114/253, 345-346;
441/74-75; 472/128-129; D12/5, 6,
D12/316; 280/601, 609, 637, 11.36
CPC B63B 35/79; B63B 35/73; B63B 1/00
See application file for complete search history.

(56) **References Cited**

U.S. PATENT DOCUMENTS

6,793,548 B2 * 9/2004 Jolly et al. 441/79
7,025,645 B1 * 4/2006 Hsieh 441/79

7,285,031 B2 * 10/2007 Mair et al. 441/79
D663,000 S * 7/2012 Trotter D21/771
2002/0155769 A1 * 10/2002 Herbert et al. 441/79

* cited by examiner

Primary Examiner — Zenia Bennett

(74) *Attorney, Agent, or Firm* — Nutter McClennen & Fish
LLP; John J. Penny, Jr.

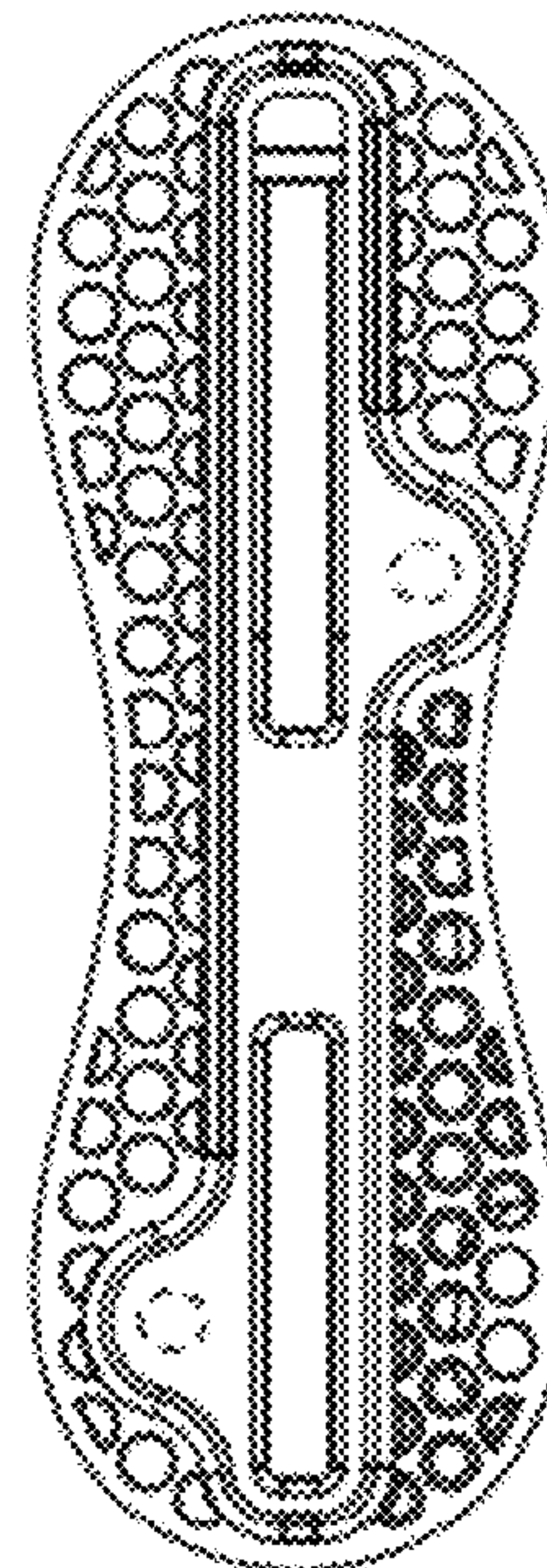
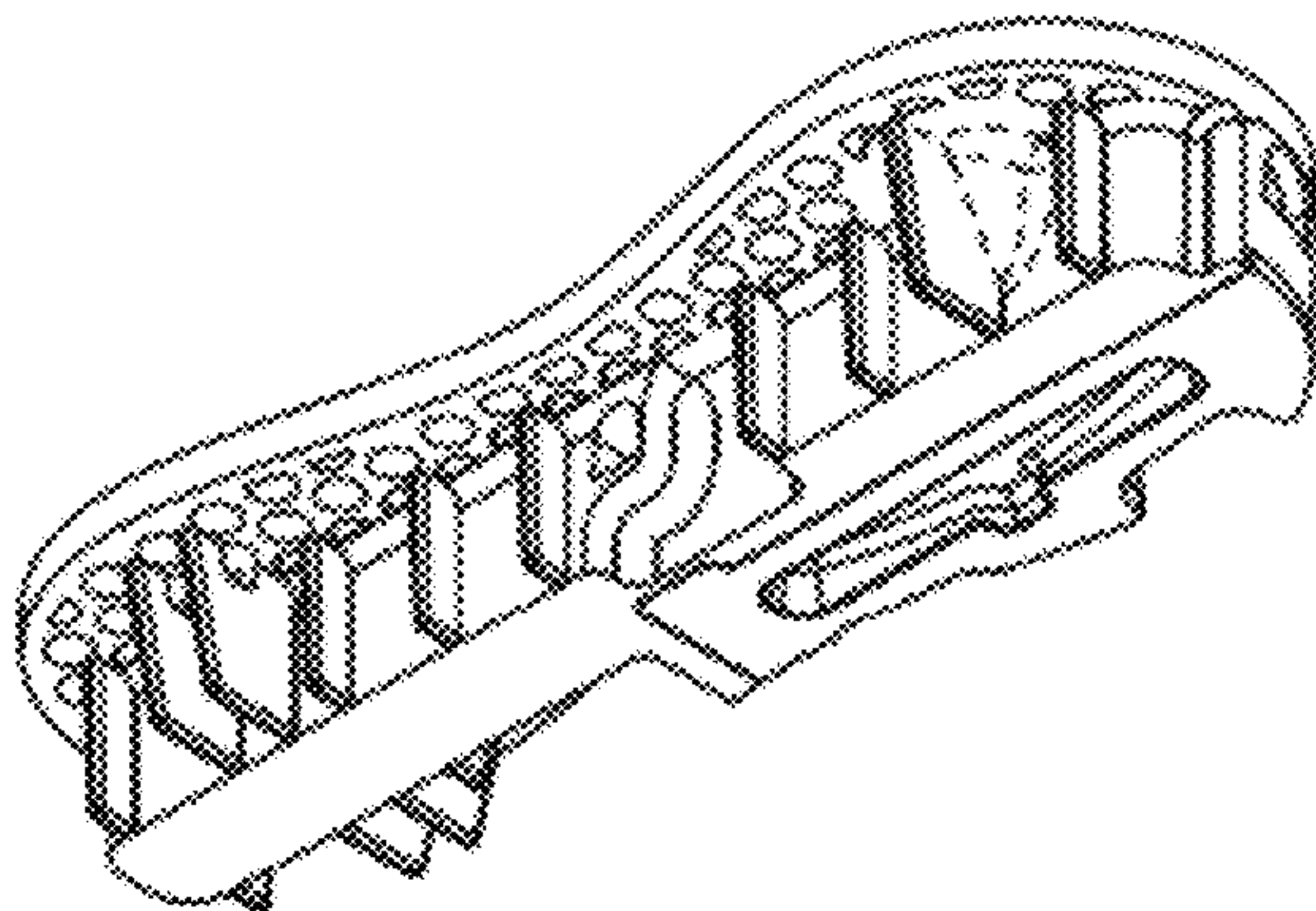
(57) **CLAIM**

The ornamental design for a fin plug for a surfcraft, as shown
and described.

DESCRIPTION

FIG. 1 is a top perspective view of the fin plug for a surfcraft
of the present invention;
FIG. 2 is a top perspective view of the fin plug for a surfcraft
of the present invention; and
FIG. 3 is an end view (front) of the fin plug for a surfcraft of
the present invention;
FIG. 4 is a side view (left) of the fin plug for a surfcraft of the
present invention;
FIG. 5 is an end view (rear) of the fin plug for a surfcraft of the
present invention;
FIG. 6 is a side view (right) of the fin plug for a surfcraft of the
present invention;
FIG. 7 is a bottom perspective view of the fin plug for a
surfcraft of the present invention.
FIG. 8 is a bottom perspective view of the fin plug for a
surfcraft of the present invention.
FIG. 9 is a plan view of the fin plug for a surfcraft of the
present invention; and,
FIG. 10 is a bottom view of the fin plug for a surfcraft of the
present invention.
The features of the fin plug for a surfcraft shown in broken
lines are for illustrative purposes only and do not form part of
the claimed invention.

1 Claim, 4 Drawing Sheets



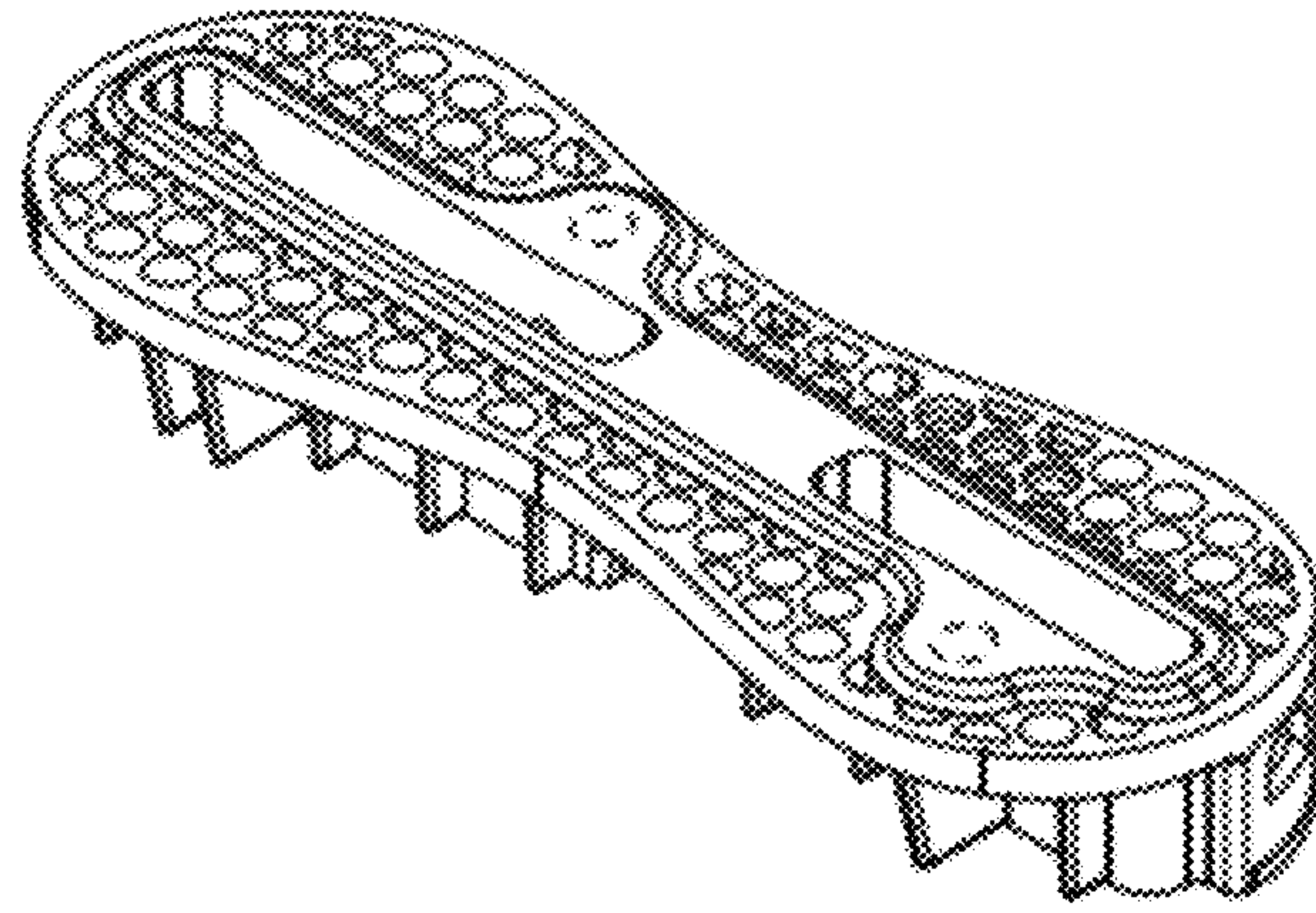


FIG. 1

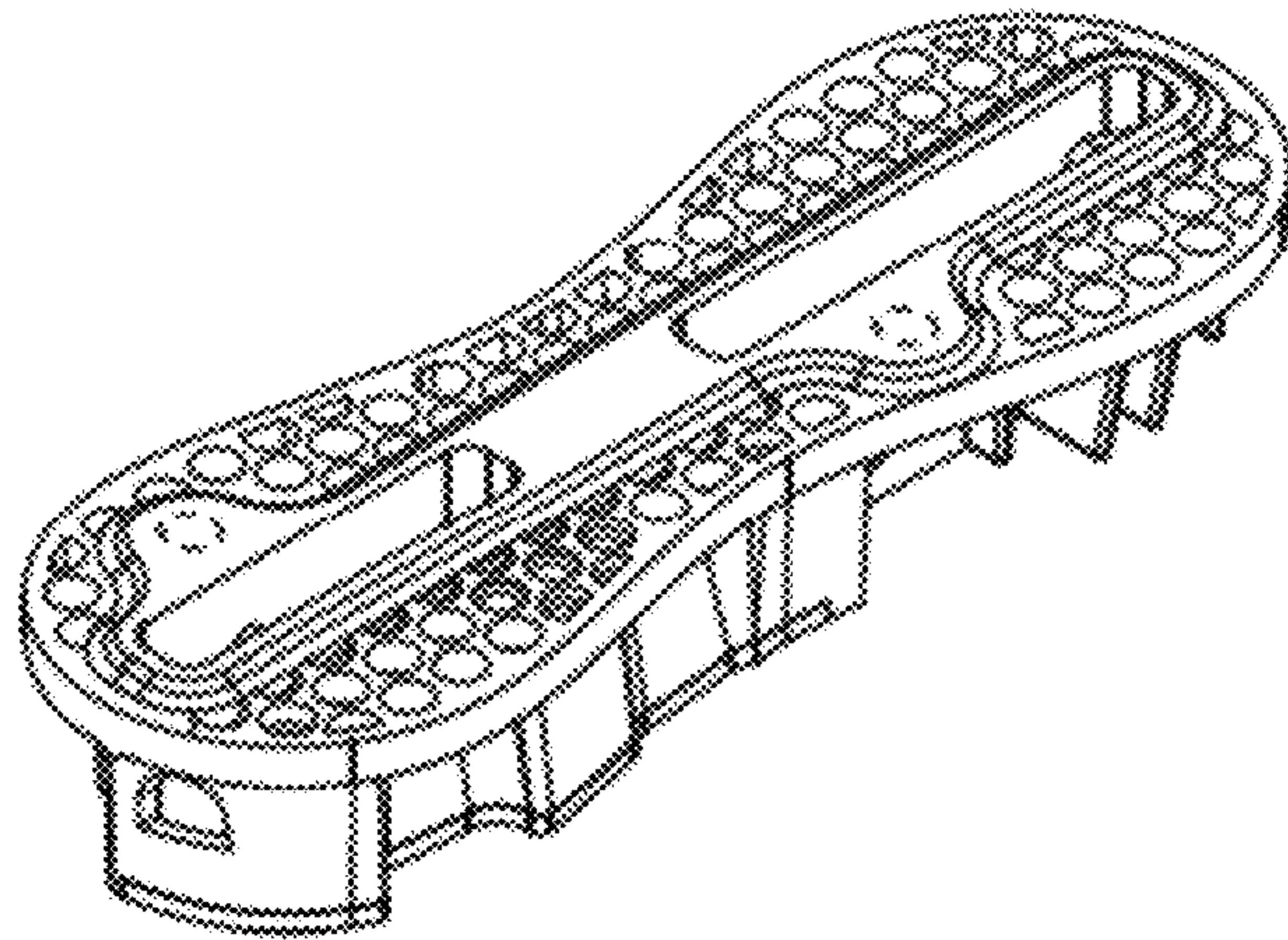


FIG. 2

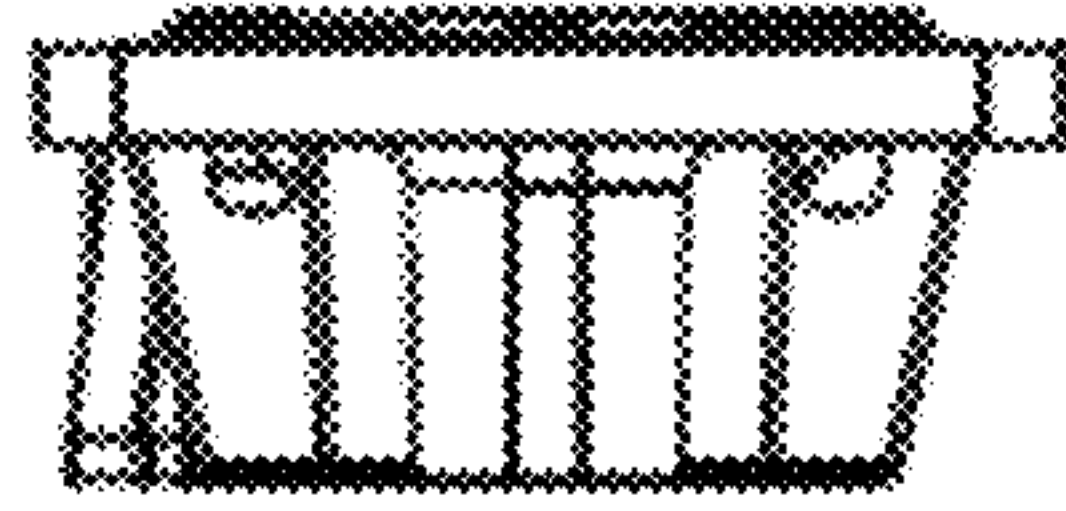


FIG. 3

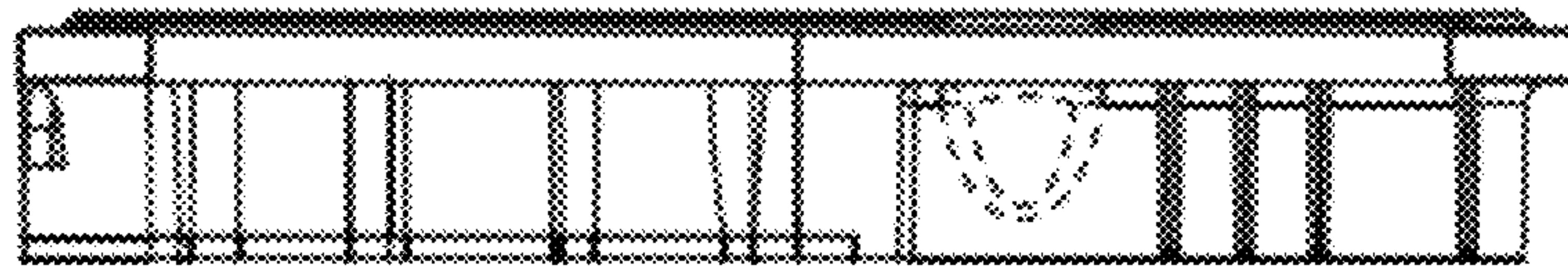


FIG. 4



FIG. 5

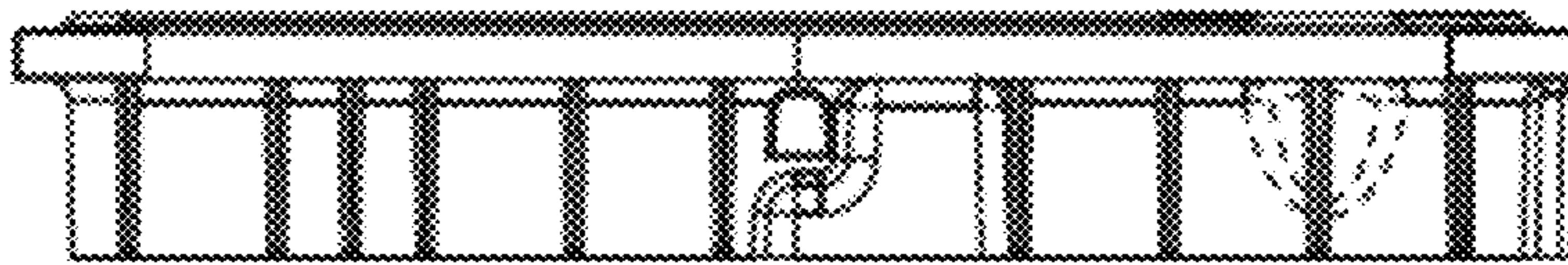


FIG. 6

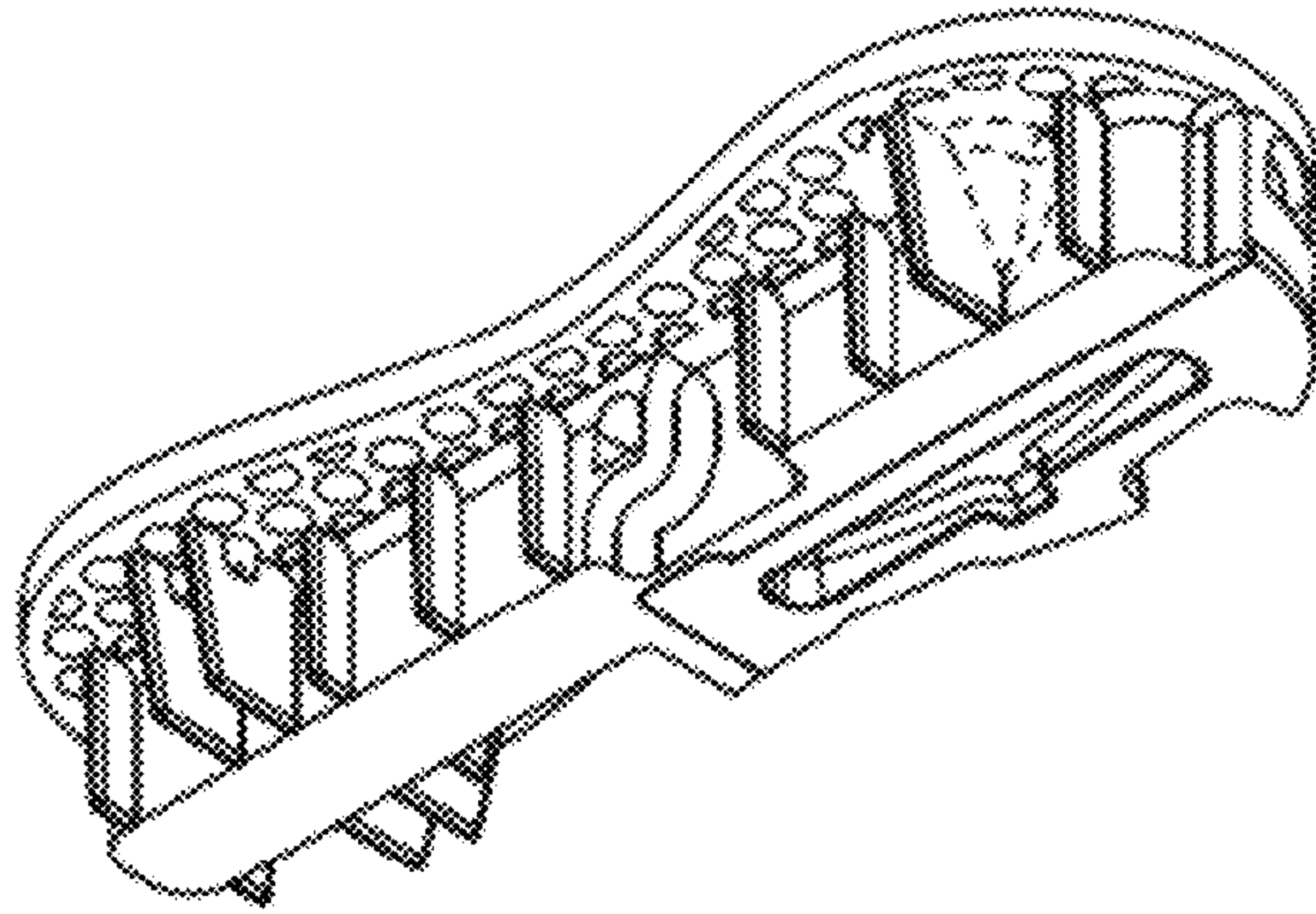


FIG. 7

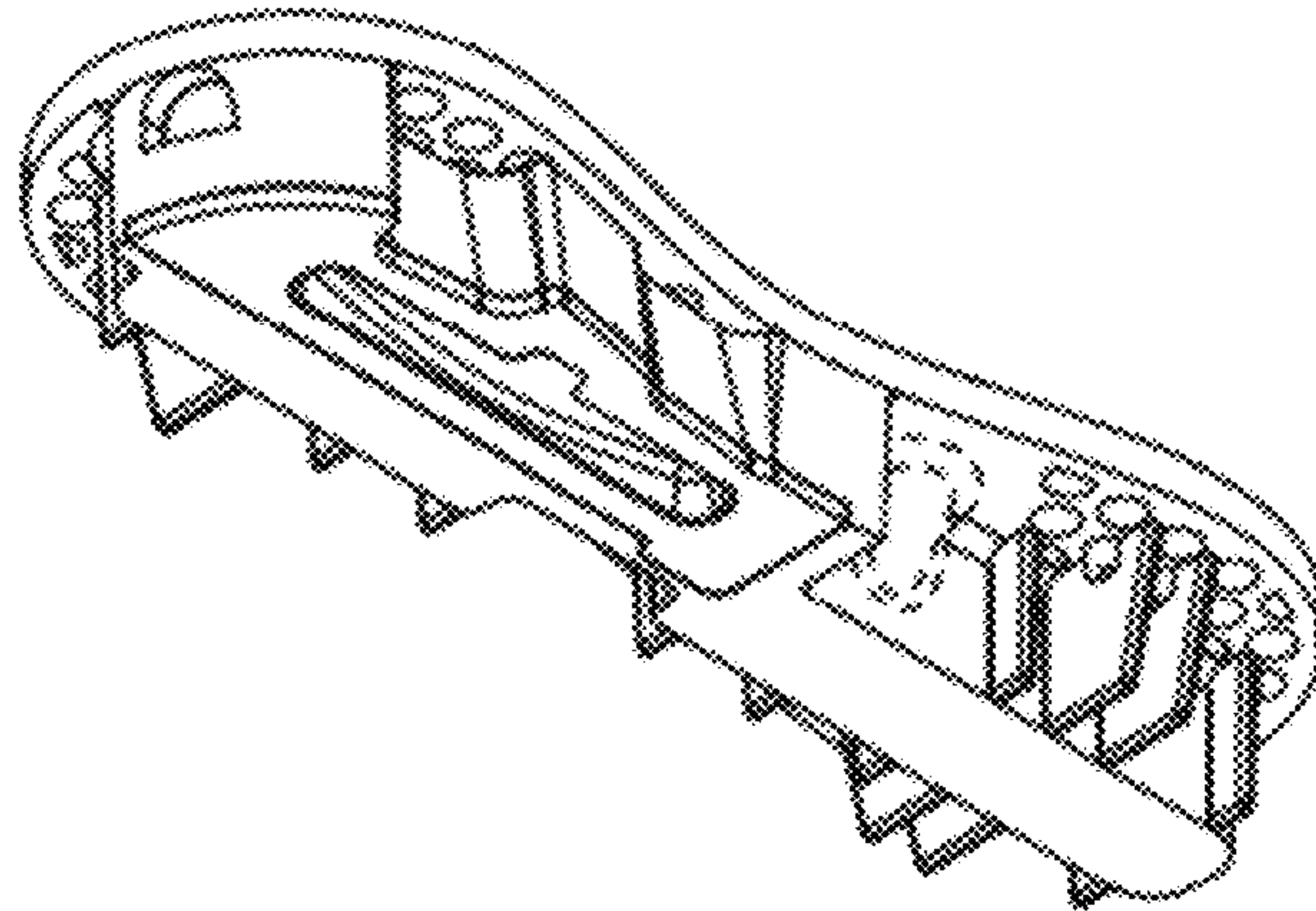


FIG. 8

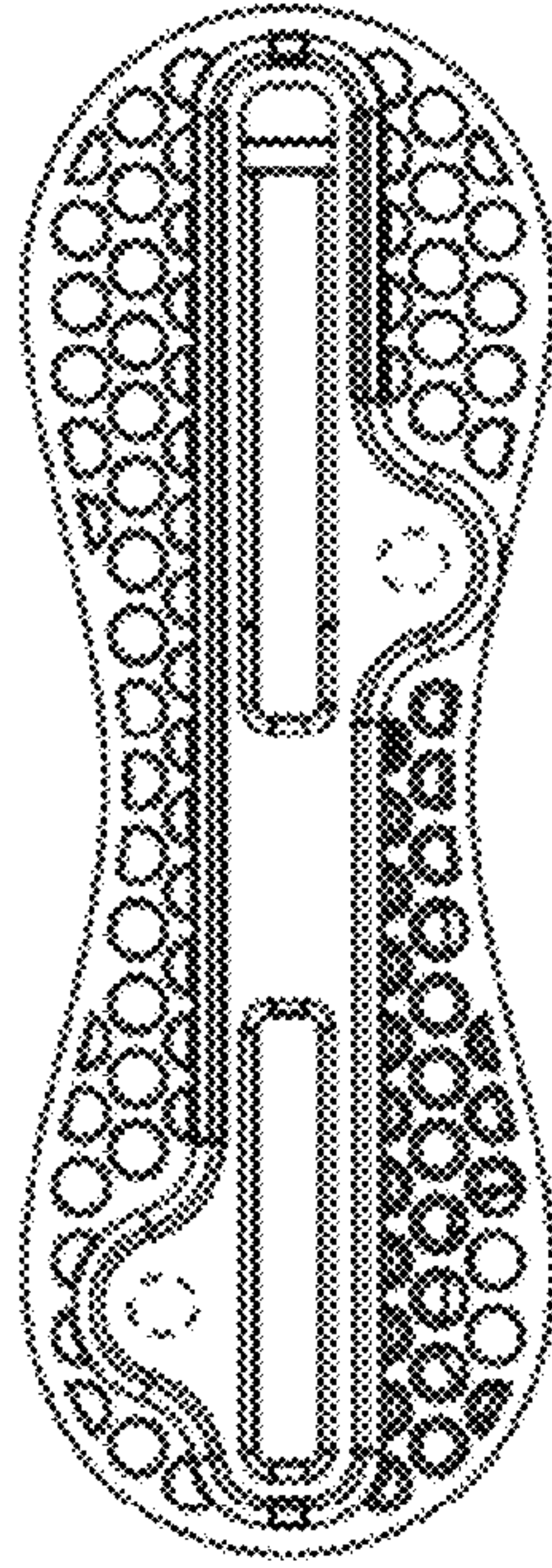


FIG. 9

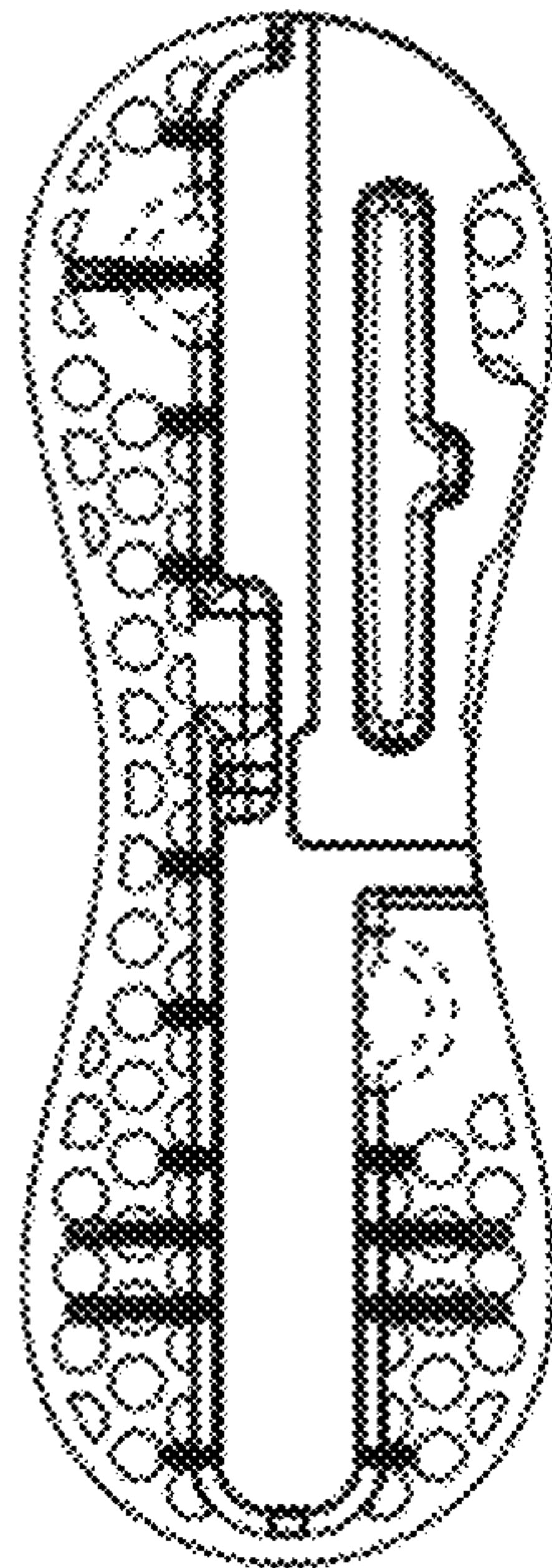


FIG. 10