



US00D746928S

(12) **United States Design Patent**  
**Doerksen**

(10) **Patent No.:** **US D746,928 S**  
(45) **Date of Patent:** **\*\* Jan. 5, 2016**

- (54) **SKATEBOARD**
- (71) Applicant: **Future Motion, Inc.**, Mountain View, CA (US)
- (72) Inventor: **Kyle Jonathan Doerksen**, Palo Alto, CA (US)
- (73) Assignee: **Future Motion, Inc.**, Mountain View, CA (US)
- (\*\*) Term: **14 Years**
- (21) Appl. No.: **29/506,782**
- (22) Filed: **Oct. 20, 2014**
- (51) **LOC (10) Cl.** ..... **21-02**
- (52) **U.S. Cl.**  
USPC ..... **D21/765**
- (58) **Field of Classification Search**  
USPC ..... D21/419, 421, 423, 426, 662, 760, 765, D21/766, 769, 771, 776, 803; D12/1; 280/7.14, 11.115, 11.19, 11.27, 11.28, 280/14.21, 79.11, 79.2, 87.01, 87.021, 280/87.03, 87.041, 87.042, 607, 608, 609, 280/809; 180/180, 181; 434/247, 253, 258; D34/23, 28  
CPC .... A63C 17/01; A63C 17/011; A63C 17/012; A63C 17/014; A63C 17/015; A63C 17/02; A63C 17/26; A63C 5/003; B60Q 1/326; B62K 3/001  
See application file for complete search history.

6,332,103	B1	12/2001	Stenson, Jr. et al.	
6,408,240	B1	6/2002	Morrell et al.	
6,538,411	B1	3/2003	Field et al.	
6,553,271	B1	4/2003	Morrell	
6,779,621	B2	8/2004	Kamen et al.	
6,789,640	B1	9/2004	Arling et al.	
6,827,163	B2	12/2004	Amsbury et al.	
6,874,591	B2	4/2005	Morrell et al.	
6,965,206	B2	11/2005	Kamen et al.	
6,992,452	B1	1/2006	Sachs et al.	
7,091,724	B2	8/2006	Heinzmann et al.	
7,130,702	B2	10/2006	Morrell	
7,157,875	B2	1/2007	Kamen et al.	
7,172,044	B2 *	2/2007	Bouvet .....	180/181
7,263,453	B1	8/2007	Gansler et al.	
D551,592	S	9/2007	Chang et al.	
D567,318	S *	4/2008	Farrelly et al. ....	D21/763
7,424,927	B2	9/2008	Hiramatsu	
7,740,099	B2	6/2010	Field et al.	
7,757,794	B2	7/2010	Heinzmann et al.	

(Continued)

Primary Examiner — Cynthia M Chin

(74) Attorney, Agent, or Firm — Kolisch Hartwell, P.C.

(57) **CLAIM**

What is claimed is the ornamental design for a skateboard, as shown and described.

**DESCRIPTION**

FIG. 1 is an upper, front, and left side perspective view of a skateboard showing the new design;  
 FIG. 2 is a front view thereof, the rear view is a mirror image of the front view;  
 FIG. 3 is a top view thereof;  
 FIG. 4 is left side view thereof;  
 FIG. 5 is a bottom view thereof; and,  
 FIG. 6 is a right side view thereof.

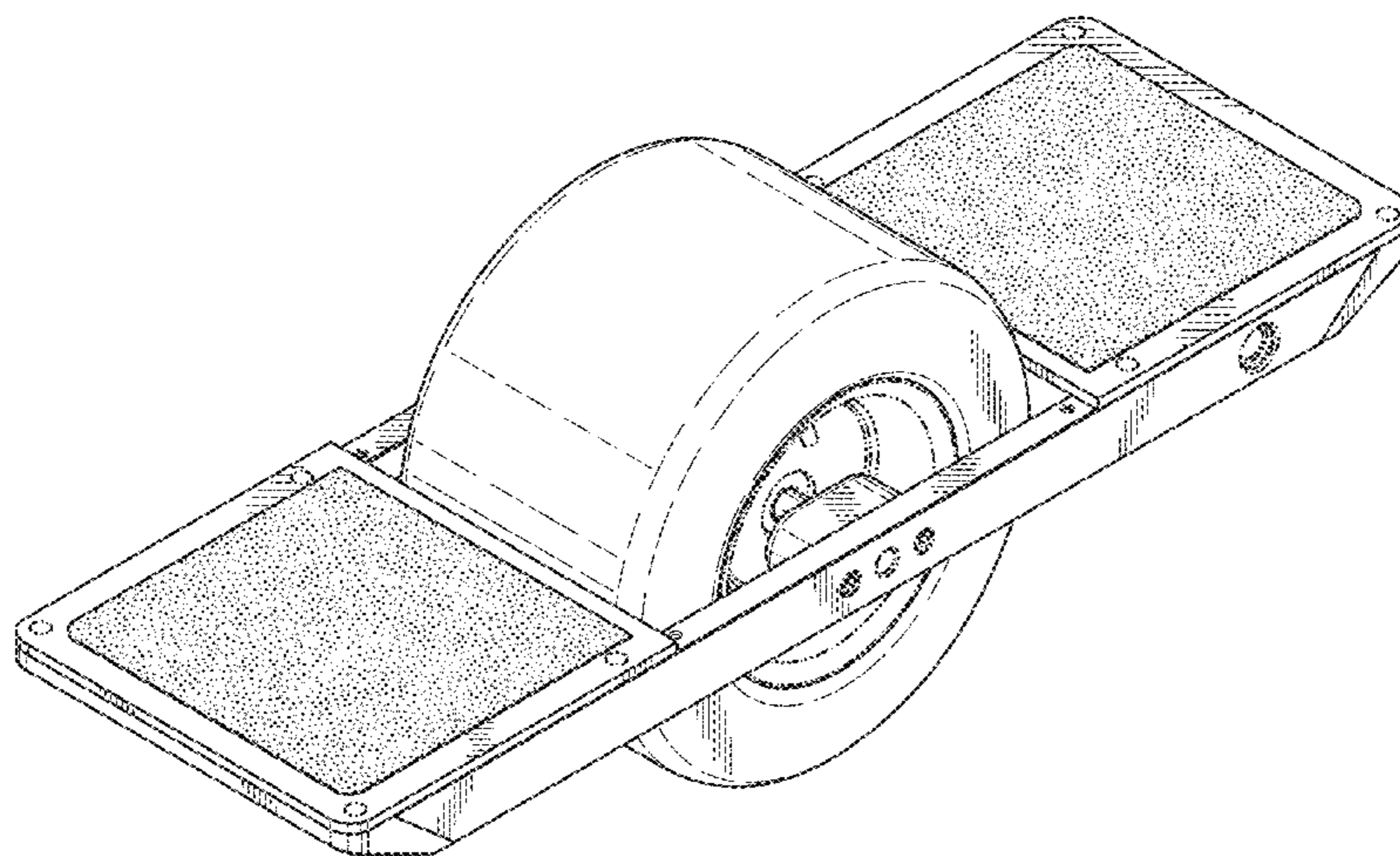
The broken lines shown in the drawings are for illustrative purposes only and form no part of the claimed design.  
 The stippling and shading lines shown in the drawings represent the approximate three-dimensional contour of the design, and are not intended to indicate surface decoration.

**1 Claim, 3 Drawing Sheets**

(56) **References Cited**

U.S. PATENT DOCUMENTS

D233,619	S *	11/1974	Kelling .....	D21/763
4,106,786	A *	8/1978	Talbott .....	280/87.042
5,119,277	A	6/1992	Copley et al.	
5,794,730	A	8/1998	Kamen	
6,223,104	B1	4/2001	Kamen et al.	
6,288,505	B1	9/2001	Heinzmann et al.	



(56)

**References Cited**

U.S. PATENT DOCUMENTS

D624,136 S *	9/2010	Chen .....	D21/760	8,170,780 B2	5/2012	Field et al.	
7,811,217 B2	10/2010	Odien		8,308,171 B2 *	11/2012	Farrelly .....	280/11.27
7,857,088 B2	12/2010	Field et al.		8,467,941 B2	6/2013	Field et al.	
7,900,725 B2	3/2011	Heinzmann et al.		8,490,723 B2	7/2013	Heinzmann et al.	
7,962,256 B2	6/2011	Stevens et al.		8,562,386 B2 *	10/2013	Carlson et al. ....	446/462
7,963,352 B2	6/2011	Alexander		D704,786 S *	5/2014	Tang .....	D21/765
7,979,179 B2	7/2011	Gansler		2005/0241864 A1	11/2005	Hiramatsu	
8,146,696 B2	4/2012	Kaufman		2006/0012141 A1 *	1/2006	Bouvet .....	280/87.042
				2007/0254789 A1	11/2007	Odien	
				2010/0330876 A1 *	12/2010	Carlson et al. ....	446/462

\* cited by examiner

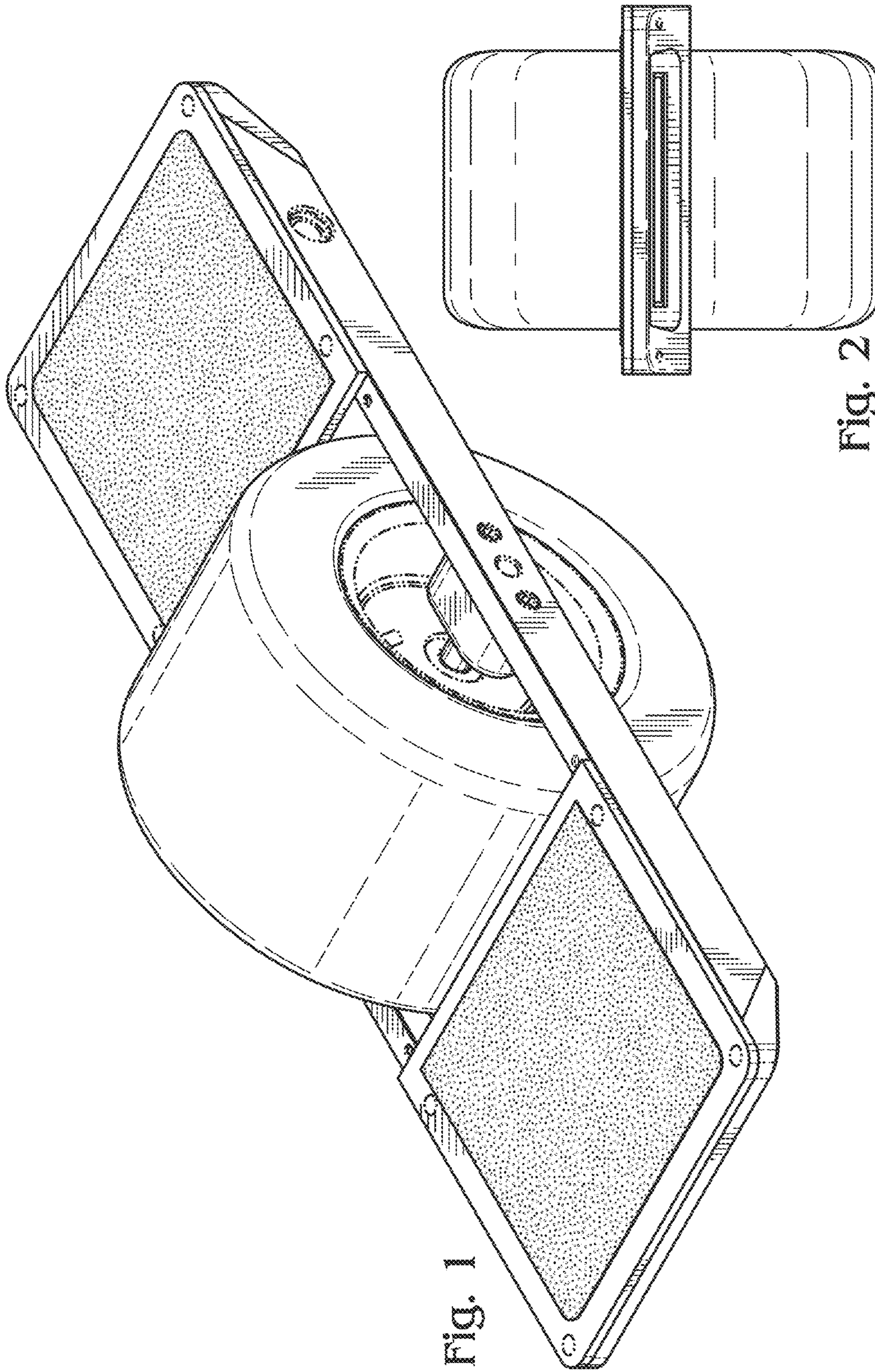


FIG. 1

FIG. 2

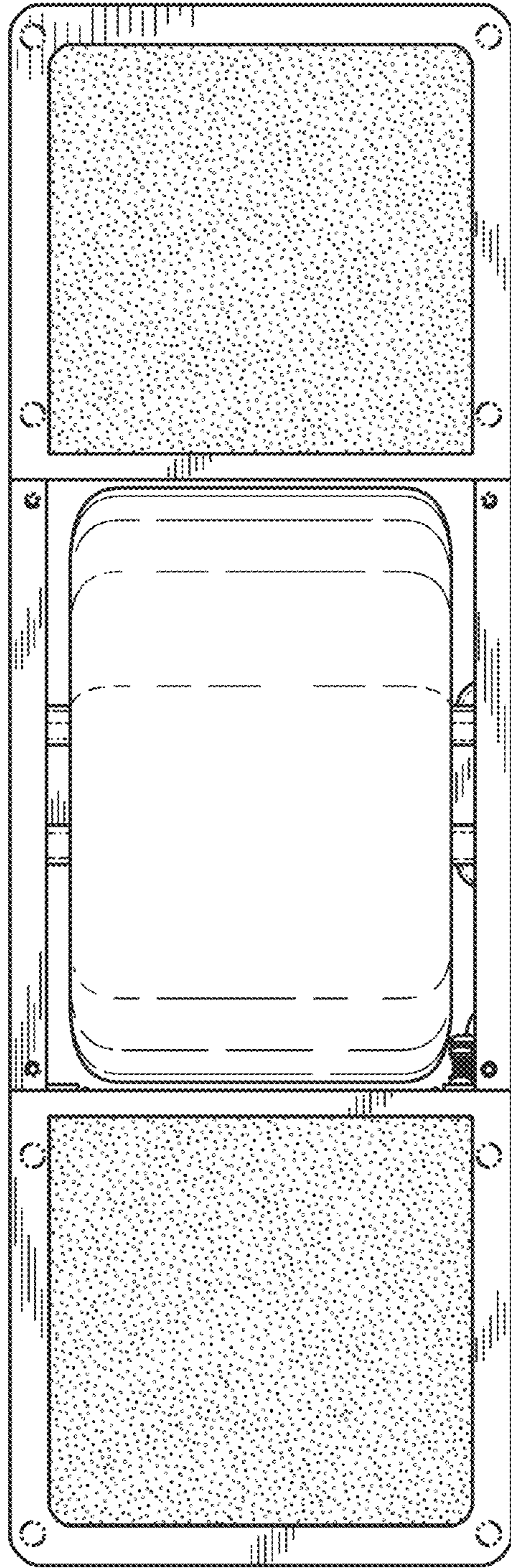


Fig. 3

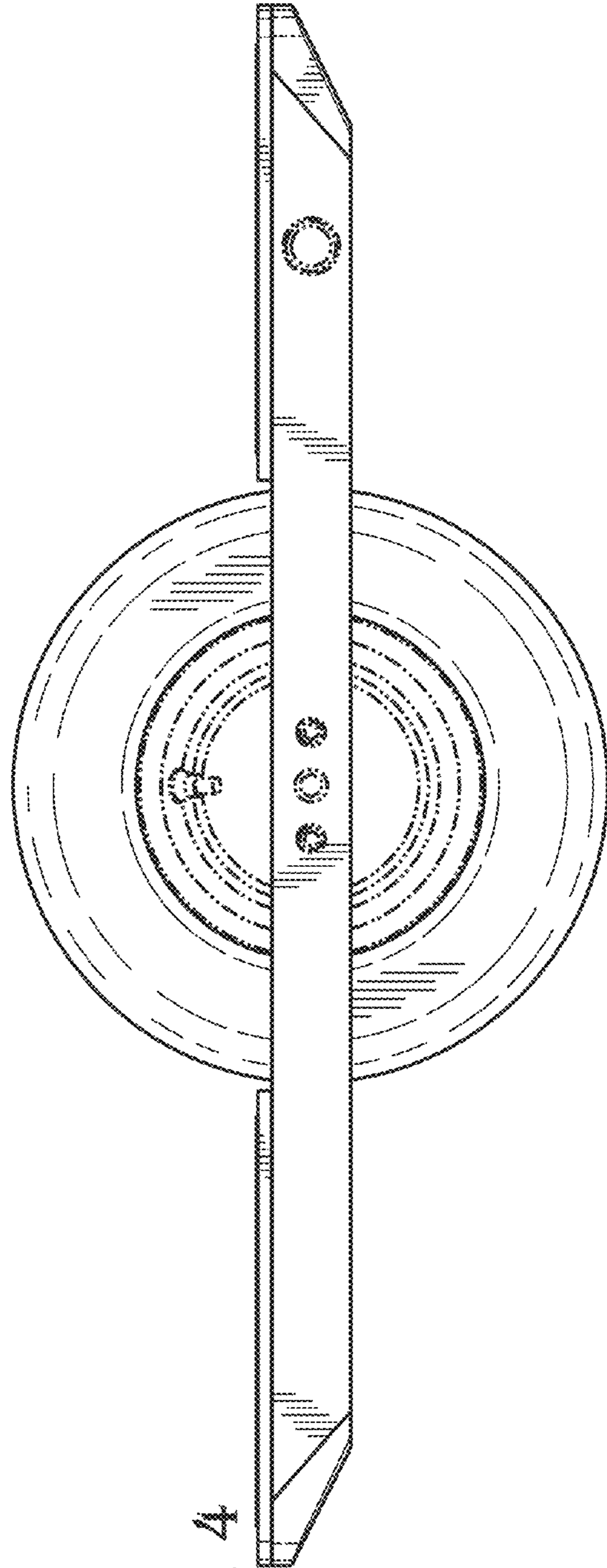


Fig. 4

