



US00D746922S

(12) **United States Design Patent**
Chu

(10) **Patent No.:** **US D746,922 S**
(45) **Date of Patent:** **** Jan. 5, 2016**

- (54) **PEN WITH SEAT BELT CUTTER**
- (71) Applicant: **Taylor Brands, LLC**, Kingsport, TN (US)
- (72) Inventor: **Jiun-Yu Chu**, New Taipei (TW)
- (73) Assignee: **Taylor Brands, LLC**, Kingsport, TN (US)
- (**) Term: **14 Years**

D541,859	S *	5/2007	Stollery et al.	D19/199
7,287,925	B2	10/2007	Barker		
D582,980	S *	12/2008	Price	D19/171
7,607,849	B2	10/2009	Barker		
8,016,505	B2	9/2011	Zekaj		
D647,562	S *	10/2011	Chu	D19/184
D652,081	S *	1/2012	Chu	D19/163
8,348,539	B2 *	1/2013	Chu et al.	401/195
D685,848	S *	7/2013	Chu	D19/168
D689,934	S *	9/2013	Chu	D19/179
D692,480	S *	10/2013	Chu et al.	D19/123
D724,408	S *	3/2015	Hicks	D8/98
8,967,899	B1 *	3/2015	Chu et al.	401/195
2004/0036194	A1 *	2/2004	Chadwick et al.	264/250

- (21) Appl. No.: **29/497,365**
- (22) Filed: **Jul. 23, 2014**
- (51) **LOC (10) Cl.** **19-06**
- (52) **U.S. Cl.**
USPC **D19/123**; D19/906; D19/916
- (58) **Field of Classification Search**
USPC D8/98, 99; D14/411; D19/115-204;
D28/7; D10/119.3, 119.4
CPC B43K 5/005; B43K 7/00; B43K 7/01;
B43K 7/10; B43K 7/12; B43K 19/00; B43K
19/02; B43K 8/04
See application file for complete search history.

OTHER PUBLICATIONS

Pen w/Envelope Opener; item No. PWC775757; <http://www.promo-wholesale.com/china/Openers/6/Pen-W--Envelope-O>, Jun. 20, 2014.

* cited by examiner

Primary Examiner — Elizabeth Albert
(74) *Attorney, Agent, or Firm* — Luedeka Neely Group, PC

(57) **CLAIM**
The ornamental design for a pen with seat belt cutter, as shown and described.

(56) **References Cited**

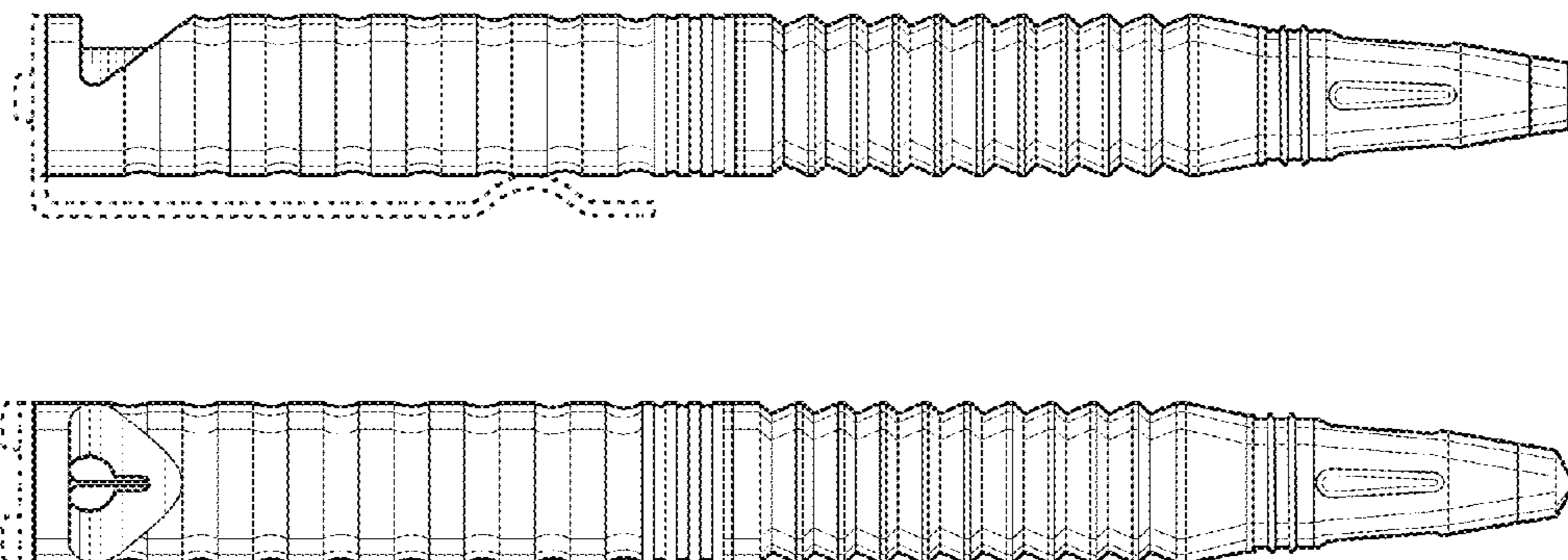
U.S. PATENT DOCUMENTS

471,283	A	3/1892	Volk et al.		
D31,997	S *	12/1899	Estes	D9/502
844,770	A	2/1907	Bauer		
1,374,882	A	4/1921	Curtis		
3,249,091	A	5/1966	Griesbach		
D256,925	S	9/1980	Postrehovsky-Axel		
D301,513	S *	6/1989	Wright	D22/117
D329,873	S *	9/1992	Tu	D19/163
D344,037	S *	2/1994	Parsons	D10/119.3
6,065,169	A	5/2000	Cheldin		
6,163,910	A	12/2000	Cheldin		
D465,808	S *	11/2002	Deluca et al.	D19/170
D499,140	S *	11/2004	Katami	D19/121
6,846,123	B1	1/2005	Bedford		
D508,641	S *	8/2005	Uchida	D8/61

DESCRIPTION

FIG. 1 is a perspective view of a pen with seat belt cutter showing my new design;
FIG. 2 is a right side elevation view of FIG. 1;
FIG. 3 is a left side elevation view of FIG. 1;
FIG. 4 is a top elevation view of FIG. 1;
FIG. 5 is a bottom elevation view of FIG. 1;
FIG. 6 is a rear end view of FIG. 1;
FIG. 7 is a front end of FIG. 1; and,
FIG. 8 is an exploded view thereof.
The broken lines in the drawings are included for the purpose of illustrating unclaimed features and form no part of the claimed design.

1 Claim, 5 Drawing Sheets



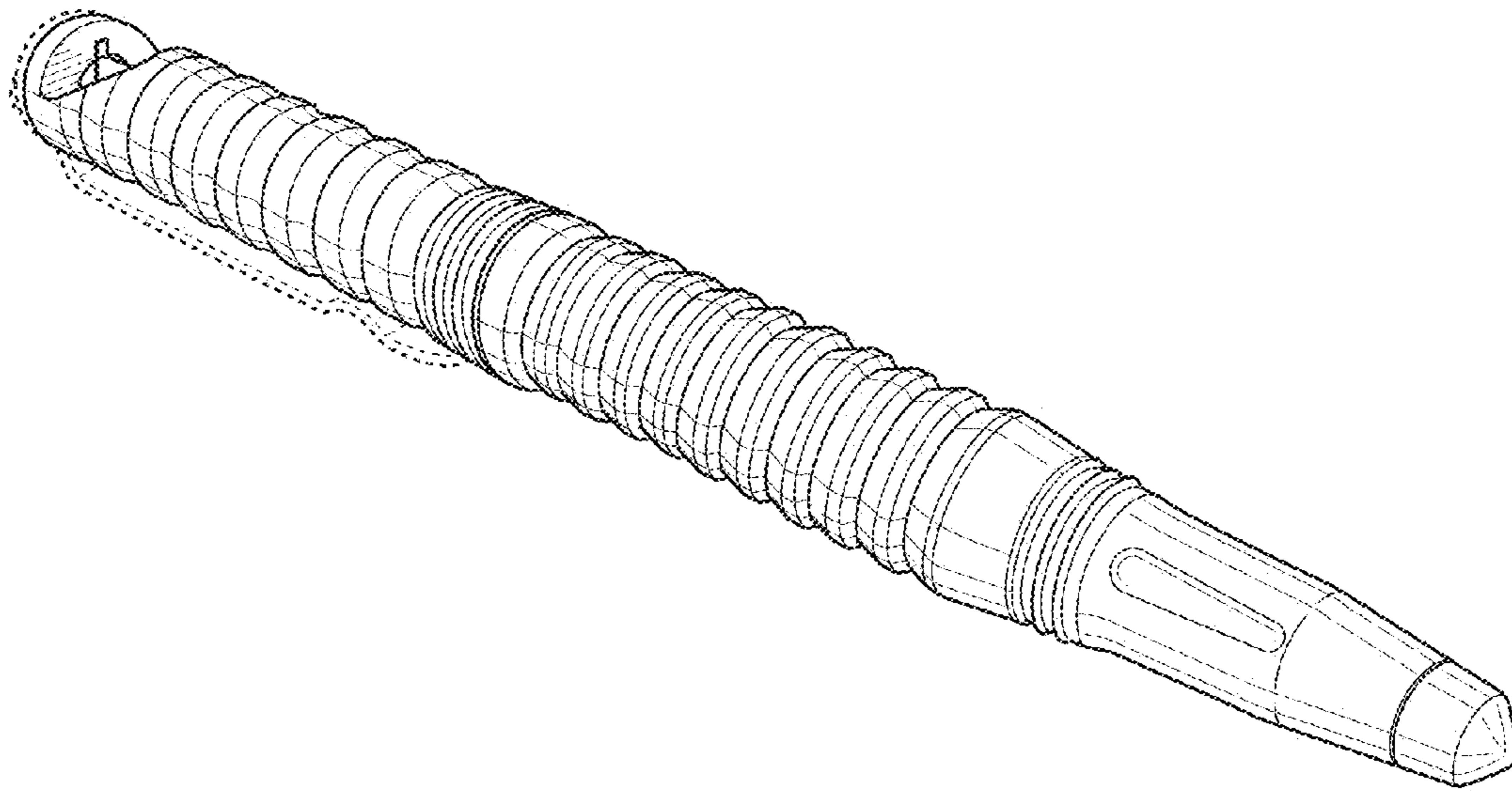


FIG. 1

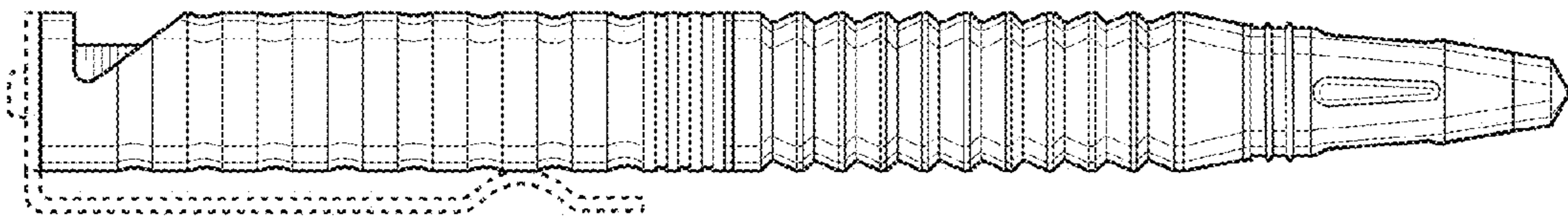


FIG. 2

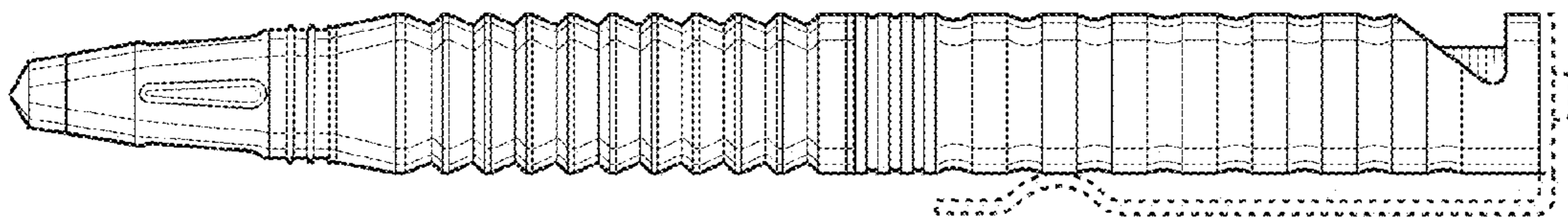


FIG. 3

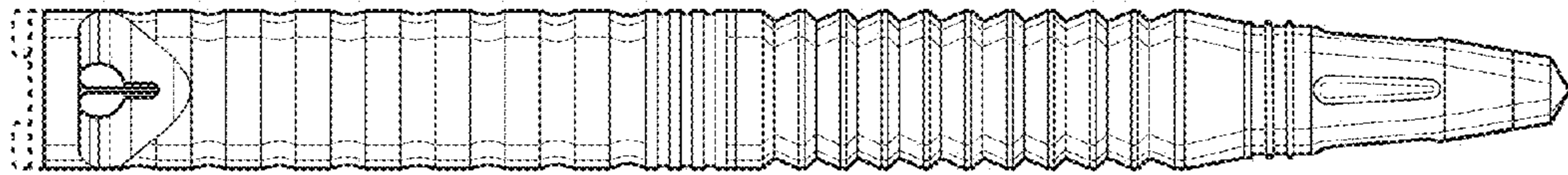


FIG. 4

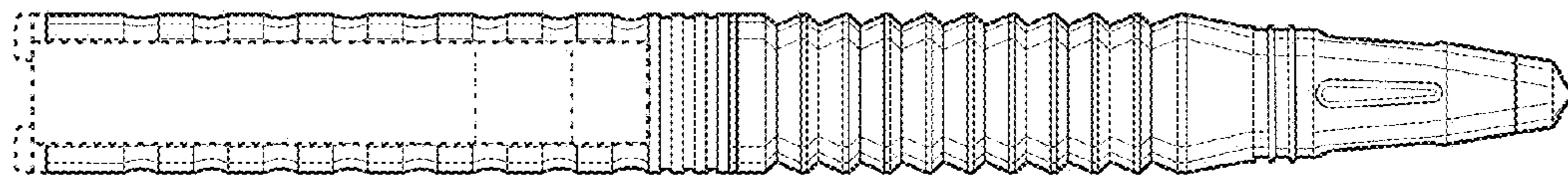


FIG. 5



FIG. 6

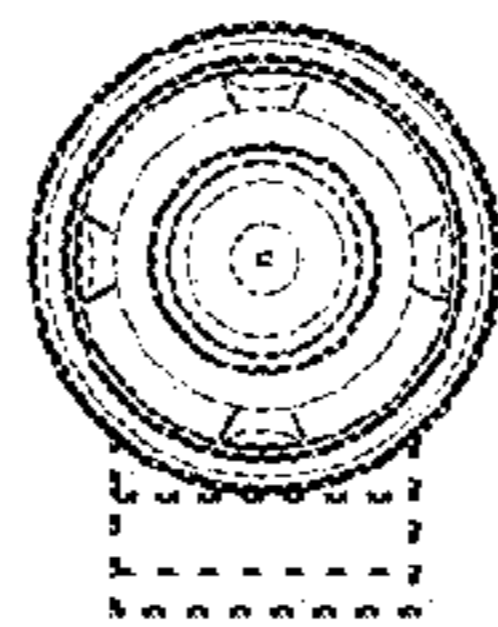


FIG. 7

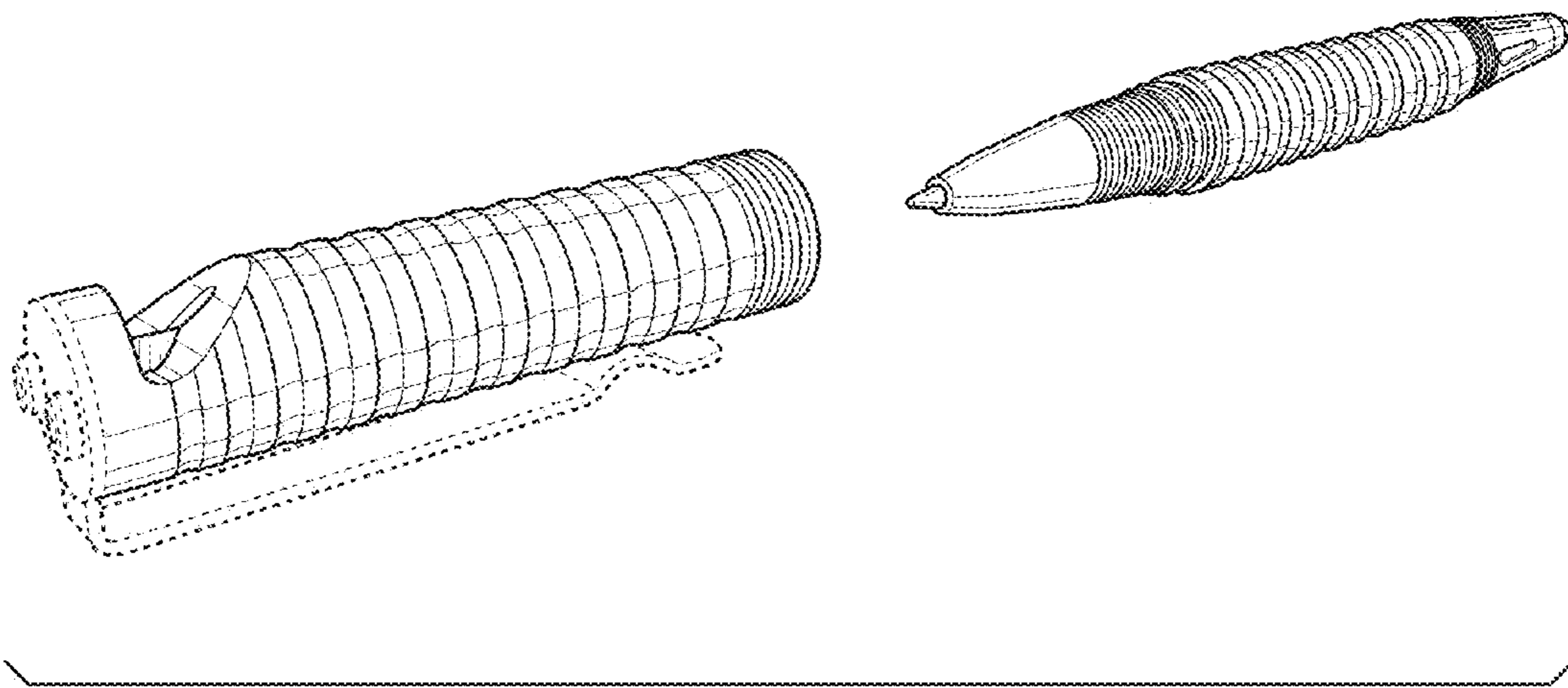


FIG. 8