



US00D746905S

(12) **United States Design Patent**  
**Kitagawa et al.**

(10) **Patent No.:** **US D746,905 S**  
(45) **Date of Patent:** **\*\* Jan. 5, 2016**

(54) **TONER CARTRIDGE**

(71) Applicant: **KYOCERA Document Solutions Inc.,**  
Osaka (JP)

(72) Inventors: **Hiroaki Kitagawa, Osaka (JP); Takashi**  
**Morita, Osaka (JP)**

(73) Assignee: **KYOCERA Document Solutions Inc.,**  
Osaka (JP)

(\*\*) Term: **14 Years**

(21) Appl. No.: **29/504,862**

(22) Filed: **Oct. 10, 2014**

(30) **Foreign Application Priority Data**

Apr. 10, 2014 (JP) ..... 2014-007887

(51) **LOC (10) Cl.** ..... **16-03**

(52) **U.S. Cl.**  
USPC ..... **D18/43**

(58) **Field of Classification Search**  
USPC ..... D18/18, 40, 43, 56, 99  
CPC ..... G03G 15/0832; G03G 15/0834; G03G  
15/0836; G03G 15/0837; G03G 15/0867;  
G03G 15/0868; G03G 15/0872; G03G  
15/0877; G03G 15/0898; G03G 15/50;  
G03G 15/5016; G03G 15/60; G03G 15/65

See application file for complete search history.

(56) **References Cited**

U.S. PATENT DOCUMENTS

D379,829 S *	6/1997	Hayashi	.....	D18/43
D442,624 S *	5/2001	Maeshima	.....	D18/43
D471,228 S *	3/2003	Okabe	.....	D18/43
D524,849 S *	7/2006	Komai	.....	D18/43
D647,557 S *	10/2011	Iketani	.....	D18/43
D647,558 S *	10/2011	Eto	.....	D18/43

\* cited by examiner

*Primary Examiner* — Daniel Bui

*Assistant Examiner* — Khawaja Anwar

(74) *Attorney, Agent, or Firm* — Young & Thompson

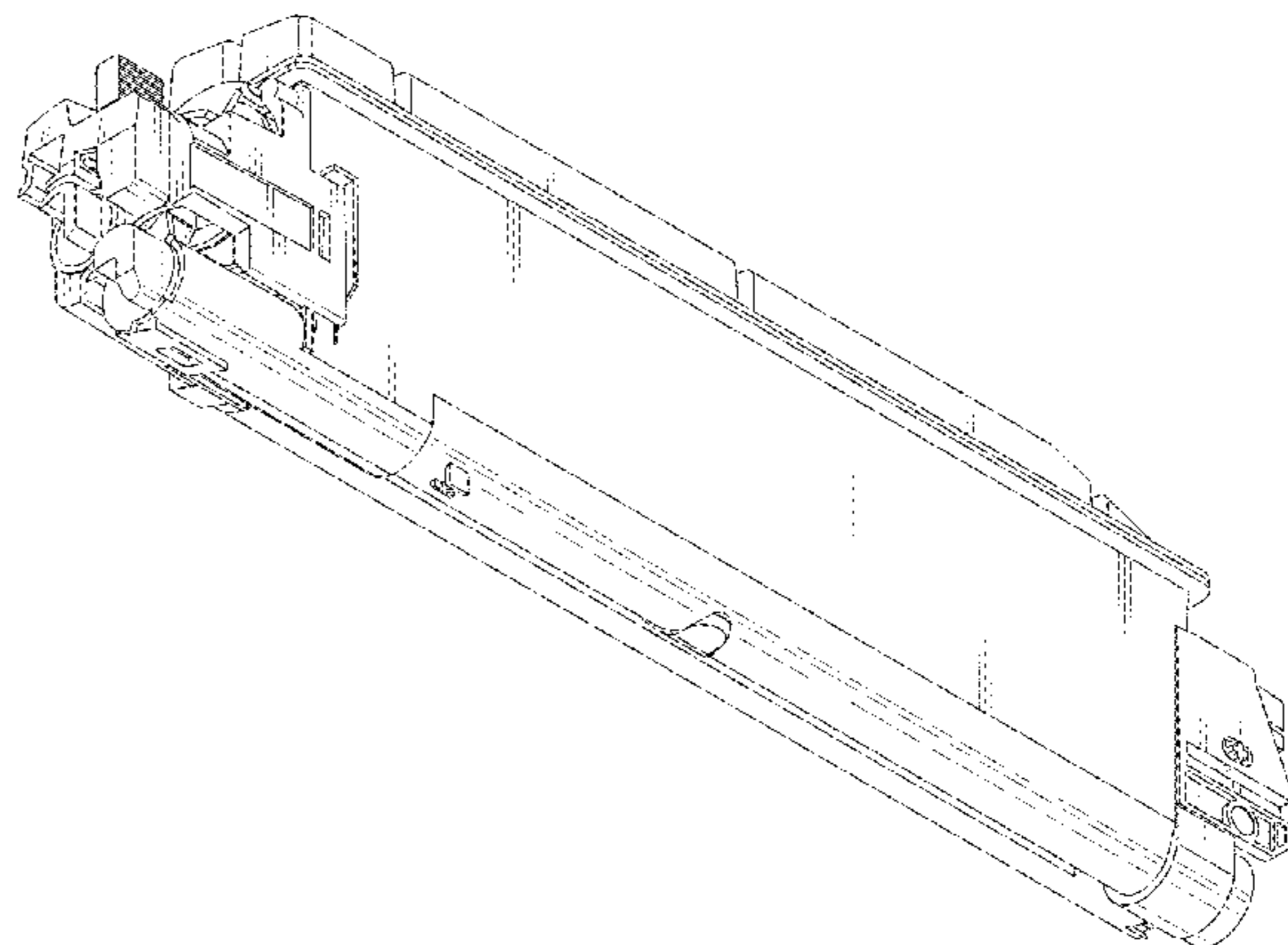
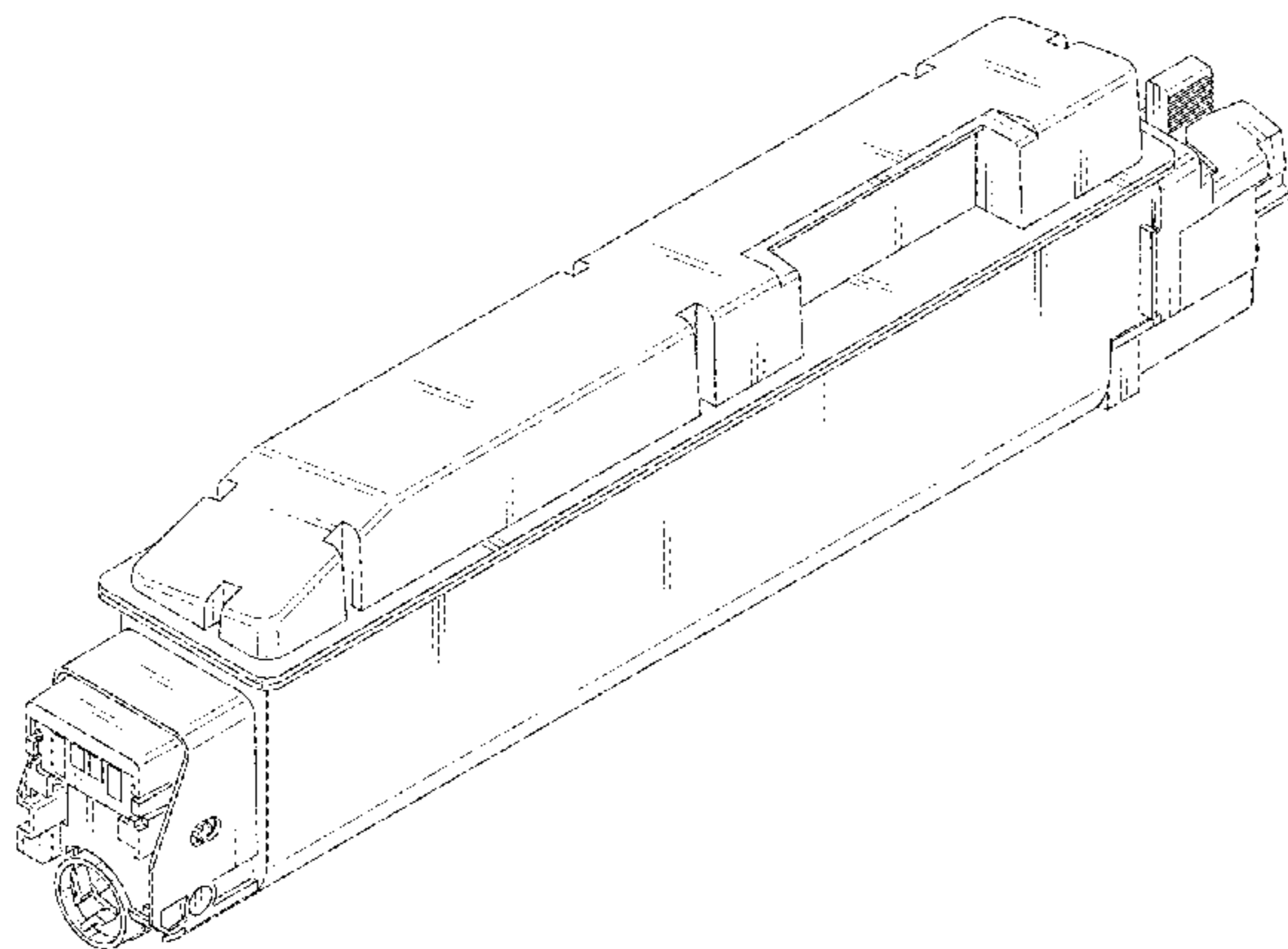
(57) **CLAIM**

The ornamental design for a toner cartridge, as shown and described.

**DESCRIPTION**

FIG. 1 is a perspective view of front, left and top of toner cartridge, showing our new design;  
FIG. 2 is a perspective view of rear, right and bottom thereof;  
FIG. 3 is a front view thereof;  
FIG. 4 is a rear view thereof;  
FIG. 5 is a left side view thereof;  
FIG. 6 is a right side view thereof;  
FIG. 7 is a top view thereof; and,  
FIG. 8 is a bottom view thereof.

**1 Claim, 5 Drawing Sheets**



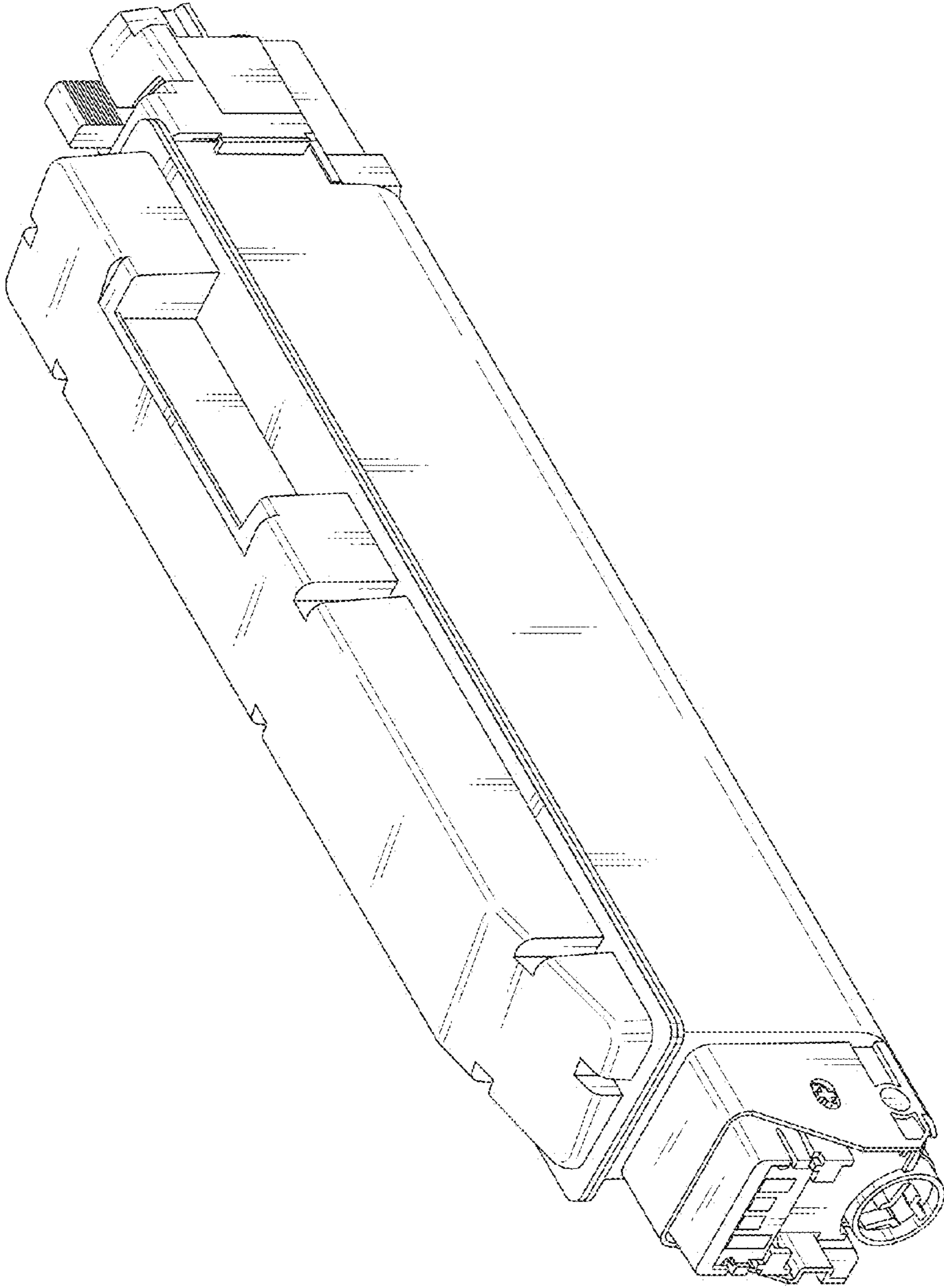


Fig. 1

Fig. 2

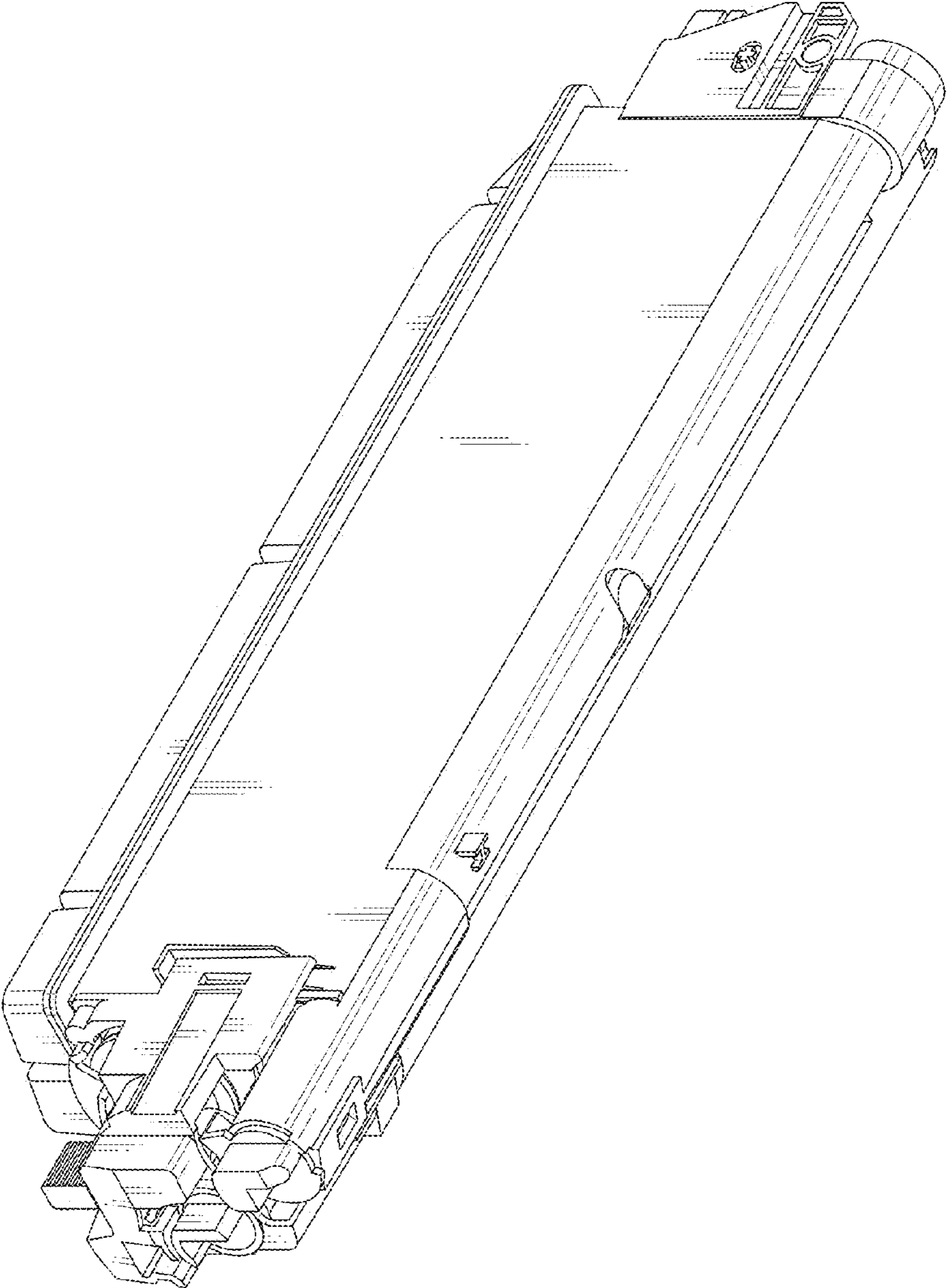


Fig. 3

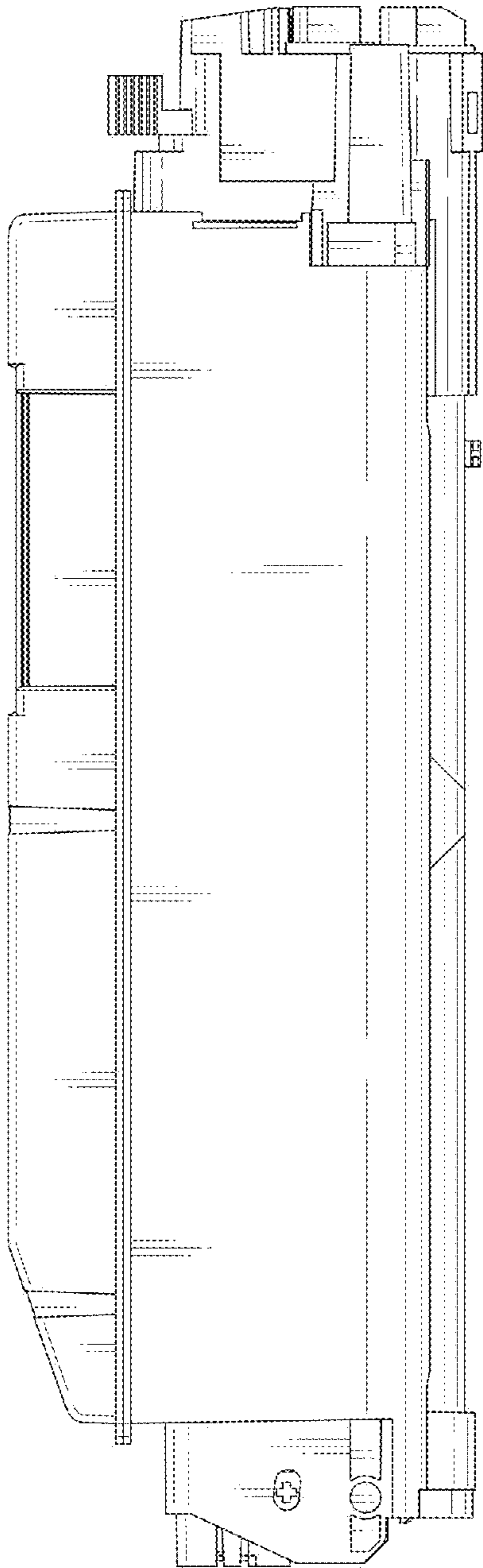


Fig. 4

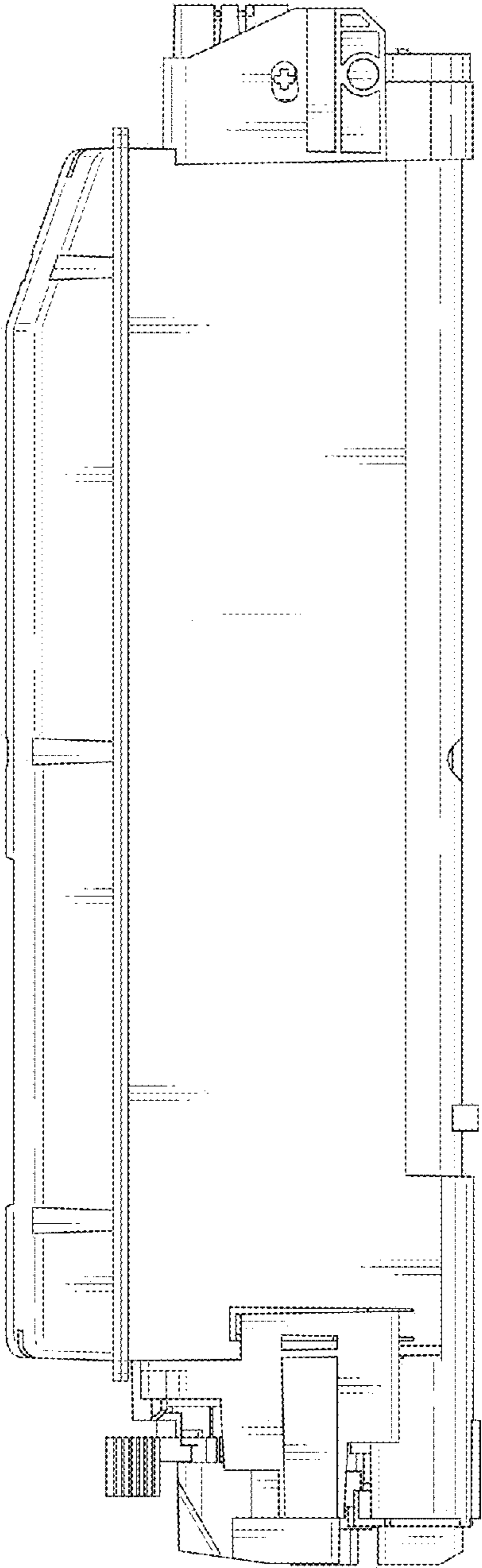




Fig. 6

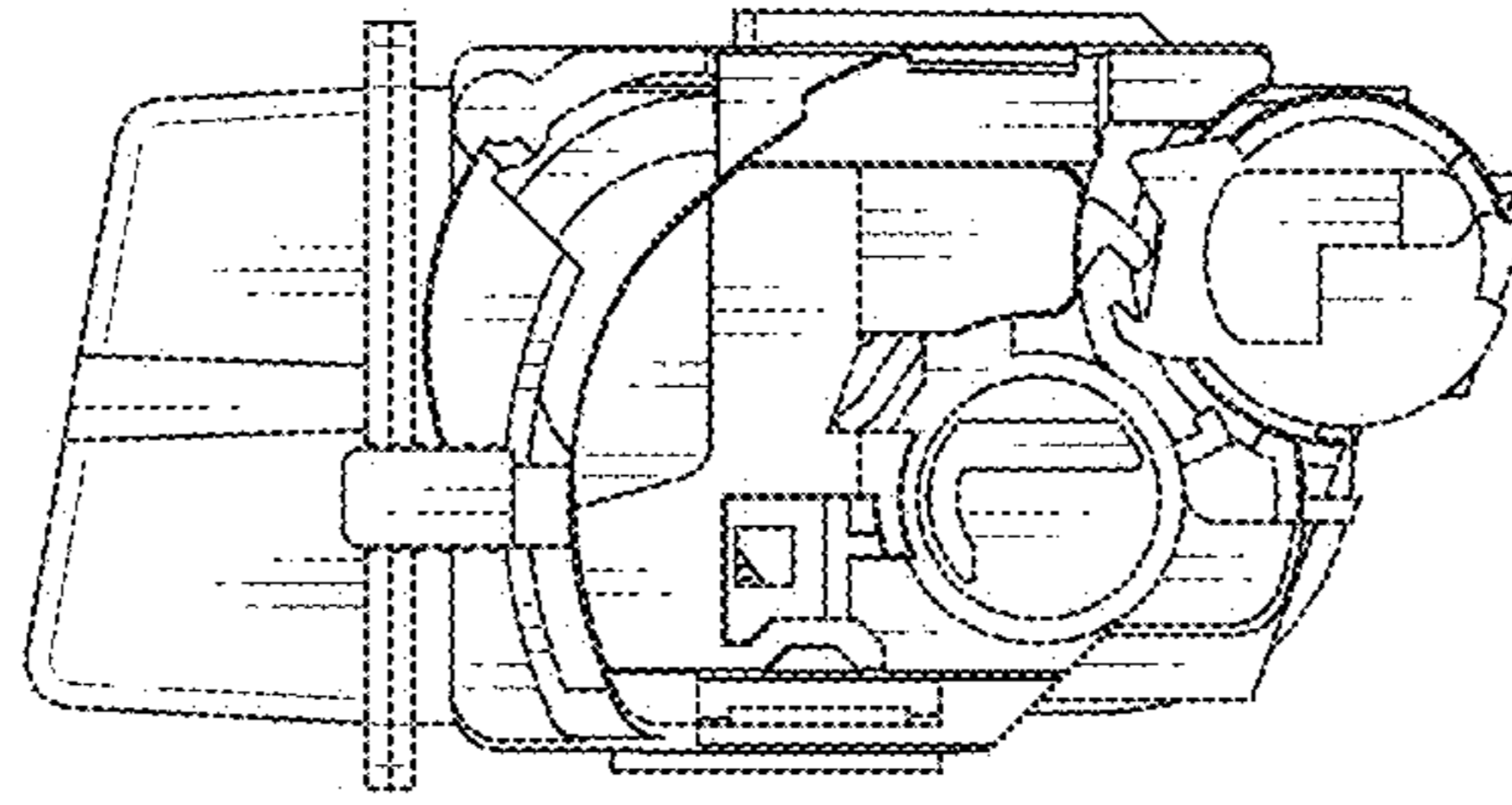


Fig. 5

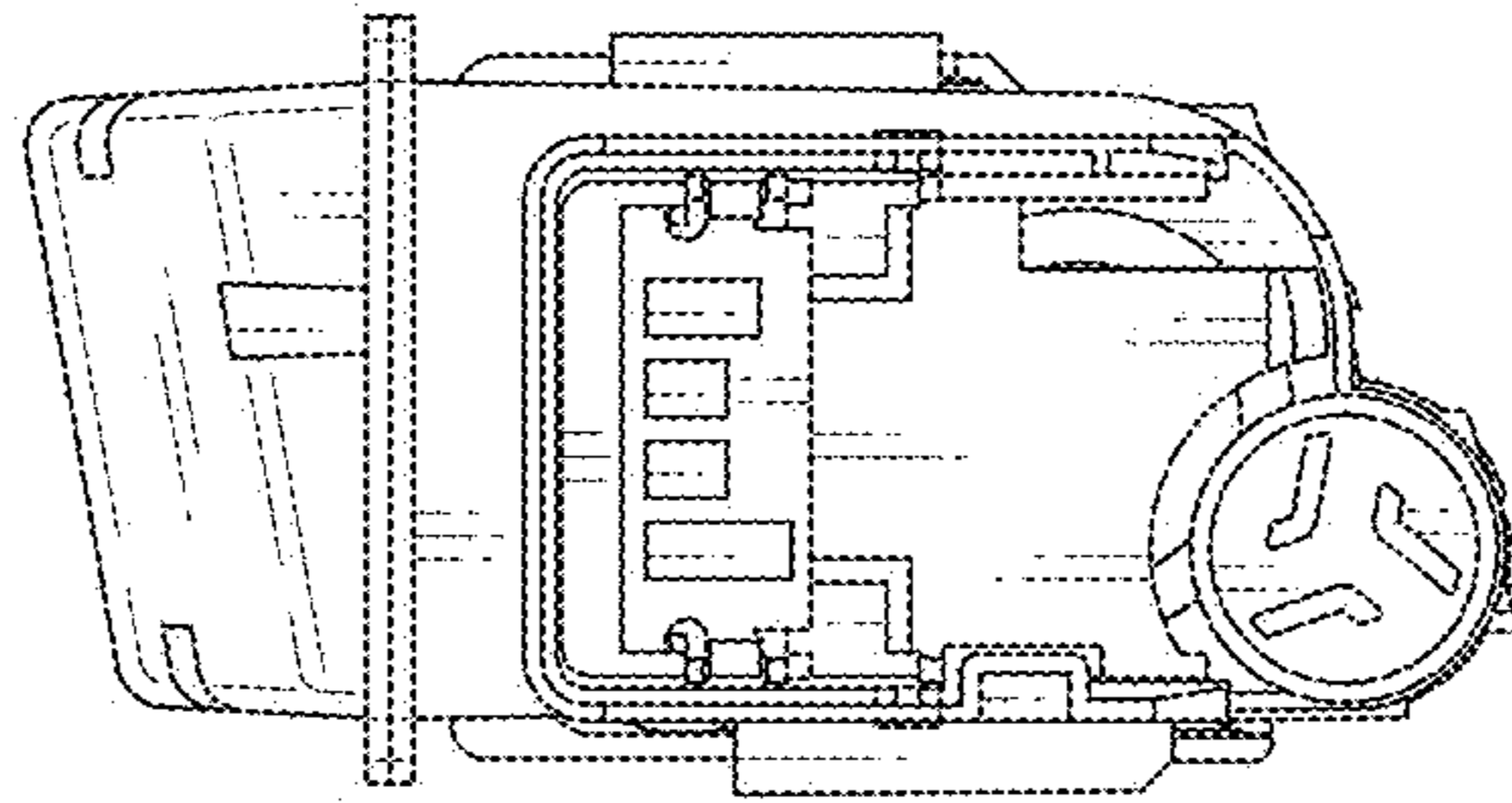


Fig. 7

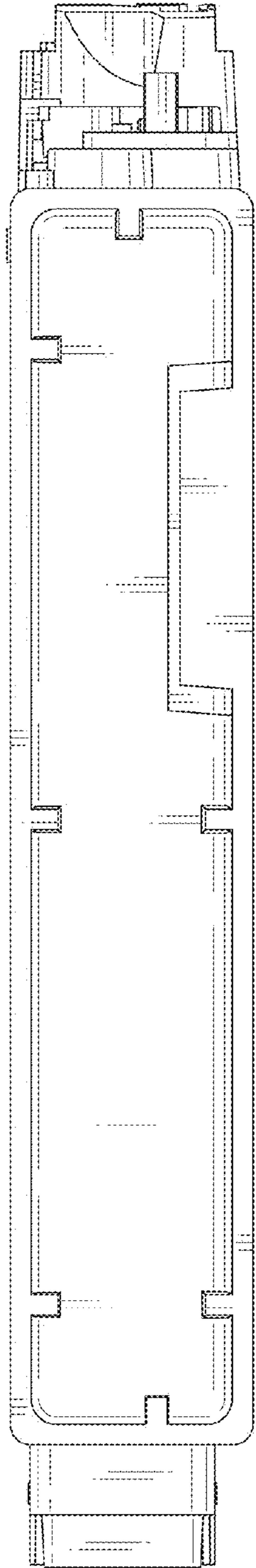


Fig. 8

