



US00D746902S

(12) **United States Design Patent**
Lyons et al.

(10) **Patent No.:** **US D746,902 S**
(45) **Date of Patent:** **** Jan. 5, 2016**

(54) **COMBINED POINT-OF-SALE DEVICE AND STAND**

(71) Applicant: **FIRST DATA CORPORATION**,
Greenwood Village, CO (US)

(72) Inventors: **David Frederick Lyons**, Palo Alto, CA
(US); **Christopher Loew**, Palo Alto, CA
(US); **Leonard Speiser**, Mountain View,
CA (US); **John Beatty**, Mountain View,
CA (US); **Eric Fuhs**, Mountain View,
CA (US)

(73) Assignee: **First Data Corporation**, Greenwood
Village, CO (US)

(**) Term: **14 Years**

(21) Appl. No.: **29/469,222**

(22) Filed: **Oct. 8, 2013**

(51) **LOC (10) Cl.** **18-01**

(52) **U.S. Cl.**
USPC **D18/4.5**; D18/4.6

(58) **Field of Classification Search**
USPC D14/336, 371–376, 387, 126, 377, 378,
D14/379, 381, 382, 383, 385, 386, 389, 451,
D14/452; D18/3.1–3.3, 4.1–4.6, 6–8, 11,
D18/12, 12.1–12.3; D21/324, 325, 332;
D99/28, 34–36, 43; 235/1 E, 7 R, 12,
235/22, 33, 51, 52, 2; 705/12, 15–18, 43
See application file for complete search history.

(56) **References Cited**

U.S. PATENT DOCUMENTS

D510,577 S	*	10/2005	Jobs et al.	D14/371
D624,895 S	*	10/2010	Kasuga et al.	D14/126
D635,975 S	*	4/2011	Seo et al.	D14/374
D659,660 S	*	5/2012	Kumano	D14/126
D671,939 S	*	12/2012	Chung	D14/374
D671,940 S	*	12/2012	Kim	D14/374

D682,830 S	*	5/2013	Taunay da Graca	D14/385
			Couto	D14/371
D684,972 S	*	6/2013	Benson et al.	D14/371
D687,821 S	*	8/2013	Lee et al.	D14/341
D692,885 S	*	11/2013	Cruz	D14/385
D698,785 S	*	2/2014	Canizares et al.	D14/341
D700,605 S	*	3/2014	Hong	D14/341
D702,230 S	*	4/2014	Toh et al.	D14/341
D707,288 S	*	6/2014	Branck et al.	D18/4.6
2005/0156024 A1	*	7/2005	Ichikawa et al.	235/379
2012/0145787 A1	*	6/2012	Lin	235/439

* cited by examiner

Primary Examiner — Carla Jobe Wright

Assistant Examiner — Holly E Thurman

(74) *Attorney, Agent, or Firm* — Sutherland Asbill &
Brennan LLP

(57) **CLAIM**

The ornamental design for a combined point-of-sale device and stand, as shown and described.

DESCRIPTION

FIG. 1 is a front-left perspective view of a combined point-of-sale device and stand showing our new design in a first configuration with the display unit portion in landscape orientation;

FIG. 2 is a top plan view thereof;

FIG. 3 is a front view thereof;

FIG. 4 is a left side view thereof;

FIG. 5 is a front-left perspective view of a second configuration of the combined point-of-sale device and stand showing the display unit portion in portrait orientation;

FIG. 6 is a top plan view thereof;

FIG. 7 is a front view thereof;

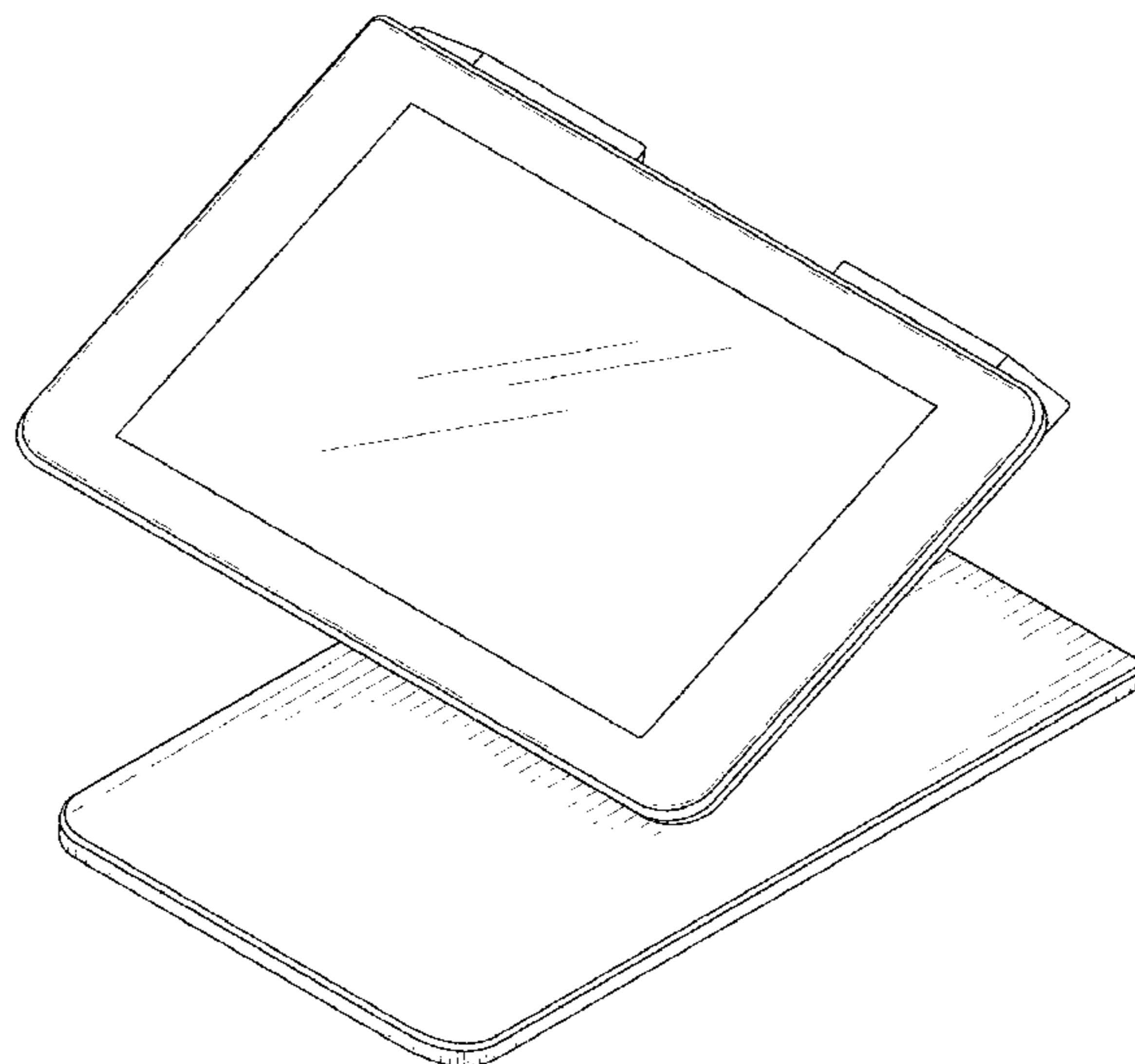
FIG. 8 is a left side view thereof;

FIG. 9 is a right side view thereof; and,

FIG. 10 is a right side perspective view thereof.

The claimed combined point-of-sale device and stand is used to process transactions.

1 Claim, 10 Drawing Sheets



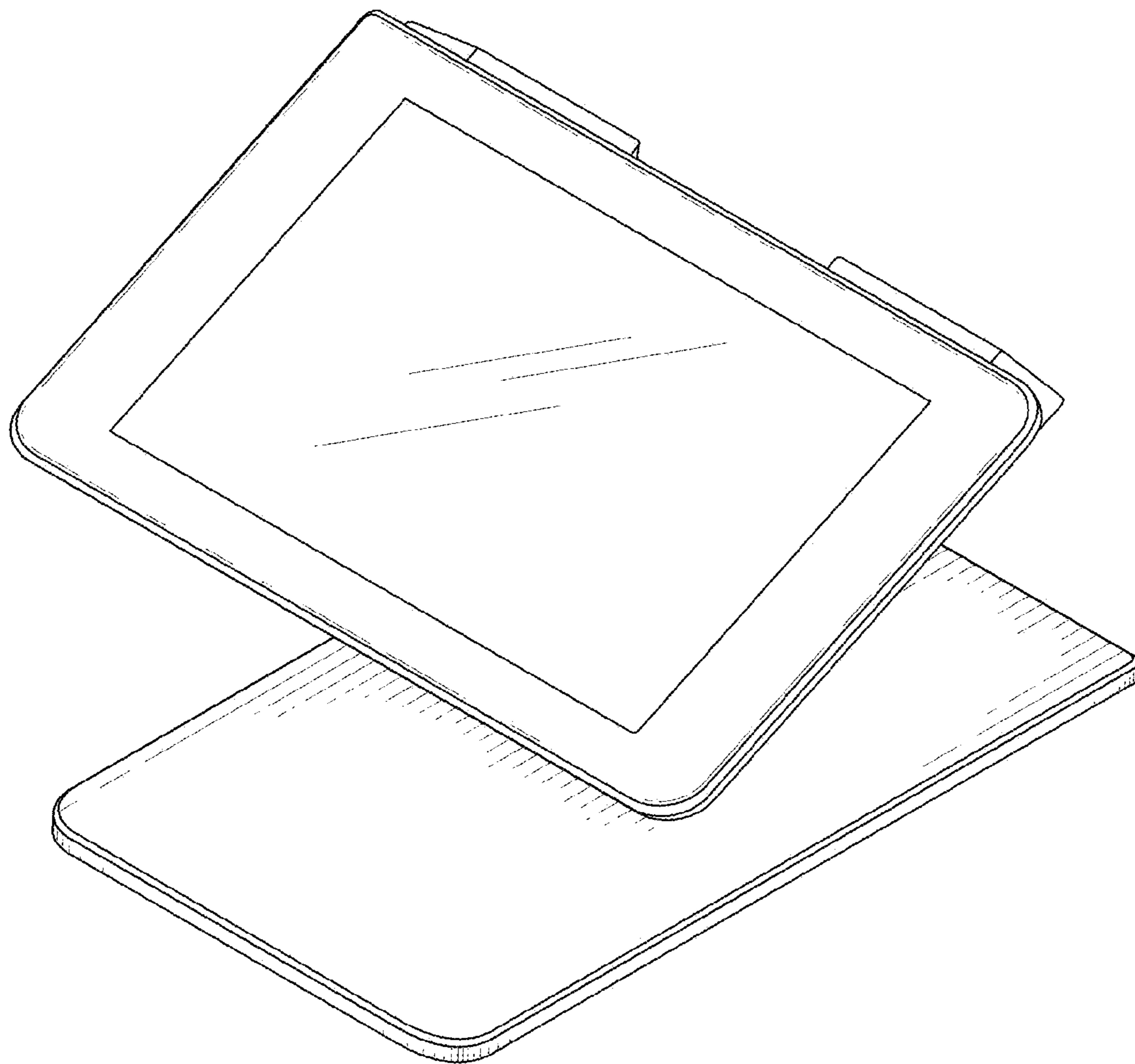


FIG. 1

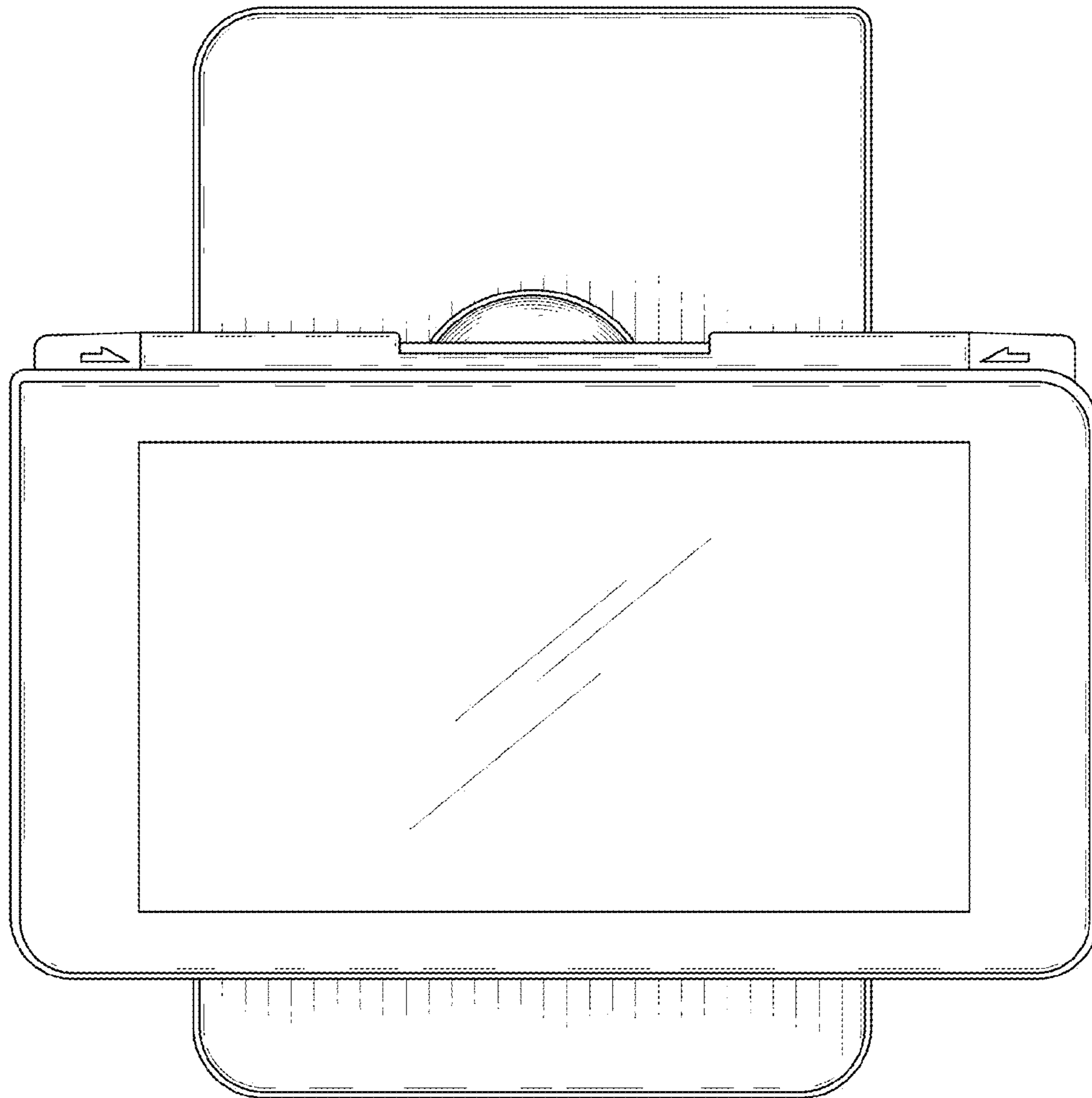


FIG. 2

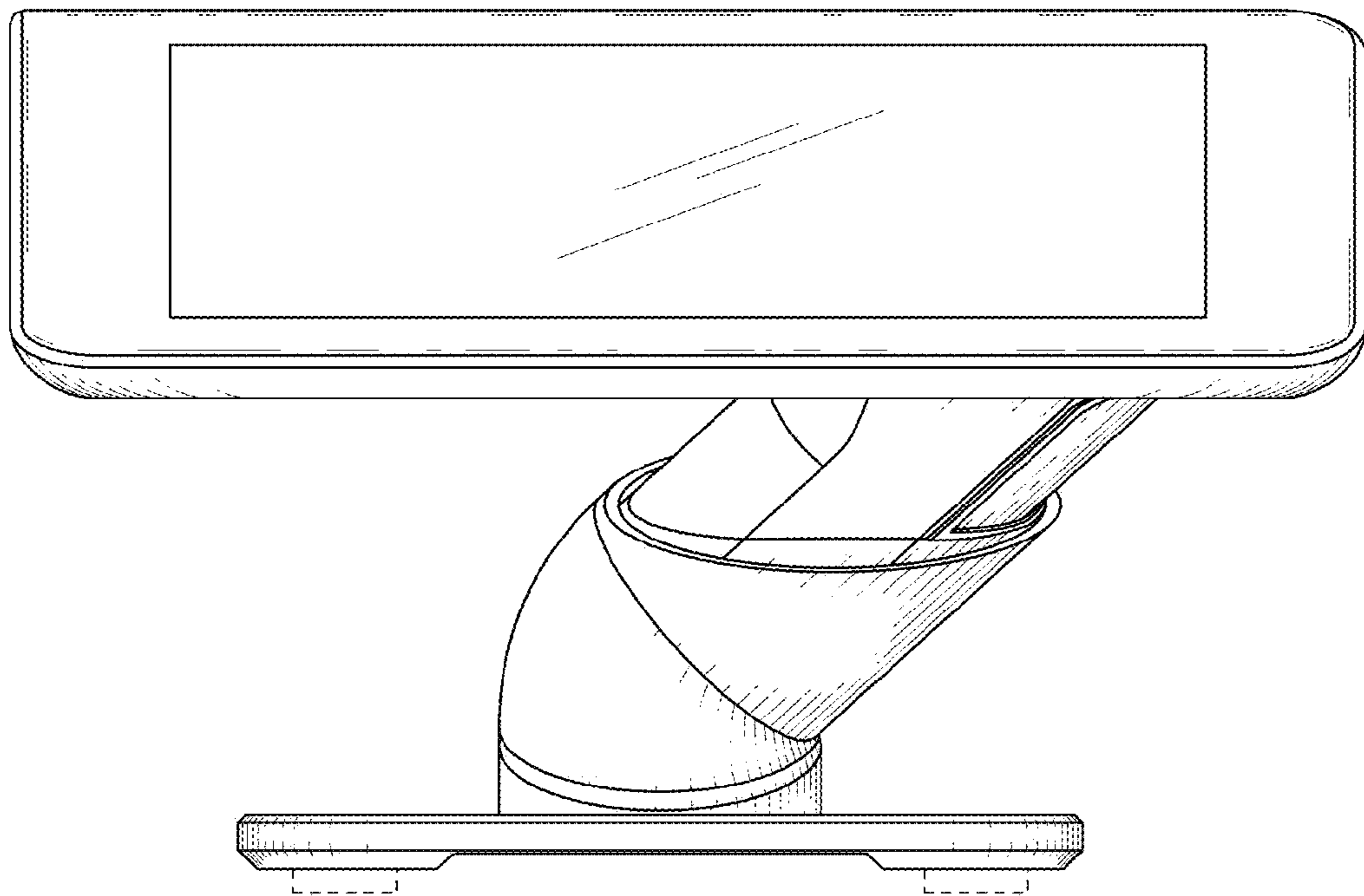


FIG. 3

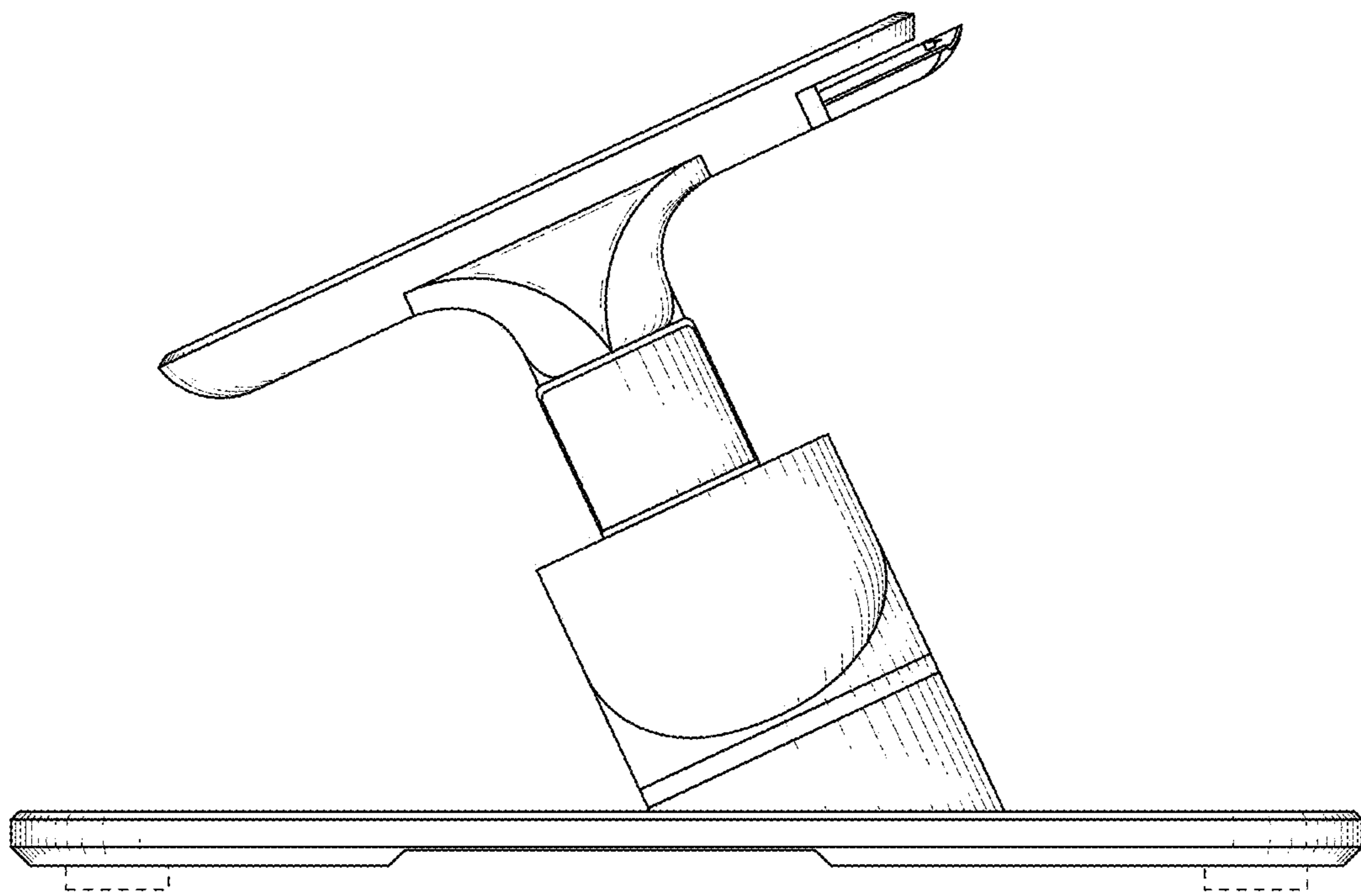


FIG. 4

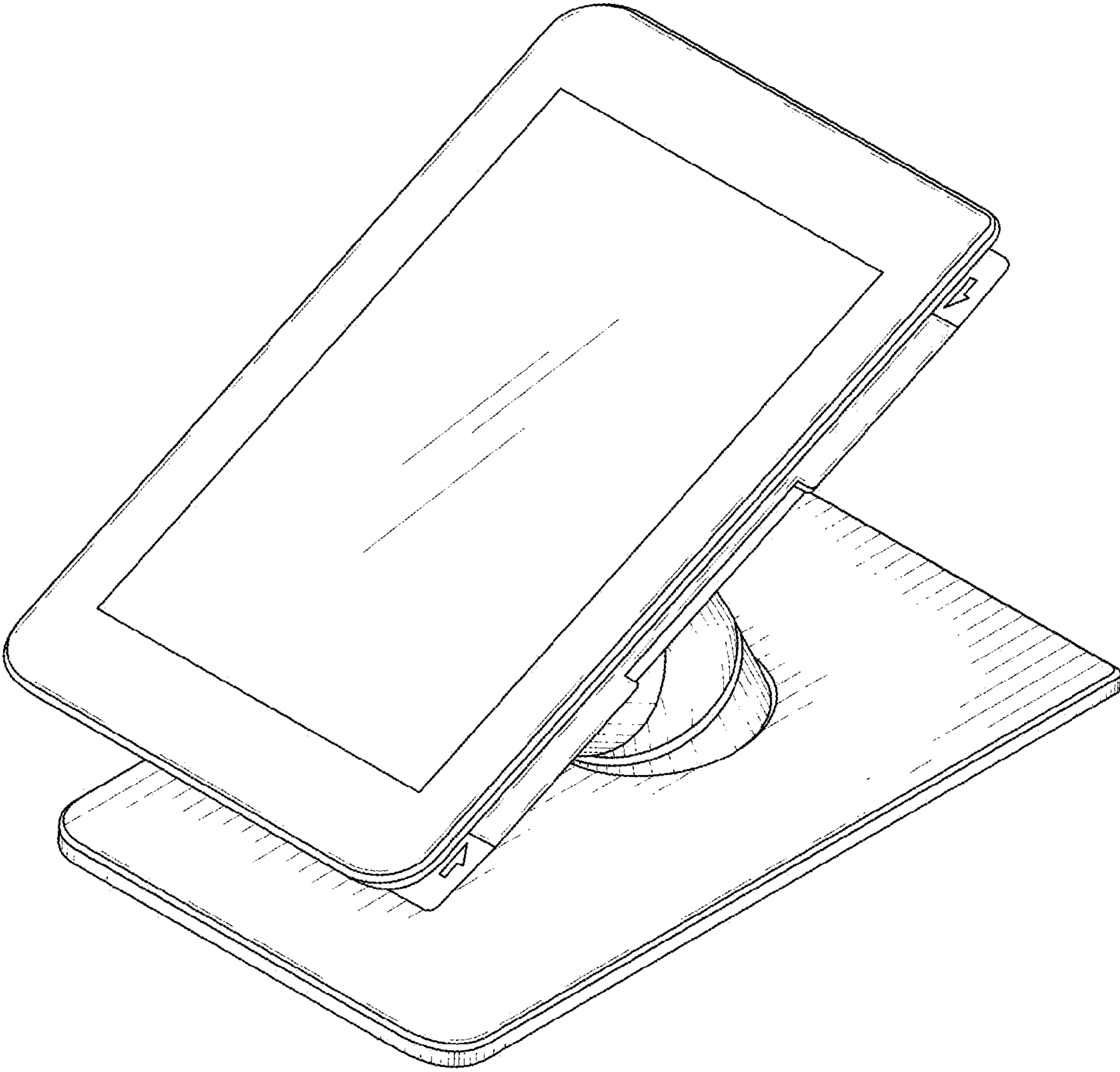


FIG. 5

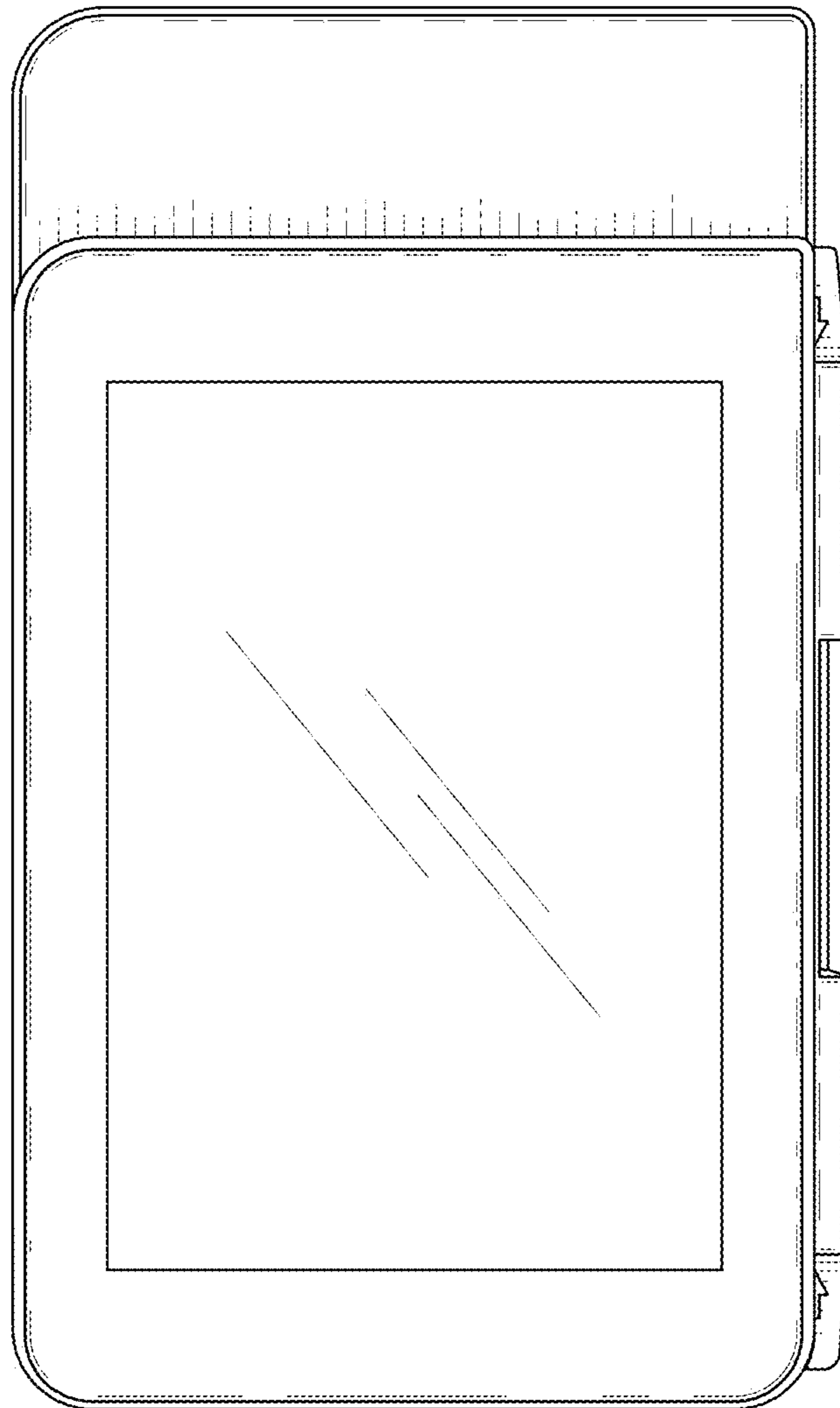


FIG. 6

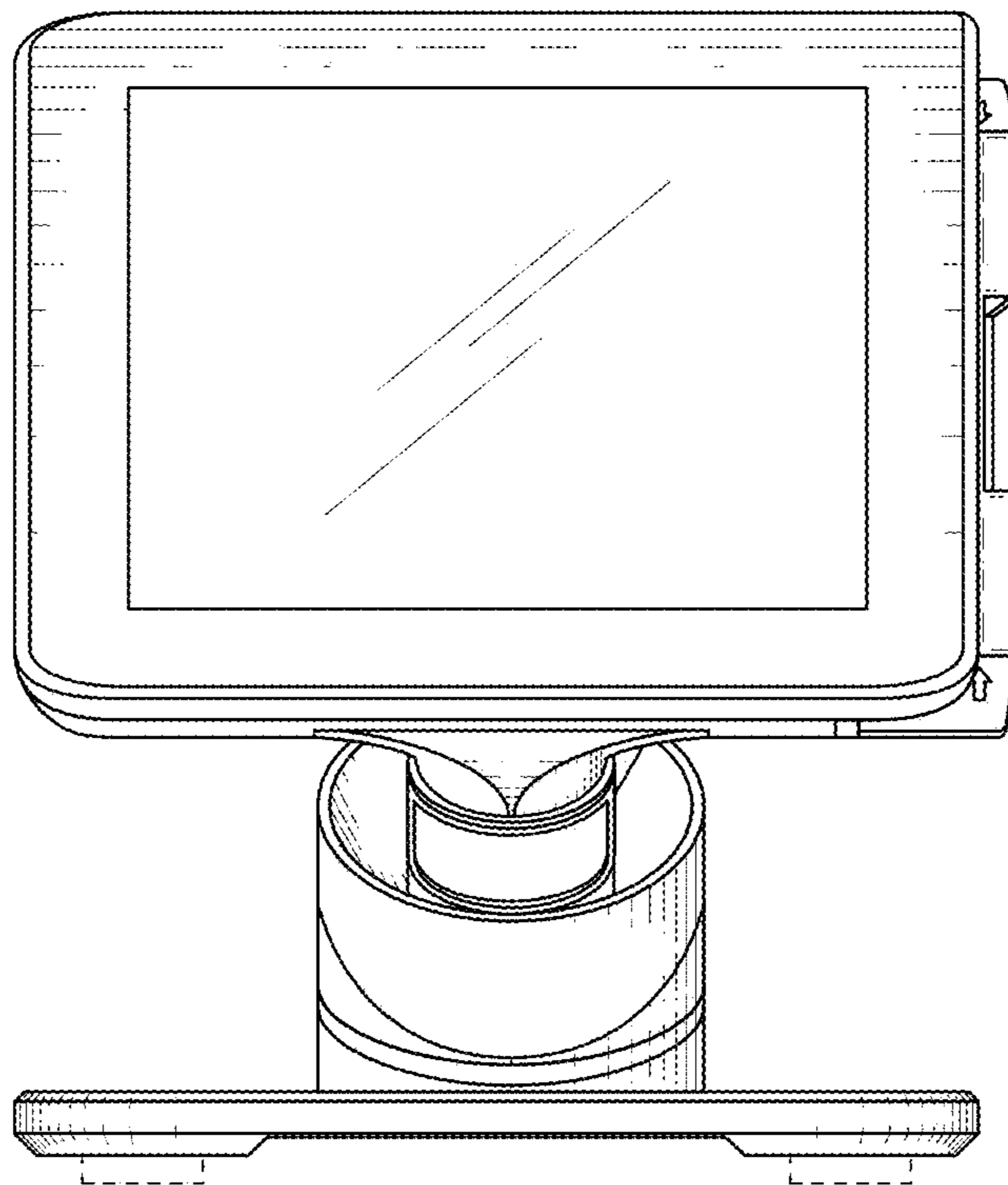


FIG. 7

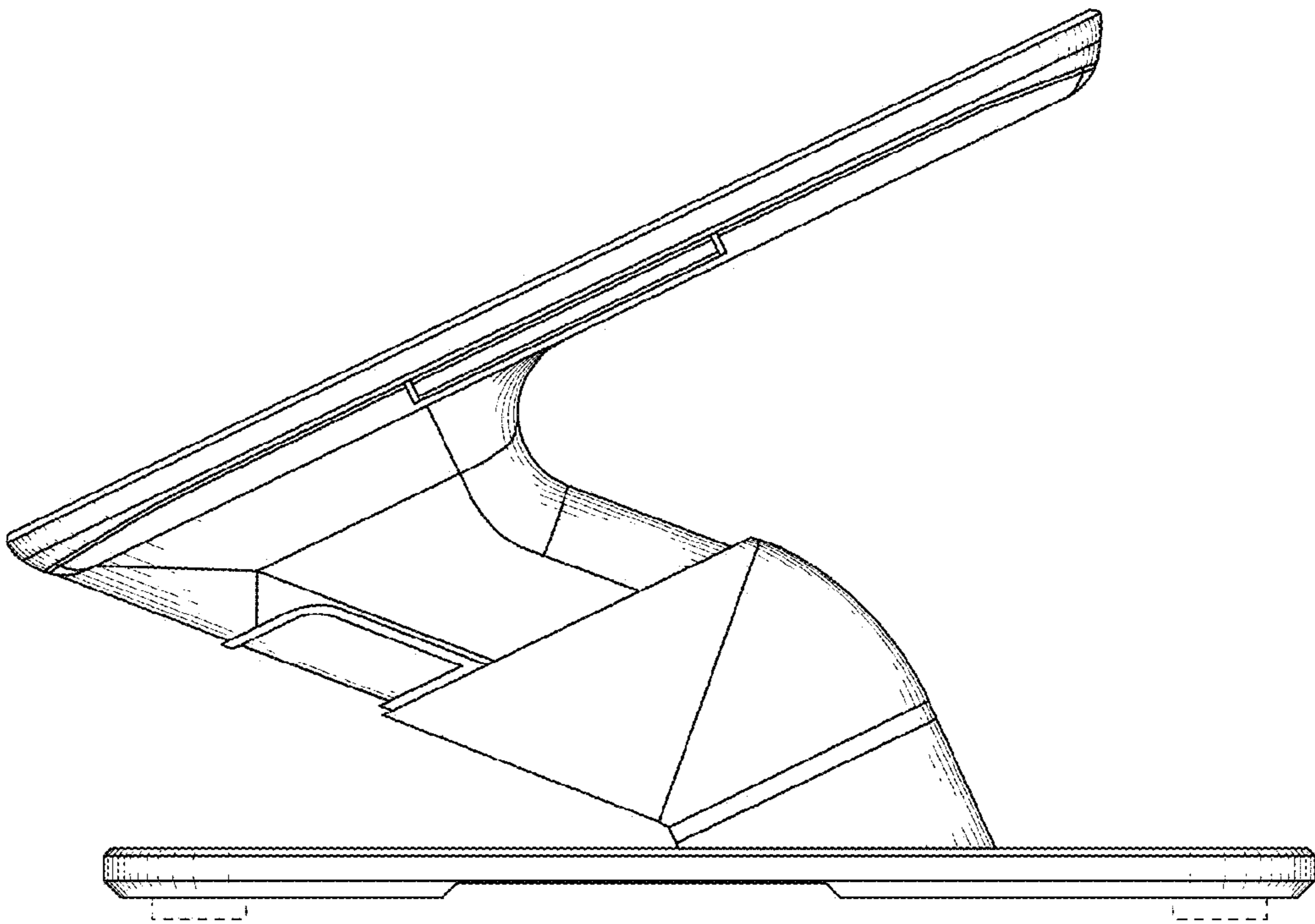


FIG. 8

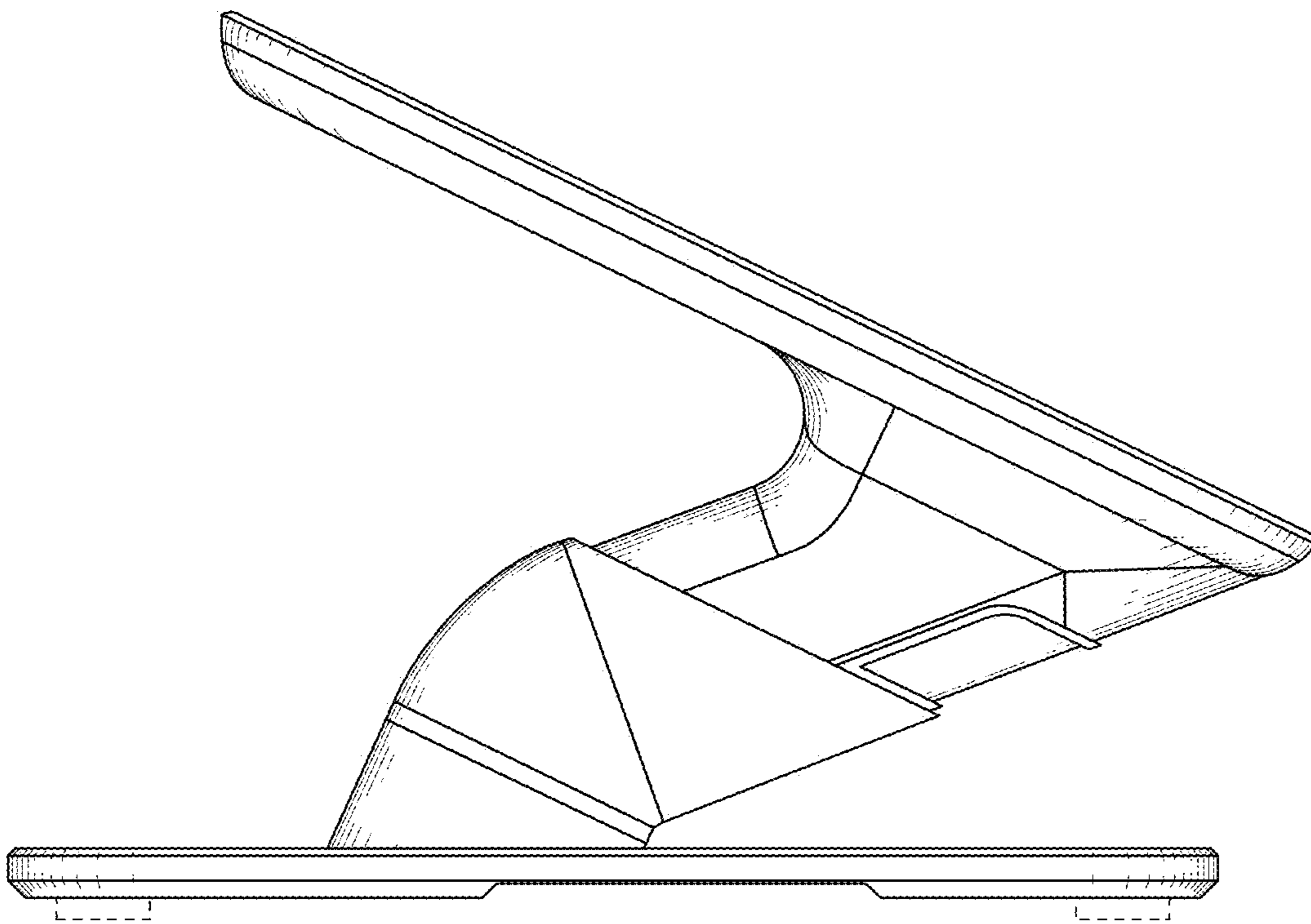


FIG. 9

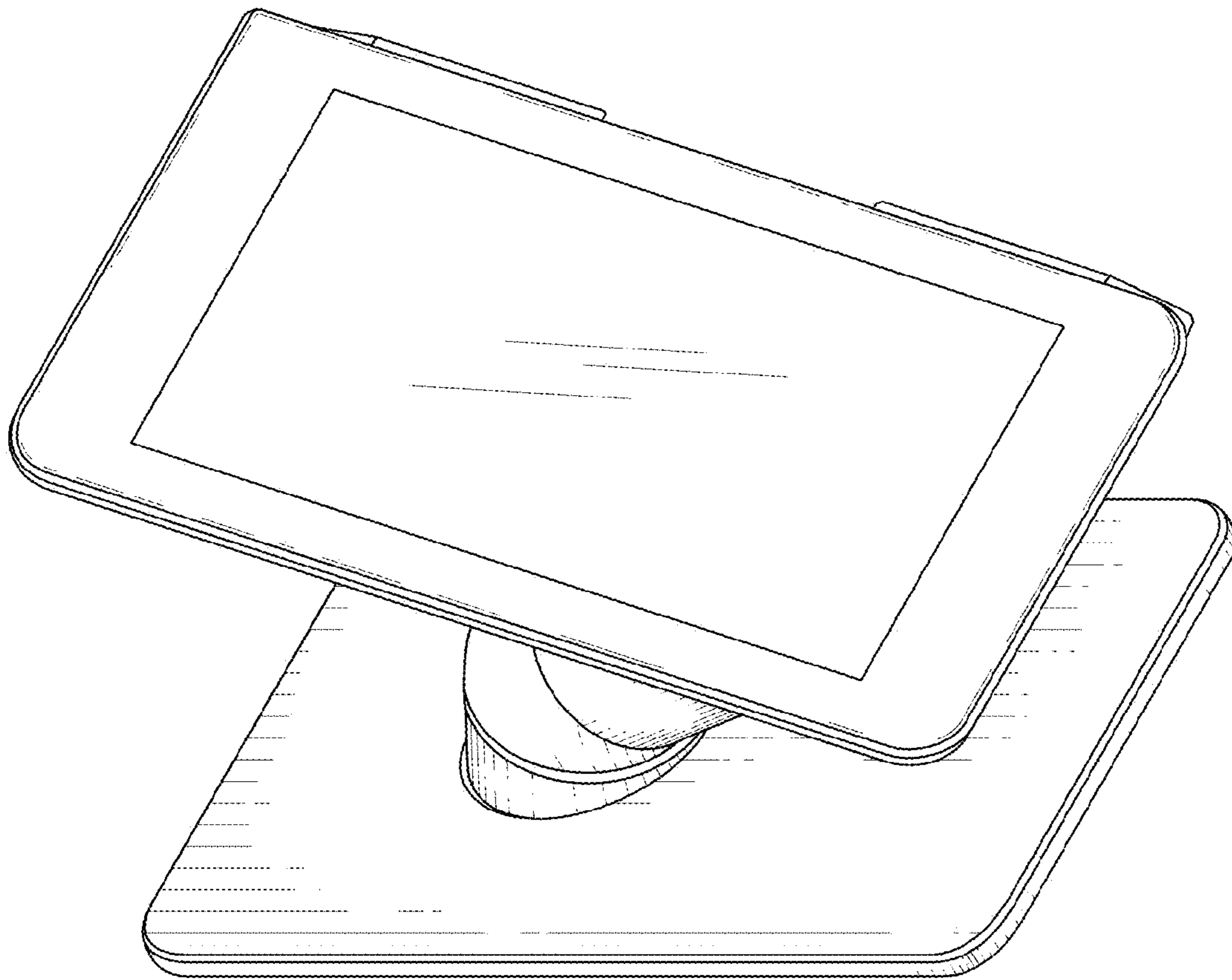


FIG. 10