



US00D746895S

(12) **United States Design Patent**
Katsumata

(10) **Patent No.:** **US D746,895 S**

(45) **Date of Patent:** **** Jan. 5, 2016**

(54) **INSTANT PHOTO PRINT**

(71) Applicant: **FUJIFILM Corporation**, Minato-Ku,
Tokyo (JP)

(72) Inventor: **Yukinori Katsumata**, Minato-ku (JP)

(73) Assignee: **FUJIFILM Corporation**, Tokyo (JP)

(**) Term: **14 Years**

(21) Appl. No.: **29/489,343**

(22) Filed: **Apr. 29, 2014**

(30) **Foreign Application Priority Data**

Nov. 20, 2013 (JP) 2013-027163
Nov. 20, 2013 (JP) 2013-027165

(51) **LOC (10) Cl.** **16-05**

(52) **U.S. Cl.**
USPC **D16/246**

(58) **Field of Classification Search**
USPC D16/237, 241, 246, 250; 396/583;
430/207-209, 498, 499
See application file for complete search history.

(56) **References Cited**

U.S. PATENT DOCUMENTS

3,994,002 A * 11/1976 Ivester 396/38
4,042,395 A * 8/1977 Tone et al. 430/499
4,090,211 A * 5/1978 Oishi et al. 396/39
4,100,559 A * 7/1978 Wareham et al. 396/518
4,134,655 A * 1/1979 Friedman 396/38

4,824,761 A * 4/1989 Sturgis et al. 430/209
5,292,612 A * 3/1994 Polizzotto et al. 430/207
D361,586 S * 8/1995 Noda D16/236
D389,851 S * 1/1998 Noda D16/236
6,186,680 B1 * 2/2001 Mizuno 396/527
6,192,197 B1 * 2/2001 Ono 396/30
6,195,508 B1 * 2/2001 Katayama et al. 396/32
7,108,950 B2 * 9/2006 Asakura 430/207
2002/0041762 A1 * 4/2002 Hyakutome et al. 396/511

OTHER PUBLICATIONS

Decision of Refusal, dated Aug. 27, 2014, issued in corresponding JP Application No. 2013-027165, 4 pages in English and Japanese.

* cited by examiner

Primary Examiner — Susan Bennett Hattan

Assistant Examiner — Leanne Was

(74) *Attorney, Agent, or Firm* — Sughrue Mion, PLLC

(57) **CLAIM**

The ornamental design for an instant photo print, as shown and described.

DESCRIPTION

FIG. 1 is a top, front and left side perspective view of an instant photo print showing of my new design;
FIG. 2 is a front elevational view thereof;
FIG. 3 is a rear elevational view thereof;
FIG. 4 is a top plan view thereof;
FIG. 5 is a left side elevational view thereof; and,
FIG. 6 is a front elevational view thereof in a manner of use.
The broken lines in the drawing depict environmental subject matter only and form no part of the claimed design.

1 Claim, 5 Drawing Sheets

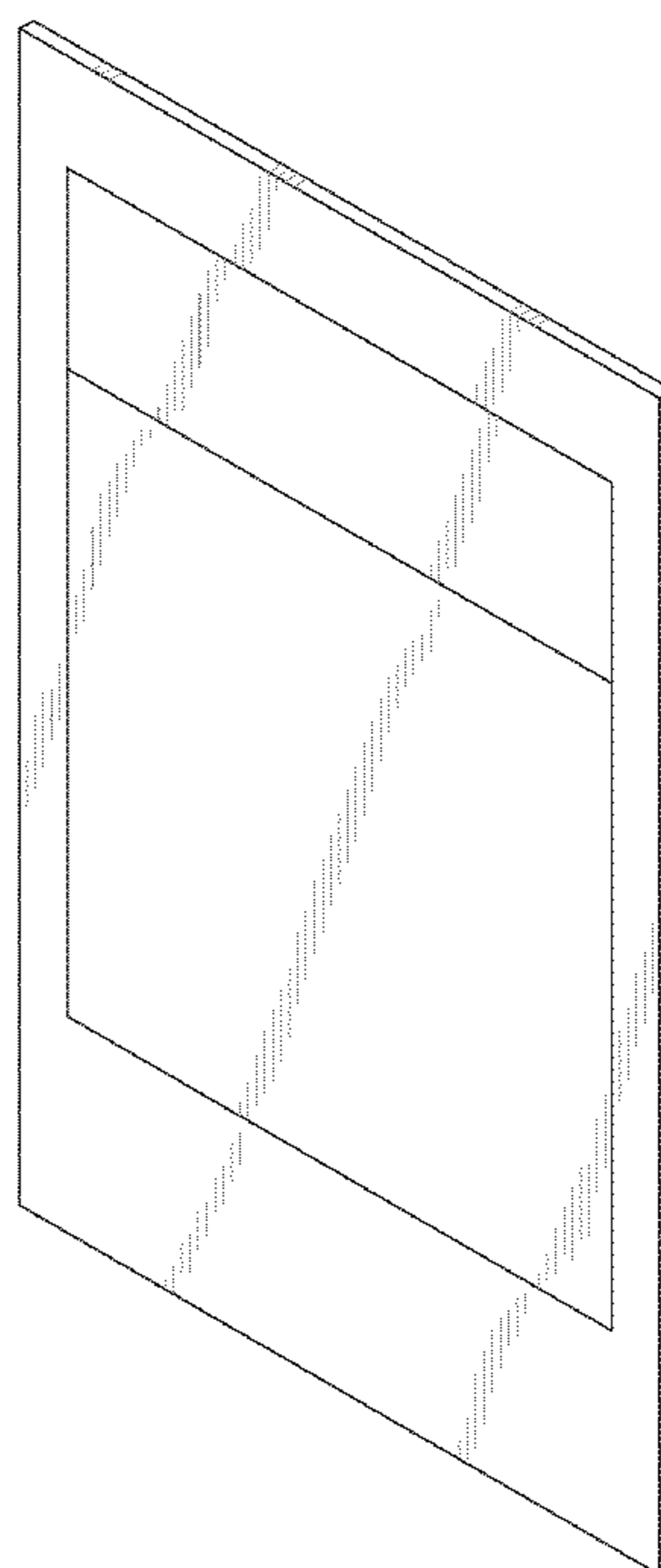


FIG. 1

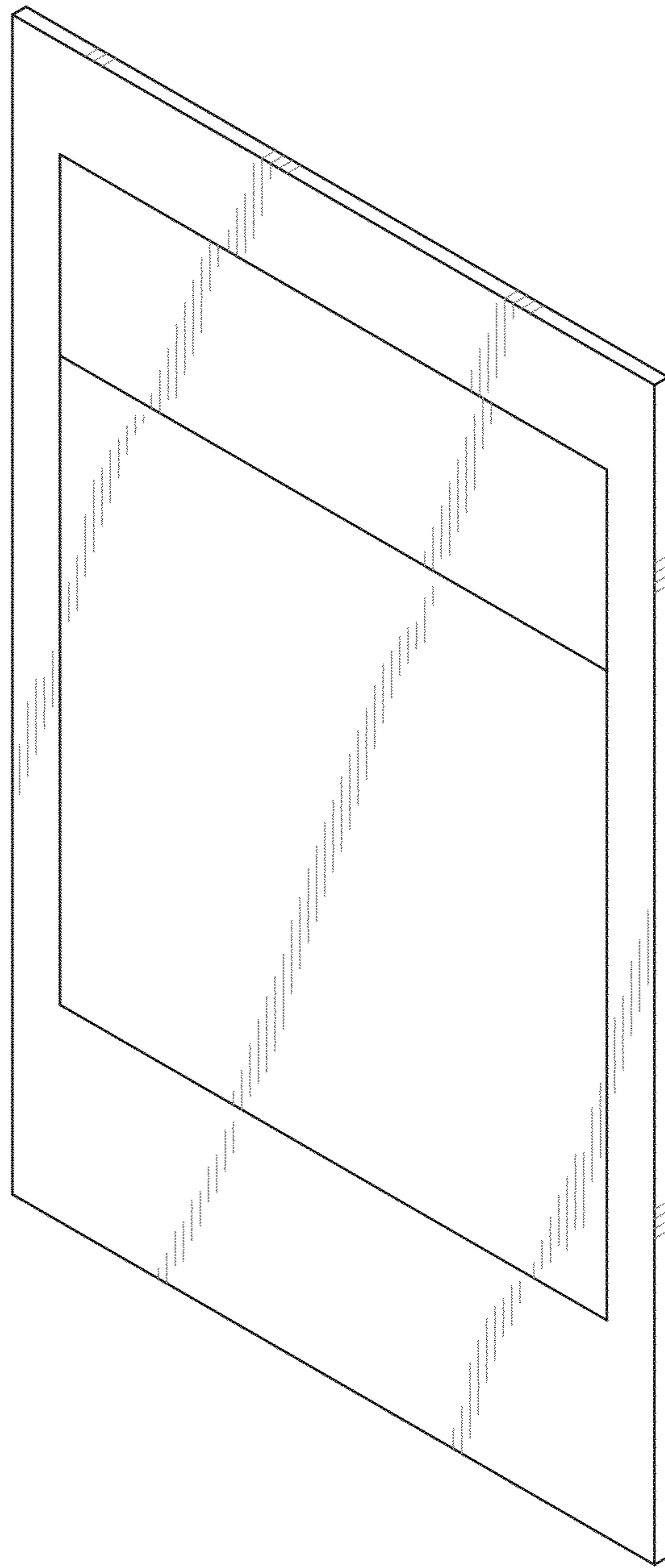


FIG. 2

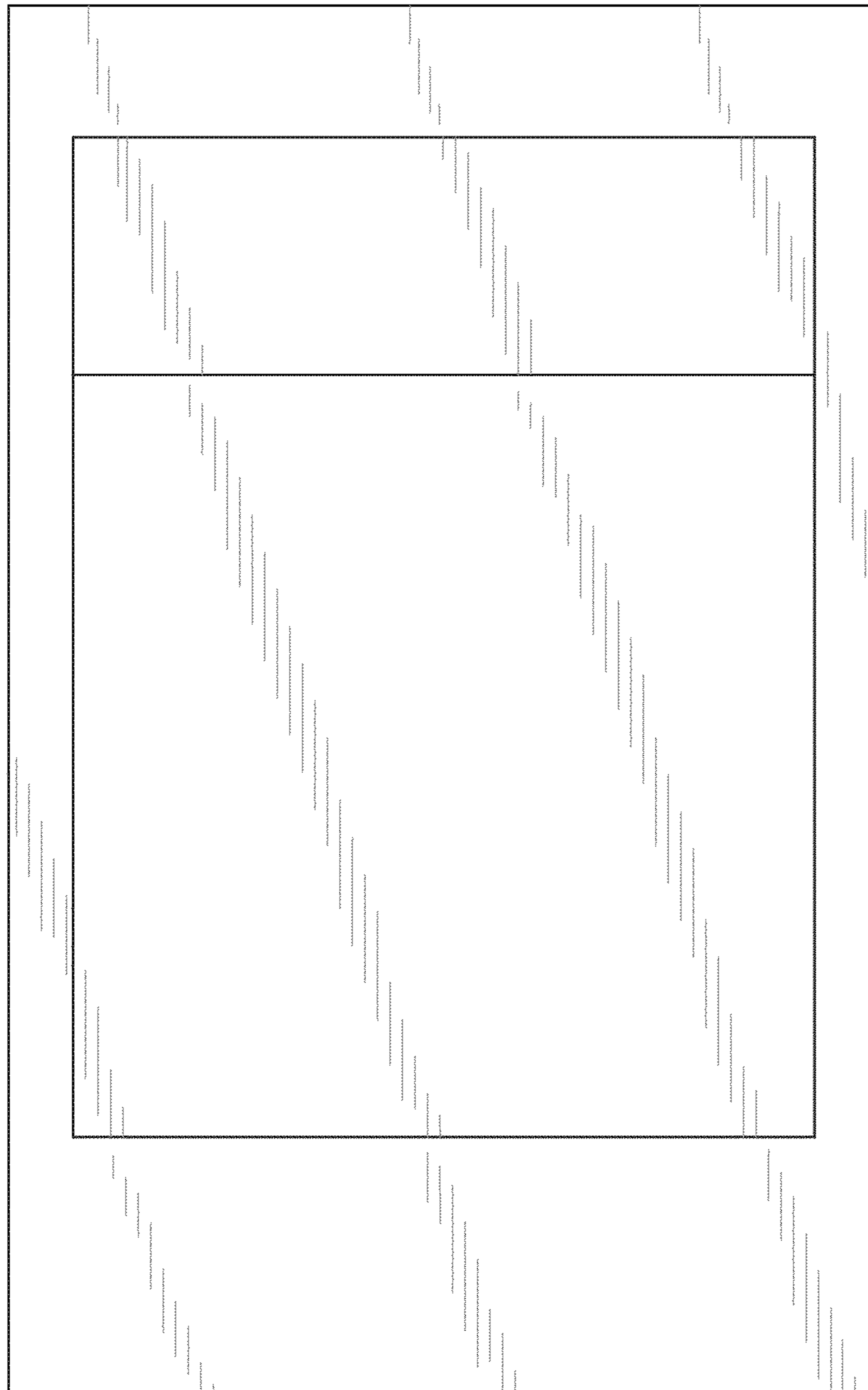


FIG. 3

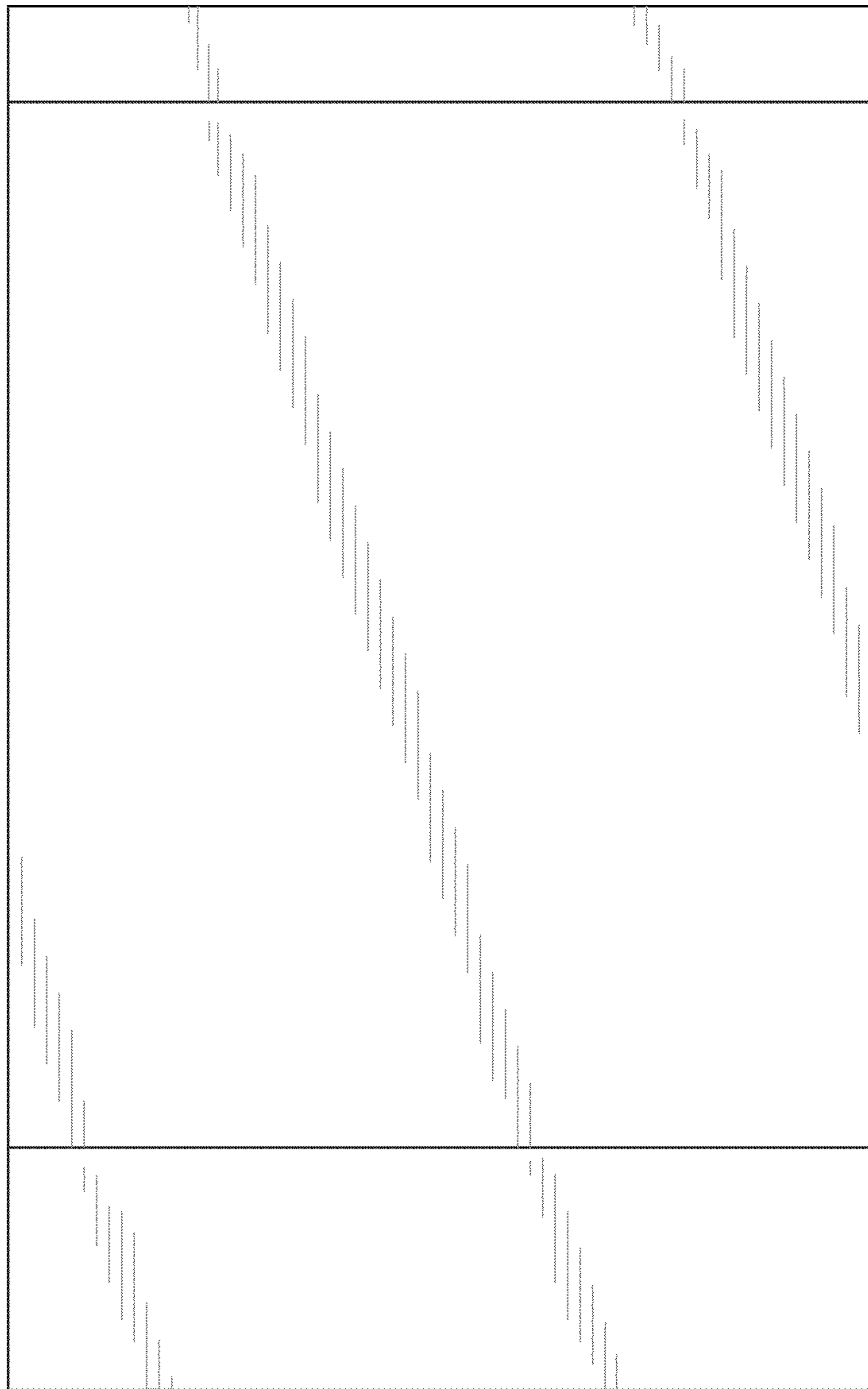


FIG. 4

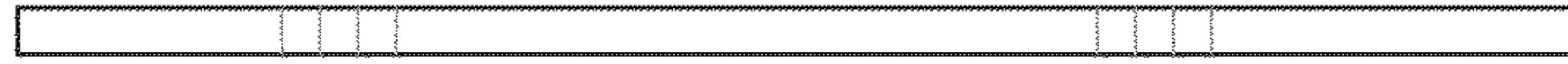


FIG. 5



FIG. 6

