



US00D746893S

(12) **United States Design Patent**
Dong

(10) **Patent No.:** **US D746,893 S**
(45) **Date of Patent:** **** Jan. 5, 2016**

- (54) **PORTABLE VIDEO MAGNIFIER**
- (71) Applicant: **Lingjie Dong**, Zhejiang (CN)
- (72) Inventor: **Lingjie Dong**, Zhejiang (CN)
- (73) Assignee: **HANGZHOU REJOIN TECH CO., LTD**, Hangzhou, Zhejiang (CN)
- (**) Term: **14 Years**
- (21) Appl. No.: **29/511,481**
- (22) Filed: **Dec. 11, 2014**
- (51) **LOC (10) Cl.** **16-02**
- (52) **U.S. Cl.**
USPC **D16/225; D16/135**
- (58) **Field of Classification Search**
USPC D16/232, 225, 229, 221, 219, 130, 135;
D21/513-514; 348/63; 353/101
CPC . H04N 5/2251; H04N 5/2252; H04N 5/2256;
H04N 5/23296; H04N 2201/0089; H04N
2201/0081; H04N 5/2254; H04N 2201/0096
See application file for complete search history.

6,791,600	B1 *	9/2004	Chan	348/63
D542,795	S *	5/2007	Sukenari et al.	D16/232
7,406,257	B2 *	7/2008	Yi et al.	396/5
D664,584	S *	7/2012	Turpault et al.	D16/225
2002/0106137	A1 *	8/2002	Chen et al.	382/321
2006/0077286	A1 *	4/2006	Wenderski	348/373

* cited by examiner

Primary Examiner — Wan Laymon

(74) *Attorney, Agent, or Firm* — Raj Abhyanker, P.C.

(57) **CLAIM**

The ornamental design for a portable video magnifier, as shown and described.

DESCRIPTION

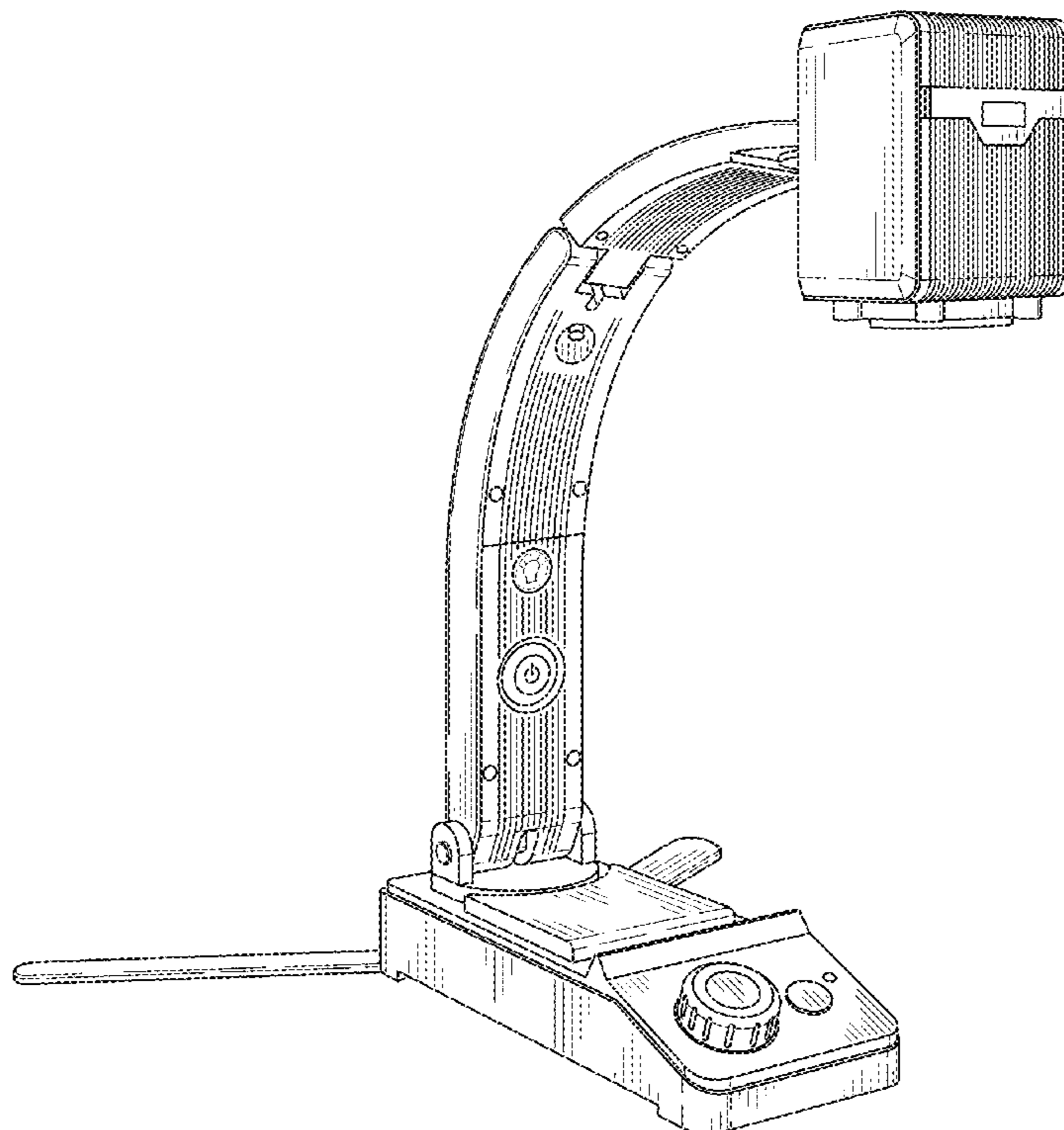
FIG. 1 is a perspective view of a portable video magnifier, showing my new design;
 FIG. 2 is a front view thereof;
 FIG. 3 is a rear view thereof;
 FIG. 4 is a left-side view thereof;
 FIG. 5 is a right-side view thereof;
 FIG. 6 is a top view thereof; and,
 FIG. 7 is a bottom view thereof.
 The portions of the portable video magnifier shown in broken lines form no part of the claimed design.

(56) **References Cited**

U.S. PATENT DOCUMENTS

6,317,155	B1 *	11/2001	Ohyama	348/373
D495,355	S *	8/2004	Mudd et al.	D16/232

1 Claim, 7 Drawing Sheets



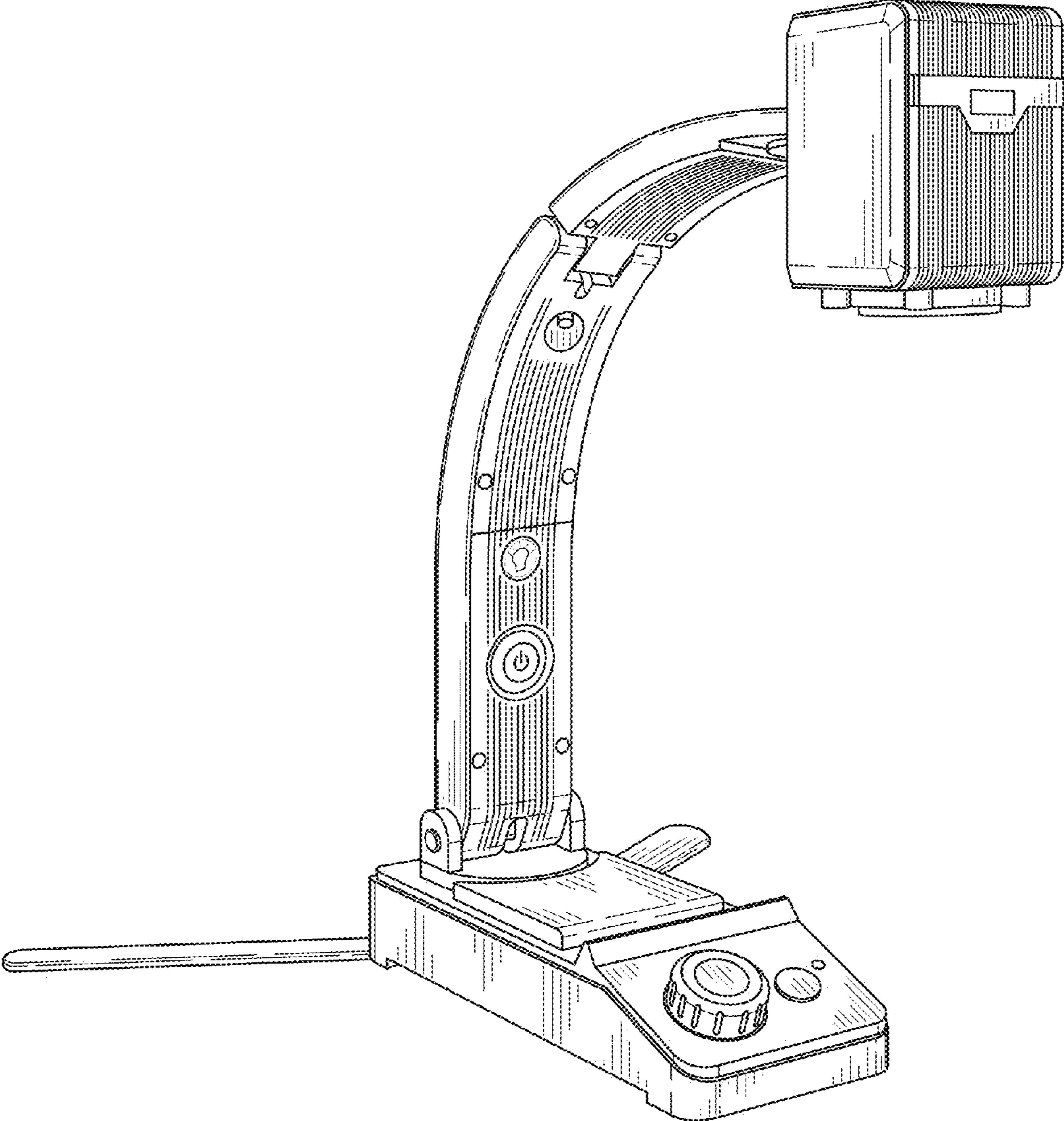


FIG. 1

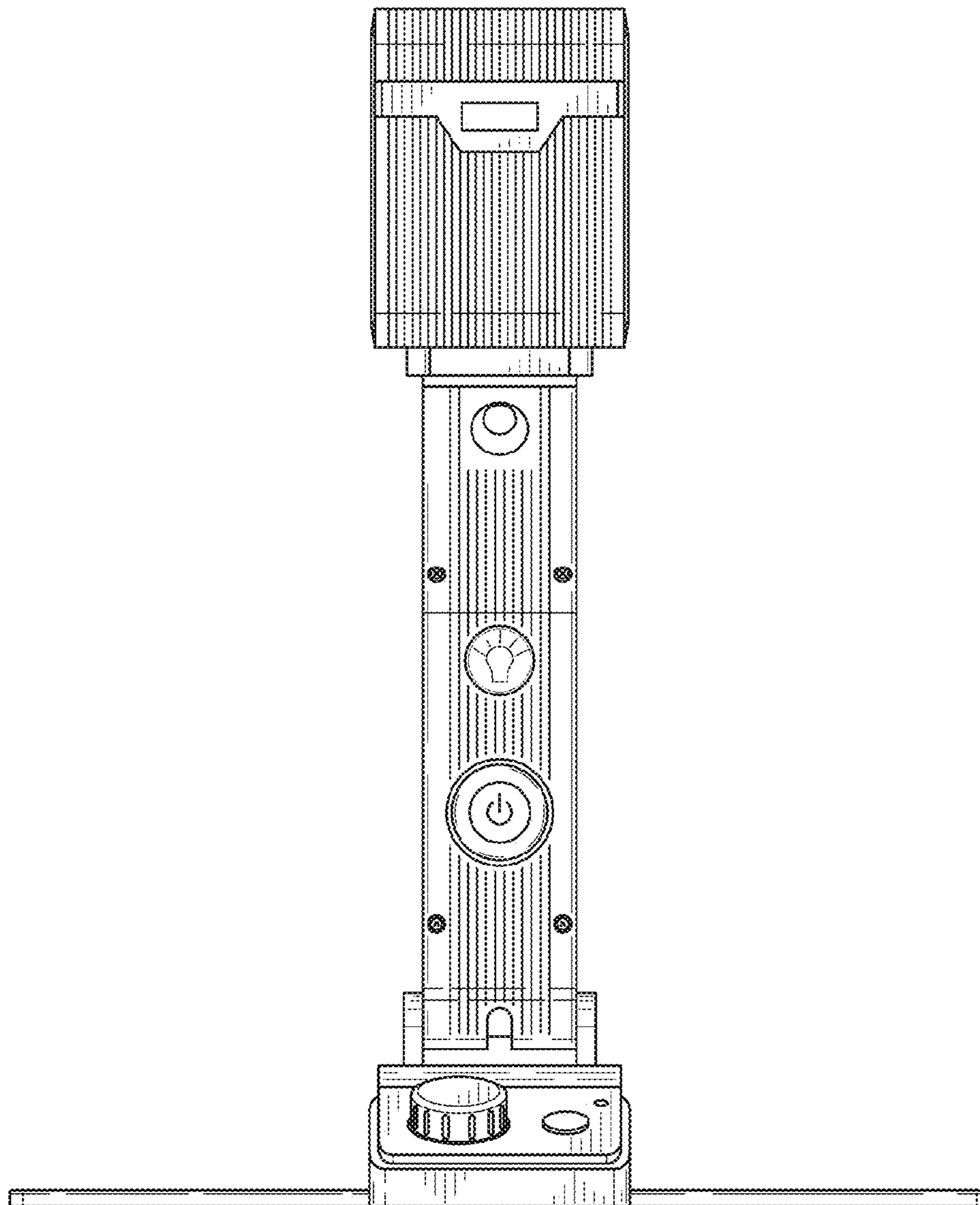


FIG. 2

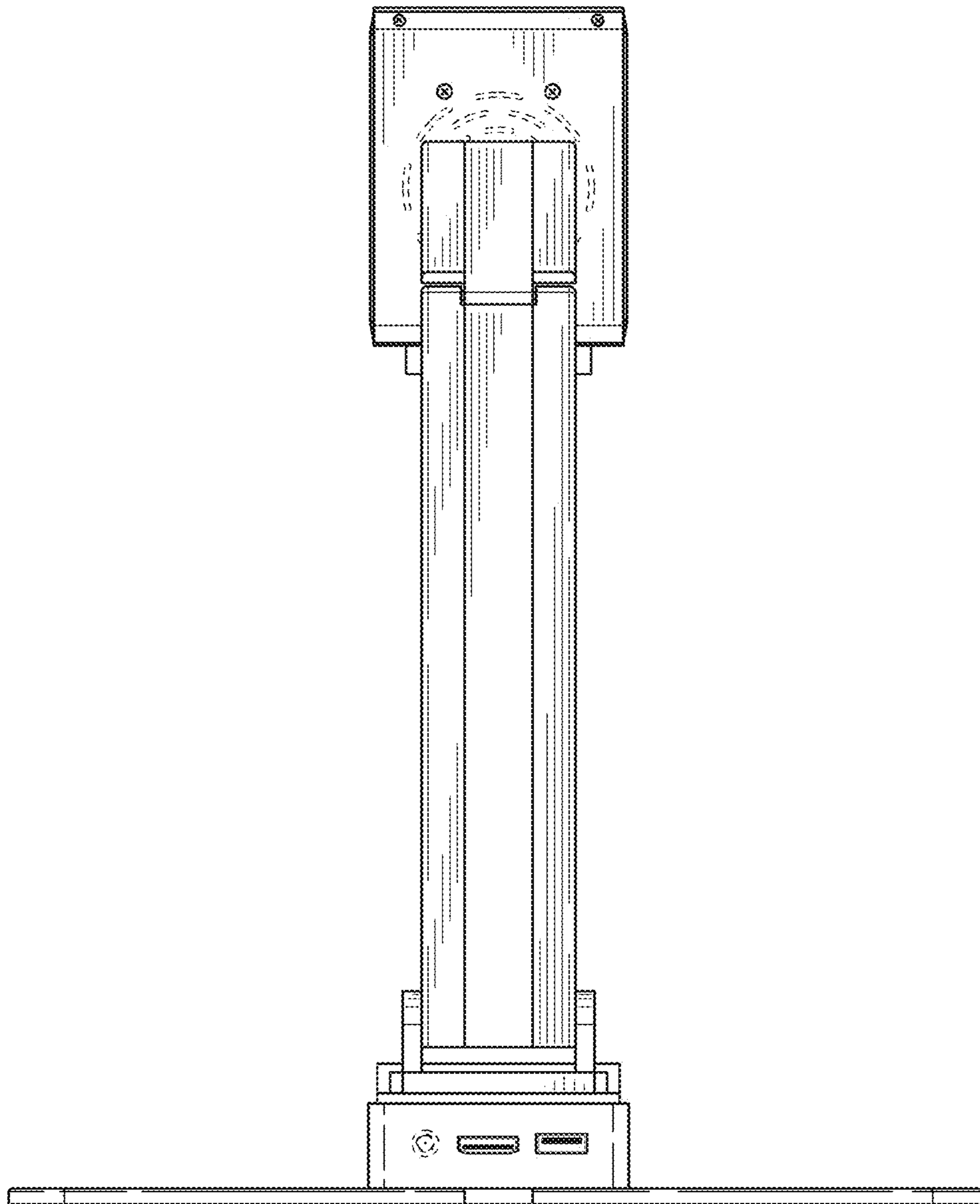


FIG. 3

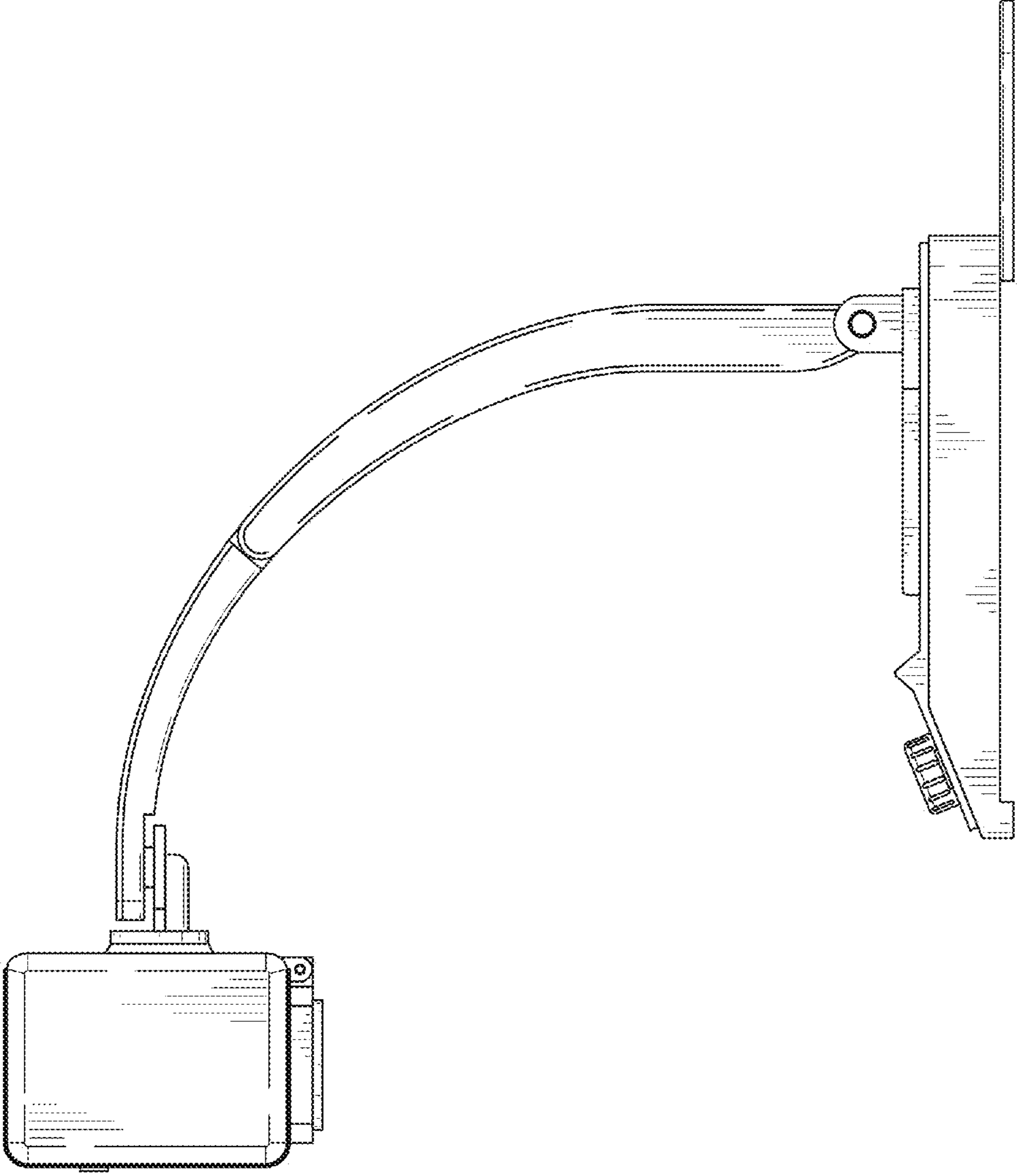


FIG. 4

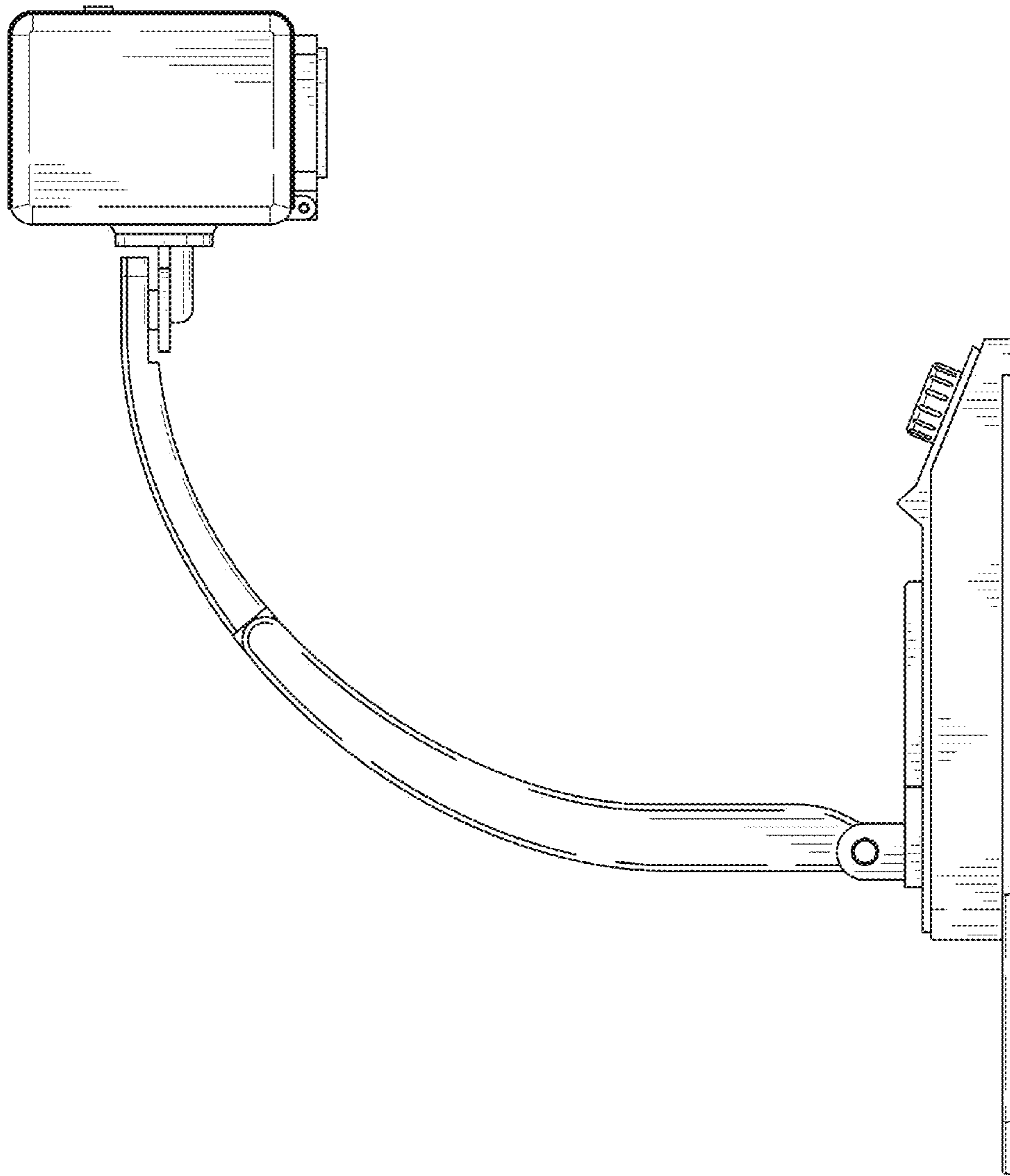


FIG. 5

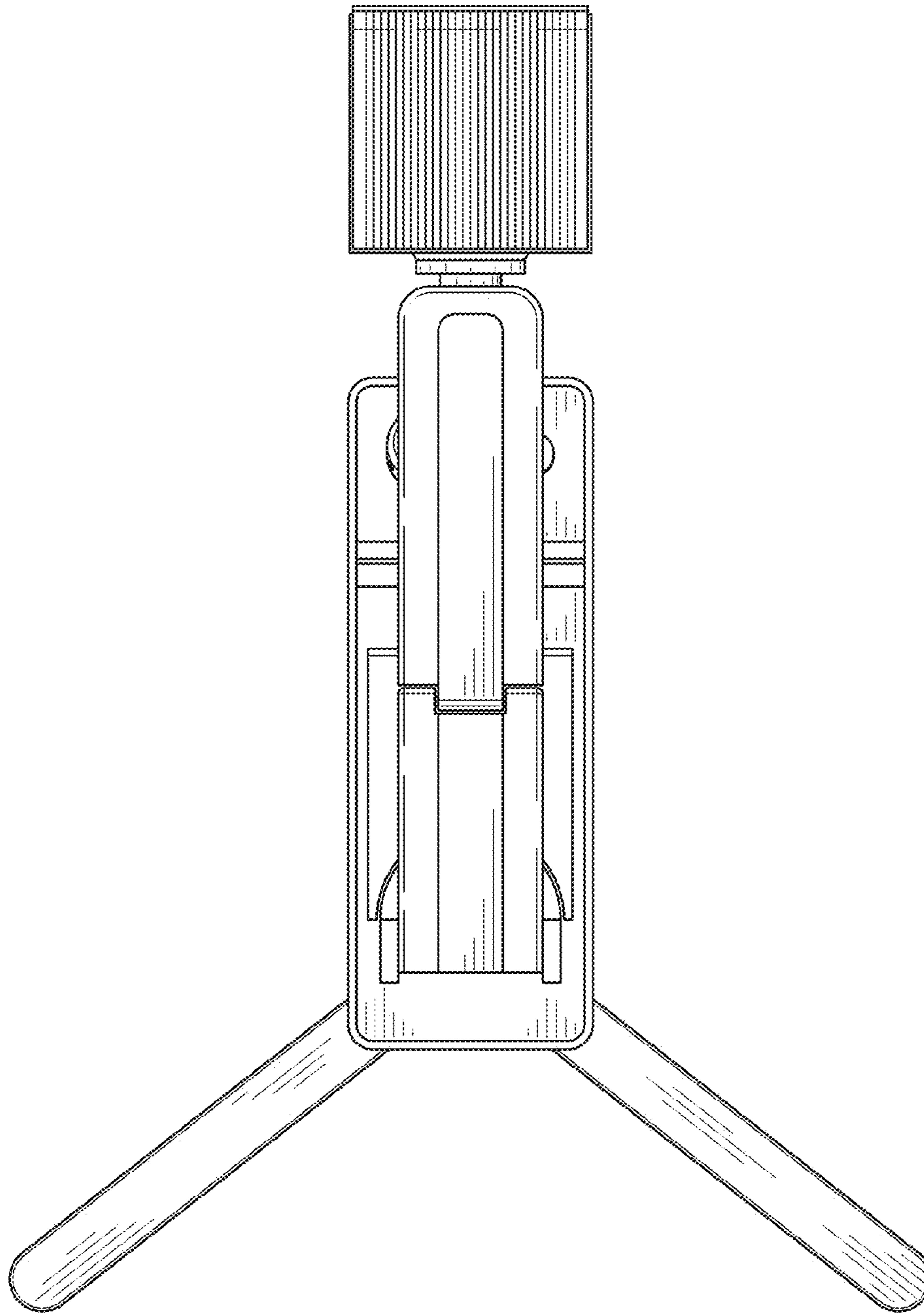


FIG. 6

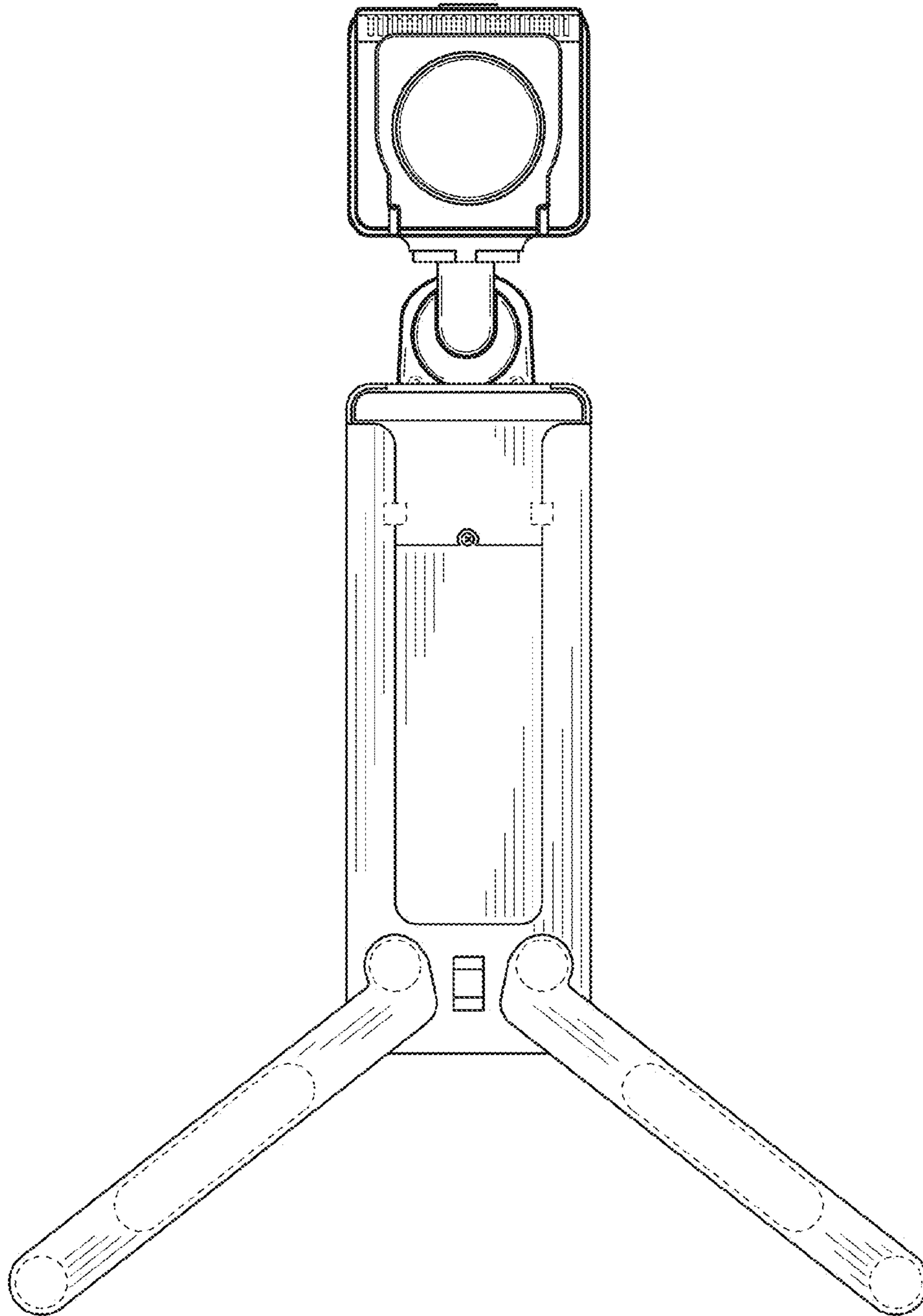


FIG. 7