



US00D746892S

(12) **United States Design Patent**  
**Mullins**

(10) **Patent No.:** **US D746,892 S**  
(45) **Date of Patent:** **\*\* Jan. 5, 2016**

- (54) **DATA RECORDING DEVICE**
- (71) Applicant: **Digital Ally, Inc.**, Lenexa, KS (US)
- (72) Inventor: **Kirk E. Mullins**, Raytown, MO (US)
- (73) Assignee: **Digital Ally, Inc.**, Lenexa, KS (US)
- (\*\*) Term: **14 Years**
- (21) Appl. No.: **29/507,183**
- (22) Filed: **Oct. 24, 2014**
- (51) **LOC (10) Cl.** ..... **16-05**
- (52) **U.S. Cl.**  
USPC ..... **D16/219**
- (58) **Field of Classification Search**  
USPC ..... D16/200, 202-205, 208, 209, 218, 219;  
D14/125, 317, 496, 507; D5/1, 54, 58;  
348/373-376; 396/535, 539-541;  
245/8  
CPC ..... G03B 15/03; G03B 17/02; G03B 17/04;  
G03B 17/56; G03B 19/04; H04N 5/2251;  
H04N 5/2252; H04N 5/2253; H04N 5/2254;  
H04N 2101/00  
See application file for complete search history.

- D409,583 S \* 5/1999 Nishida ..... D14/317
- D462,956 S \* 9/2002 Ogasawara ..... D14/317
- D526,674 S \* 8/2006 Byun ..... D16/202
- 7,507,041 B2 \* 3/2009 Ueda ..... G03B 17/02  
348/375
- D628,221 S \* 11/2010 Chen ..... D16/202

\* cited by examiner

*Primary Examiner* — Adir Aronovich  
*Assistant Examiner* — Ramzi Almatrahi  
(74) *Attorney, Agent, or Firm* — Erise IP, P.A.

(57) **CLAIM**

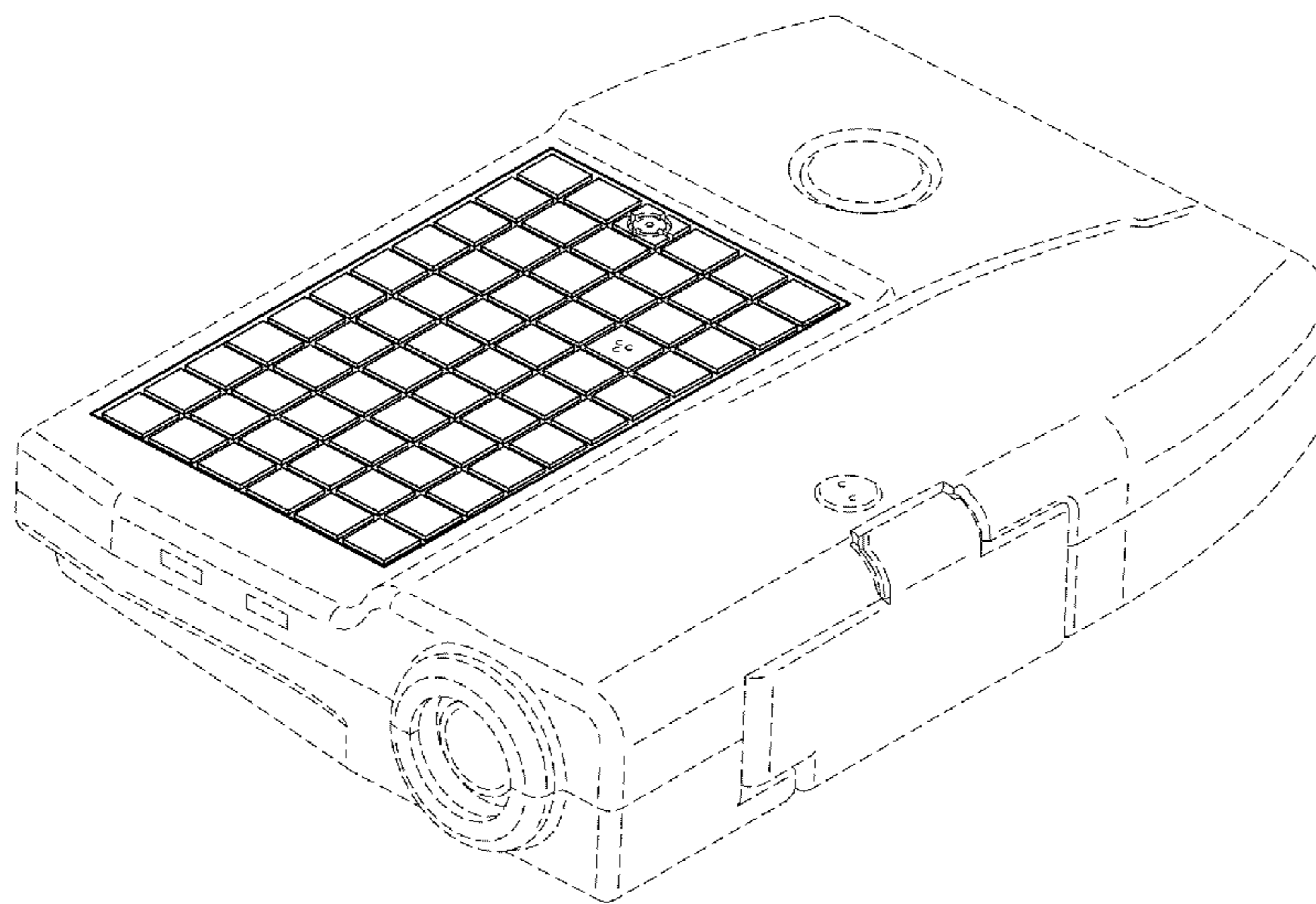
The ornamental design for a data recording device, as shown and described.

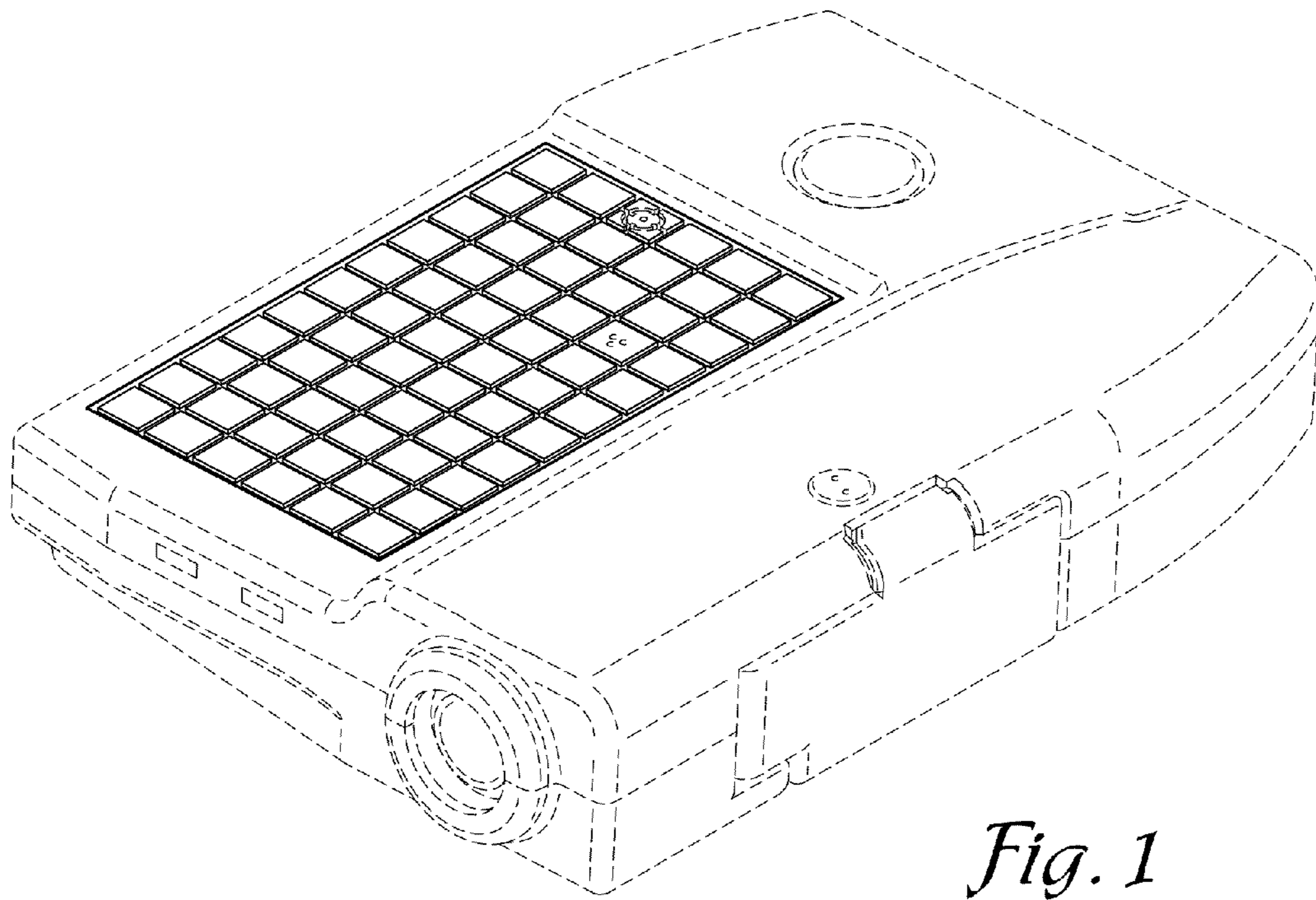
**DESCRIPTION**

FIG. 1 is a top, front and left side perspective view of a data recording device showing my new design;  
FIG. 2 is a top plan view of the data recording device of FIG. 1;  
FIG. 3 is a bottom plan view of the data recording device of FIG. 1;  
FIG. 4 is a front elevation view of the data recording device of FIG. 1;  
FIG. 5 is a rear elevation view of the data recording device of FIG. 1;  
FIG. 6 is a left side elevation view of the data recording device of FIG. 1; and,  
FIG. 7 is a right side elevation view of the data recording device of FIG. 1.  
The broken lines depict portions of a data recording device in which the design is embodied and form no part of the claimed design.

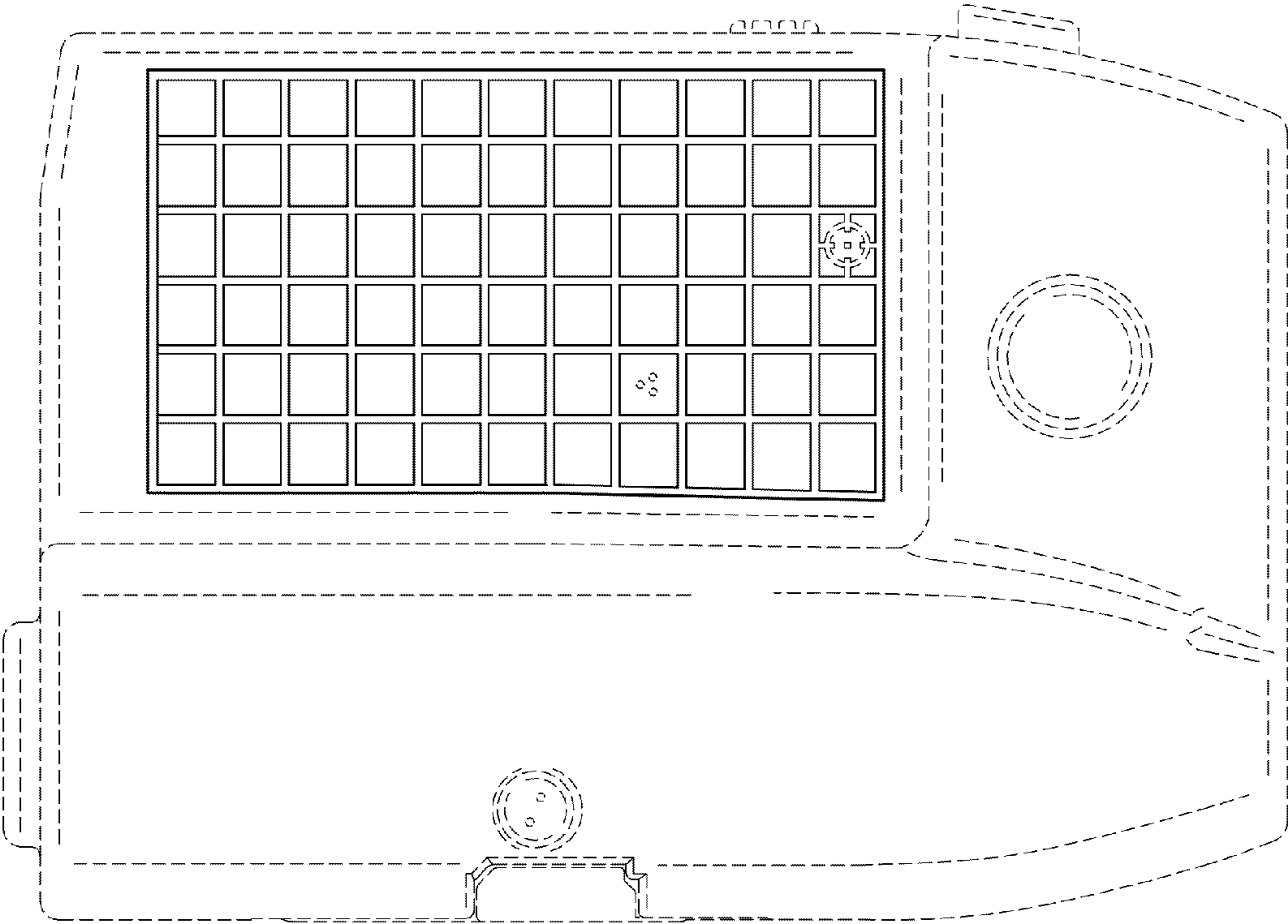
- (56) **References Cited**  
U.S. PATENT DOCUMENTS  
1,829,498 A \* 10/1931 Boehm ..... D03D 25/00  
139/425 R  
D168,945 S \* 3/1953 Liskey ..... 182/222  
2,777,789 A \* 1/1957 Smith ..... A47G 27/02  
15/215  
D401,952 S \* 12/1998 Takizawa ..... D16/202

**1 Claim, 5 Drawing Sheets**

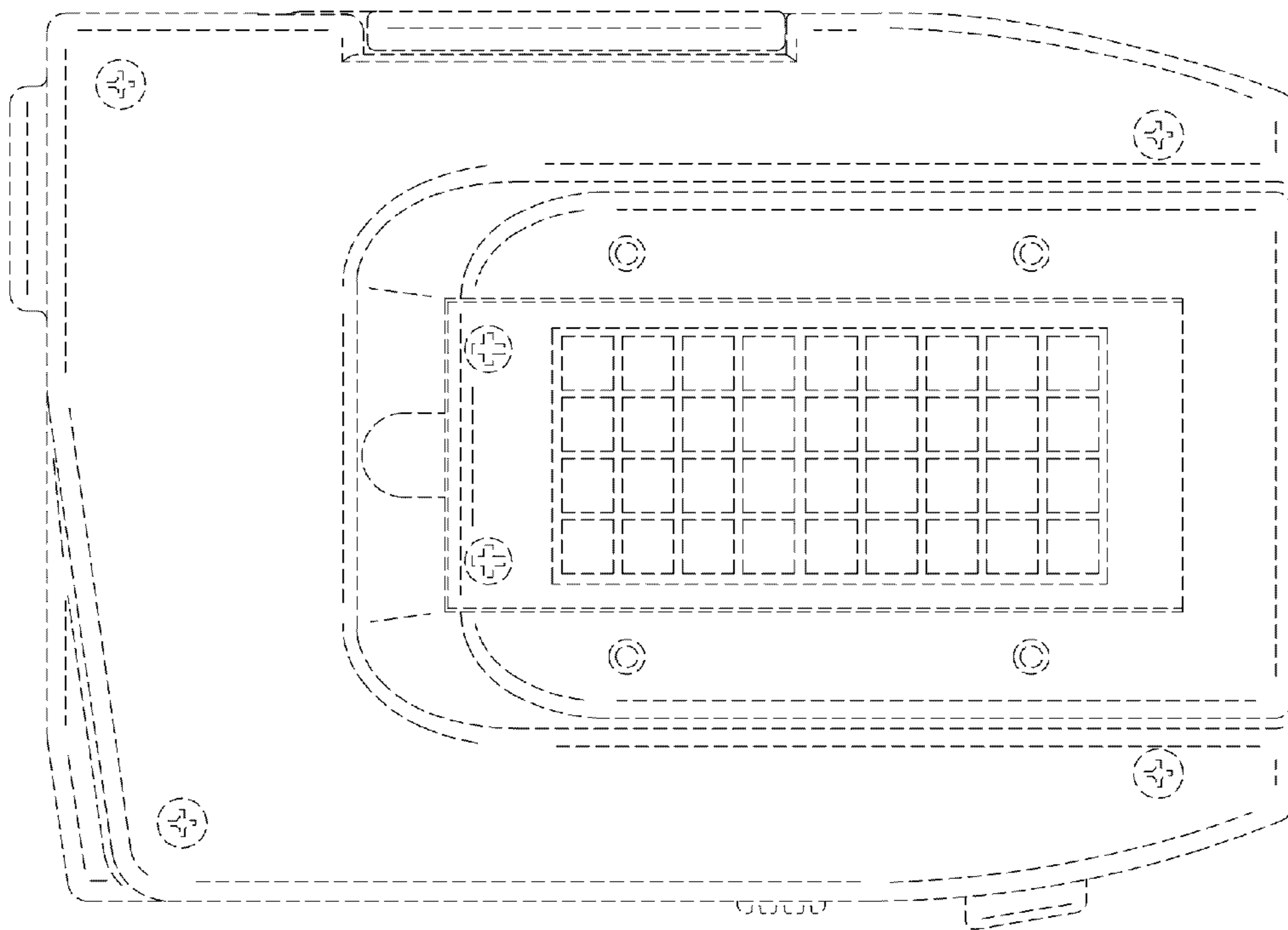




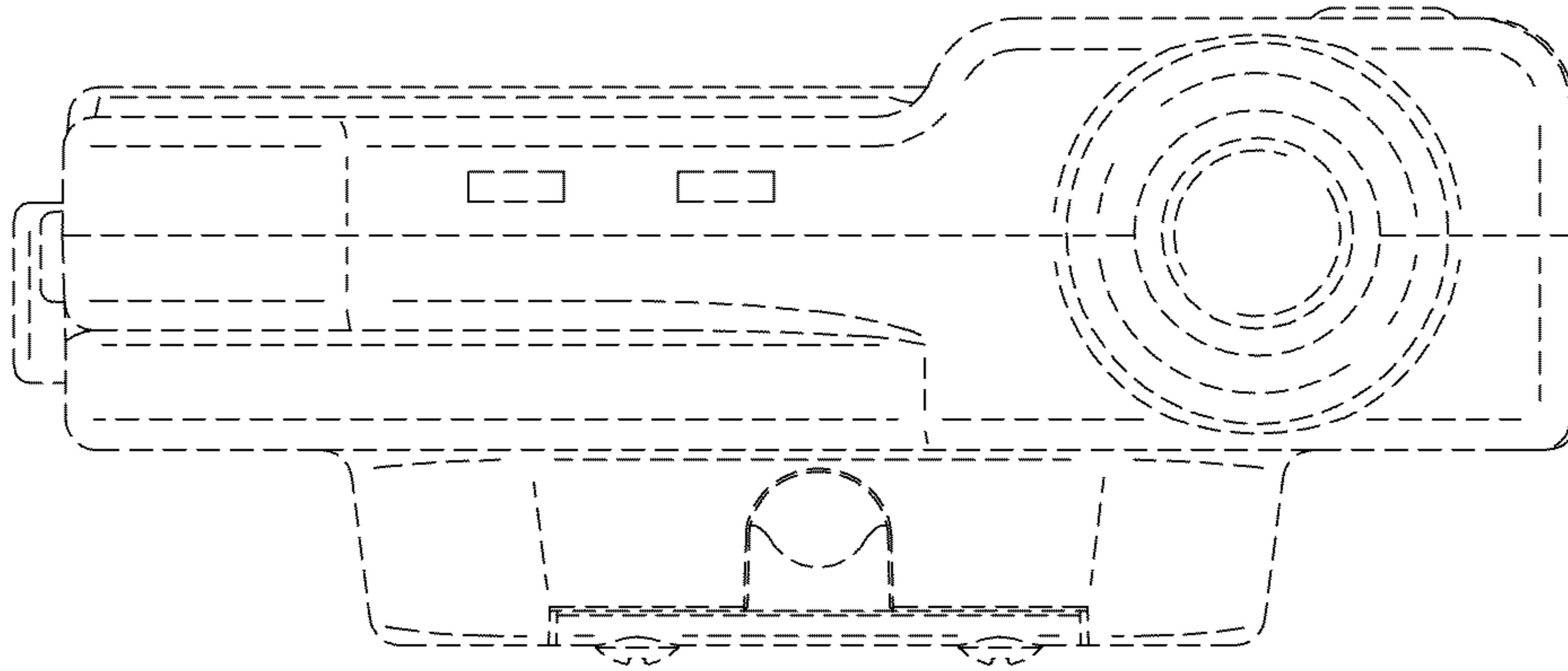
*Fig. 1*



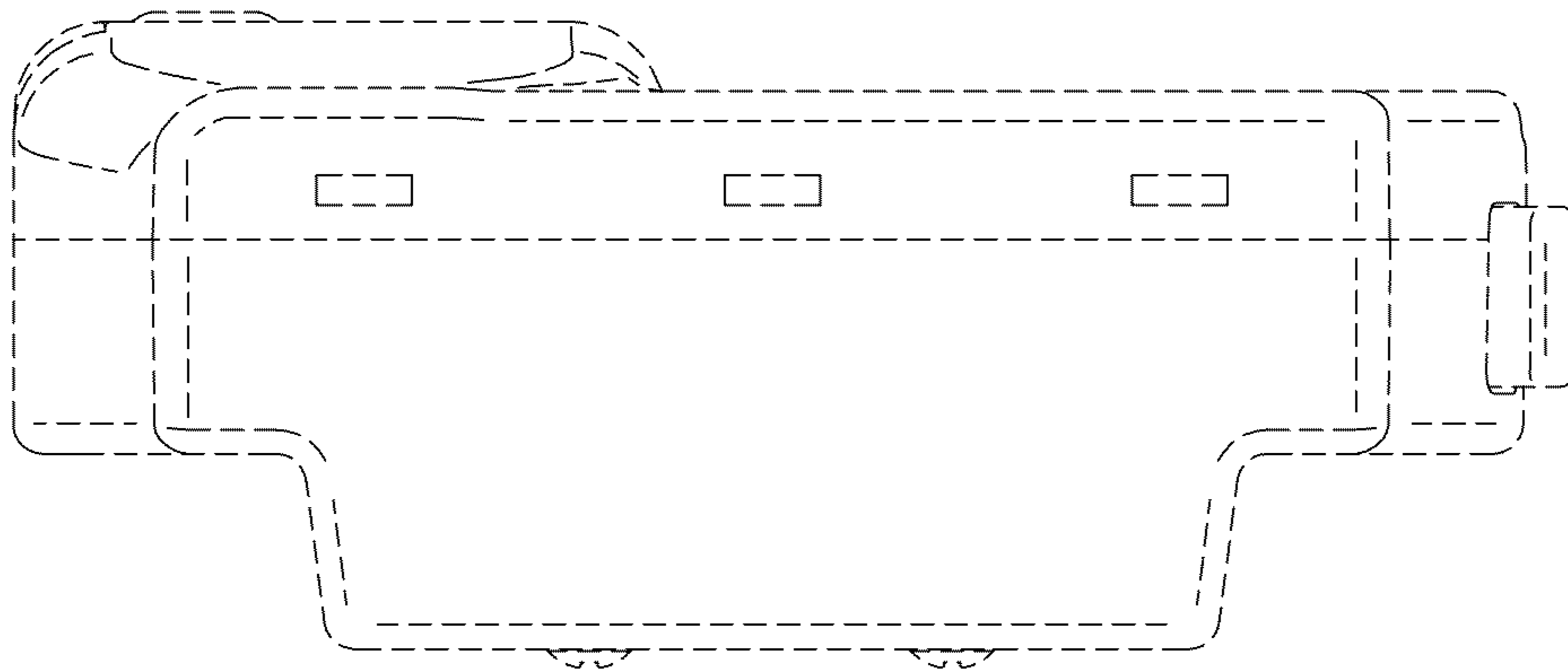
*Fig. 2*



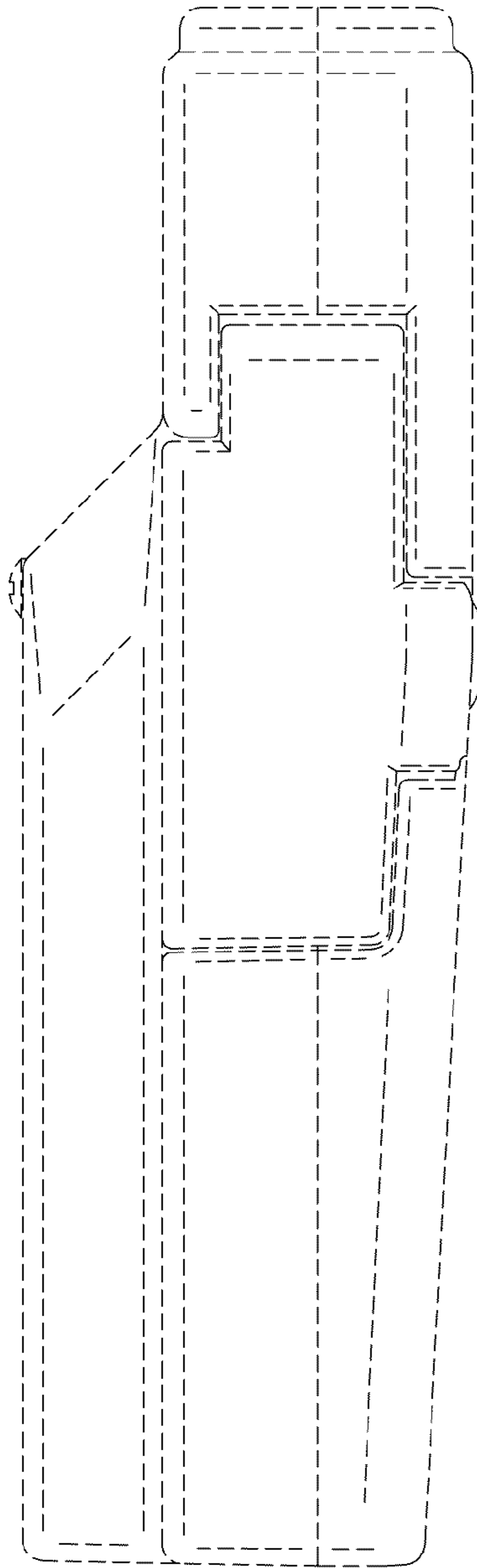
*Fig. 3*



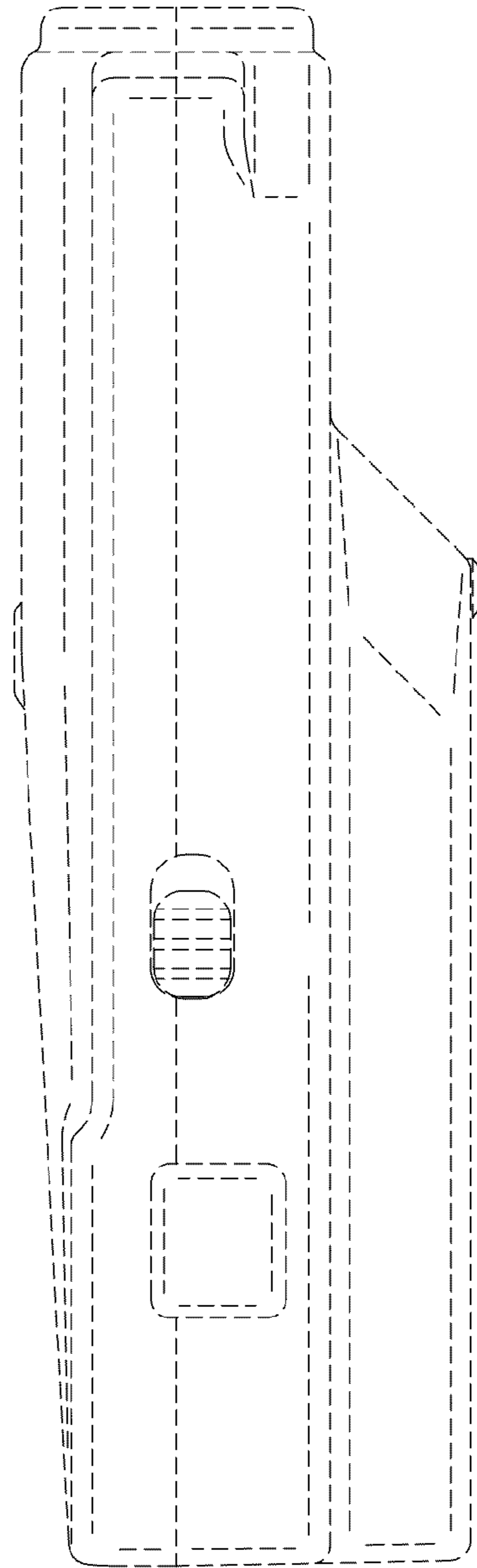
*Fig. 4*



*Fig. 5*



*Fig. 6*



*Fig. 7*