



US00D746891S

(12) **United States Design Patent**  
**Ham**

(10) **Patent No.:** **US D746,891 S**  
(45) **Date of Patent:** **\*\* Jan. 5, 2016**

(54) **CAMERA**

(71) Applicant: **Samsung Electronics Co., Ltd.**,  
Suwon-si (KR)

(72) Inventor: **Min-Ki Ham**, Seoul (KR)

(73) Assignee: **Samsung Electronics Co., Ltd.**,  
Suwon-si (KR)

(\*\*) Term: **14 Years**

(21) Appl. No.: **29/495,424**

(22) Filed: **Jul. 1, 2014**

(30) **Foreign Application Priority Data**

Jan. 9, 2014 (KR) ..... 30-2014-0001390

(51) **LOC (10) Cl.** ..... **16-05**

(52) **U.S. Cl.**  
USPC ..... **D16/219**

(58) **Field of Classification Search**  
USPC ..... D16/200, 202-206, 208, 218, 219, 242;  
348/373-376; 396/176, 177, 535,  
396/539-541

CPC ..... G03B 15/03; G03B 17/02; G03B 17/04;  
G03B 17/56; G03B 19/04; H04N 5/2251;  
H04N 5/2252; H04N 5/2253; H04N 5/2254;  
H04N 2101/00

See application file for complete search history.

(56) **References Cited**

**U.S. PATENT DOCUMENTS**

D550,743 S \* 9/2007 Bai ..... D16/218  
D555,688 S \* 11/2007 Yoo et al. .... D16/202  
D596,217 S \* 7/2009 Kim et al. .... D16/219  
D597,576 S \* 8/2009 Kim et al. .... D16/202

D638,460 S \* 5/2011 Funakoshi ..... D16/219  
D662,958 S \* 7/2012 Fujita ..... D16/202  
8,249,442 B2 \* 8/2012 Yasuda et al. .... 396/176  
D677,706 S \* 3/2013 Nojima et al. .... D16/202  
8,472,799 B2 \* 6/2013 Kaneda et al. .... 396/177  
D692,044 S \* 10/2013 Uemachi et al. .... D16/219  
8,744,259 B2 \* 6/2014 Yoon ..... 396/177  
D713,869 S \* 9/2014 Kim ..... D16/202

\* cited by examiner

*Primary Examiner* — Adir Aronovich

*Assistant Examiner* — Ramzi Almatrahi

(74) *Attorney, Agent, or Firm* — NSIP Law

(57) **CLAIM**

I claim the ornamental design for a camera, as shown and described.

**DESCRIPTION**

FIG. 1 is a front perspective view of a camera showing my new design;

FIG. 2 is a front view thereof;

FIG. 3 is a rear view thereof;

FIG. 4 is a left-side view thereof;

FIG. 5 is a right-side view thereof;

FIG. 6 is a top view thereof;

FIG. 7 is a bottom view thereof;

FIG. 8 is a rear perspective view thereof; and,

FIG. 9 is another rear perspective view thereof, in which a display screen of the camera is rotated to an open position.

The broken lines in the figures show portions of the camera which are for environmental purposes only and form no part of the claimed design.

The dot dash broken lines in the figures represent an unclaimed boundary line and form no part of the claimed design.

**1 Claim, 6 Drawing Sheets**

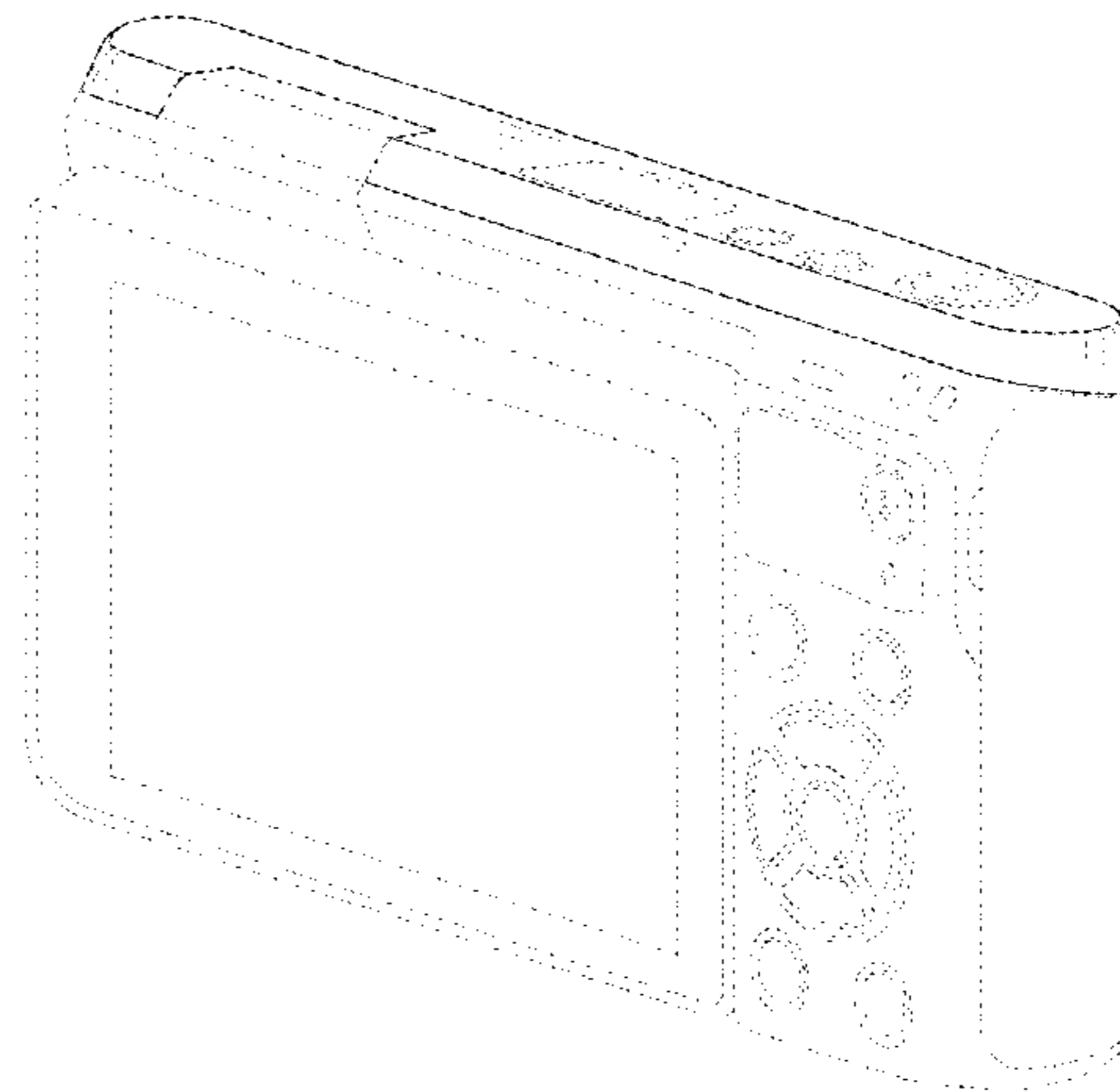
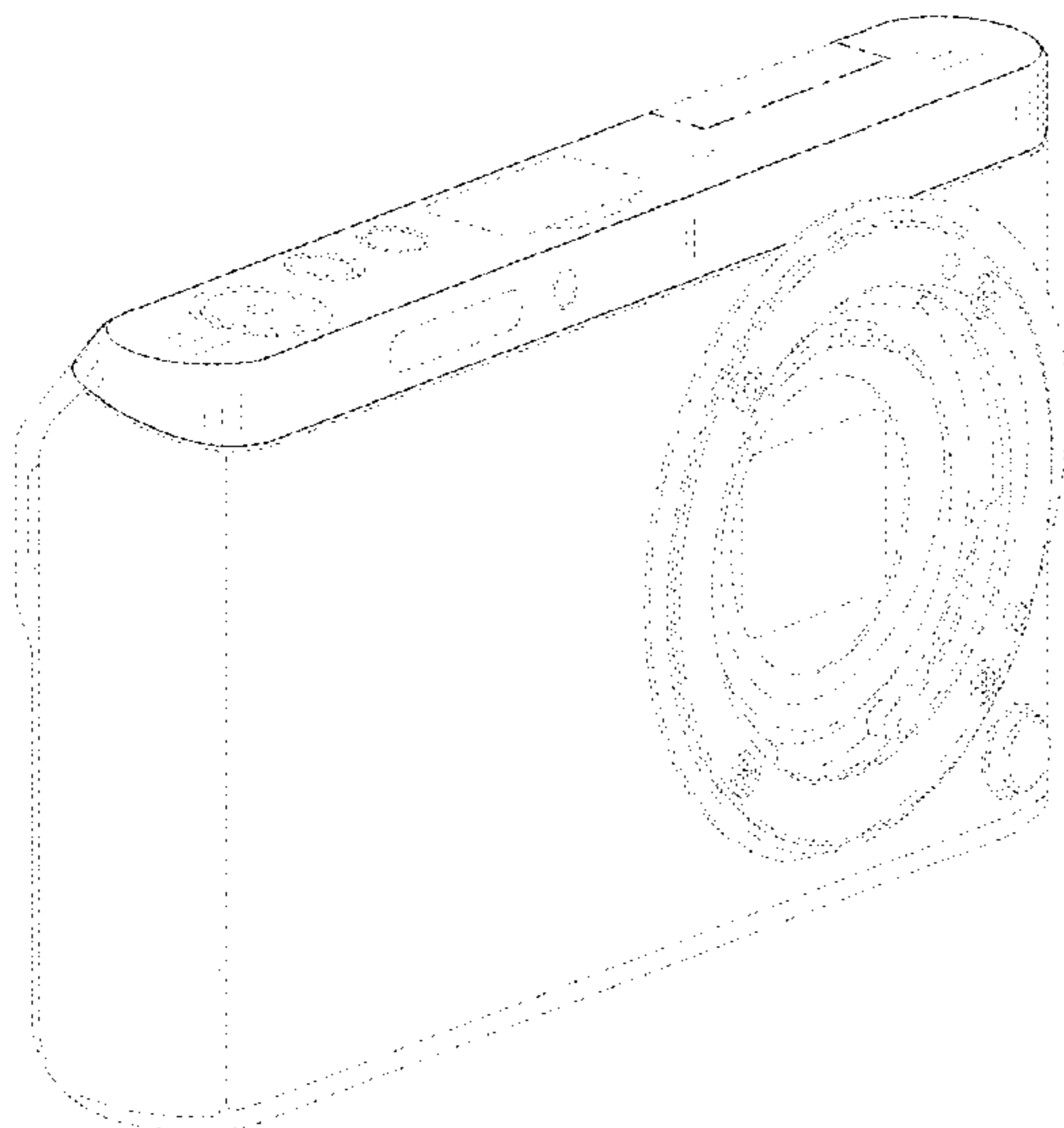


FIG. 1

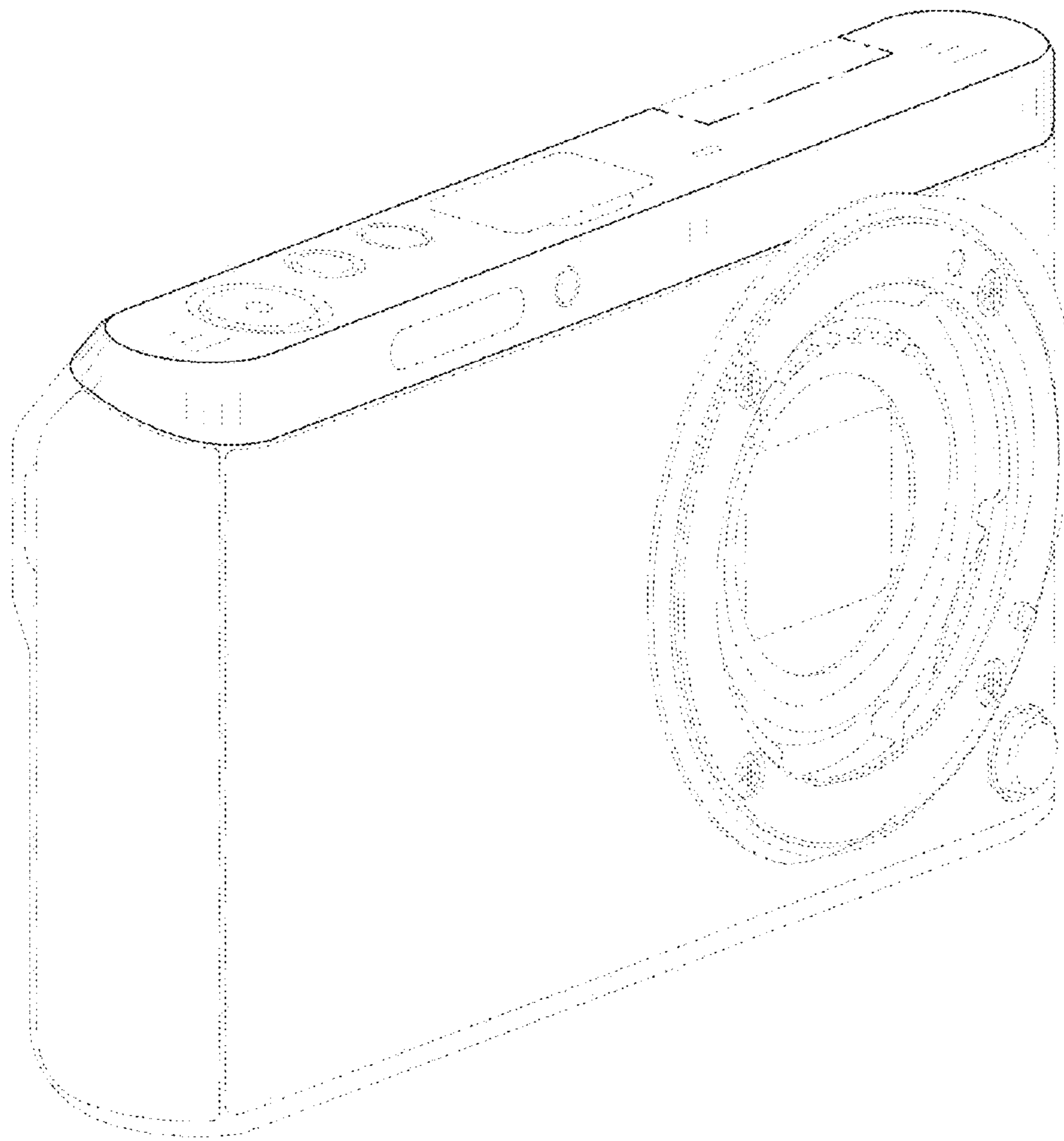


FIG. 2

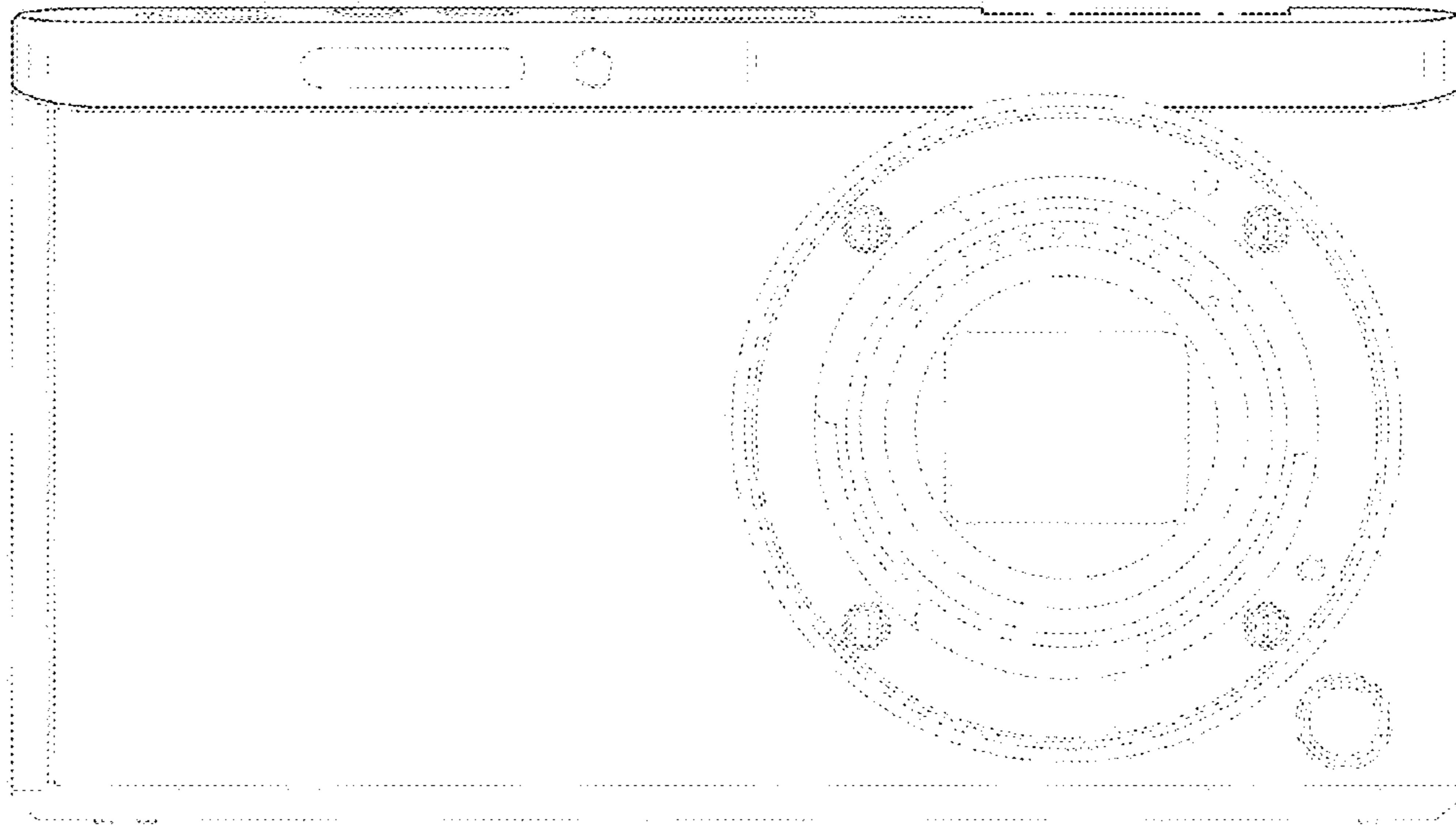


FIG. 3

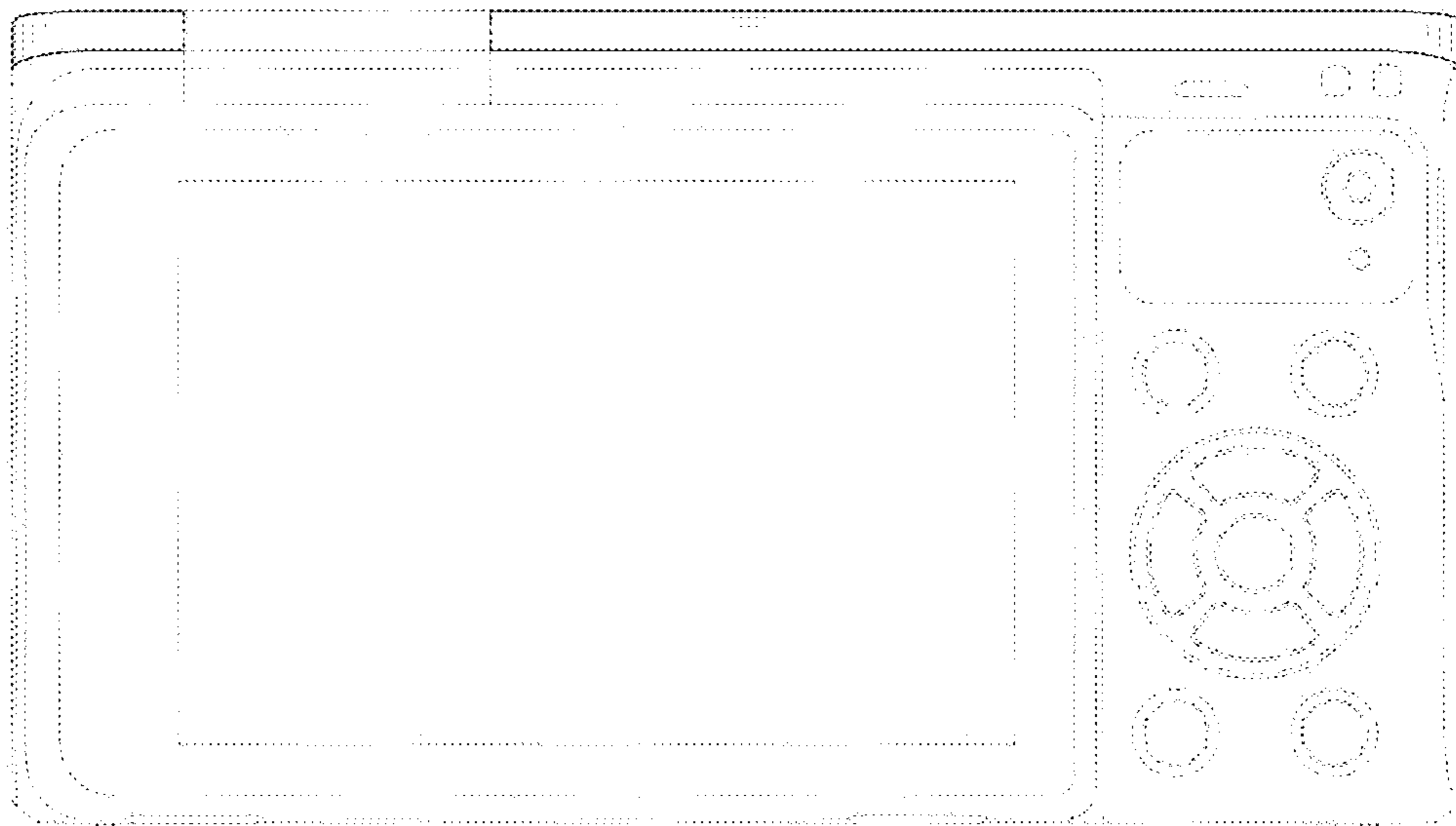


FIG. 4

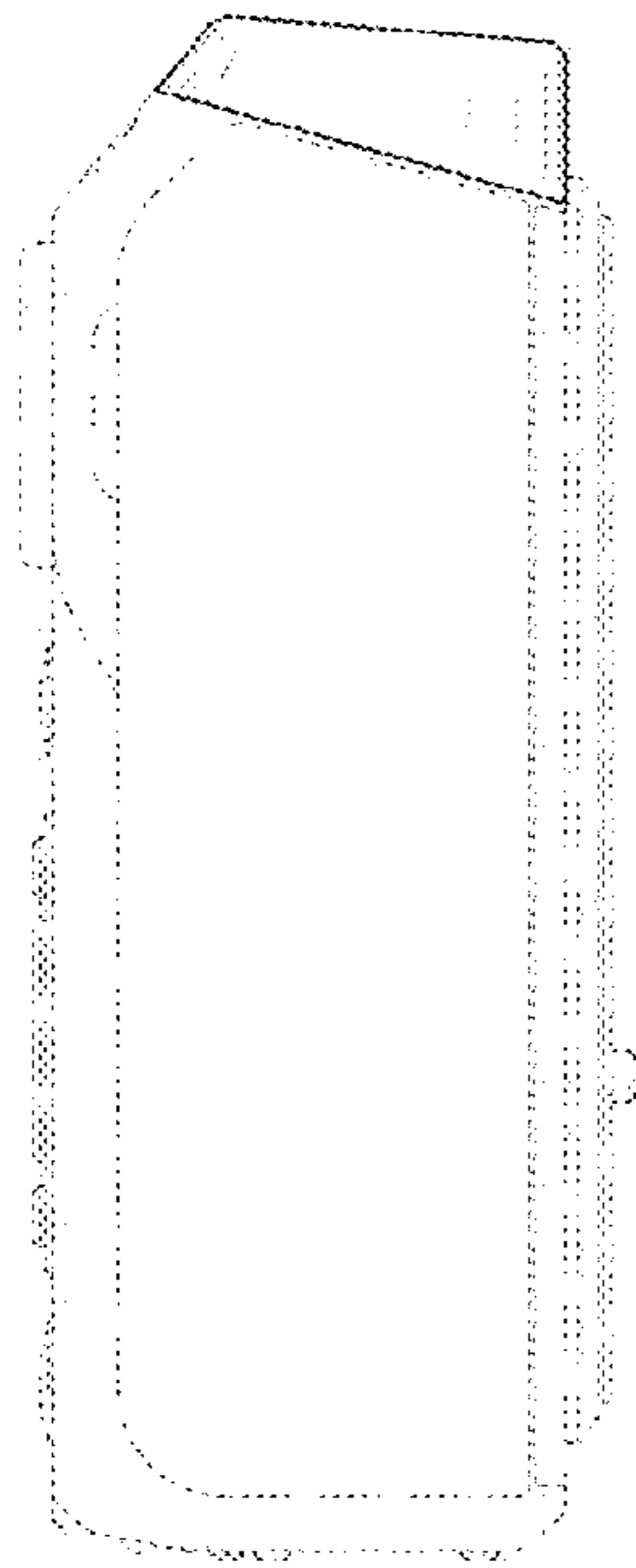


FIG. 5

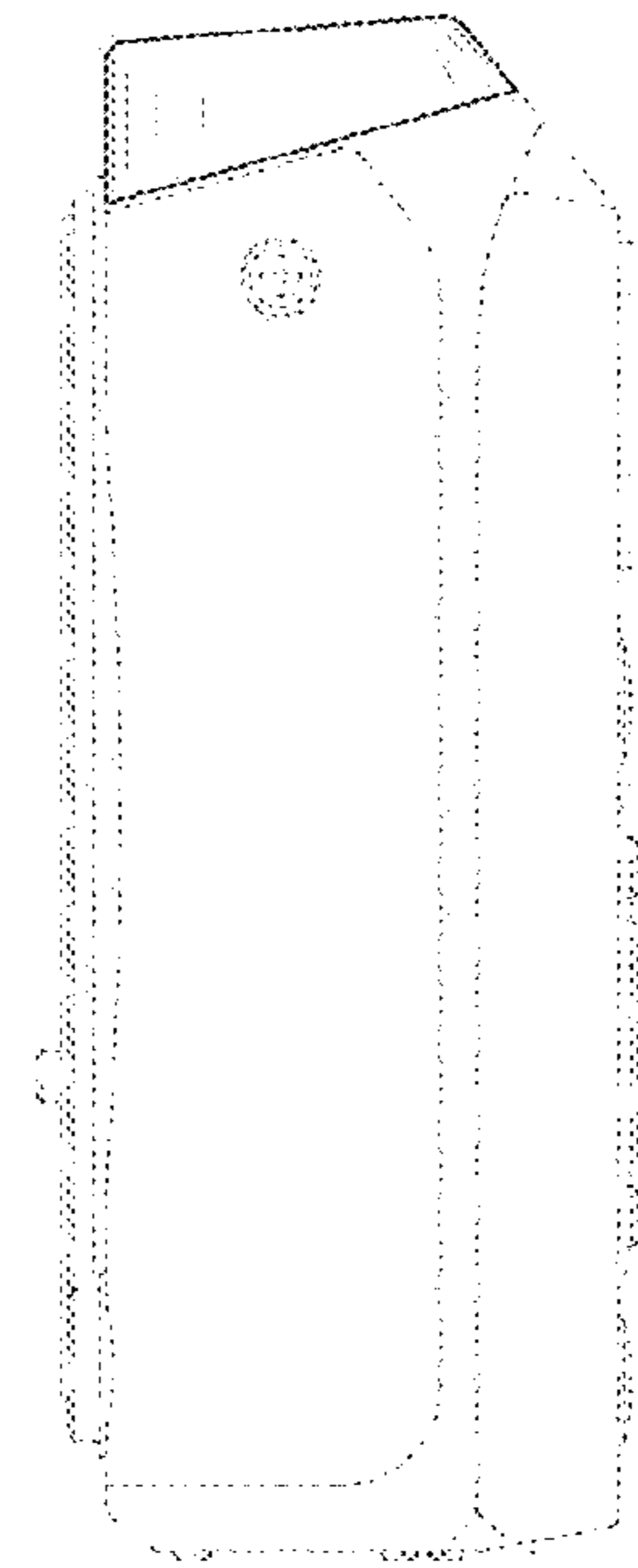


FIG. 6

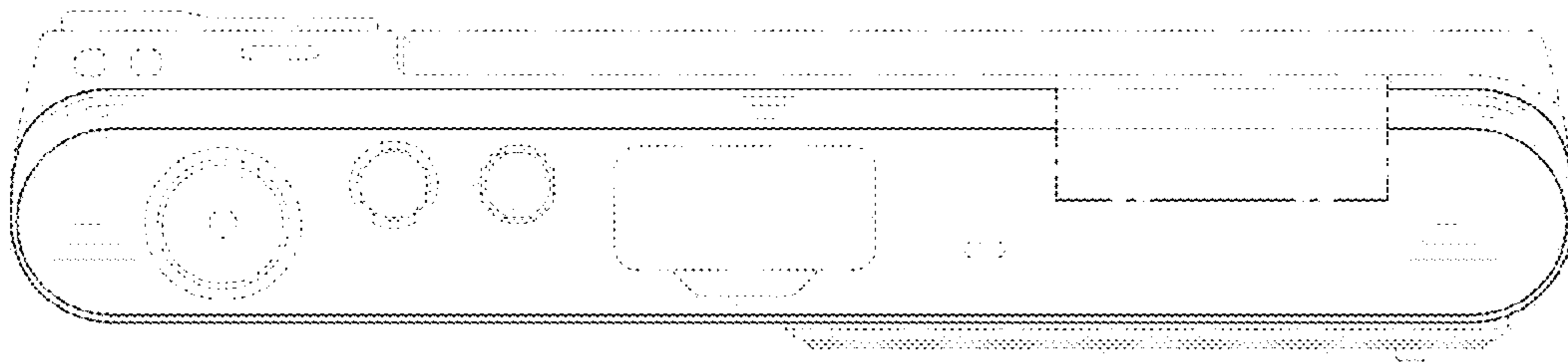


FIG. 7



FIG. 8

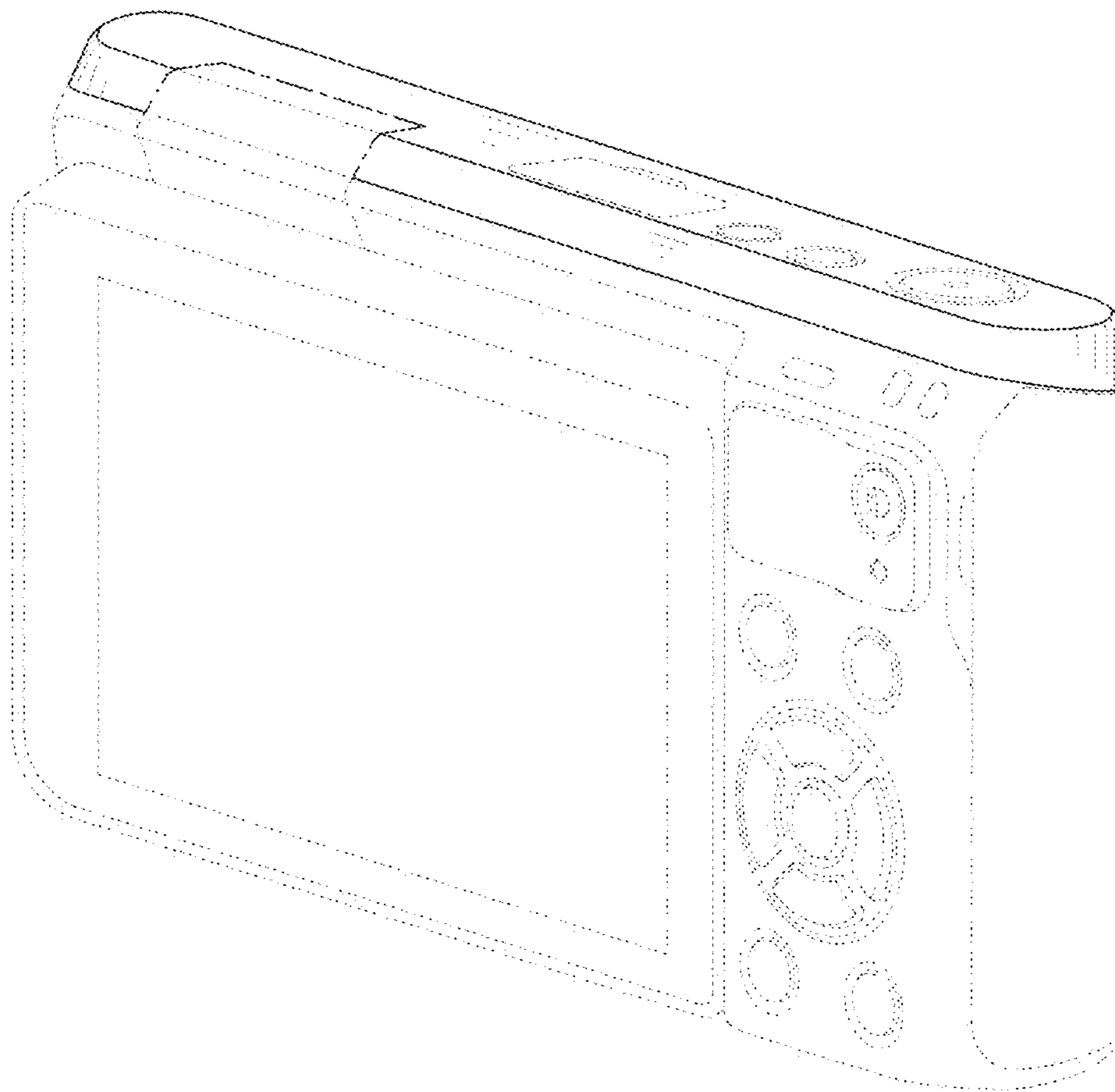




FIG. 9

