



US00D746889S

(12) **United States Design Patent**
Moon et al.

(10) **Patent No.:** **US D746,889 S**
(45) **Date of Patent:** **** Jan. 5, 2016**

- (54) **SURVEILLANCE CAMERA**
- (71) Applicant: **HANWHA TECHWIN CO., LTD.**,
Changwon-Si (KR)
- (72) Inventors: **Mi Jung Moon**, Changwon-si (KR);
Hyun Kyu Park, Changwon-si (KR)
- (73) Assignee: **Hanwha Techwin Co., Ltd.**,
Changwon-si (KR)

D517,584	S	*	3/2006	Chen	D16/202
D517,587	S	*	3/2006	Eroma et al.	D16/218
D542,820	S	*	5/2007	Depay	D16/202
D564,559	S	*	3/2008	Stephens et al.	D16/208
D614,220	S	*	4/2010	Goldenberg	D16/200
D618,265	S	*	6/2010	Wozniak	D16/202
D636,424	S	*	4/2011	Lin		
D692,473	S	*	10/2013	Kawaguchi et al.	D16/202
D697,119	S	*	1/2014	Park et al.	D16/203
D710,927	S	*	8/2014	Eynav	D16/242
2005/0185087	A1	*	8/2005	Chiu et al.	348/373
2012/0019658	A1	*	1/2012	Mironichev et al.	348/143

(**) Term: **14 Years**

(21) Appl. No.: **29/495,710**

(22) Filed: **Jul. 3, 2014**

(30) **Foreign Application Priority Data**

Jan. 3, 2014 (KR) 30-2014-0000414

(51) **LOC (10) Cl.** **16-01**

(52) **U.S. Cl.**
USPC **D16/203**

(58) **Field of Classification Search**
USPC D16/200, 202–208, 218, 219, 242;
348/143, 148, 151, 373–376; 396/419,
396/427, 535, 539–541; 248/176.1, 187.1
CPC G03B 17/02; G03B 19/04; G03B 17/56;
G03B 17/04; G03B 15/03; H04N 5/2251;
H04N 5/2252; H04N 5/2253; H04N 5/2254;
H04N 7/181; H04N 7/183; H04N 7/18;
G08B 13/1963; G08B 13/19619; G08B
13/19632
See application file for complete search history.

(56) **References Cited**

U.S. PATENT DOCUMENTS

D410,480	S	*	6/1999	Takagi	D16/202
D470,874	S	*	2/2003	Chiu	D16/202

FOREIGN PATENT DOCUMENTS

KR 30-2011-0052101 S 12/2012

* cited by examiner

Primary Examiner — Adir Aronovich
Assistant Examiner — Ramzi Almatrahi

(74) *Attorney, Agent, or Firm* — Sughrue Mion, PLLC

(57) **CLAIM**

The ornamental design for a surveillance camera, as shown and described.

DESCRIPTION

FIG. 1 is a perspective view of a surveillance camera shown in a folded configuration;
FIG. 2 is a front elevational view thereof;
FIG. 3 is a rear elevational view thereof;
FIG. 4 is a left side elevational view thereof;
FIG. 5 is a right side elevational view thereof;
FIG. 6 is a top plan view thereof;
FIG. 7 is a bottom plan view thereof; and,
FIG. 8 is a perspective view of a surveillance camera shown in an unfolded configuration.

1 Claim, 7 Drawing Sheets

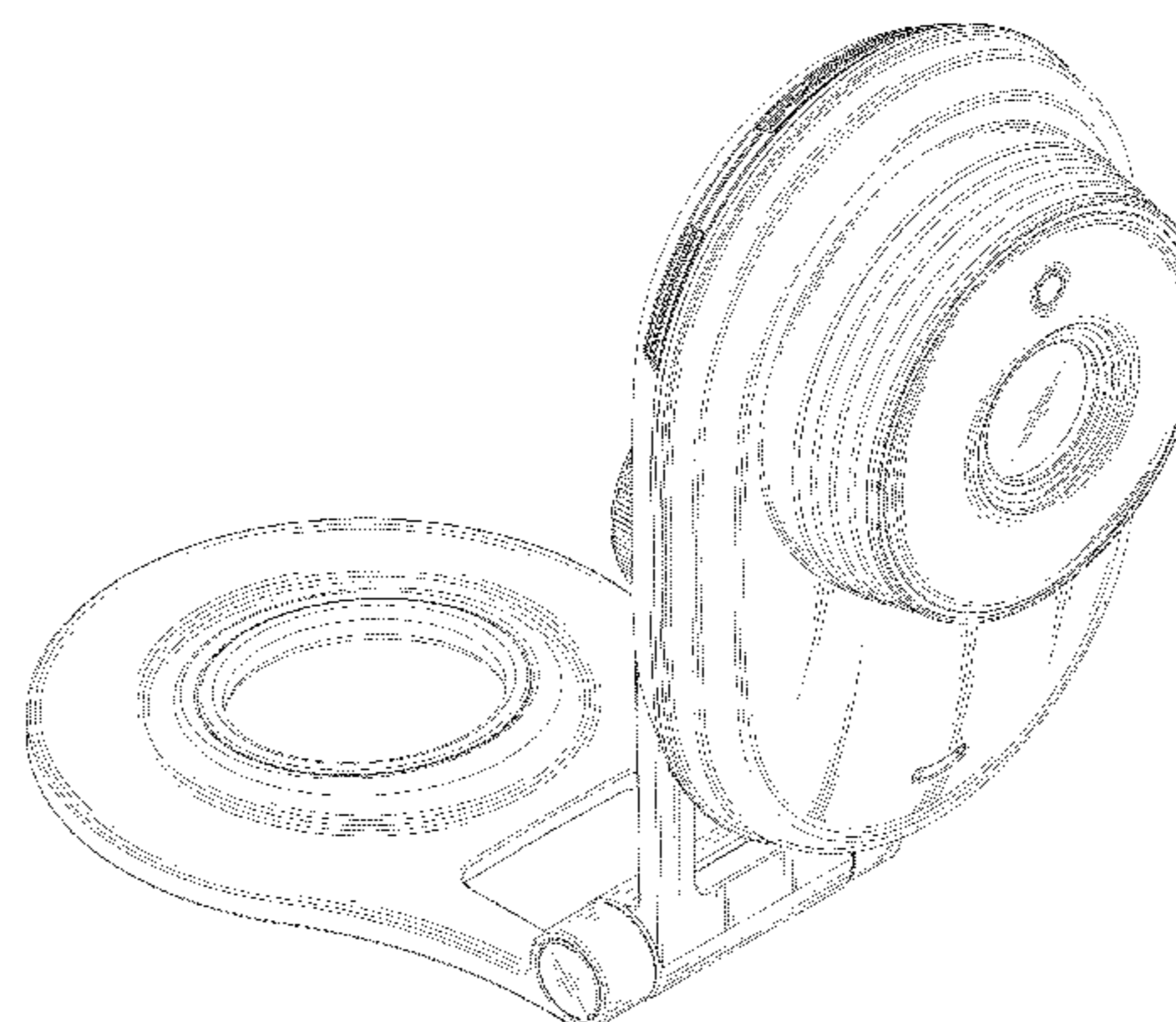
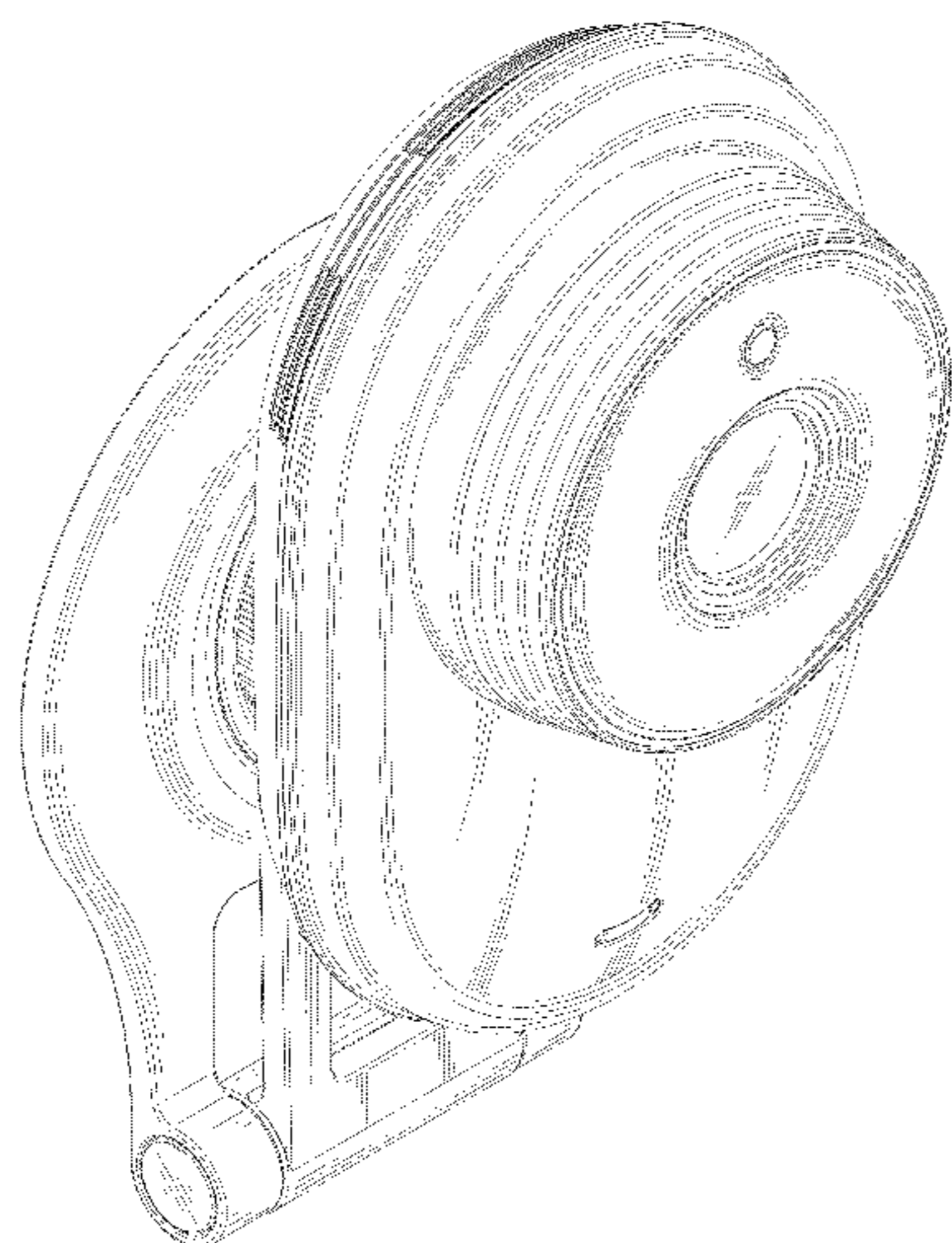


FIG. 1

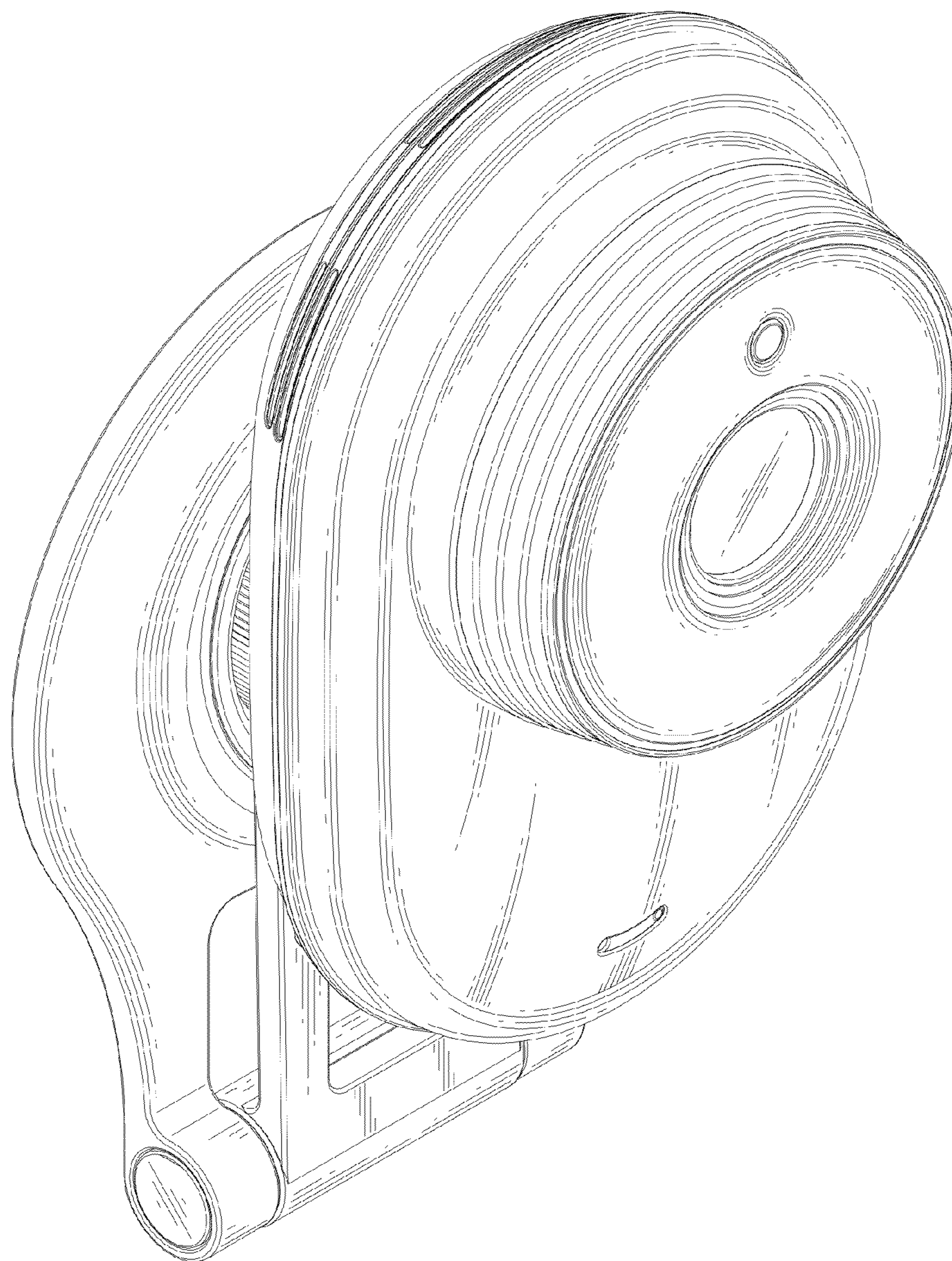


FIG. 2

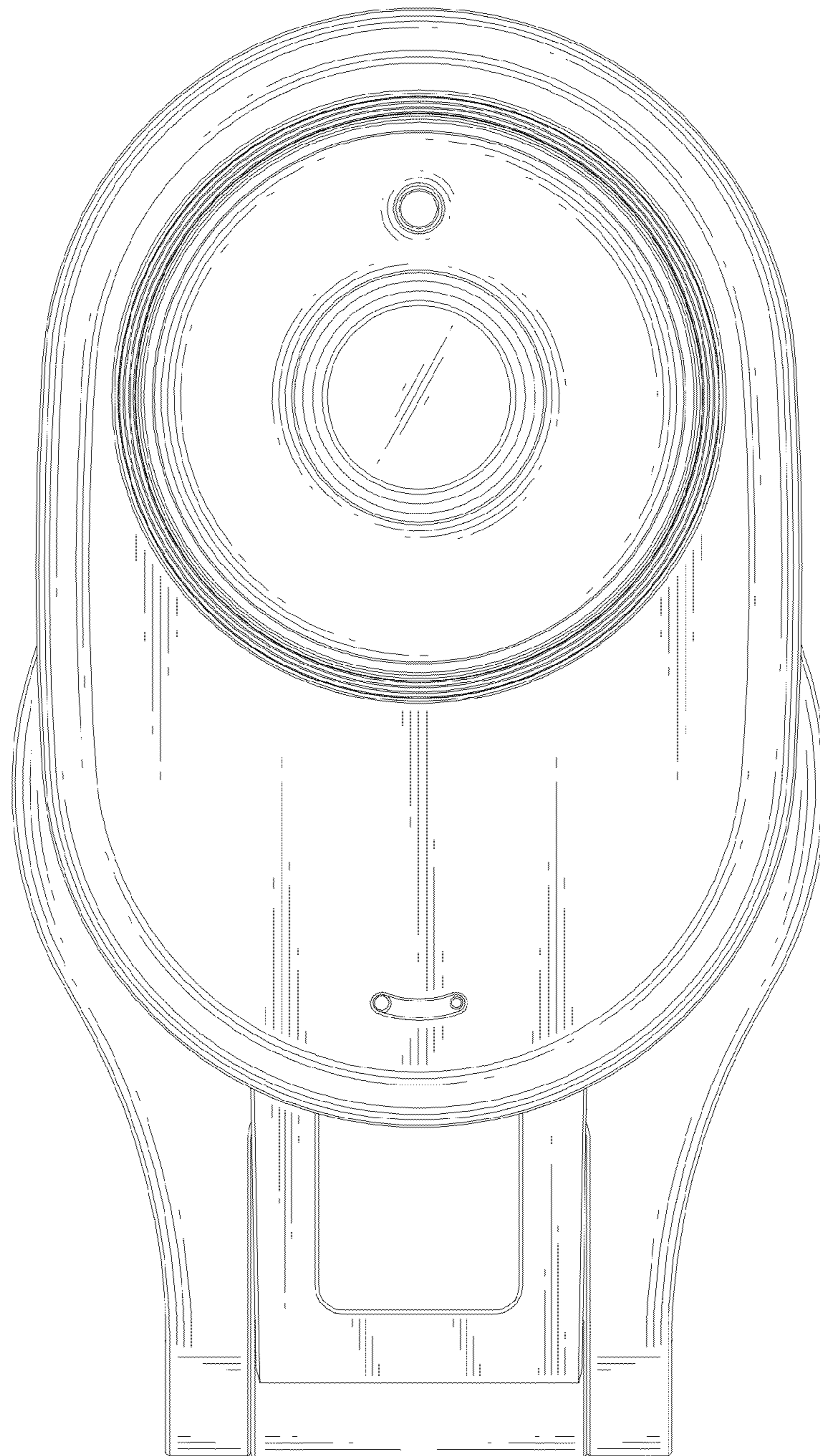


FIG. 3

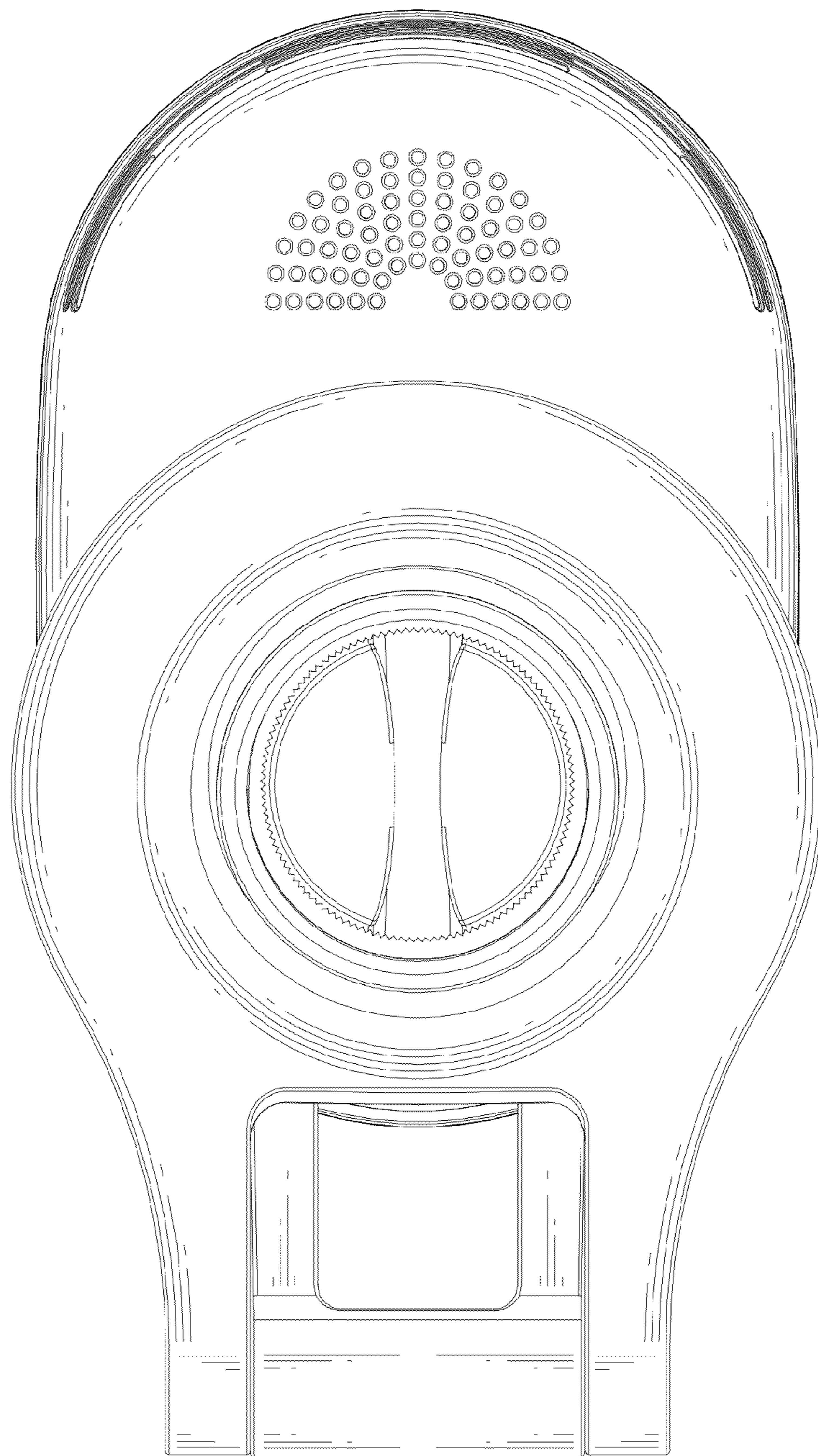


FIG. 4

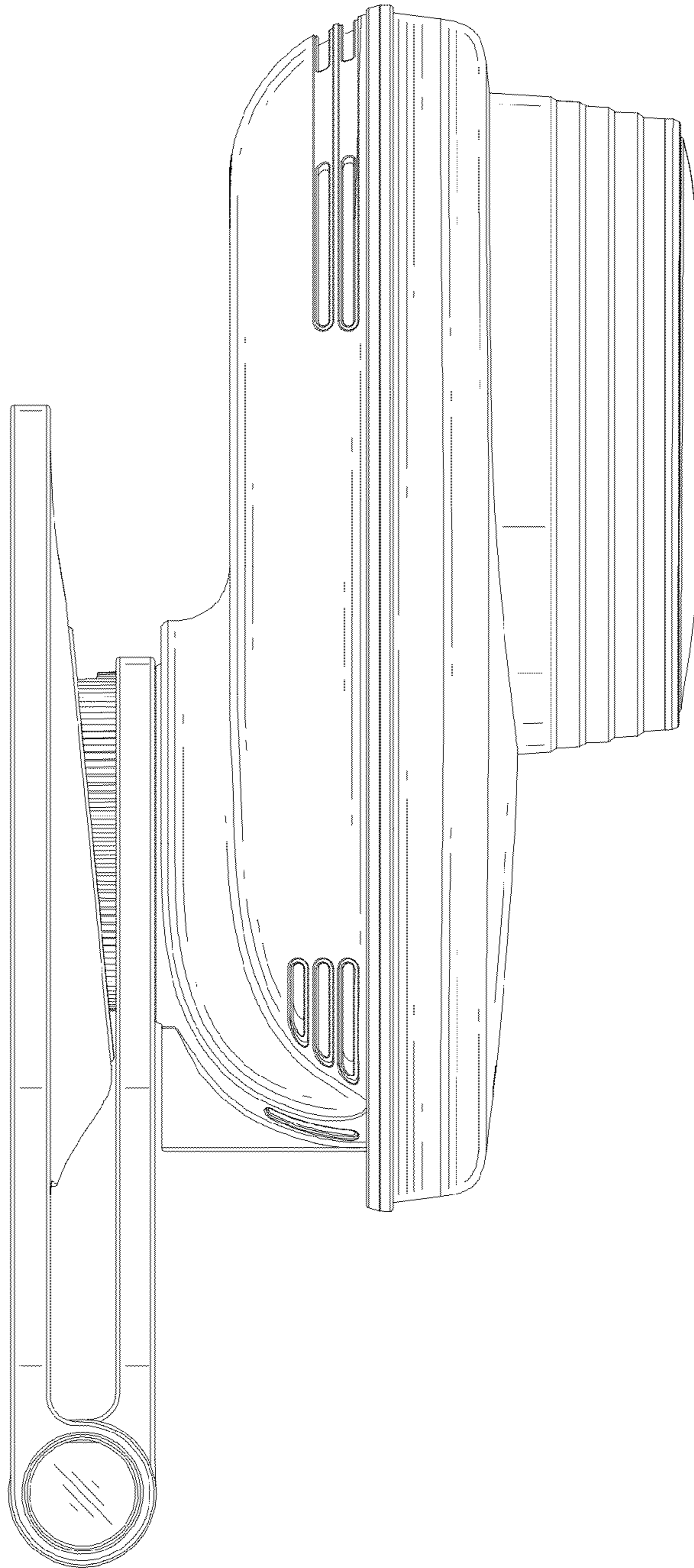


FIG. 5

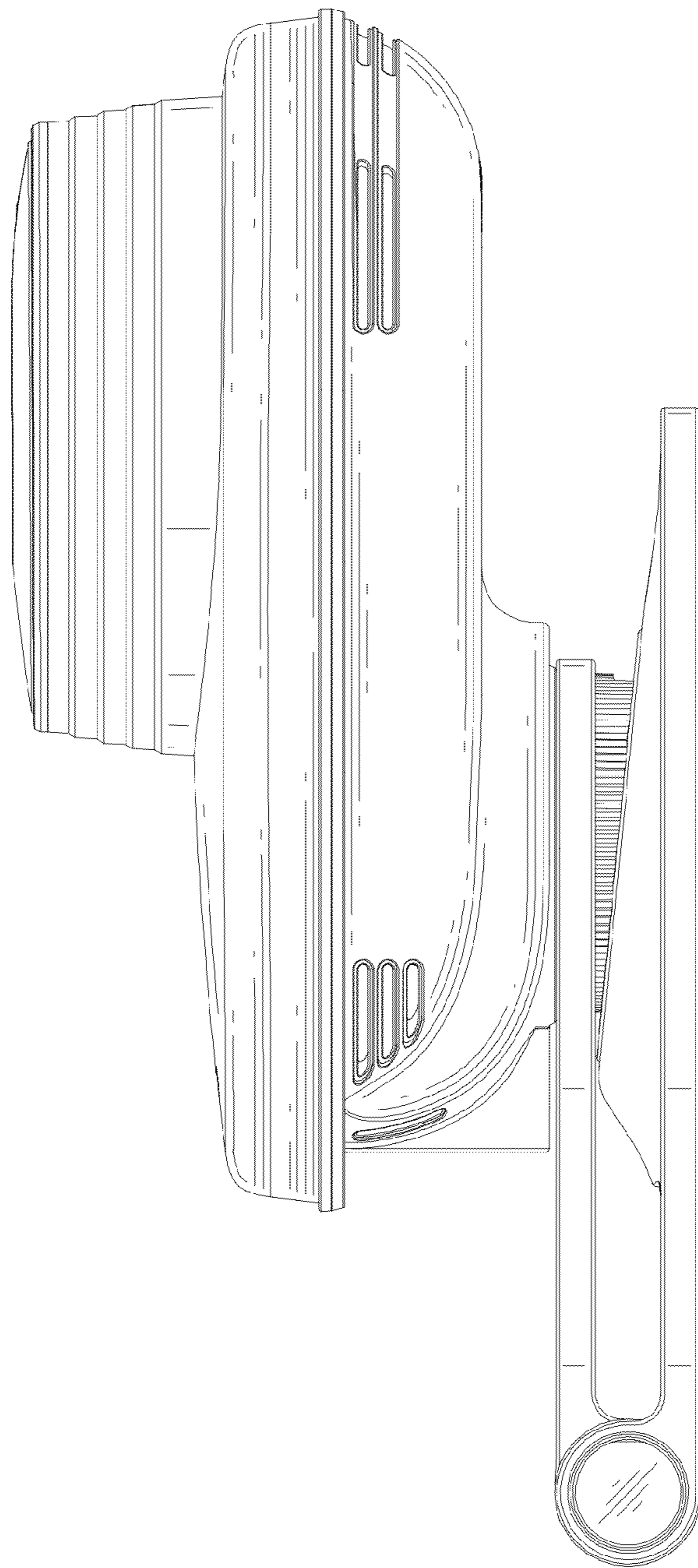


FIG. 6

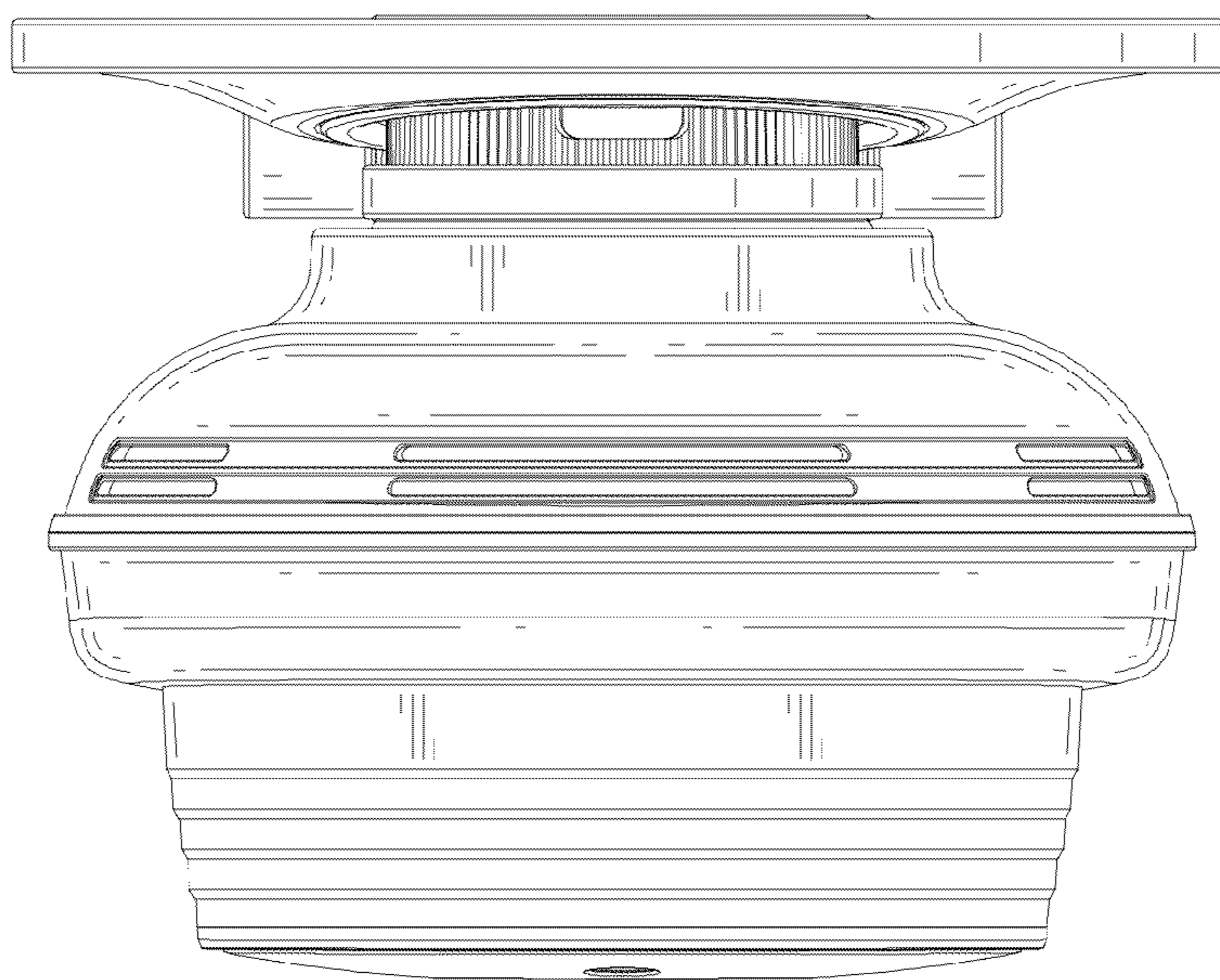


FIG. 7

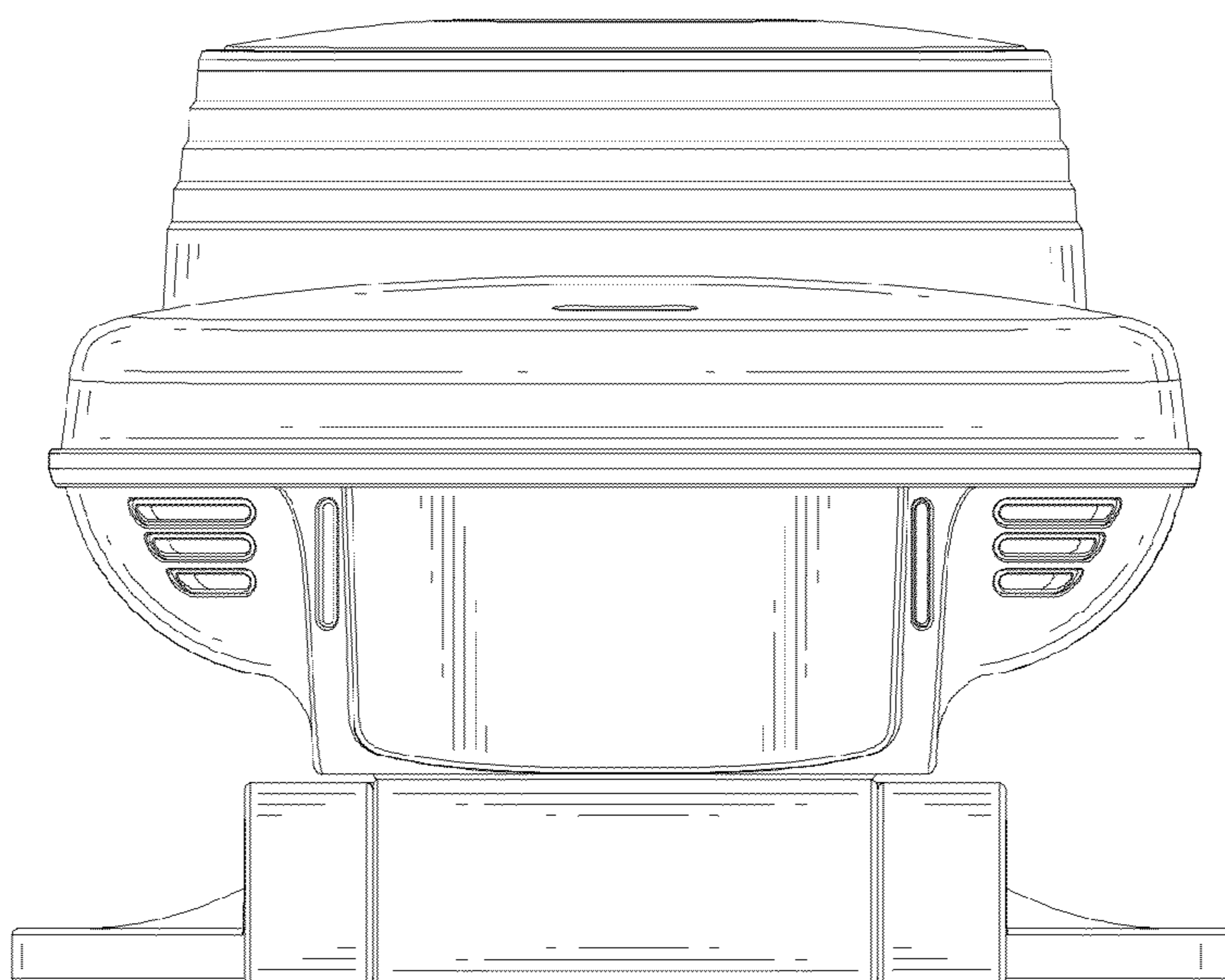


FIG. 8

