



US00D746888S

(12) **United States Design Patent**  
**Mullins**

(10) **Patent No.:** **US D746,888 S**  
(45) **Date of Patent:** **\*\* Jan. 5, 2016**

- (54) **DATA RECORDING DEVICE**
- (71) Applicant: **Digital Ally, Inc.**, Lenexa, KS (US)
- (72) Inventor: **Kirk E. Mullins**, Raytown, MO (US)
- (73) Assignee: **Digital Ally, Inc.**, Lenexa, KS (US)
- (\*\*) Term: **14 Years**
- (21) Appl. No.: **29/507,188**
- (22) Filed: **Oct. 24, 2014**
- (51) **LOC (10) Cl.** ..... **16-01**
- (52) **U.S. Cl.**  
USPC ..... **D16/202**
- (58) **Field of Classification Search**  
USPC ..... D16/200, 202–205, 208, 209, 218, 219;  
D14/125, 317, 496, 507; 348/373–376;  
396/535, 539–541  
CPC ..... G03B 15/03; G03B 17/02; G03B 17/04;  
G03B 17/56; G03B 19/04; H04N 5/2251;  
H04N 5/2252; H04N 5/2253; H04N 5/2254;  
H04N 2101/00  
See application file for complete search history.

- 7,507,041 B2 \* 3/2009 Ueda ..... G03B 17/02  
348/375
- D616,901 S \* 6/2010 Ward ..... D14/507
- D628,221 S \* 11/2010 Chen ..... D16/202
- D715,347 S \* 10/2014 Troxel ..... D16/202
- D723,602 S \* 3/2015 Brickstad ..... D16/202

\* cited by examiner

*Primary Examiner* — Adir Aronovich  
*Assistant Examiner* — Ramzi Almatrahi  
(74) *Attorney, Agent, or Firm* — Erise IP, P.A.

(57) **CLAIM**  
The ornamental design for a data recording device, as shown and described.

**DESCRIPTION**

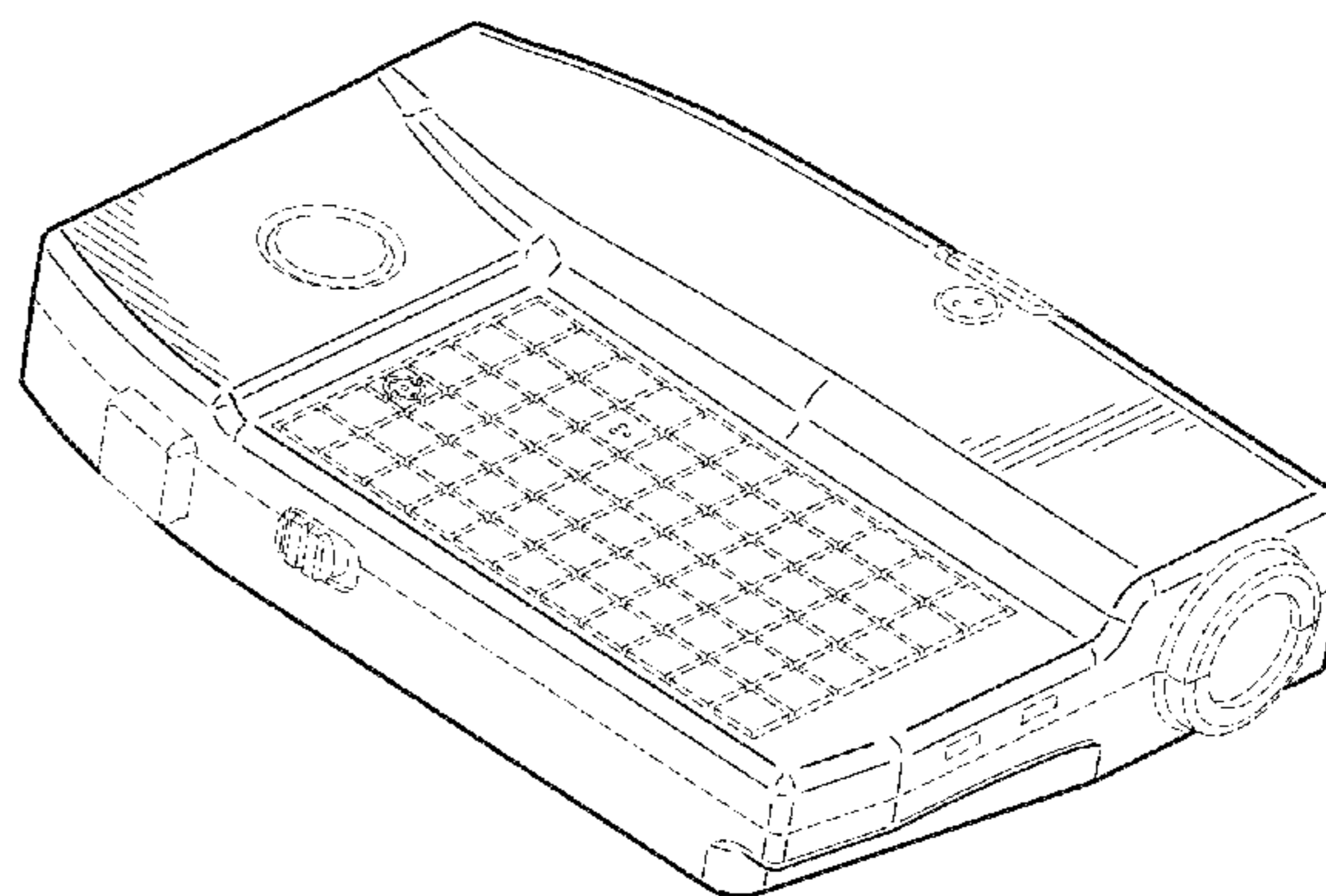
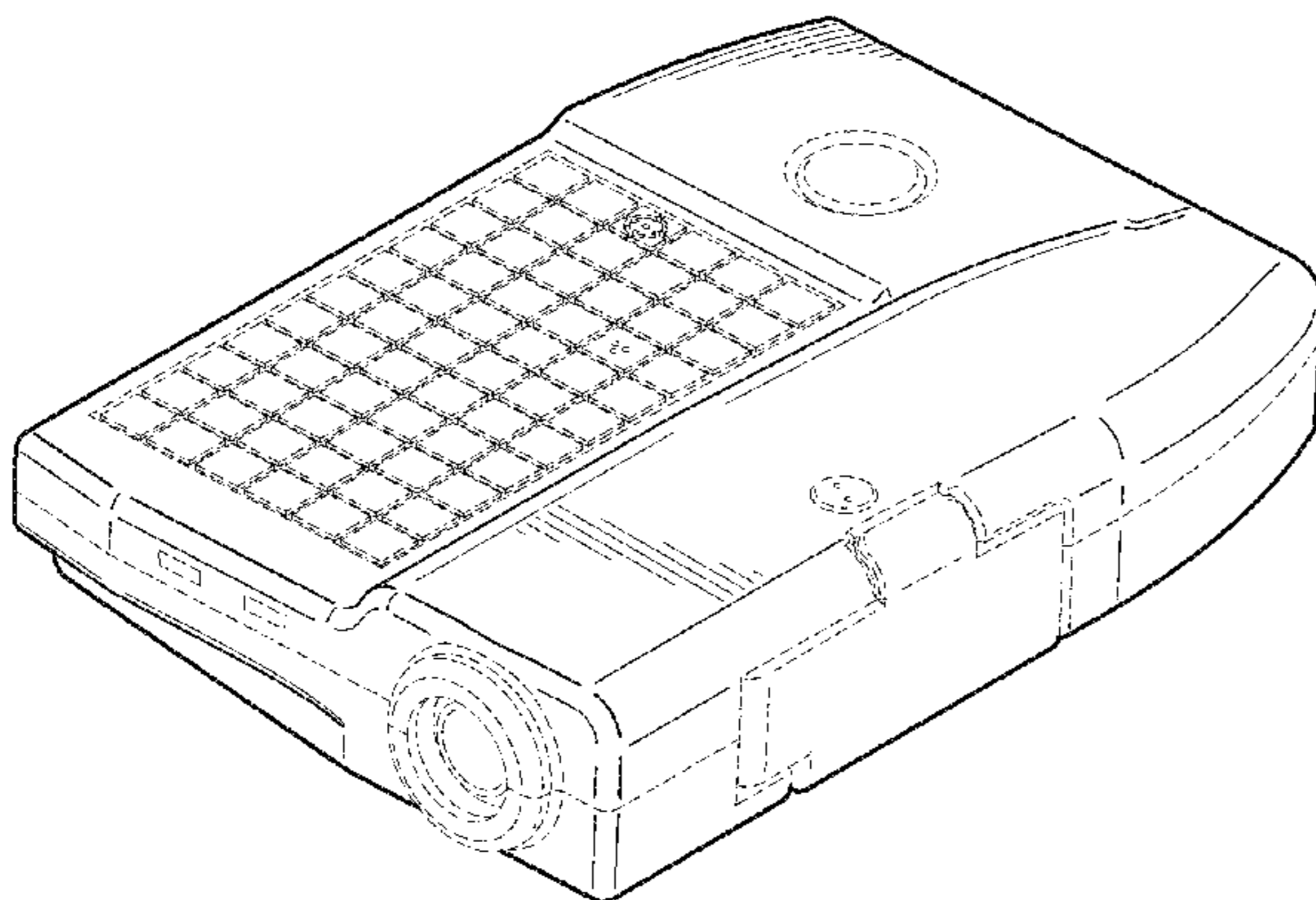
FIG. 1 is a top, front and left side perspective view of a data recording device showing my new design;  
FIG. 2 is a top, front and right side perspective view of the data recording device of FIG. 1;  
FIG. 3 is a bottom, front and right side perspective view of the data recording device of FIG. 1;  
FIG. 4 is a top plan view of the data recording device of FIG. 1;  
FIG. 5 is a bottom plan view of the data recording device of FIG. 1;  
FIG. 6 is a front elevation view of the data recording device of FIG. 1;  
FIG. 7 is a rear elevation view of the data recording device of FIG. 1;  
FIG. 8 is a left side elevation view of the data recording device of FIG. 1; and,  
FIG. 9 is a right side elevation view of the data recording device of FIG. 1.  
The broken lines depict portions of a data recording device in which the design is embodied and form no part of the claimed design.

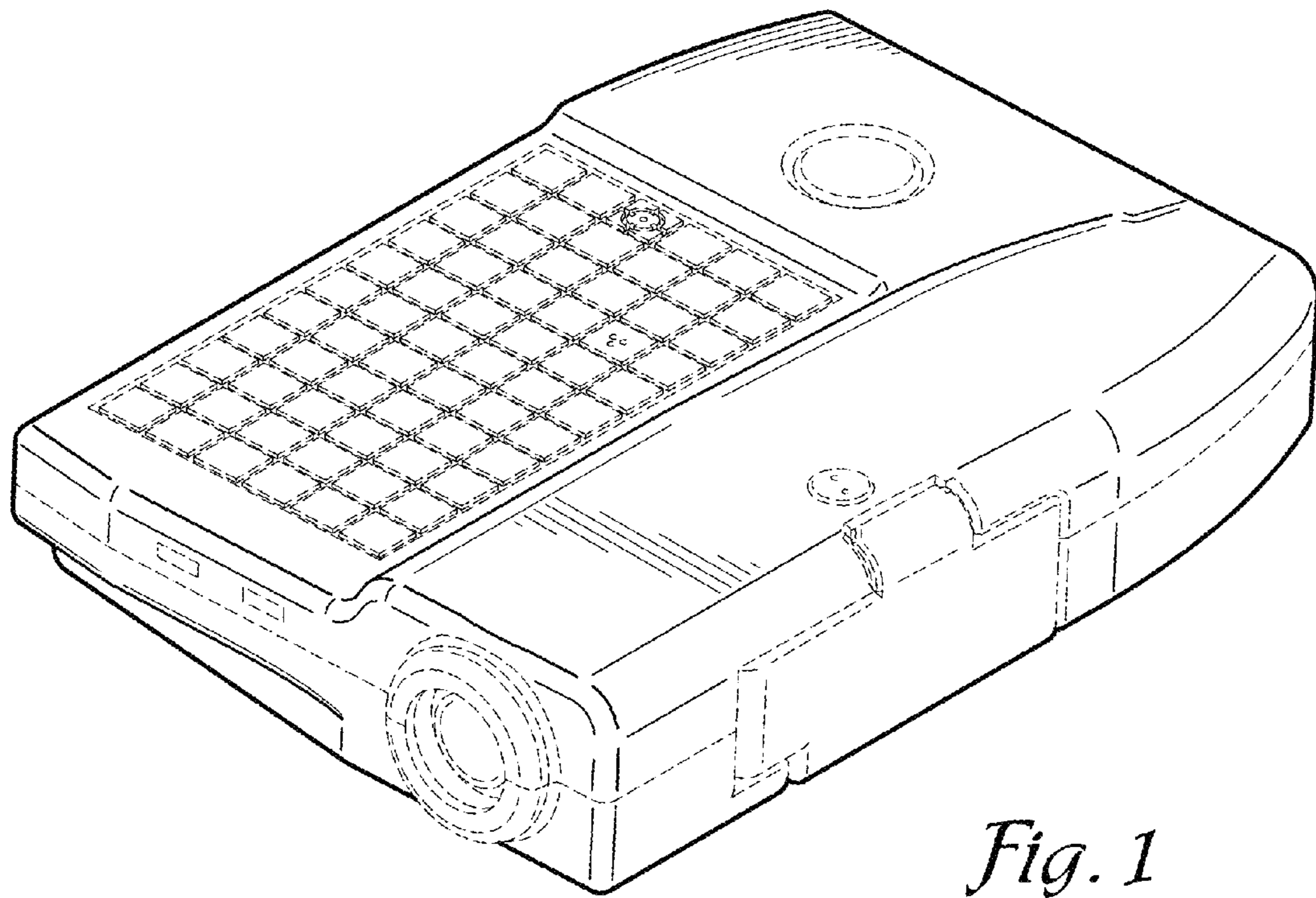
(56) **References Cited**

U.S. PATENT DOCUMENTS

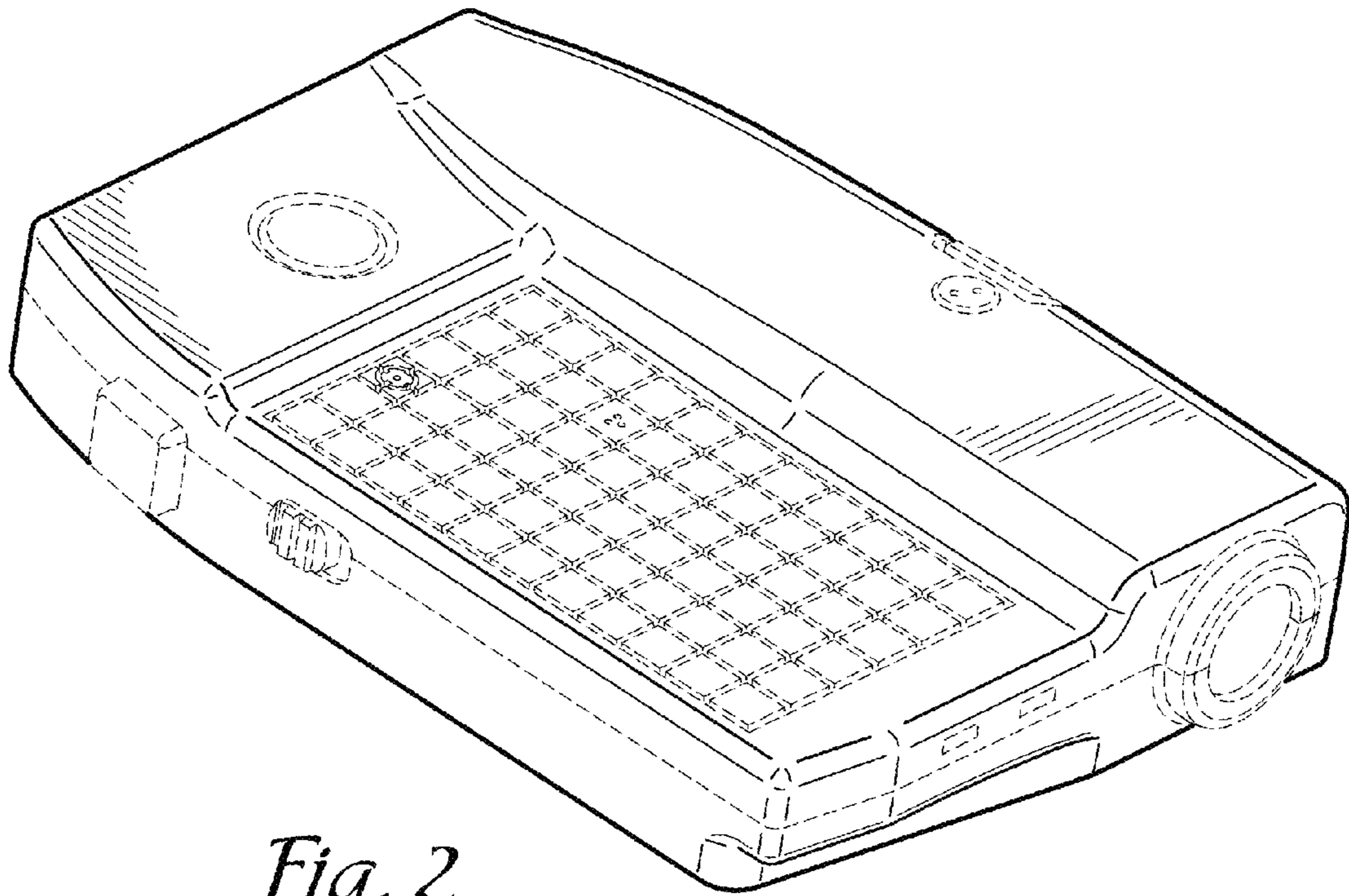
- D401,952 S \* 12/1998 Takizawa ..... D16/202
- D409,583 S \* 5/1999 Nishida ..... D14/317
- D410,663 S \* 6/1999 Ogasawara ..... D16/202
- D411,216 S \* 6/1999 Kawashima ..... D16/202
- 6,912,005 B2 \* 6/2005 Senda ..... H04N 5/23293  
348/333.06
- D534,939 S \* 1/2007 Sheehan ..... D16/208
- D556,801 S \* 12/2007 Kim ..... D16/202
- D564,559 S \* 3/2008 Stephens ..... D16/208

**1 Claim, 7 Drawing Sheets**

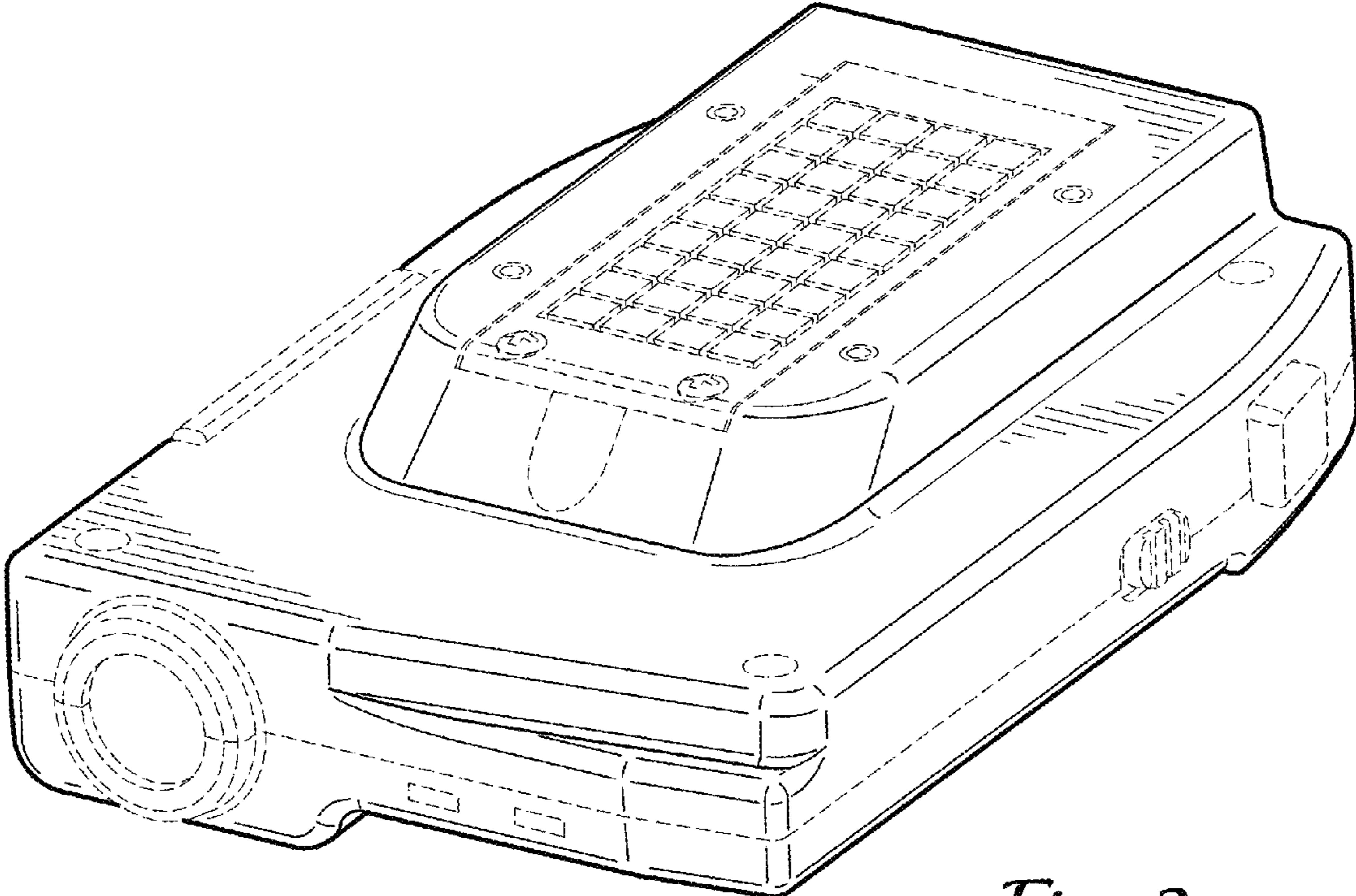




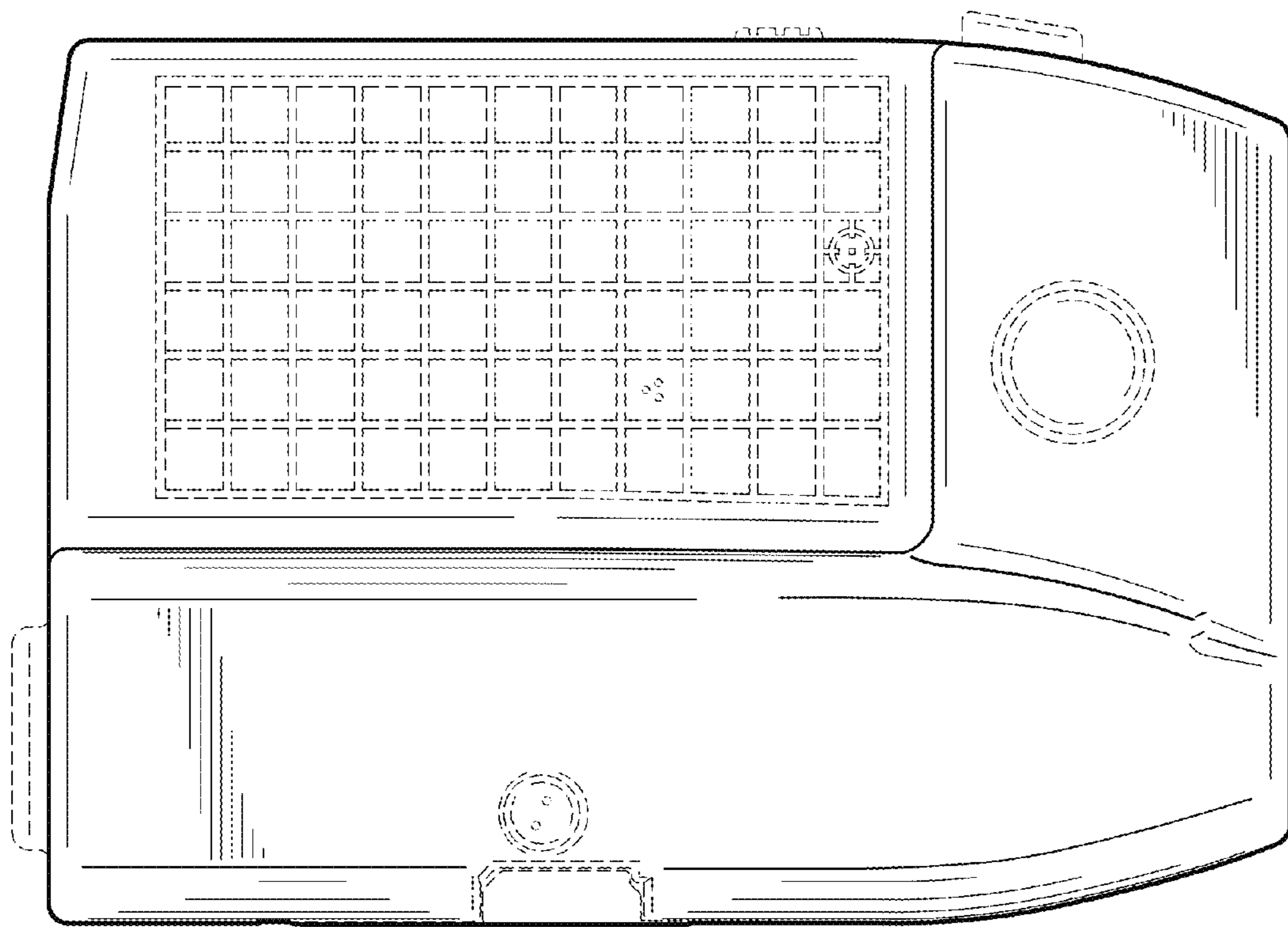
*Fig. 1*



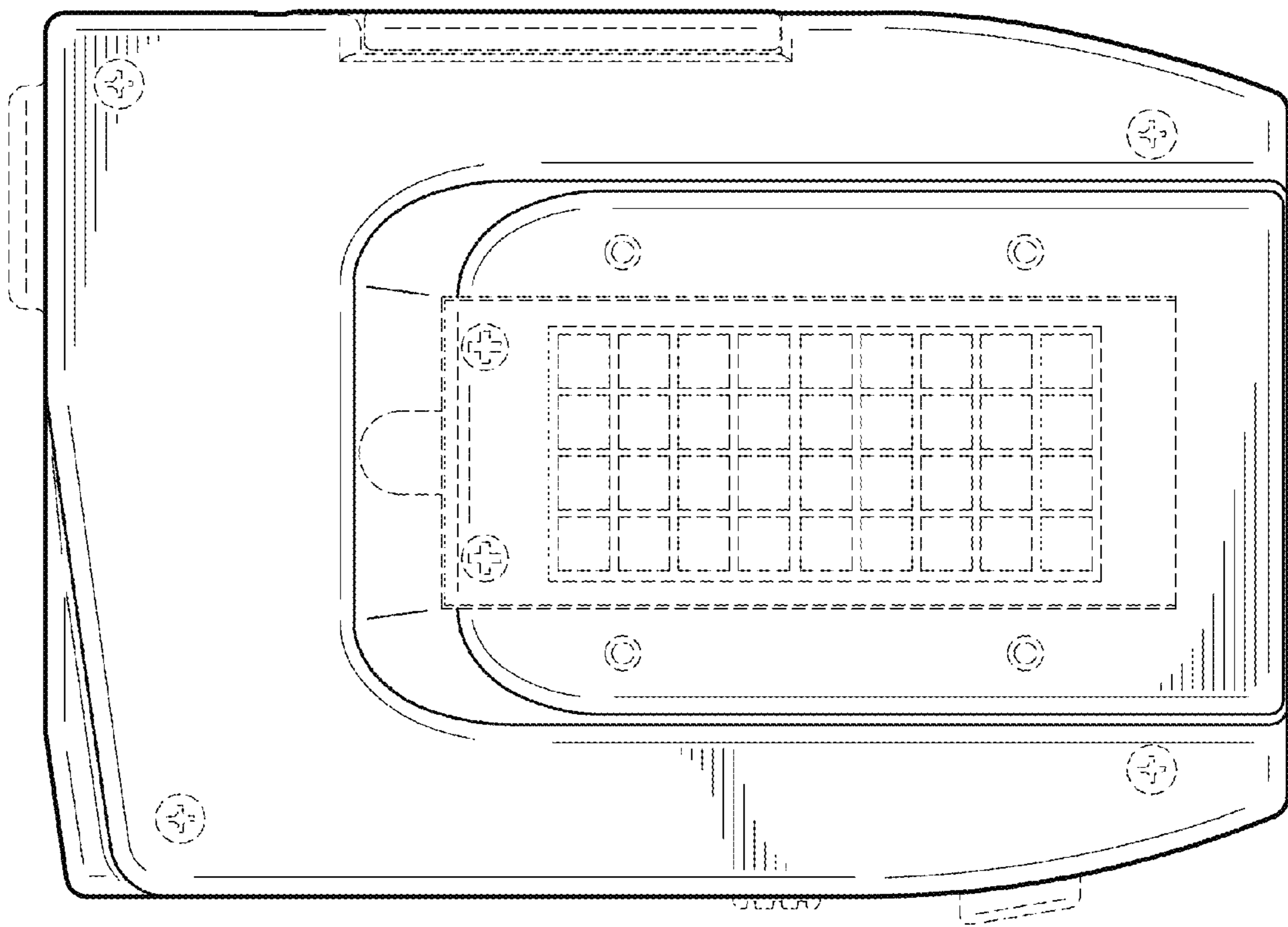
*Fig. 2*



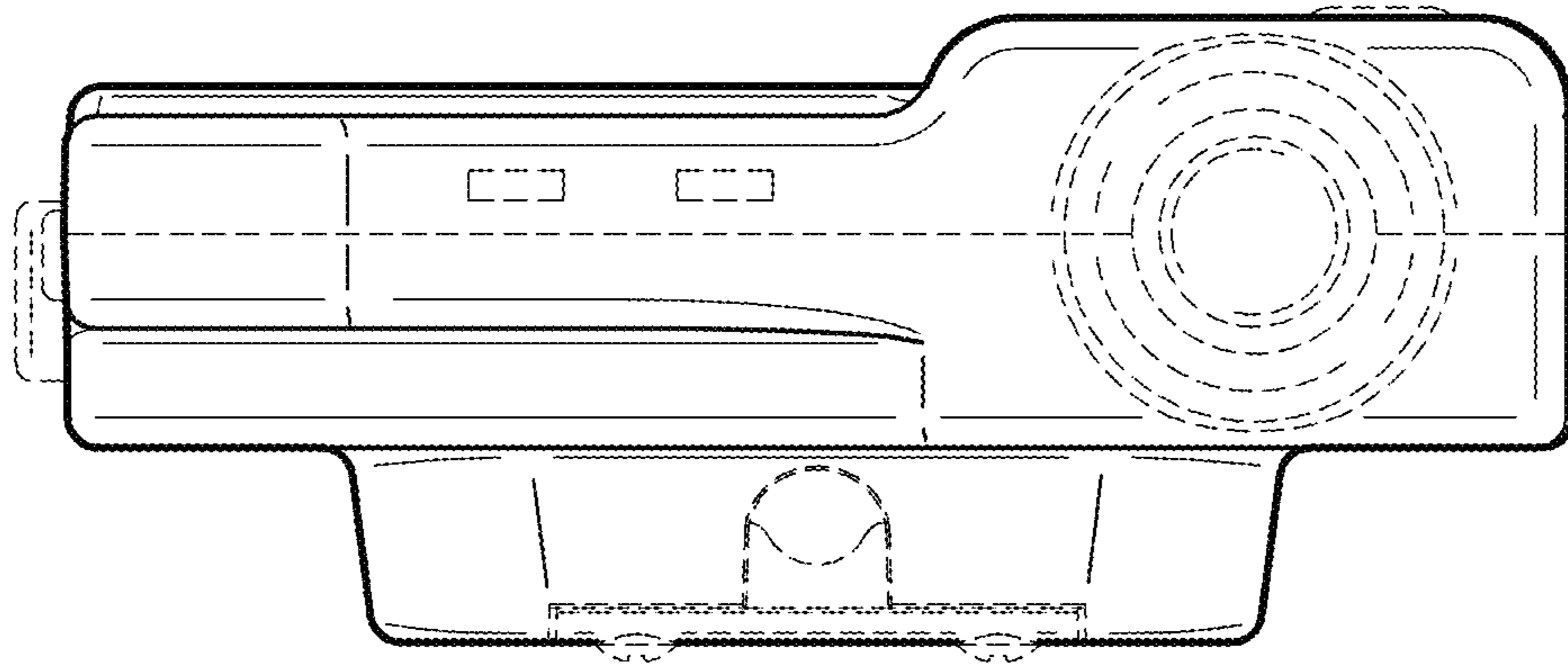
*Fig. 3*



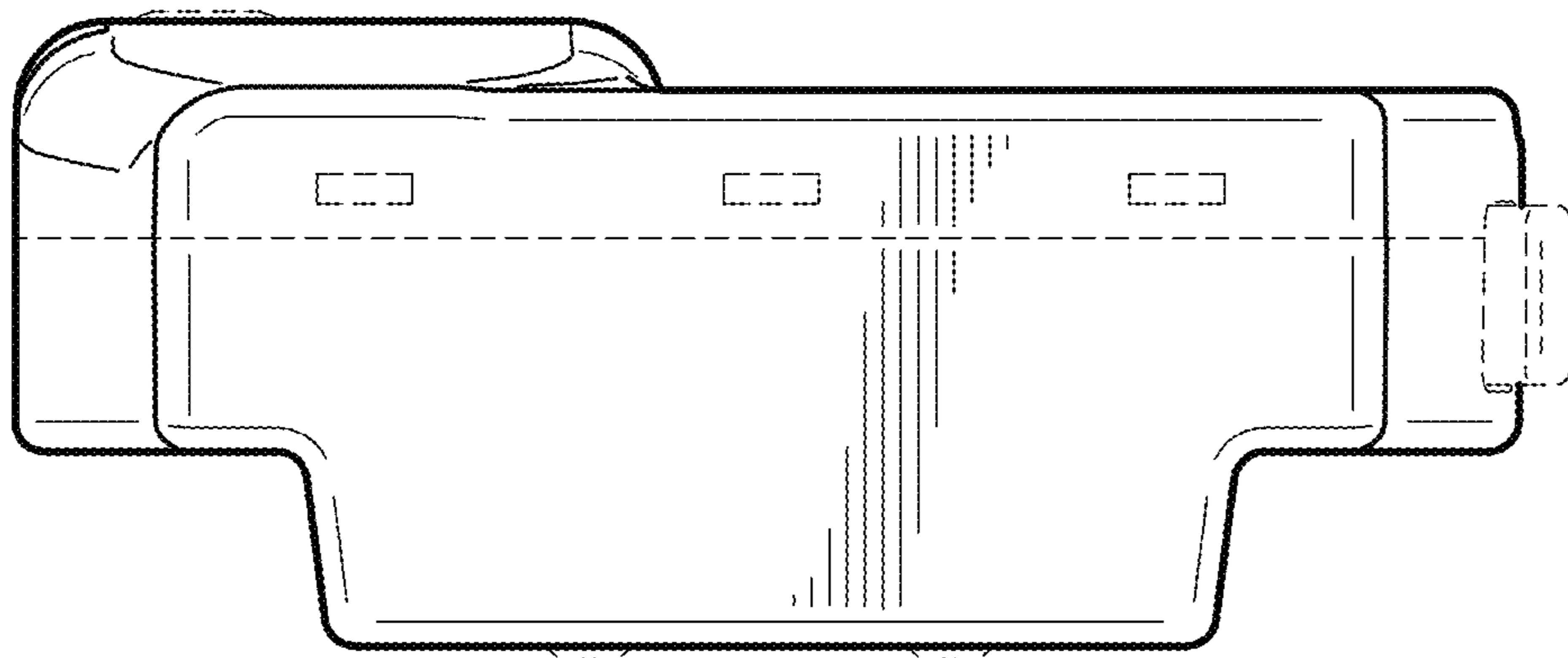
*Fig. 4*



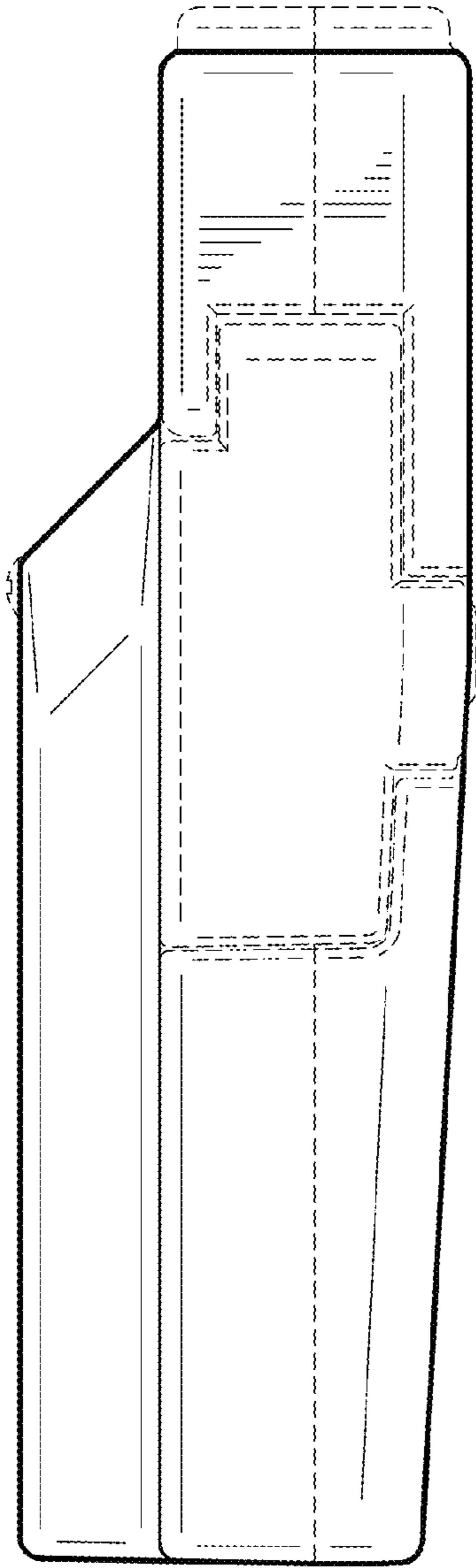
*Fig. 5*



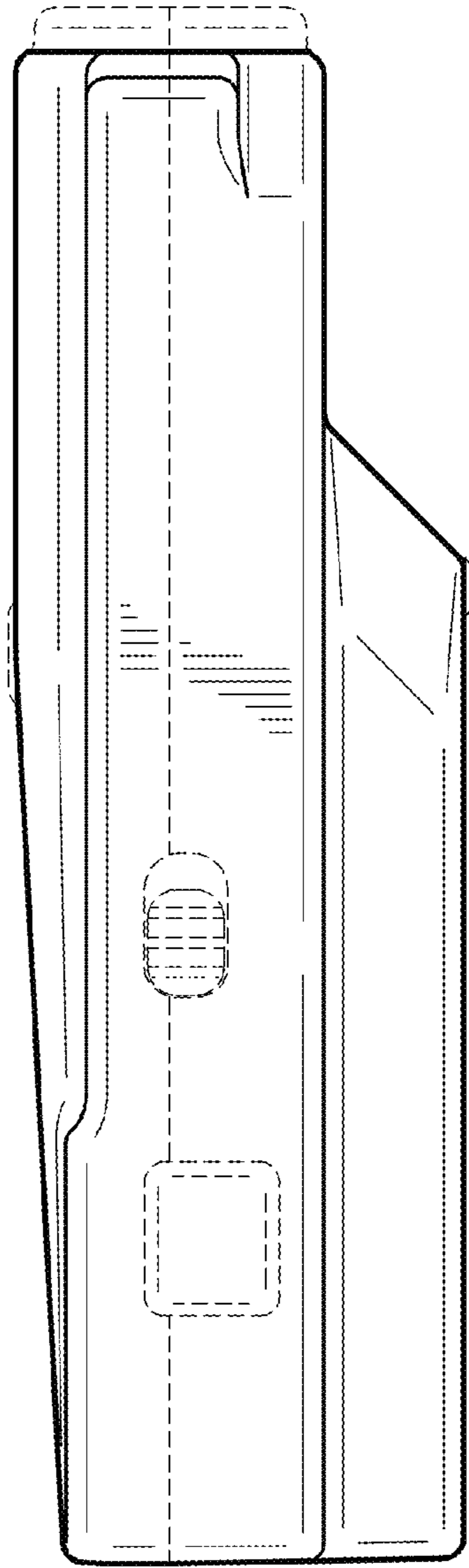
*Fig. 6*



*Fig. 7*



*Fig. 8*



*Fig. 9*