



US00D746885S

(12) **United States Design Patent**
Sato et al.

(10) **Patent No.:** **US D746,885 S**
(45) **Date of Patent:** **** Jan. 5, 2016**

(54) **OPTICAL FIBER FUSION SPLICER**

(71) Applicant: **SEI Optifrontier Co., Ltd.**,
Yokohama-shi (JP)

(72) Inventors: **Ryuichiro Sato**, Yokohama (JP);
Hiroyasu Toyooka, Yokohama (JP);
Kensuke Ito, Yokohama (JP)

(73) Assignee: **SEI Optifrontier Co., Ltd.**,
Yokohama-shi (JP)

(**) Term: **14 Years**

(21) Appl. No.: **29/471,337**

(22) Filed: **Oct. 30, 2013**

(51) **LOC (10) Cl.** **15-09**

(52) **U.S. Cl.**
USPC **D15/144**

(58) **Field of Classification Search**
USPC D15/127, 144, 144.1, 144.2
See application file for complete search history.

(56) **References Cited**

U.S. PATENT DOCUMENTS

6,206,583	B1 *	3/2001	Hishikawa et al.	385/96
7,438,485	B2 *	10/2008	Tabata et al.	385/97
D596,211	S *	7/2009	Sasaki	D15/144
D652,850	S *	1/2012	Song et al.	D15/144
D709,286	S *	7/2014	Takayanagi et al.	D3/263
8,950,955	B2 *	2/2015	Fukuda et al.	385/99
9,027,914	B2 *	5/2015	Sasaki	269/32

2001/0053268	A1 *	12/2001	Takahashi et al.	385/96
2010/0260458	A1 *	10/2010	Sato	385/96
2010/0272405	A1 *	10/2010	Song et al.	385/96

* cited by examiner

Primary Examiner — Patricia Palasik
(74) *Attorney, Agent, or Firm* — Venable LLP; Michael A. Sartori; Tamatane J. Aga

(57) **CLAIM**

The ornamental design for an optical fiber fusion splicer, as shown and described.

DESCRIPTION

FIG. 1 is a front view of the optical fiber fusion splicer of the present invention.

FIG. 2 is a rear view of the optical fiber fusion splicer of FIG. 1.

FIG. 3 is a top plan view of the optical fiber fusion splicer of FIG. 1.

FIG. 4 is a bottom view of the optical fiber fusion splicer of FIG. 1.

FIG. 5 is a right side view of the optical fiber fusion splicer of FIG. 1.

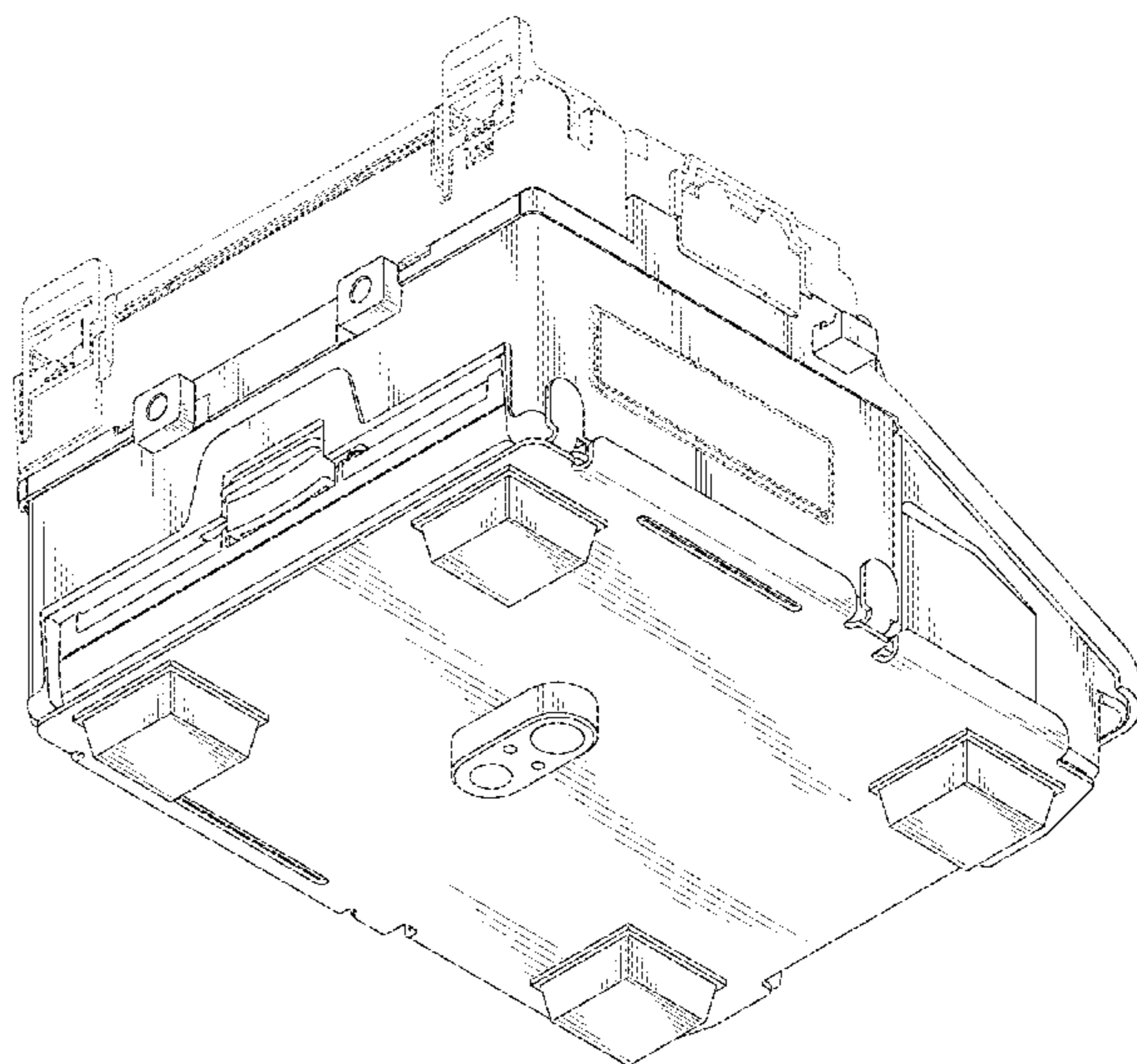
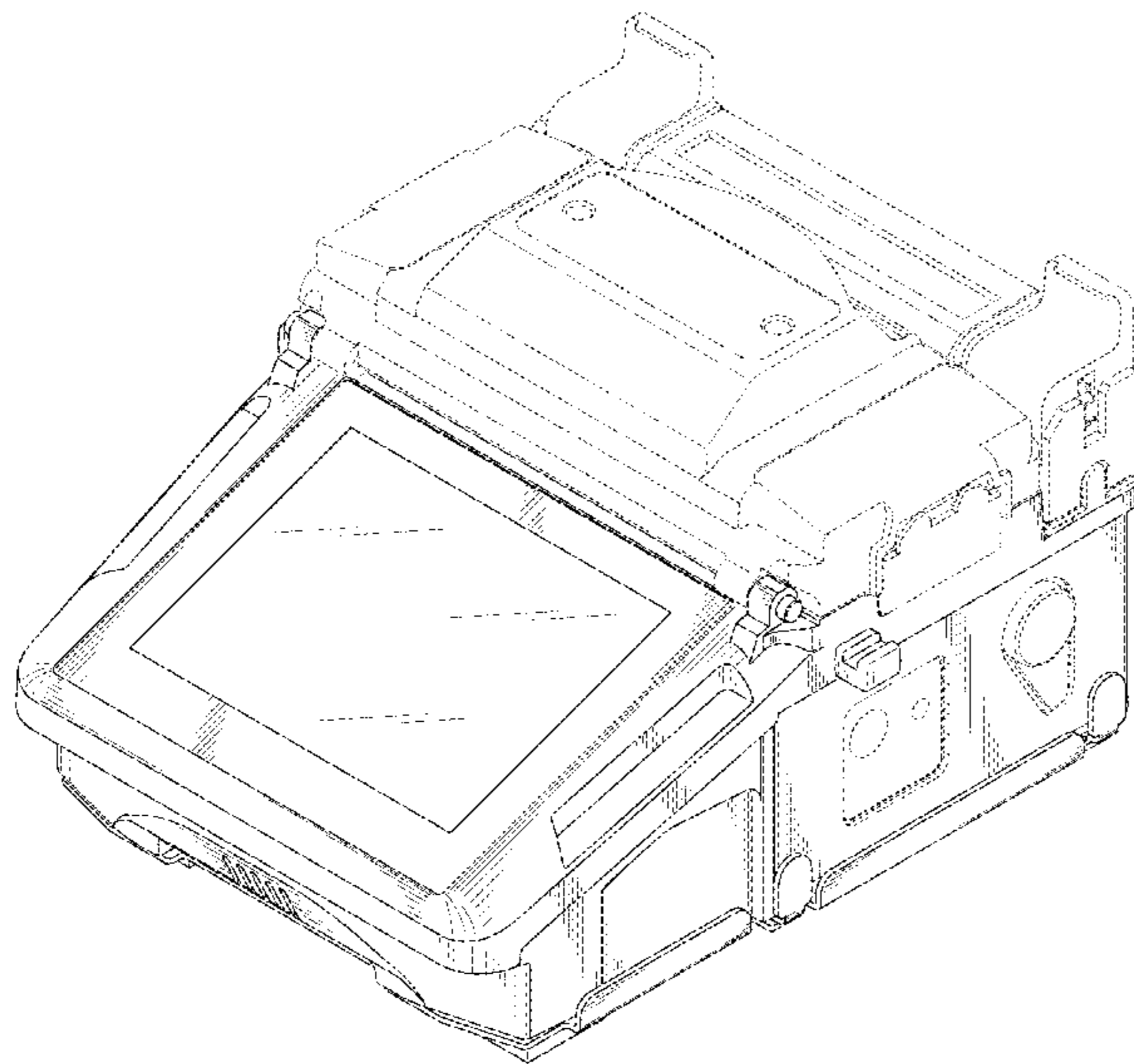
FIG. 6 is a left side view of the optical fiber fusion splicer of FIG. 1.

FIG. 7 is a front perspective of the optical fiber fusion splicer of FIG. 1; and,

FIG. 8 is a rear perspective view of the optical fiber fusion splicer of FIG. 1.

The features shown in broken lines depict environmental subject matter only and form no part of the claimed design.

1 Claim, 8 Drawing Sheets



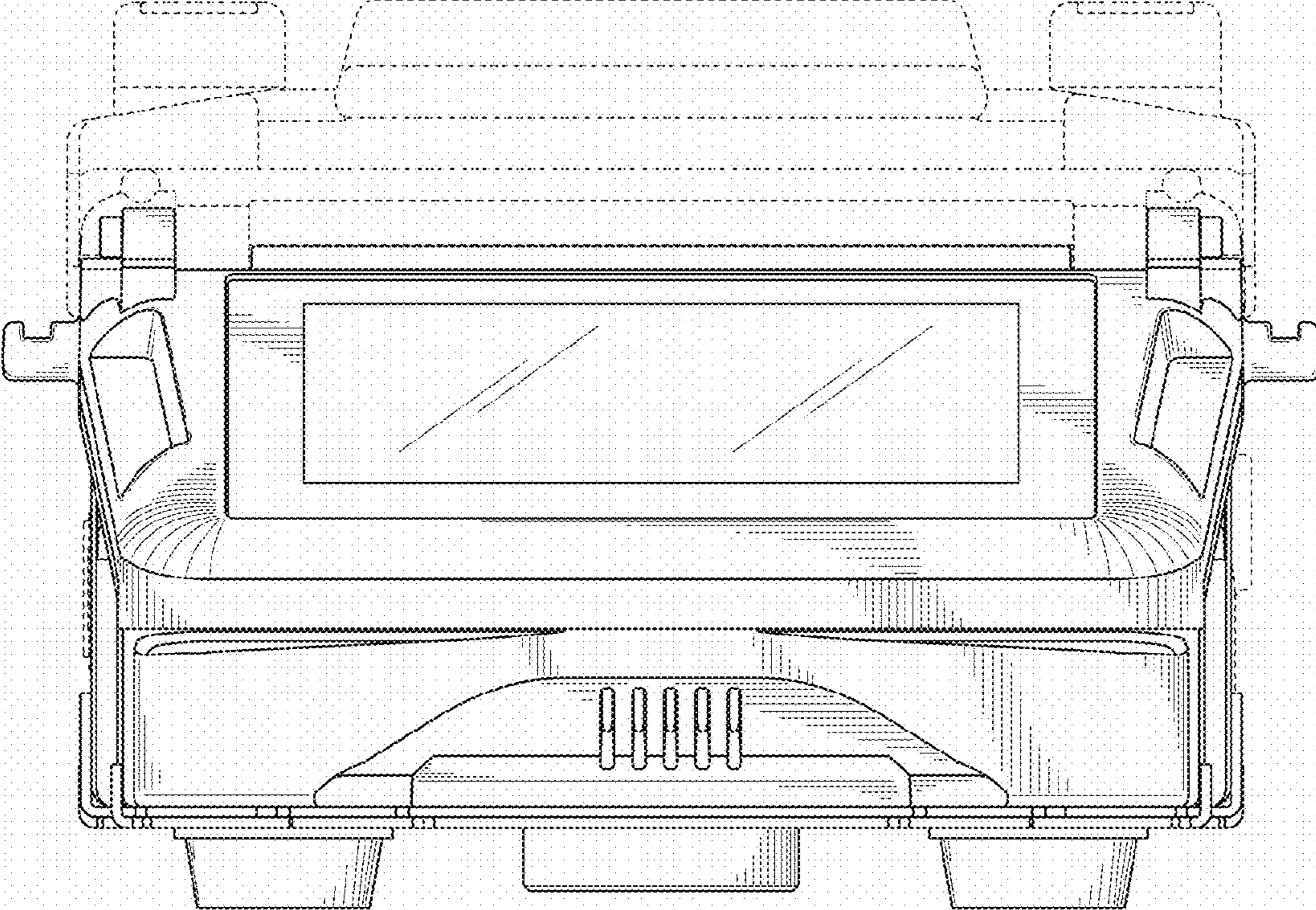


FIG. 1

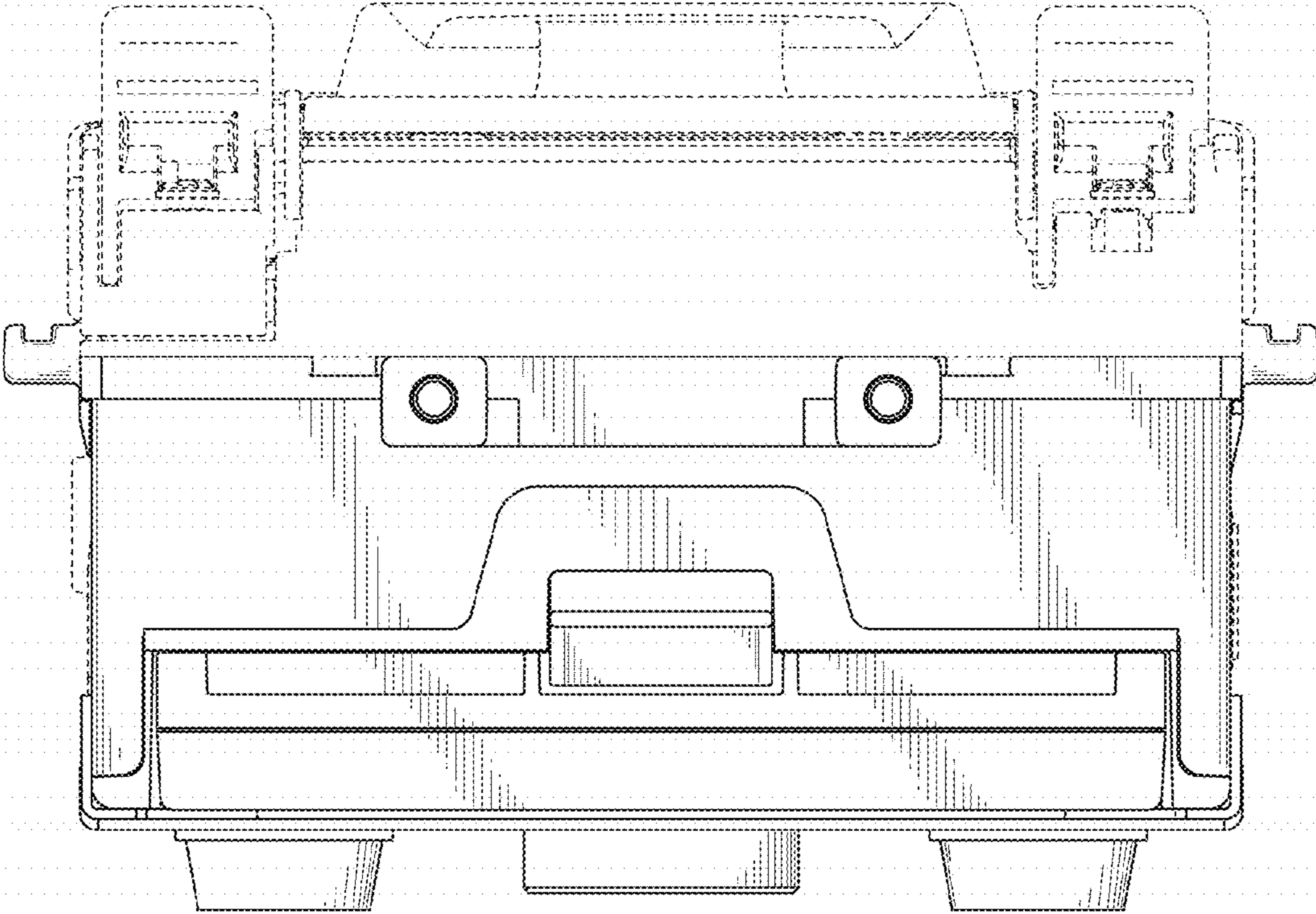


FIG. 2

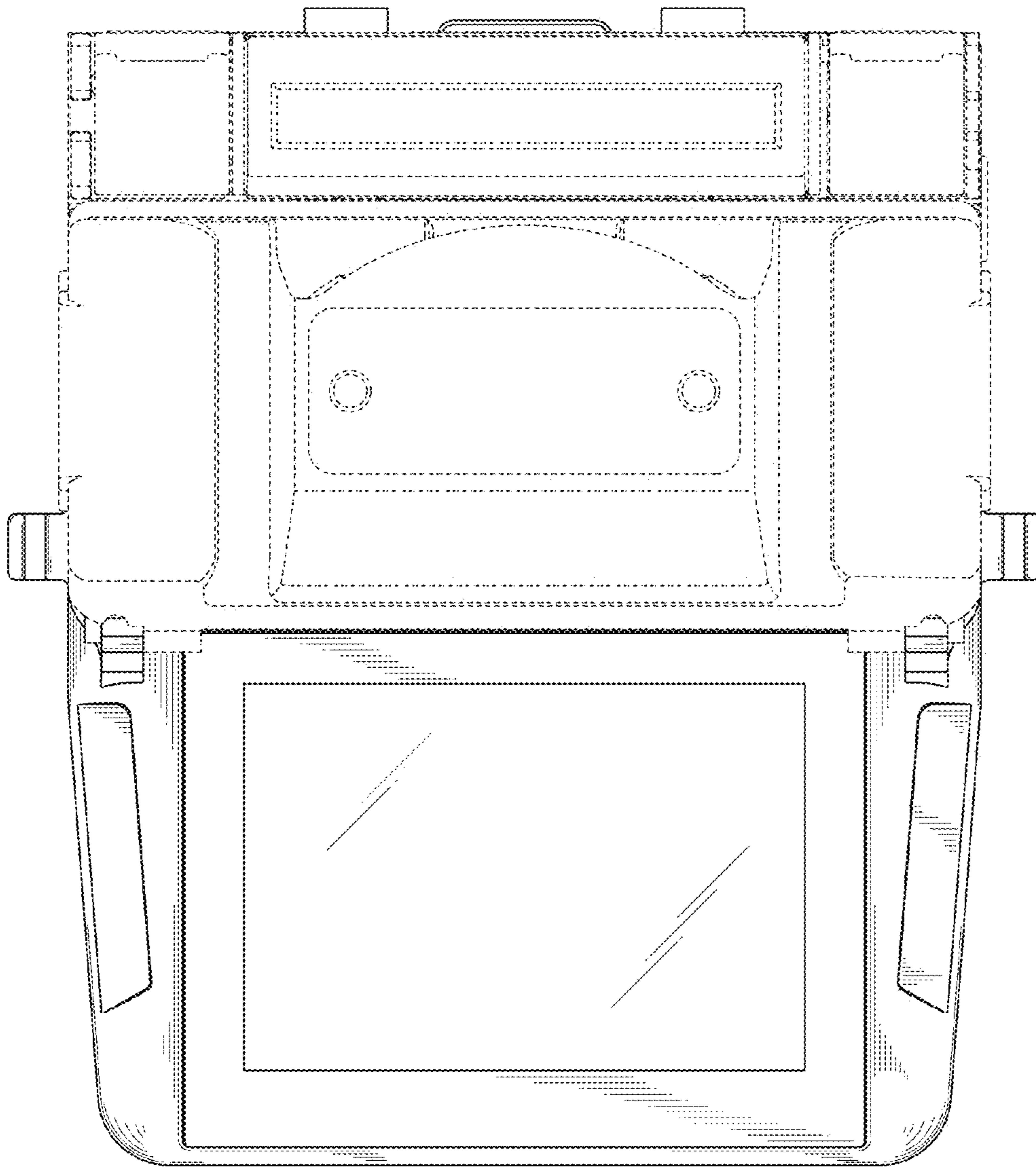


FIG. 3

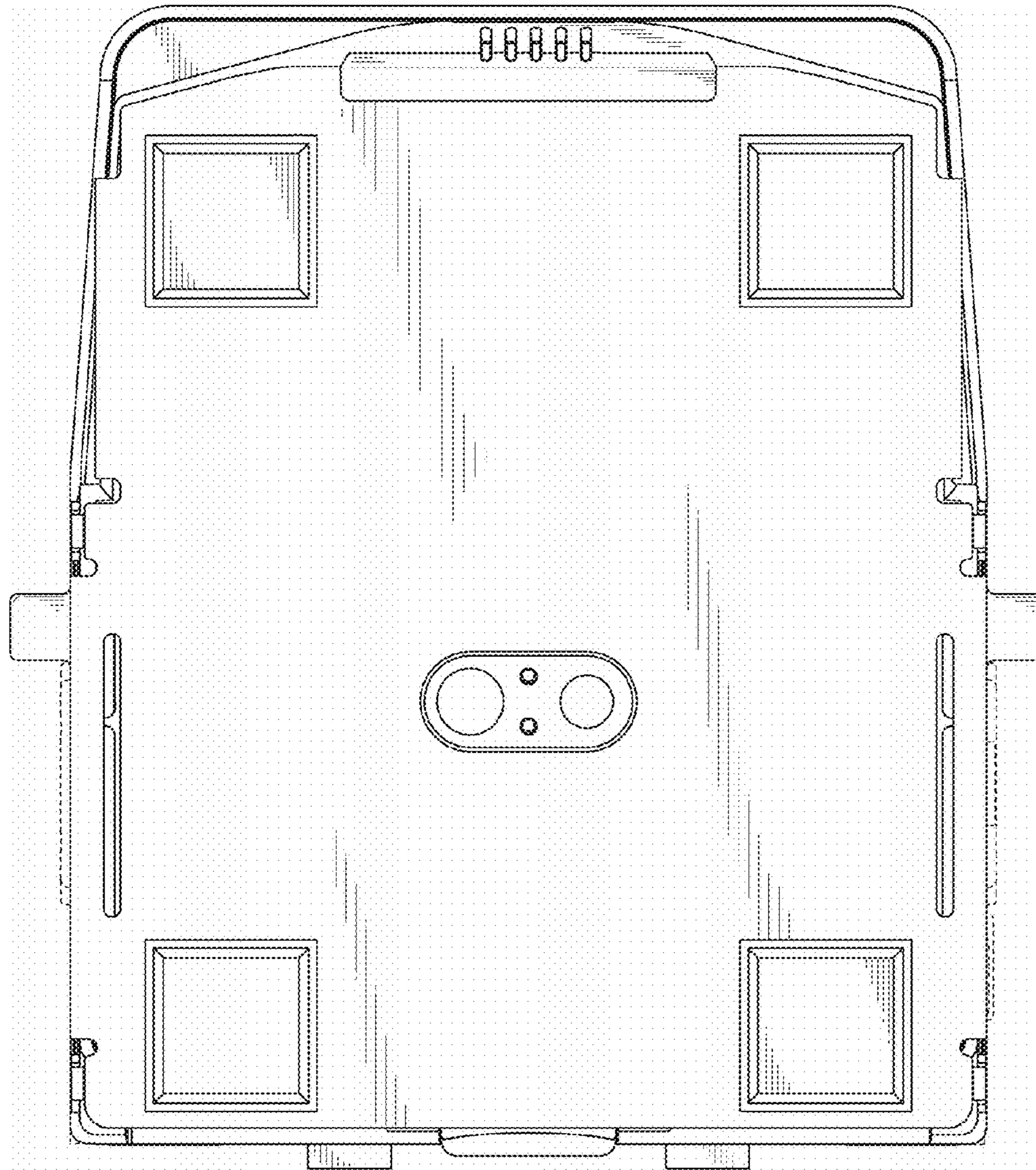


FIG. 4

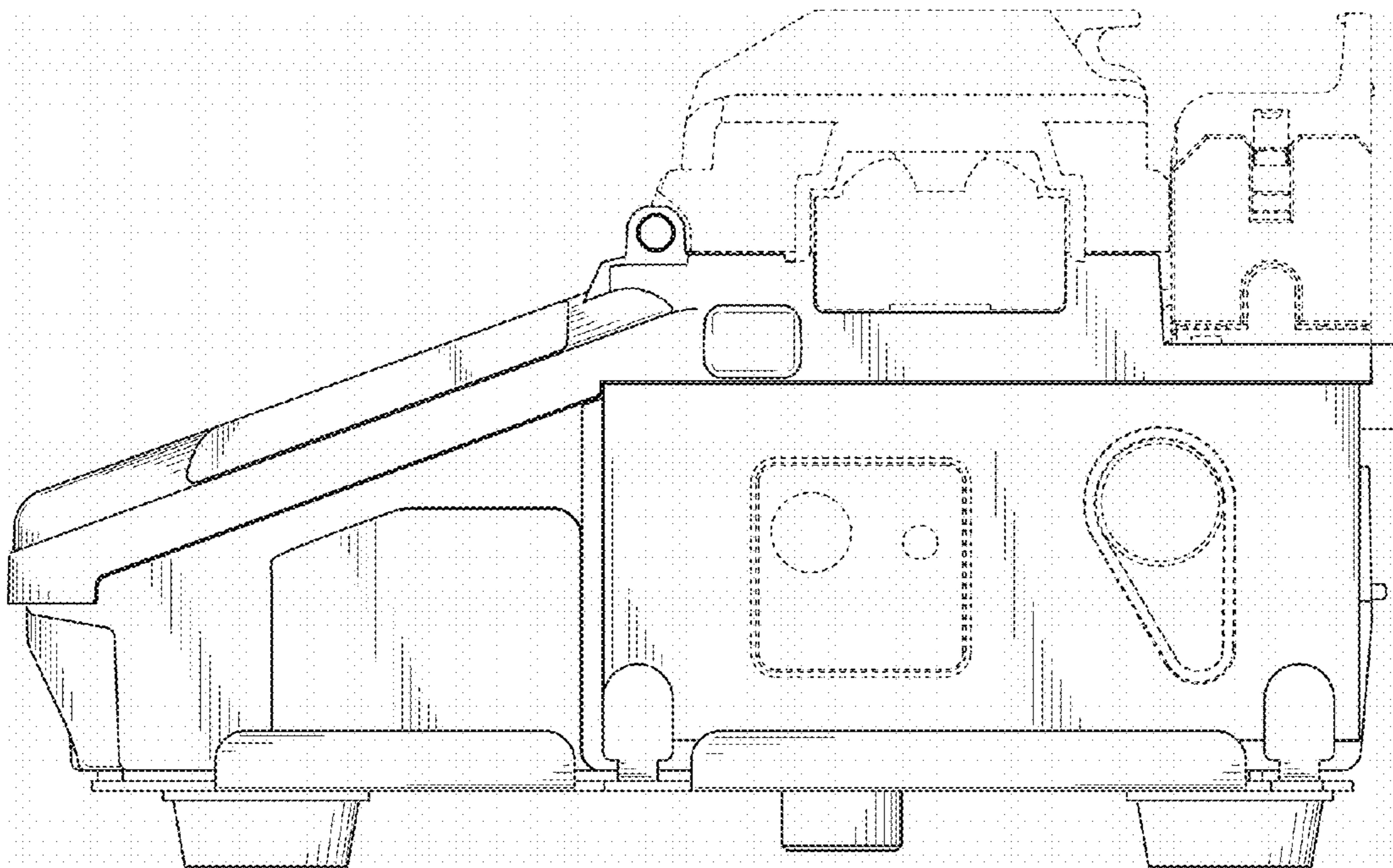


FIG. 5

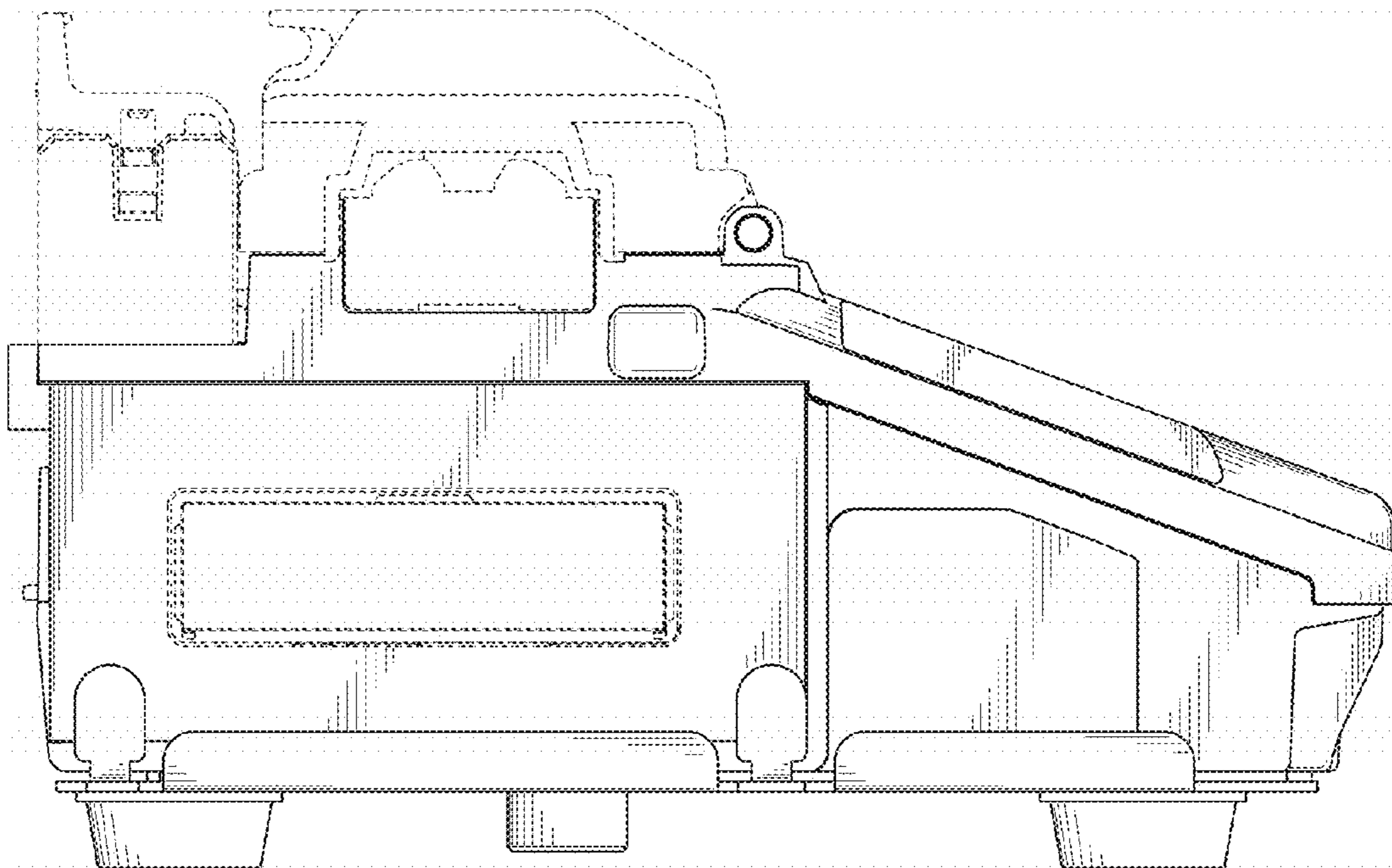


FIG. 6

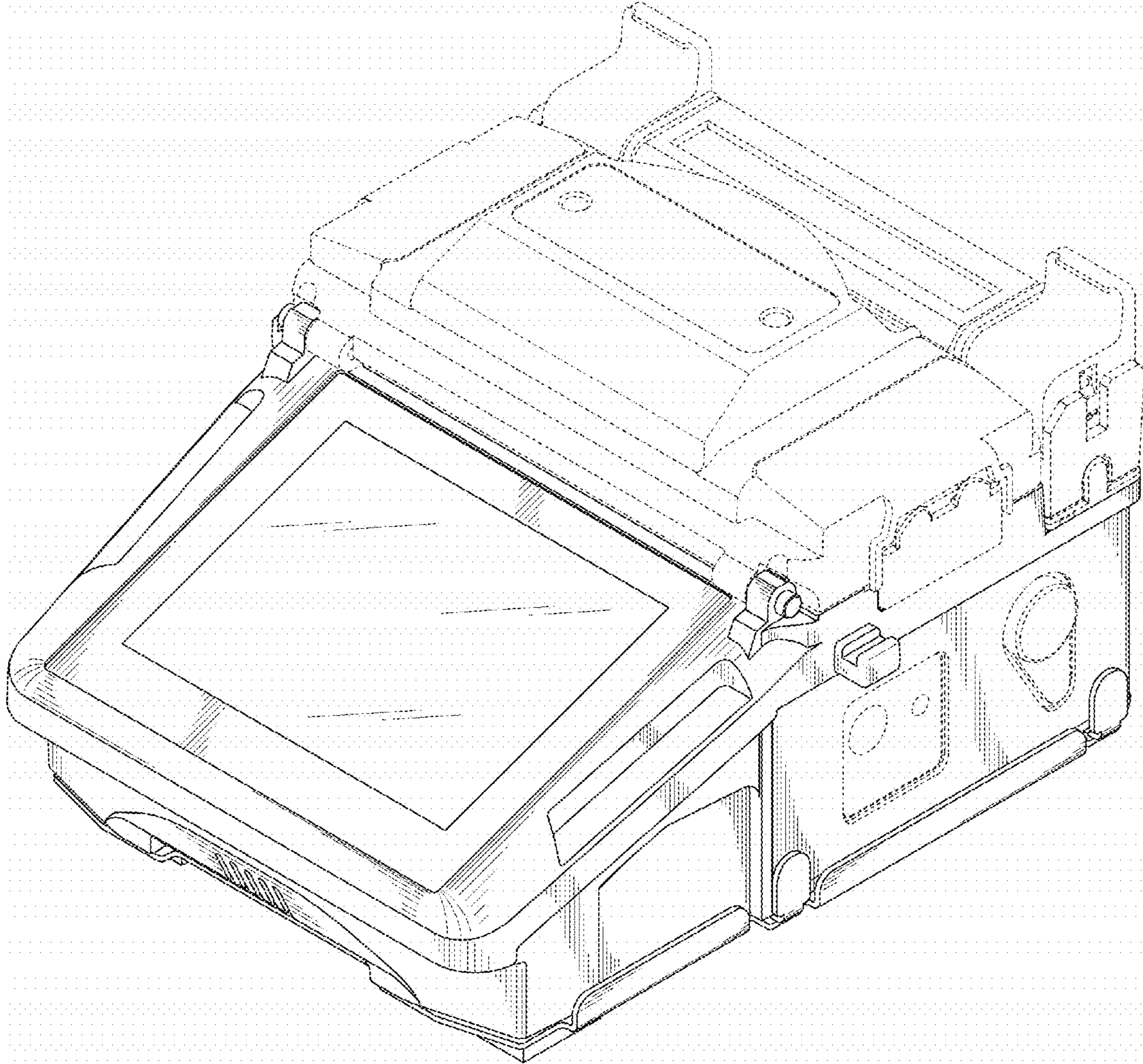


FIG. 7

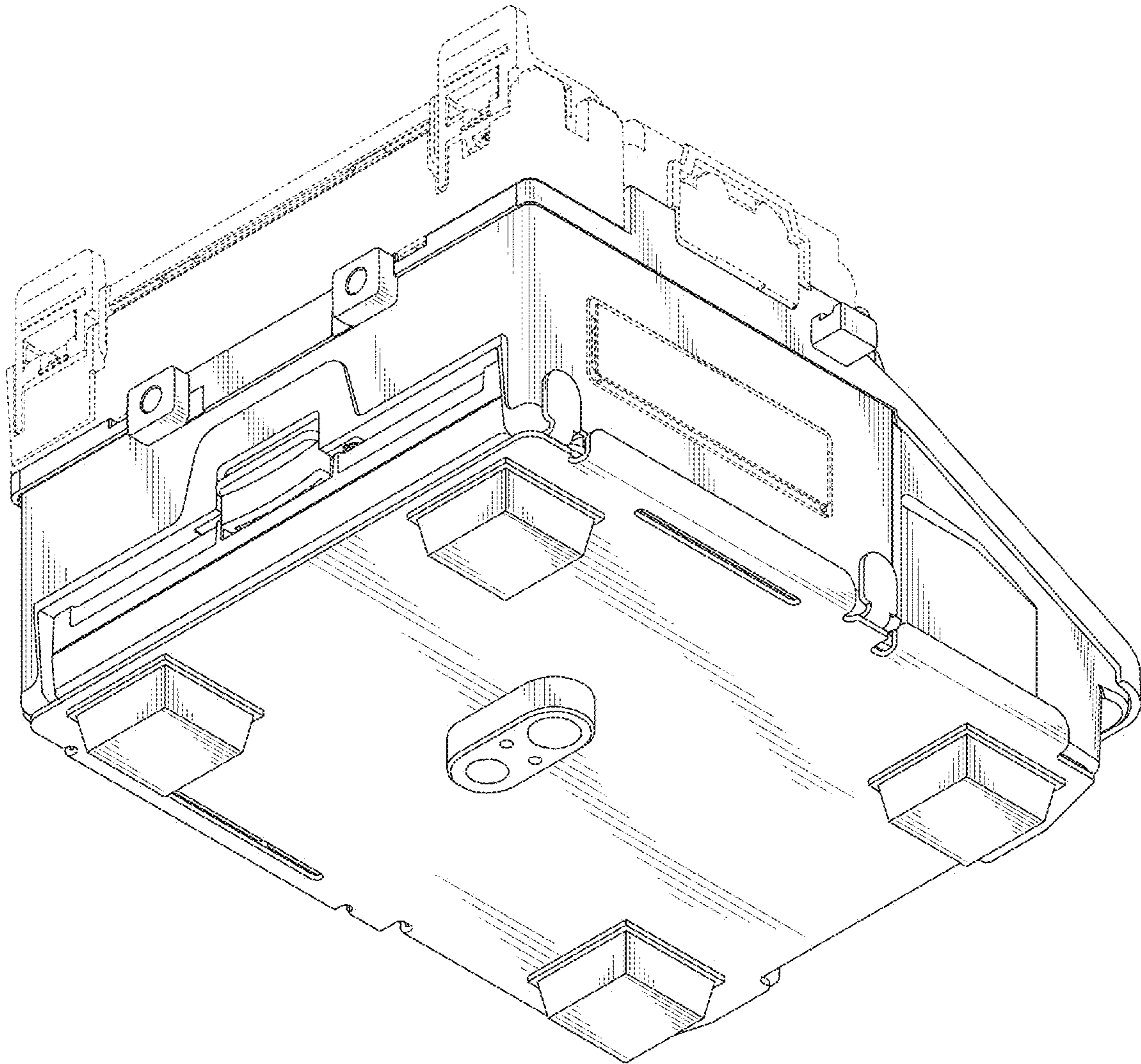


FIG. 8