



US00D746884S

(12) **United States Design Patent**
Heilmeier et al.

(10) **Patent No.:** **US D746,884 S**

(45) **Date of Patent:** **** Jan. 5, 2016**

(54) **CUTTING TOOL**

(71) Applicant: **SANDVIK INTELLECTUAL PROPERTY AB**, Sandviken (SE)

(72) Inventors: **Michael Heilmeier**, Dobriach (AT);
Hannes Voitc, Weibkirchen (AT);
Joseph Fader, Marietta, GA (US)

(73) Assignee: **SANDVIK INTELLECTUAL PROPERTY AB**, Sandviken (SE)

(**) Term: **14 Years**

(21) Appl. No.: **29/508,550**

(22) Filed: **Nov. 7, 2014**

(30) **Foreign Application Priority Data**

May 8, 2014	(EM)	001410823-0004
May 8, 2014	(EM)	001410823-0005
May 8, 2014	(EM)	001410823-0006
May 8, 2014	(EM)	001410823-0007

(51) **LOC (10) Cl.** **15-09**

(52) **U.S. Cl.**
USPC **D15/139**

(58) **Field of Classification Search**
USPC D15/128, 131, 139, 140
See application file for complete search history.

(56) **References Cited**

U.S. PATENT DOCUMENTS

1,318,958	A *	10/1919	Bernay	E21B 10/62 175/383
1,591,967	A *	7/1926	Emerson	B24B 33/08 451/474
4,076,445	A *	2/1978	Kress	B23D 77/02 408/226
4,433,739	A *	2/1984	Sarin	E21B 10/58 175/418

(Continued)

Primary Examiner — Patricia Palasik

(74) *Attorney, Agent, or Firm* — Corinne R. Gorski

(57) **CLAIM**

The ornamental design for a cutting tool, as shown and described.

DESCRIPTION

FIG. 1 is a perspective view of a first embodiment of a cutting tool

FIG. 2 is a side view thereof;

FIG. 3 is another side view thereof;

FIG. 4 is yet another side view thereof;

FIG. 5 is a cross-section thereof taken along line 5-5 of FIG. 4

FIG. 6 is a front end view; and

FIG. 7 is a rear end view thereof.

FIG. 8 is a perspective view of a second embodiment of a cutting tool;

FIG. 9 is a side view thereof;

FIG. 10 is another side view thereof;

FIG. 11 is yet another side view thereof;

FIG. 12 is a cross-section thereof taken along line 12-12 of FIG. 11;

FIG. 13 is a front end view; and

FIG. 14 is a rear end view thereof.

FIG. 15 is a perspective view of a third embodiment of a cutting tool;

FIG. 16 is a side view thereof;

FIG. 17 is another side view thereof;

FIG. 18 is yet another side view thereof;

FIG. 19 is a cross-section thereof taken along line 19-19 of FIG. 18;

FIG. 20 is a front end view; and

FIG. 21 is a rear end view thereof.

FIG. 22 is a perspective view of a fourth embodiment of a cutting tool;

FIG. 23 is a side view thereof;

FIG. 24 is another side view thereof;

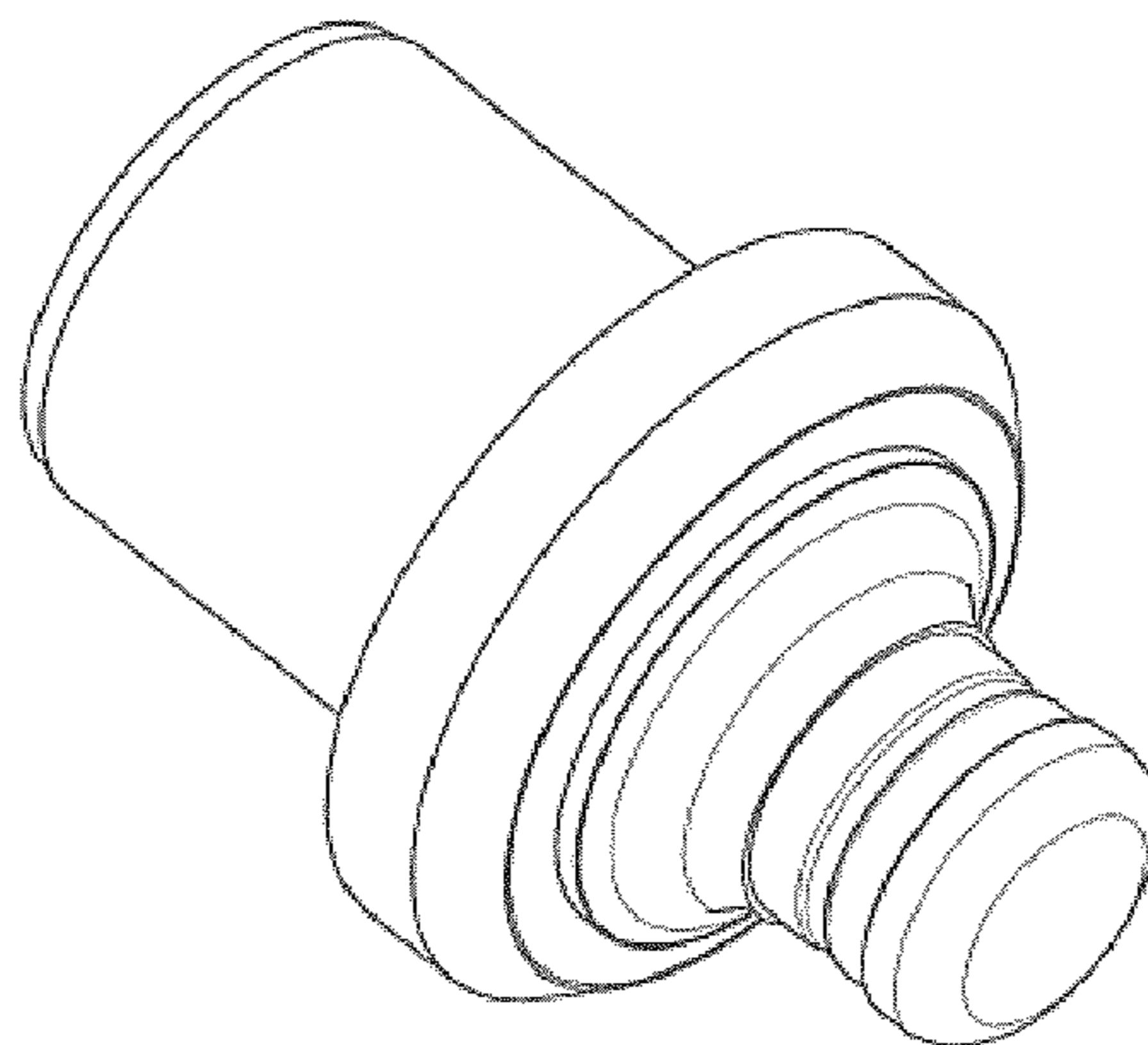
FIG. 25 is yet another side view thereof;

FIG. 26 is a cross-section thereof taken along line 26-26 of FIG. 25;

FIG. 27 is a front end view; and,

FIG. 28 is a rear end view thereof.

1 Claim, 16 Drawing Sheets



(56)

References Cited

U.S. PATENT DOCUMENTS

D278,245 S * 4/1985 Smith D15/140
5,188,490 A * 2/1993 Muendlein B23B 29/03417
407/44
5,259,100 A * 11/1993 Takahashi B21D 28/12
29/33 J
5,429,187 A * 7/1995 Beagrie E21B 7/061
166/117.5
D597,571 S * 8/2009 Darr D15/139
D630,234 S * 1/2011 Monyak D15/139
D674,422 S * 1/2013 Hall D15/131

D690,332 S * 9/2013 Morehead D15/128
D690,333 S * 9/2013 Morehead D15/128
D700,922 S * 3/2014 Burca D15/139
8,702,352 B2 * 4/2014 Sjoos B23C 5/003
407/40
D715,342 S * 10/2014 Fundakowski D15/140
D719,590 S * 12/2014 Johnston D15/128
9,022,393 B2 * 5/2015 Guy B23B 31/02
279/20
9,073,183 B2 * 7/2015 Chen B25B 11/02
2010/0040425 A1 * 2/2010 Nomura B23B 51/0493
408/83

* cited by examiner

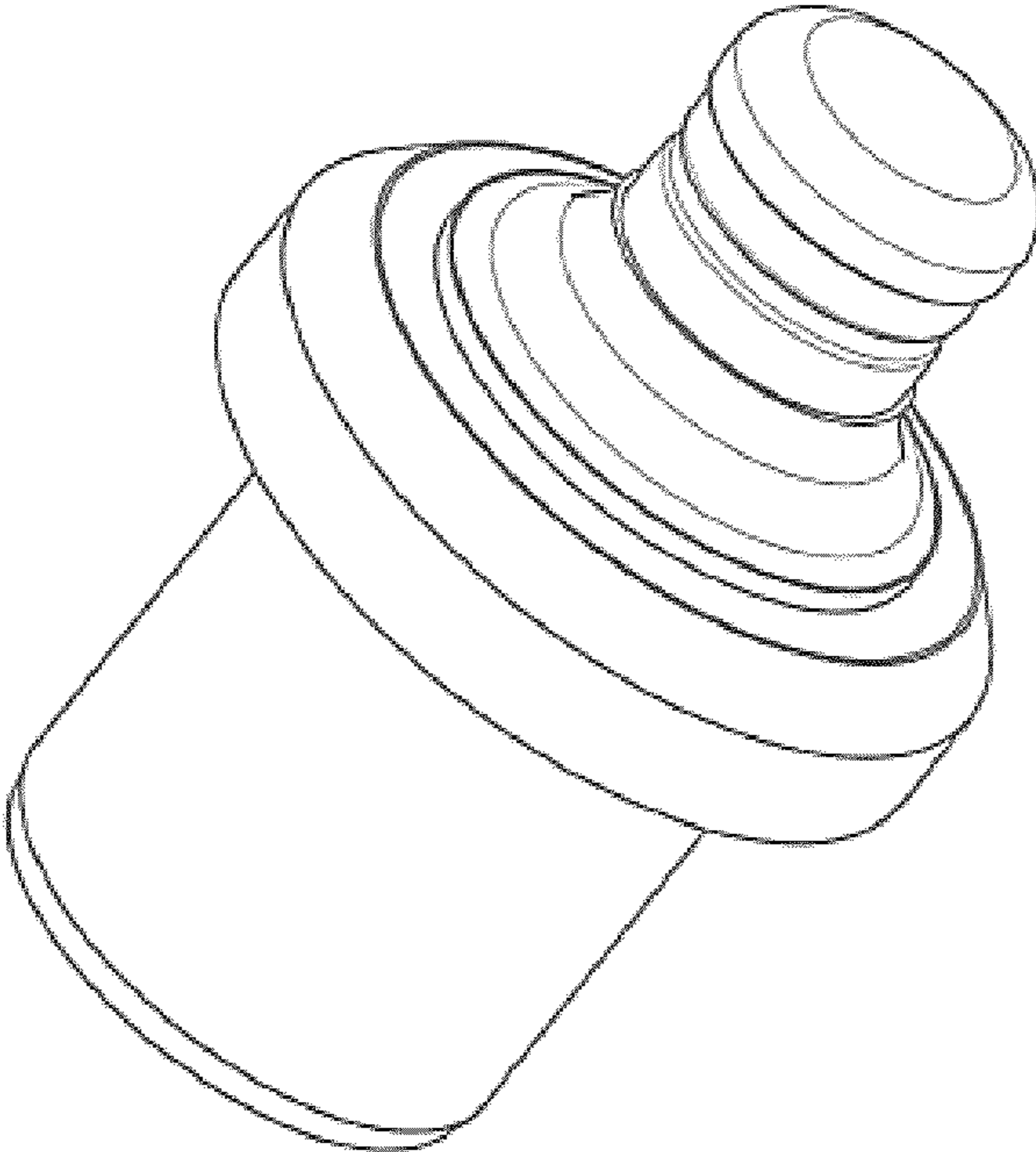


FIG. 1

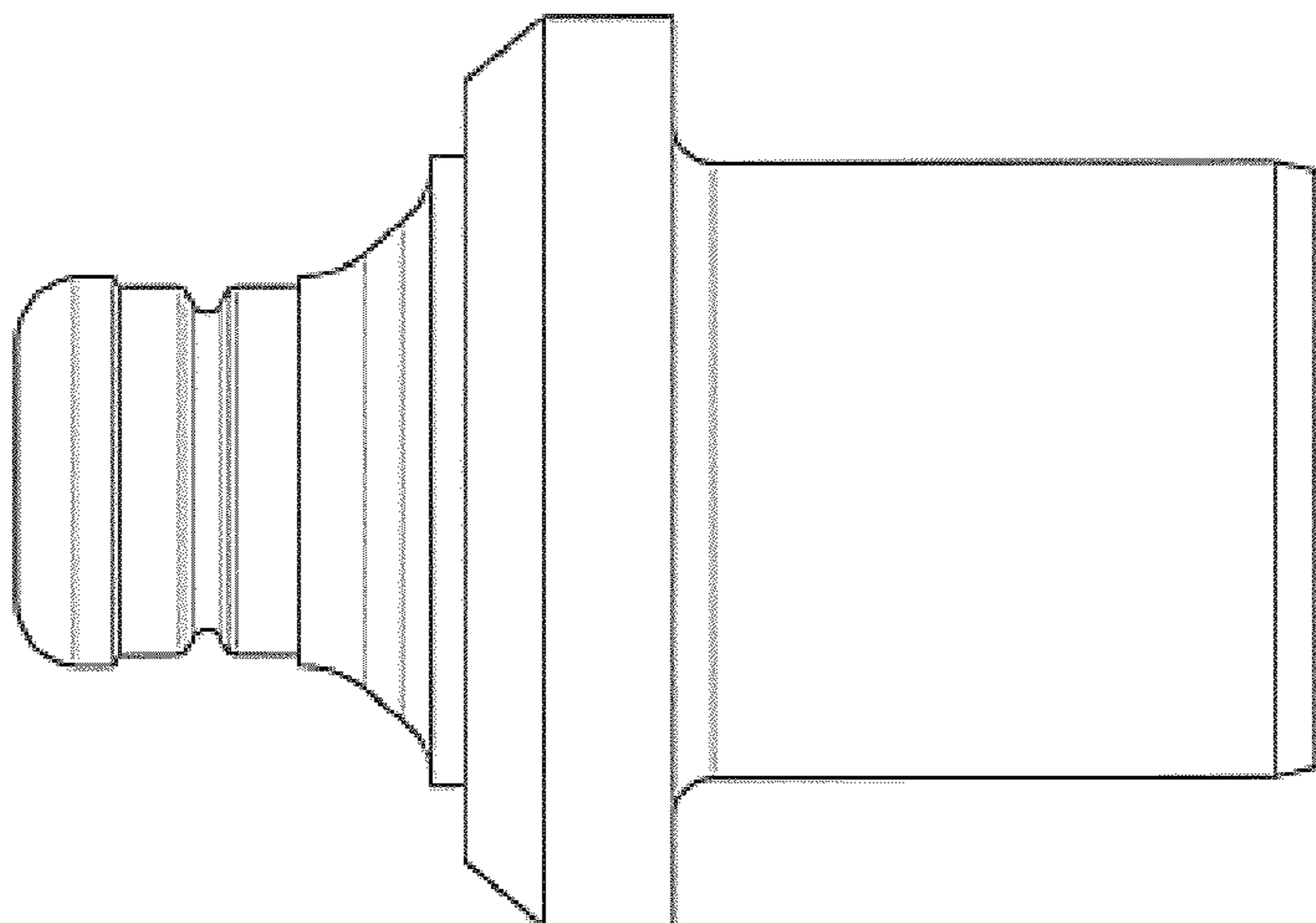


FIG. 2

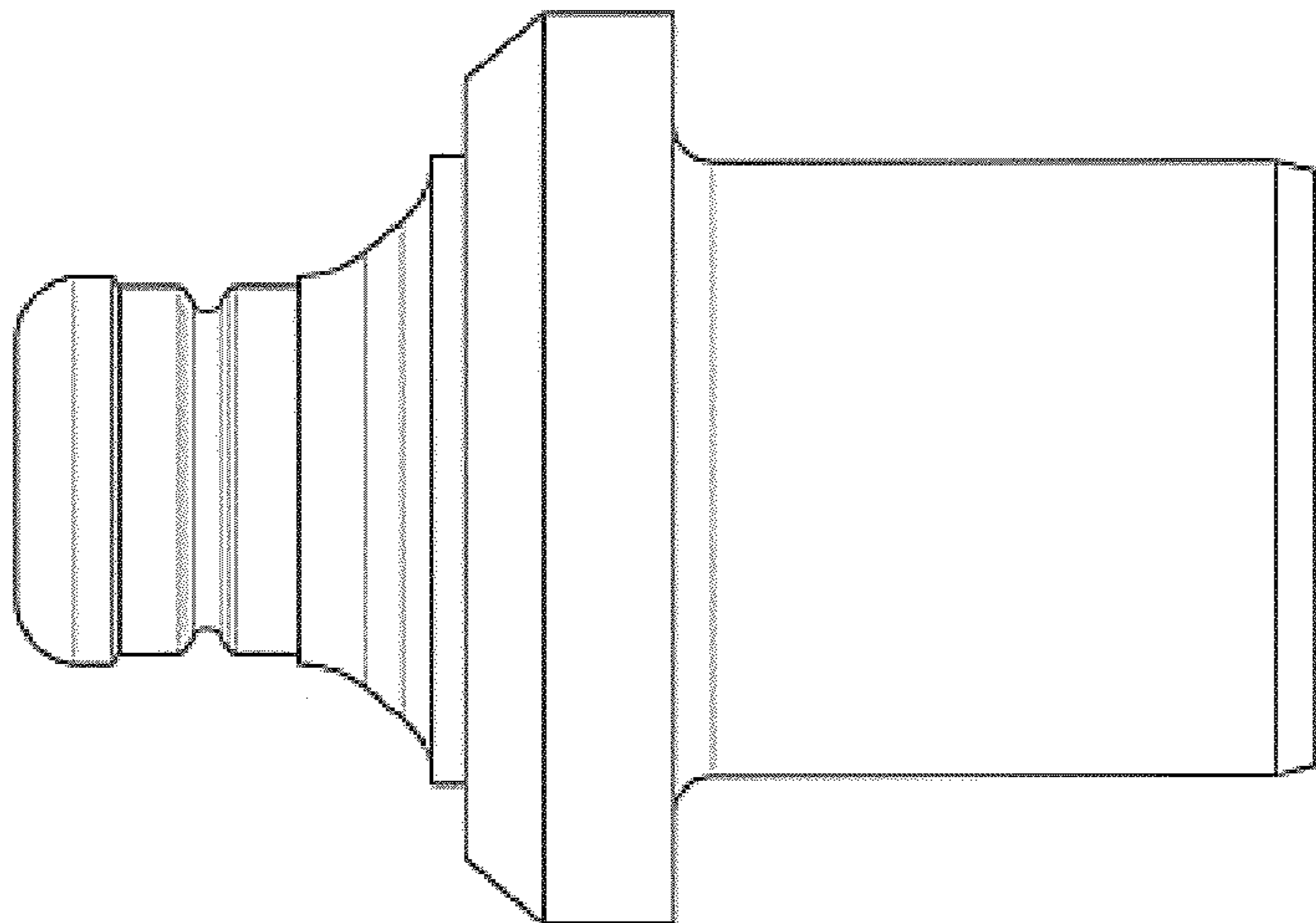


FIG. 3

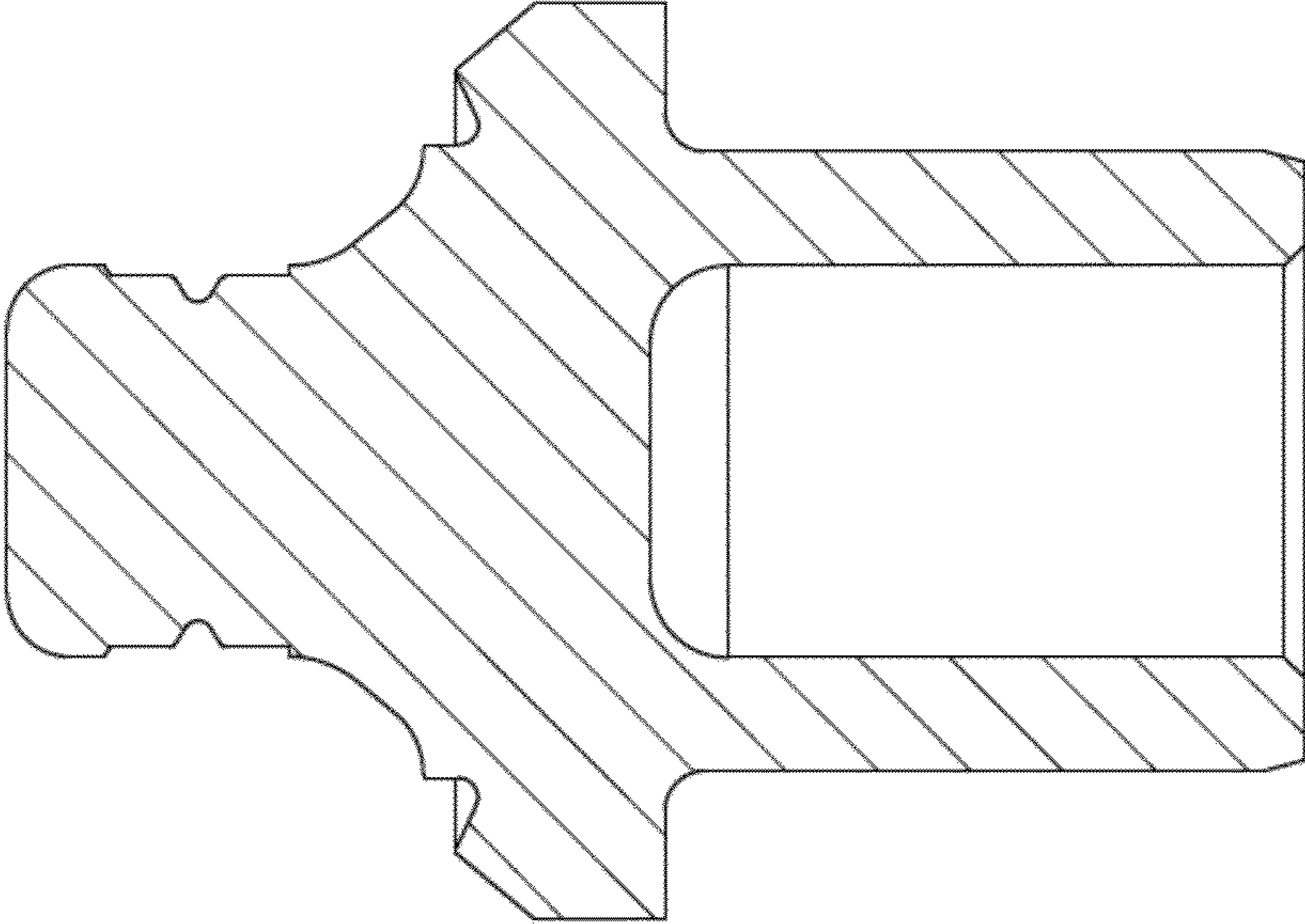


FIG. 5

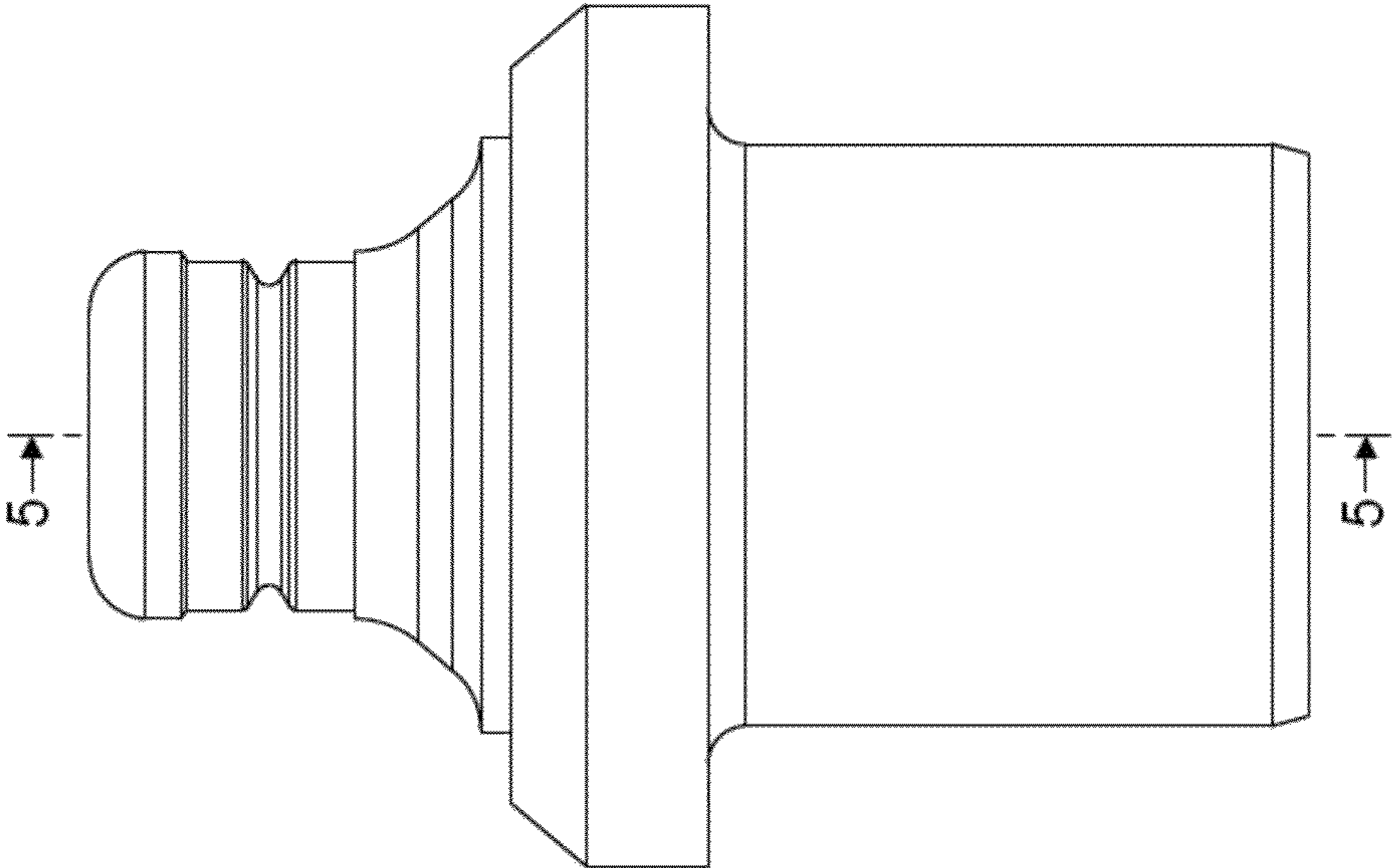


FIG. 4

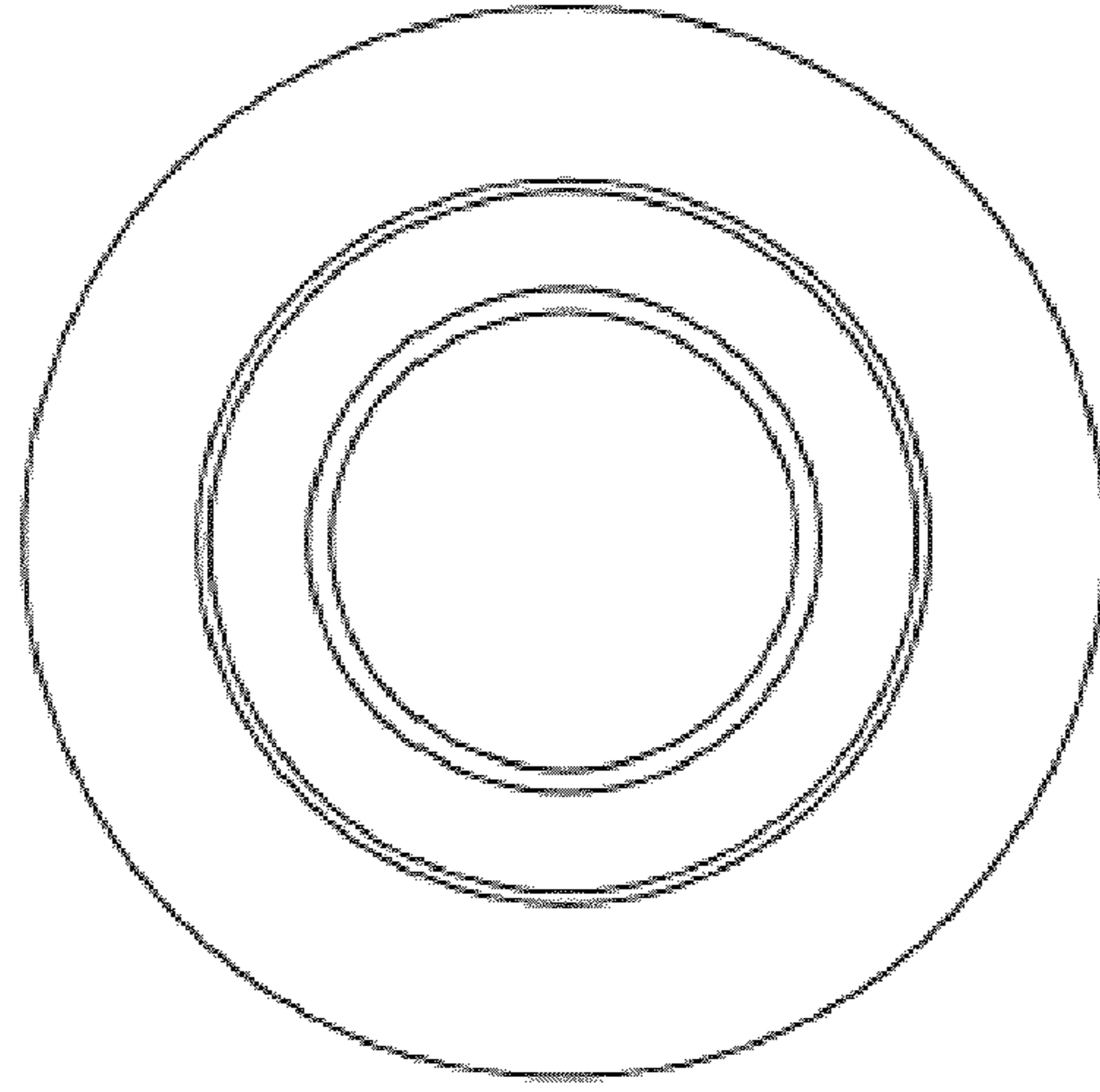


FIG. 7

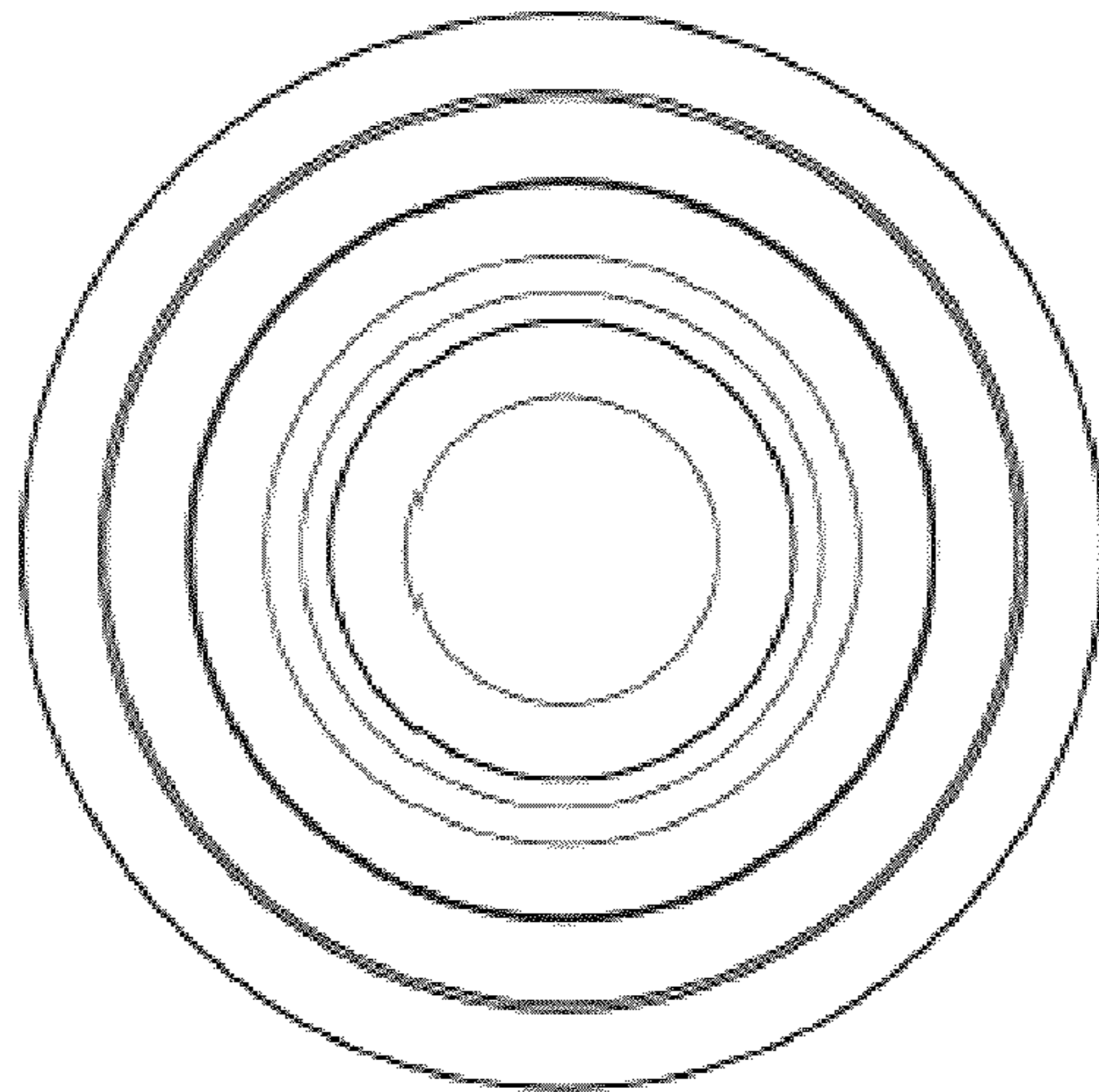


FIG. 6

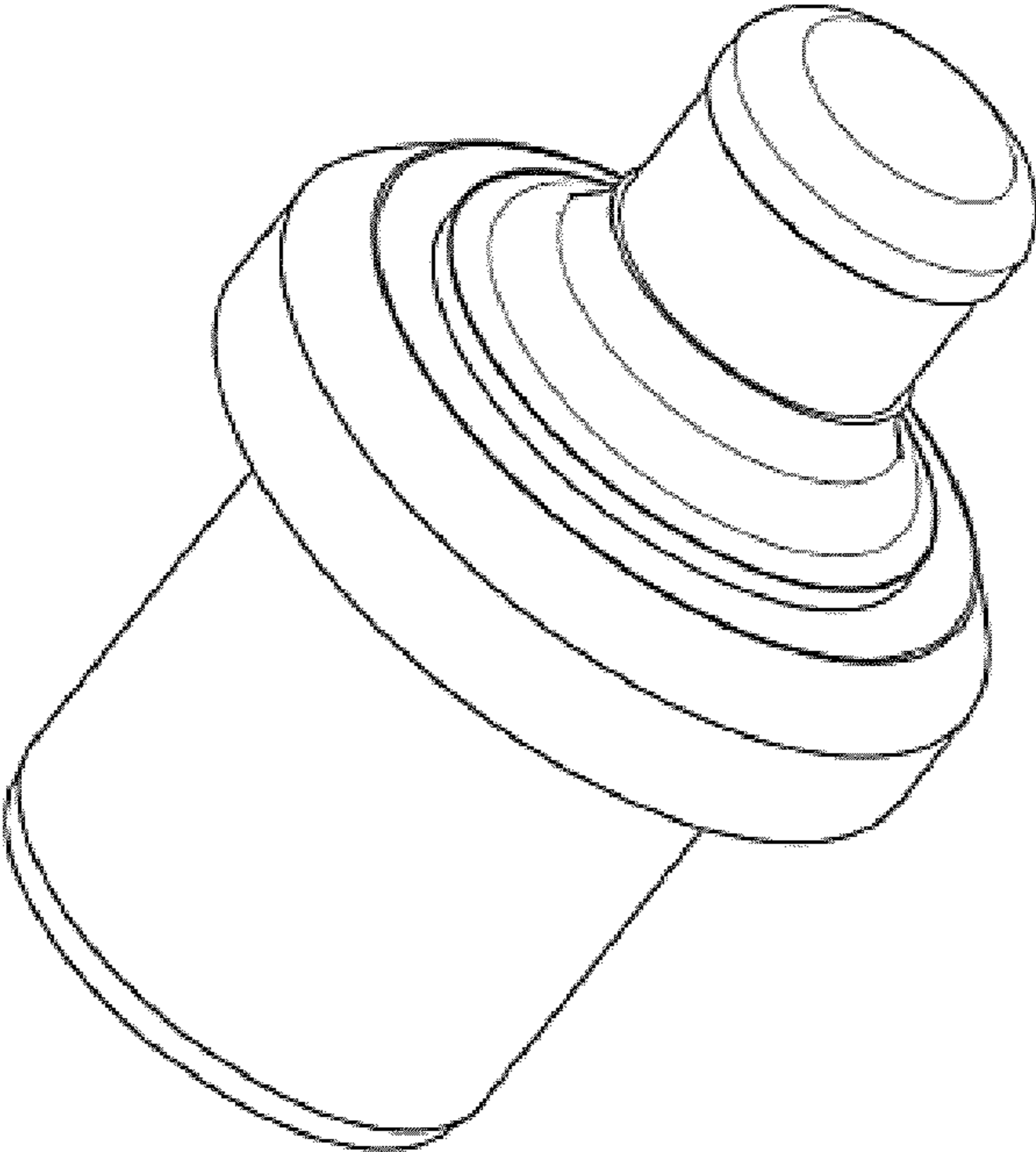


FIG. 8

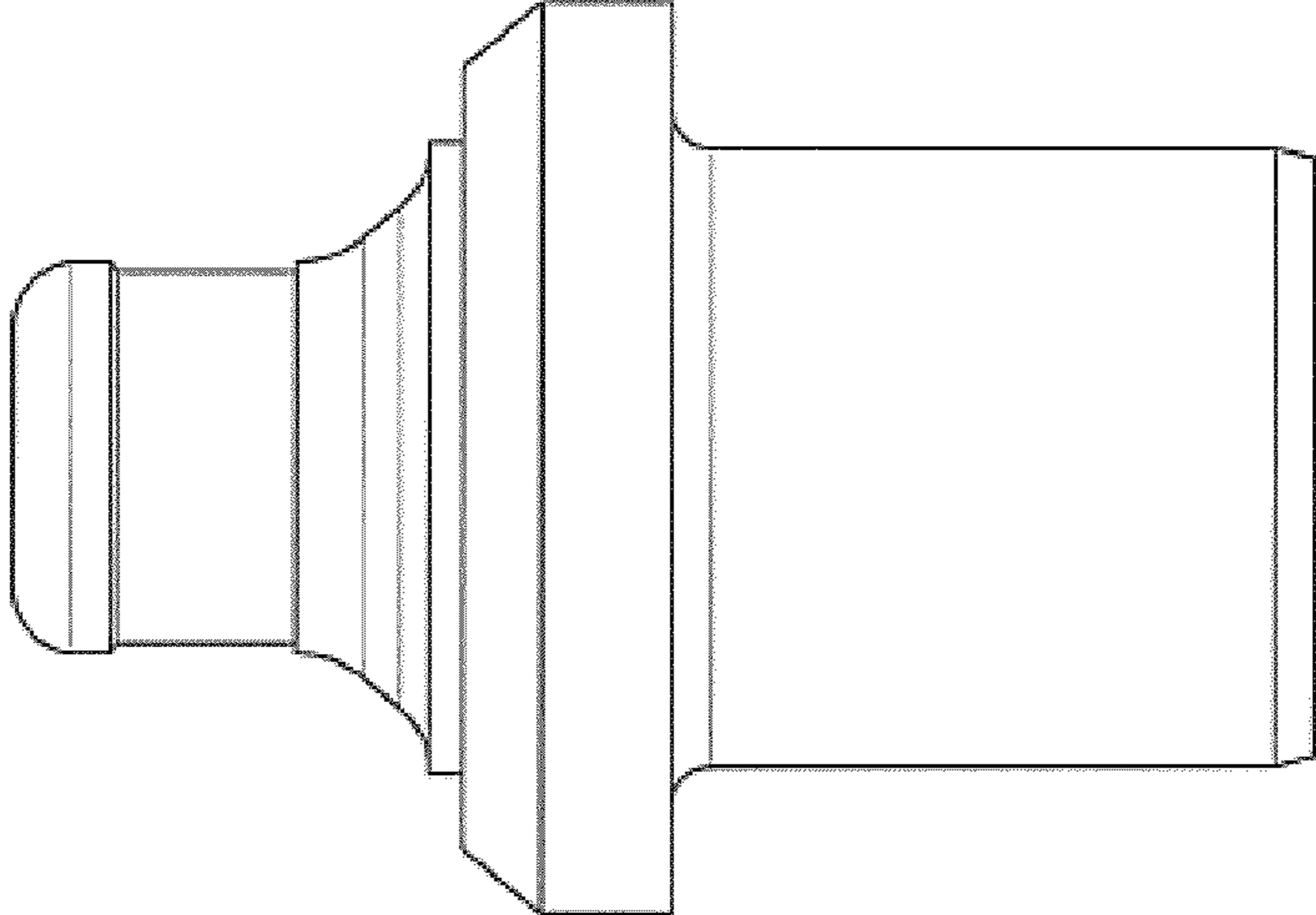


FIG. 9

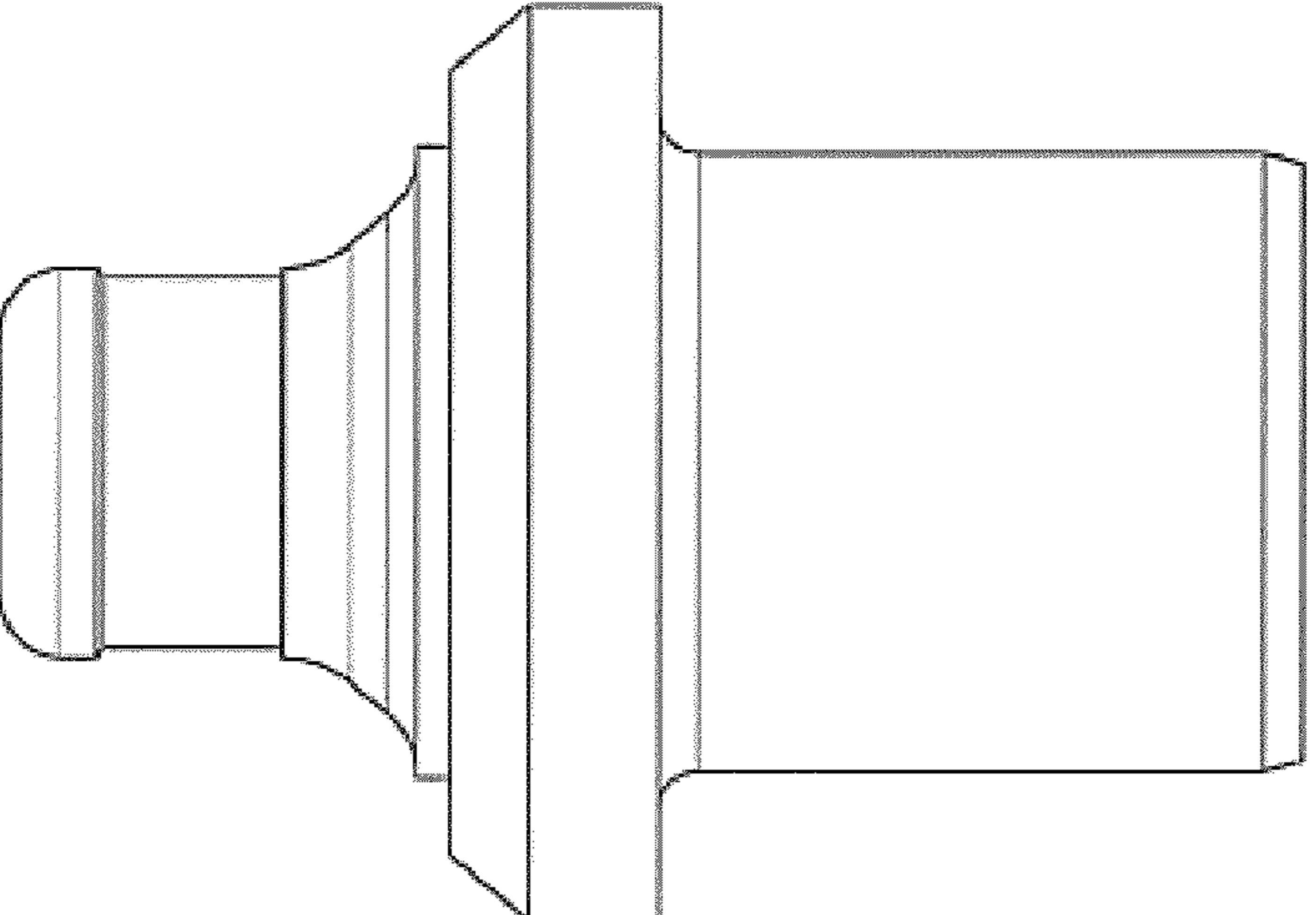


FIG. 10

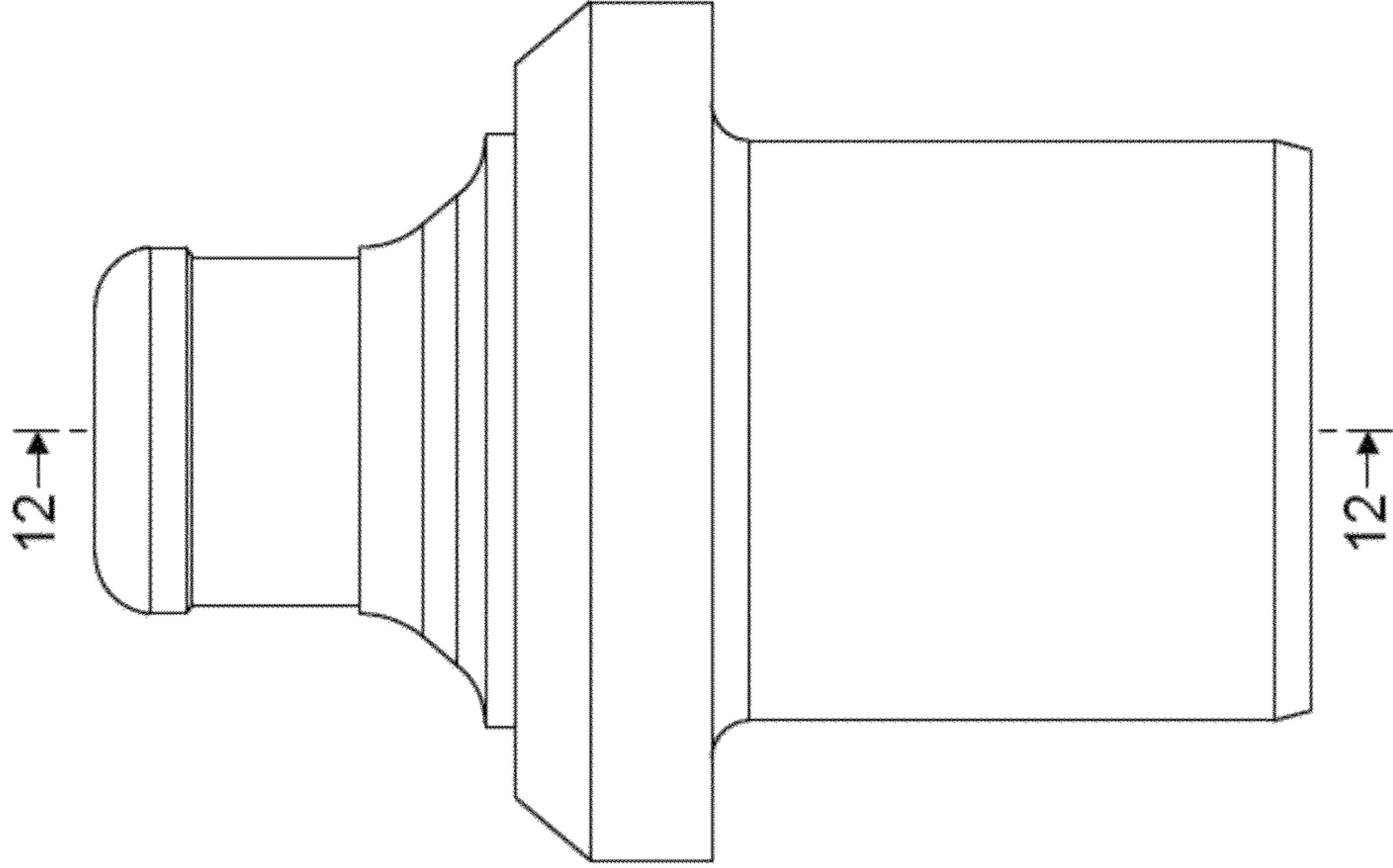


FIG. 11

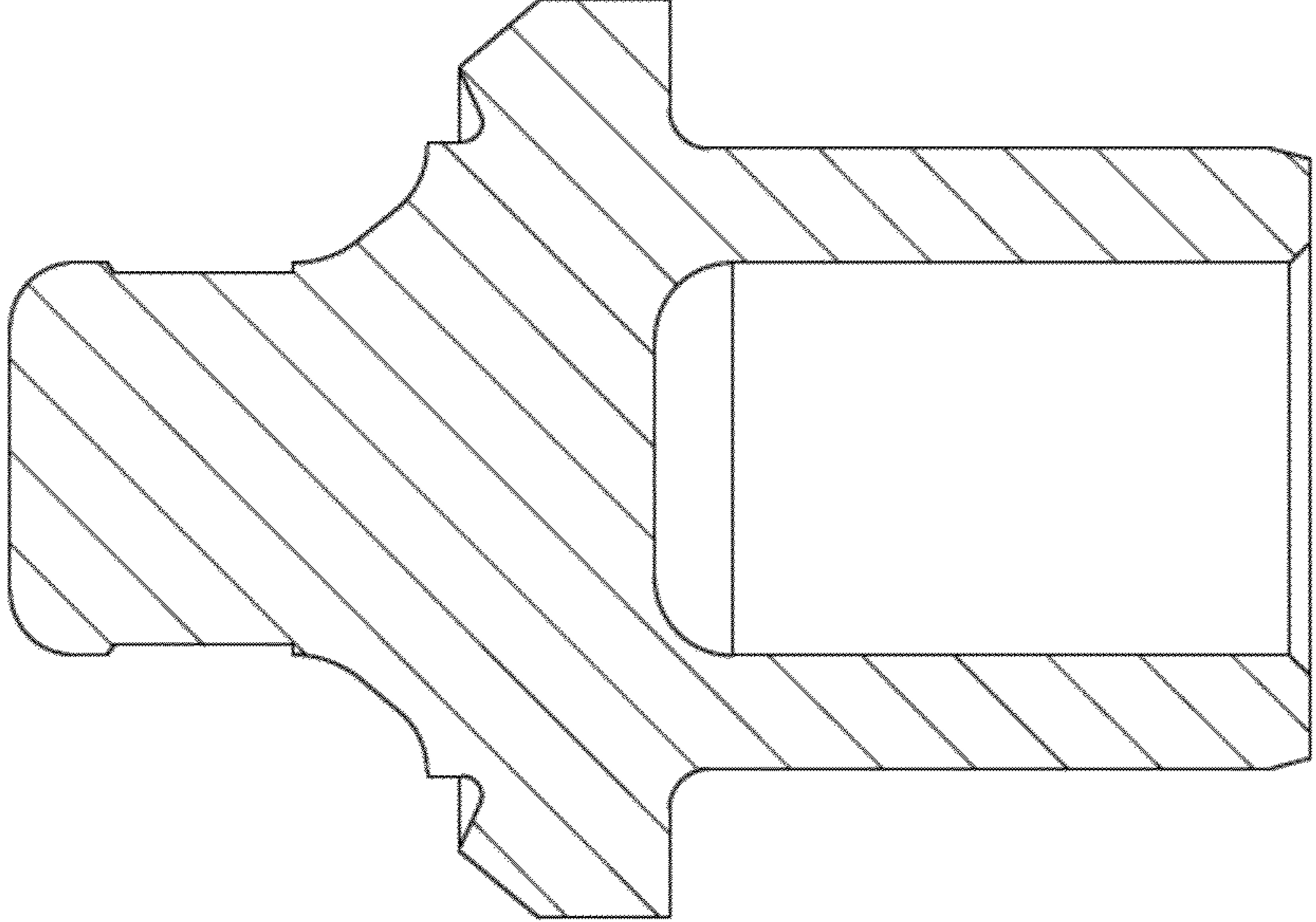


FIG. 12

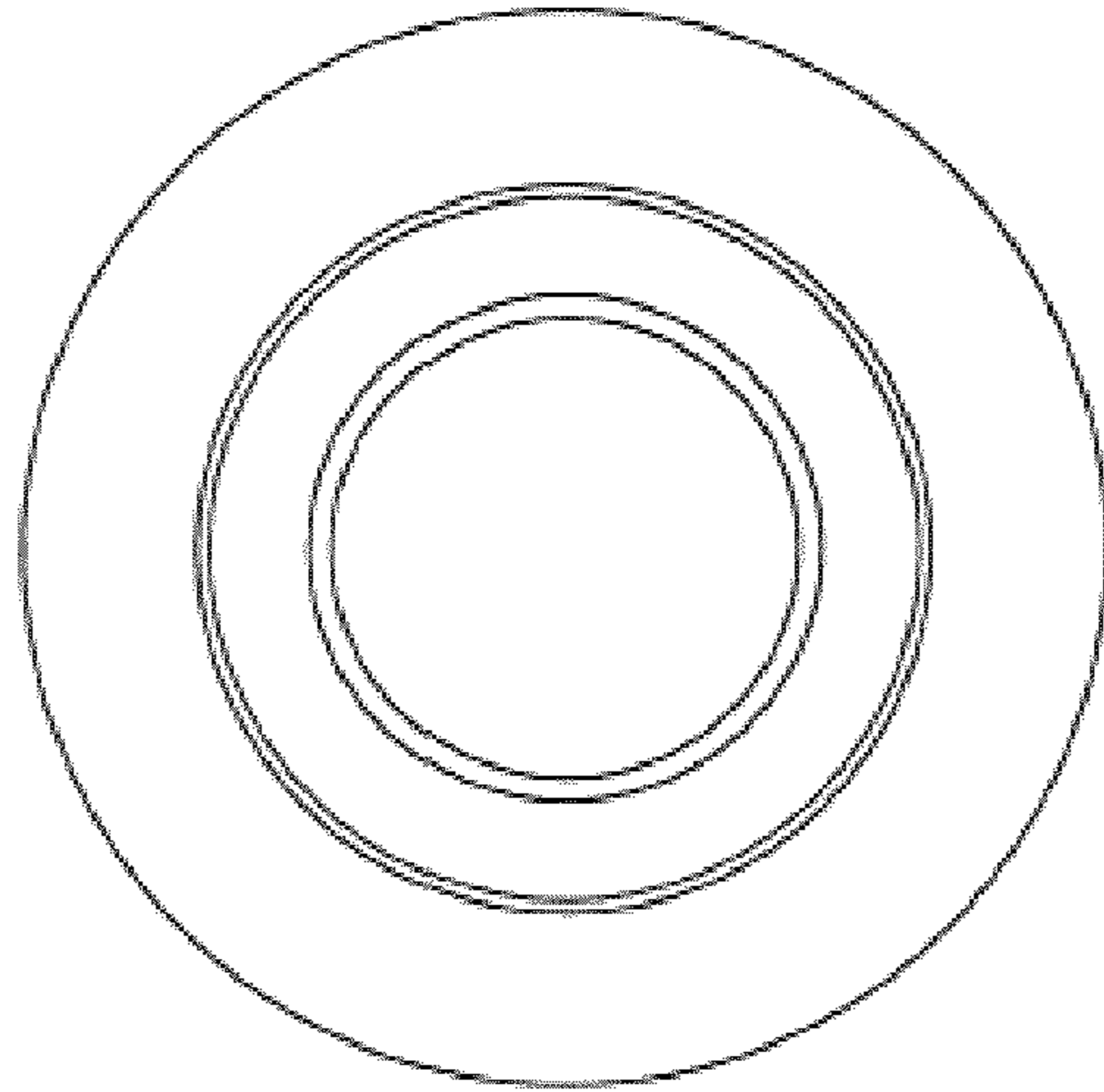


FIG. 14

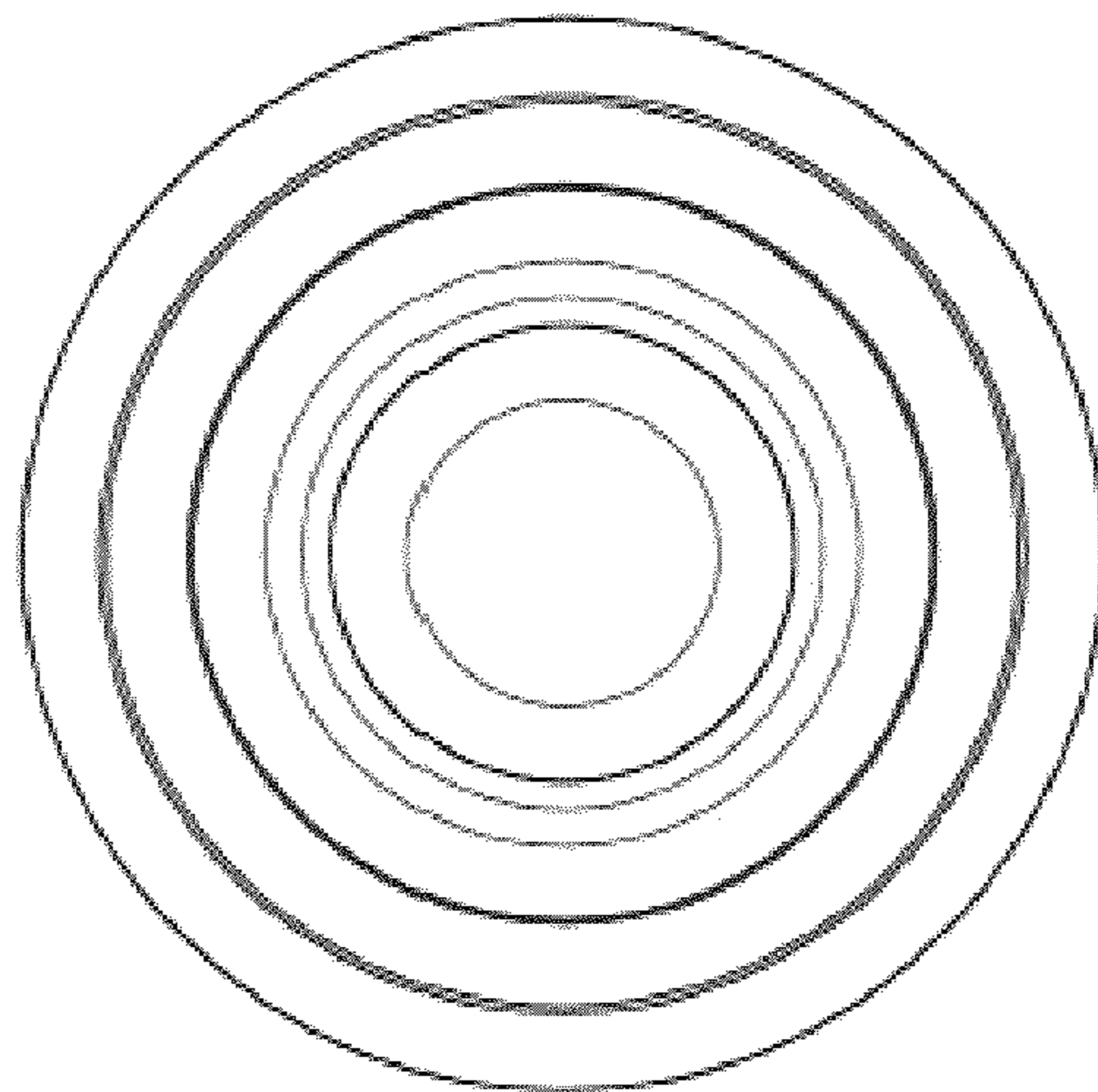


FIG. 13

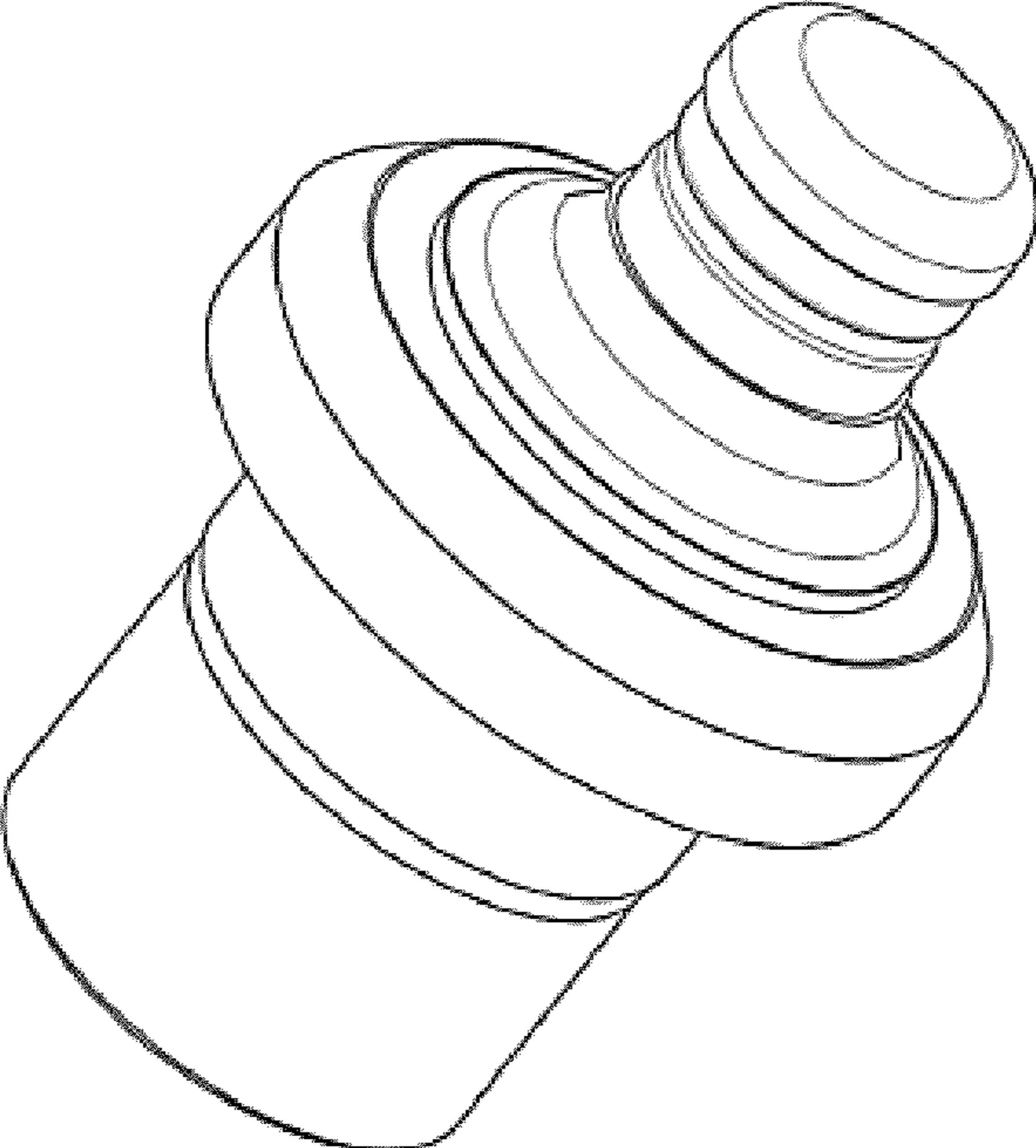


FIG. 15

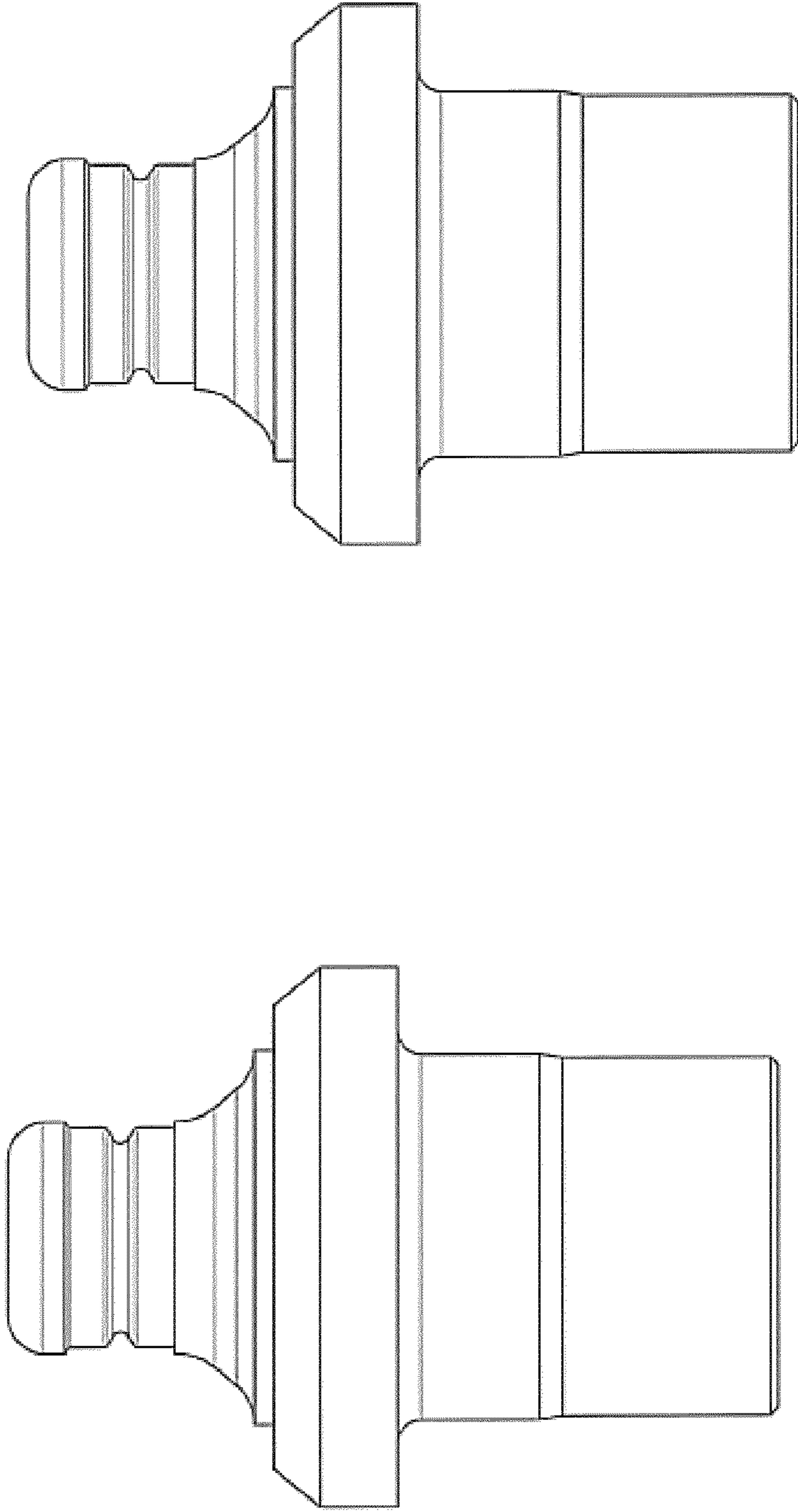


FIG. 16

FIG. 17

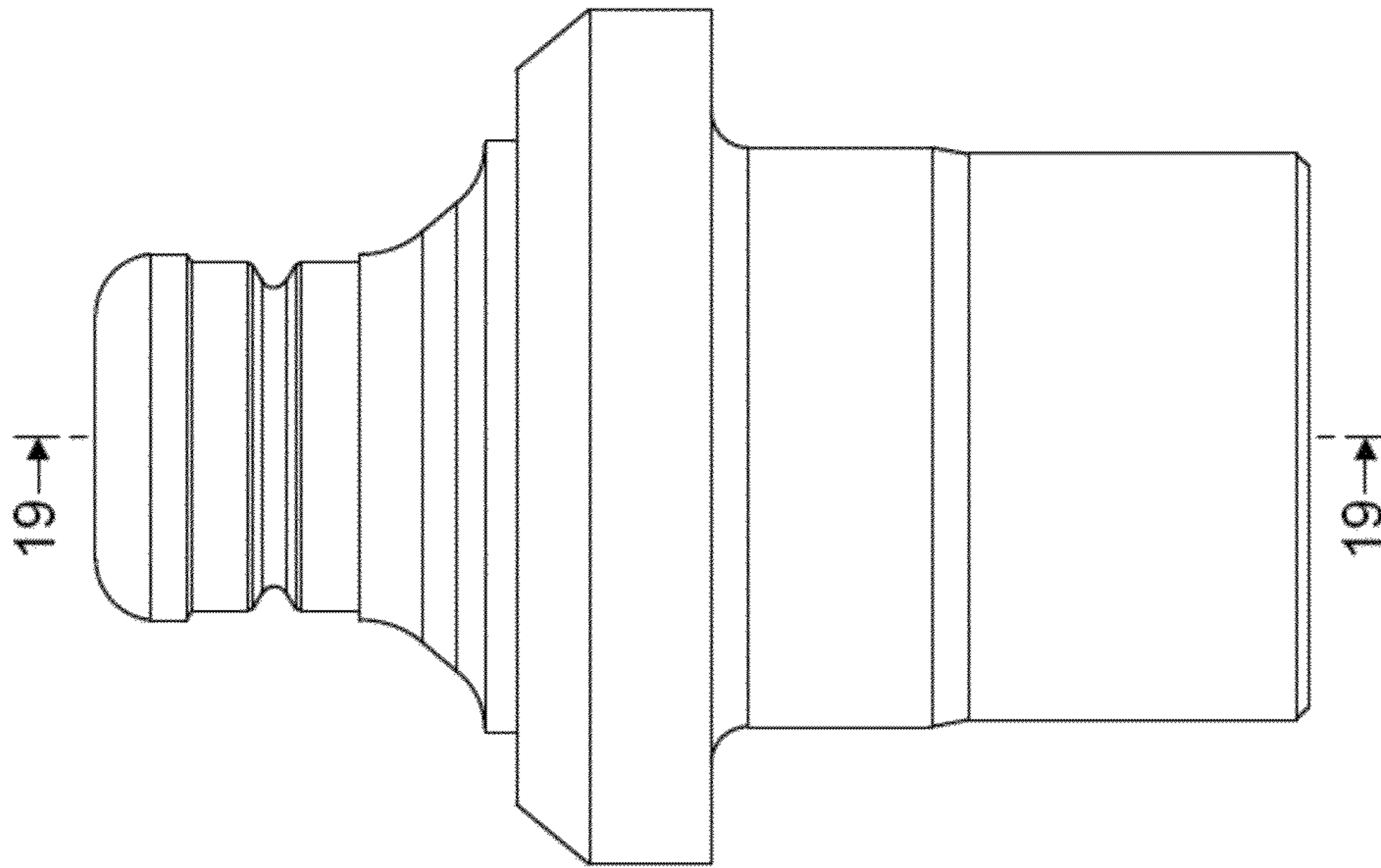


FIG. 18

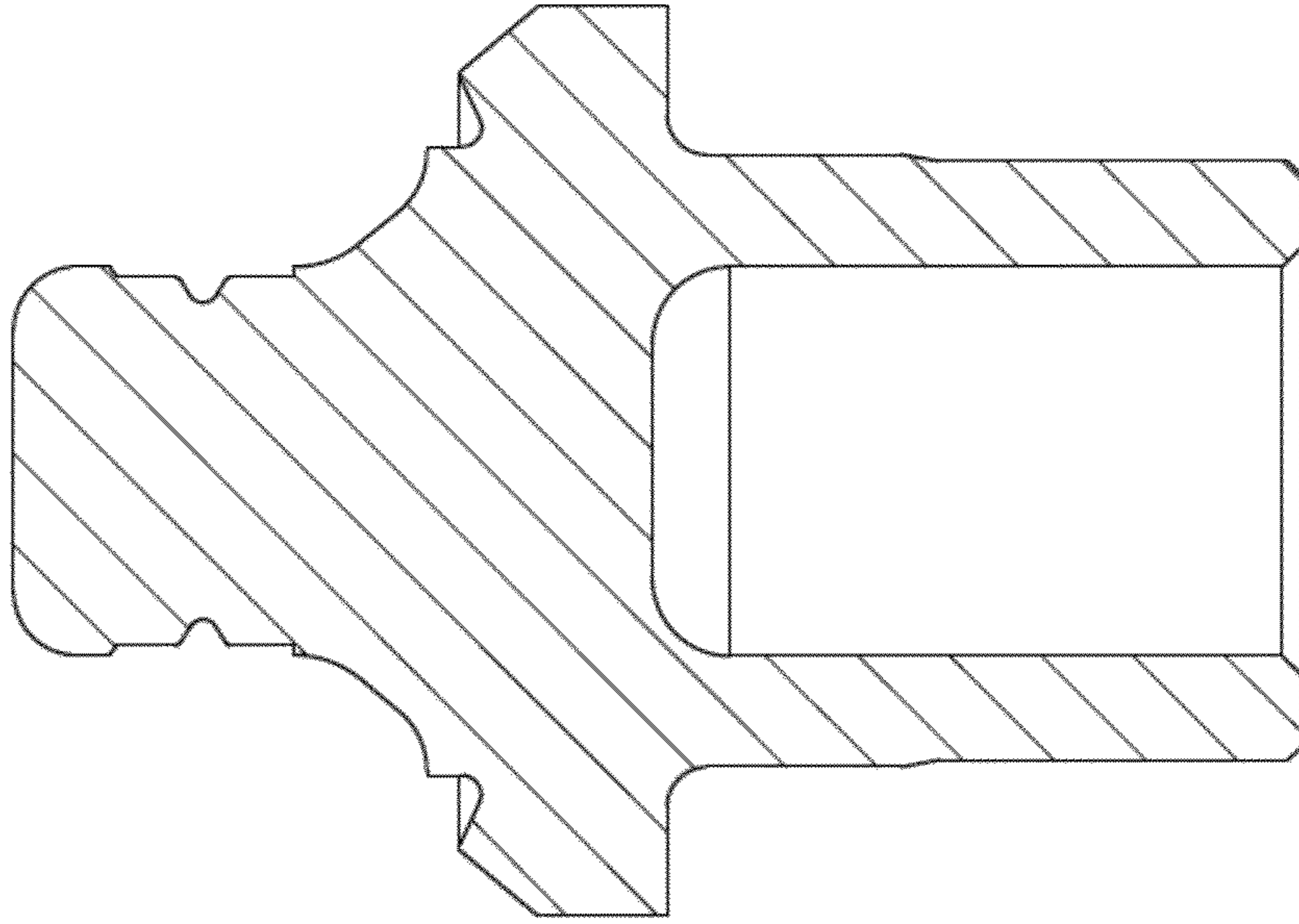


FIG. 19

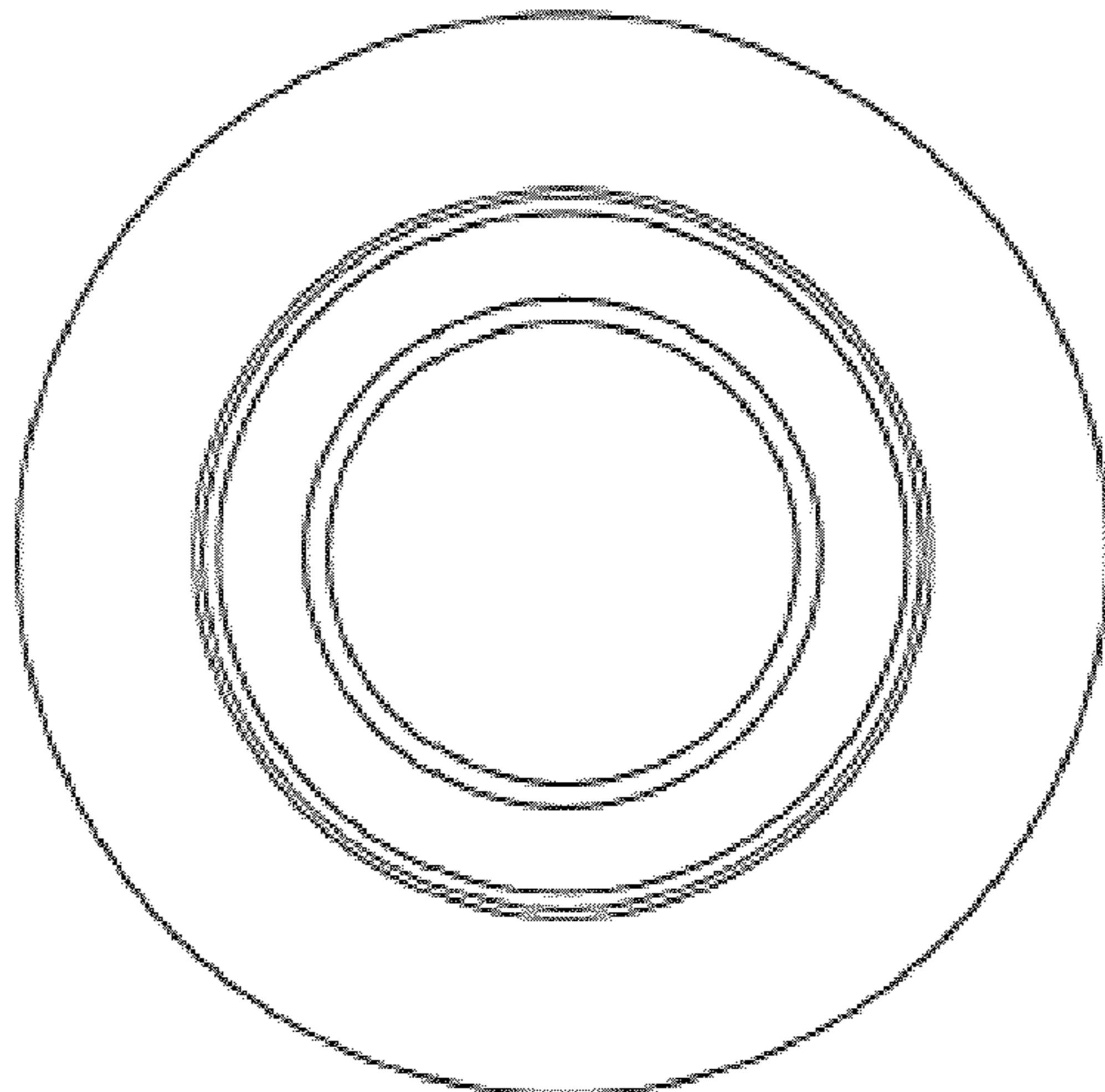


FIG. 21

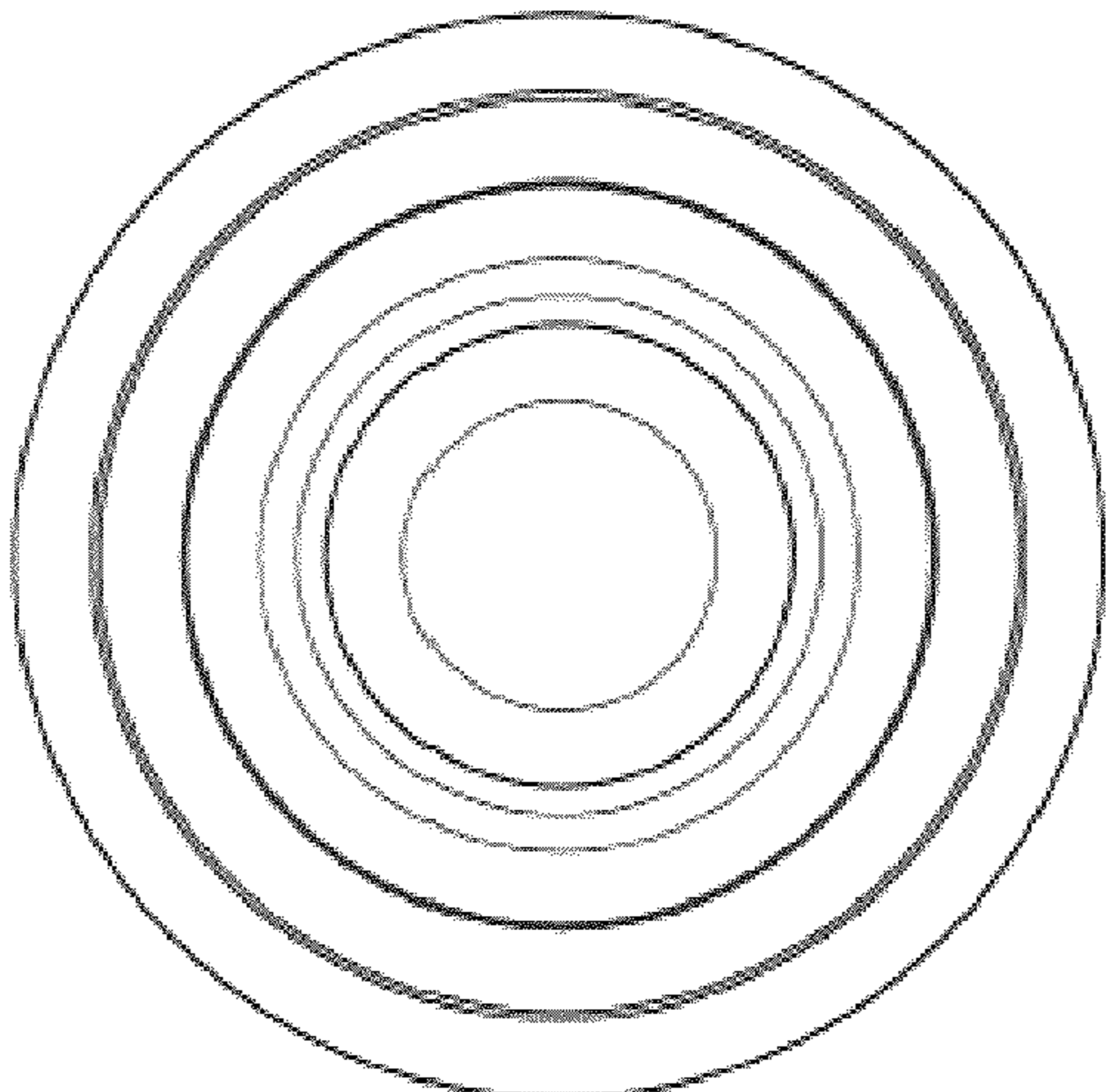


FIG. 20

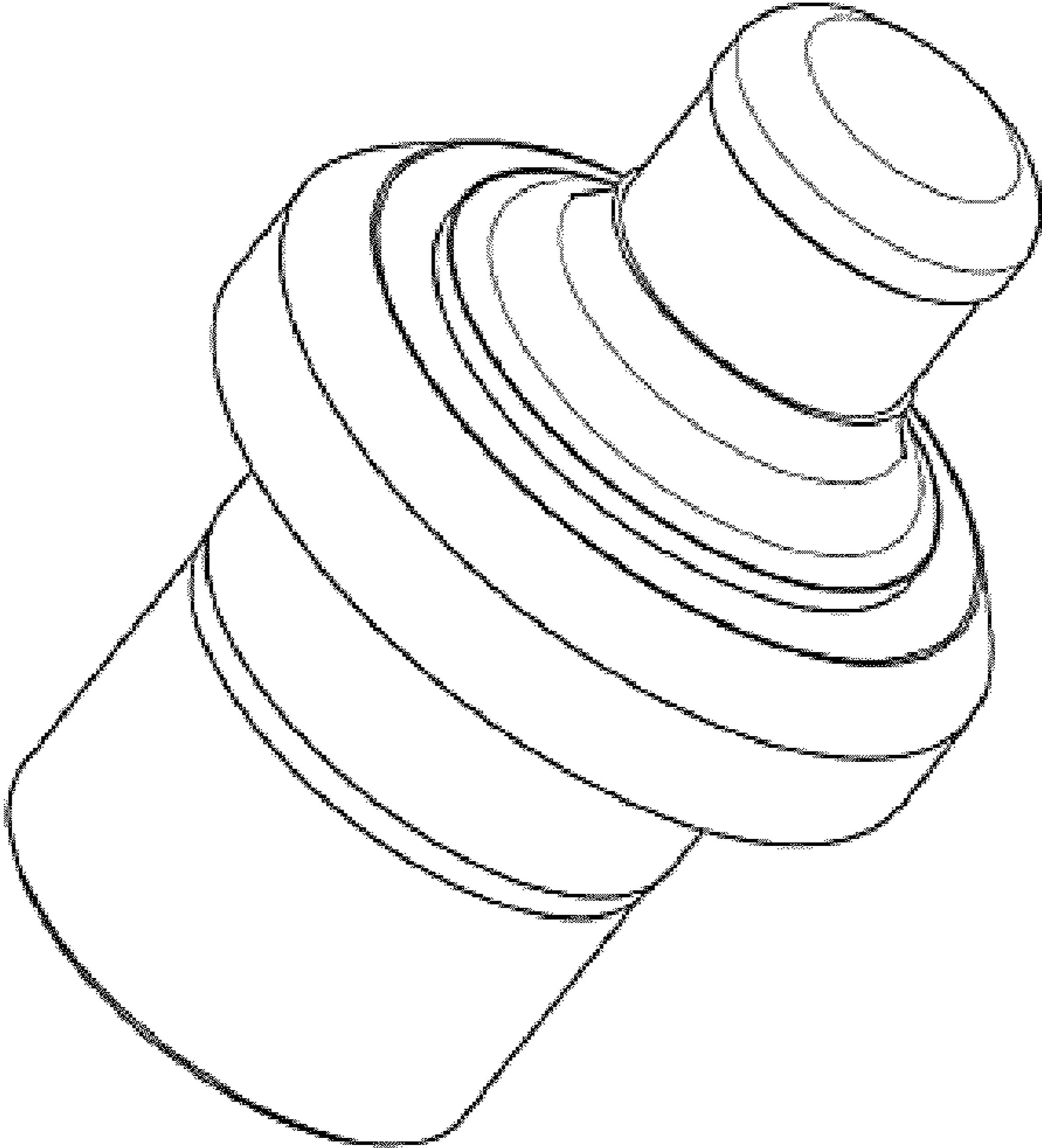


FIG. 22

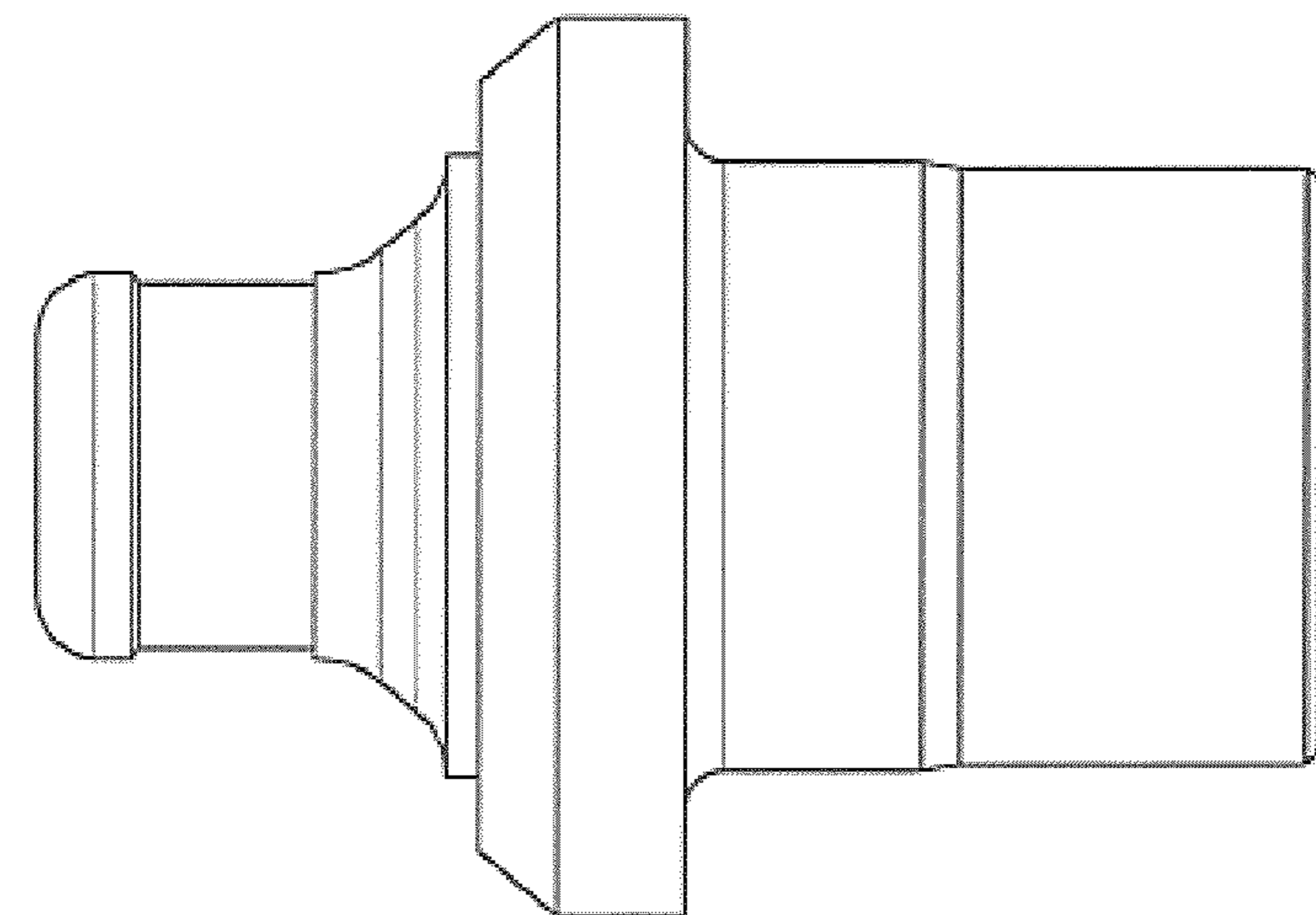


FIG. 24

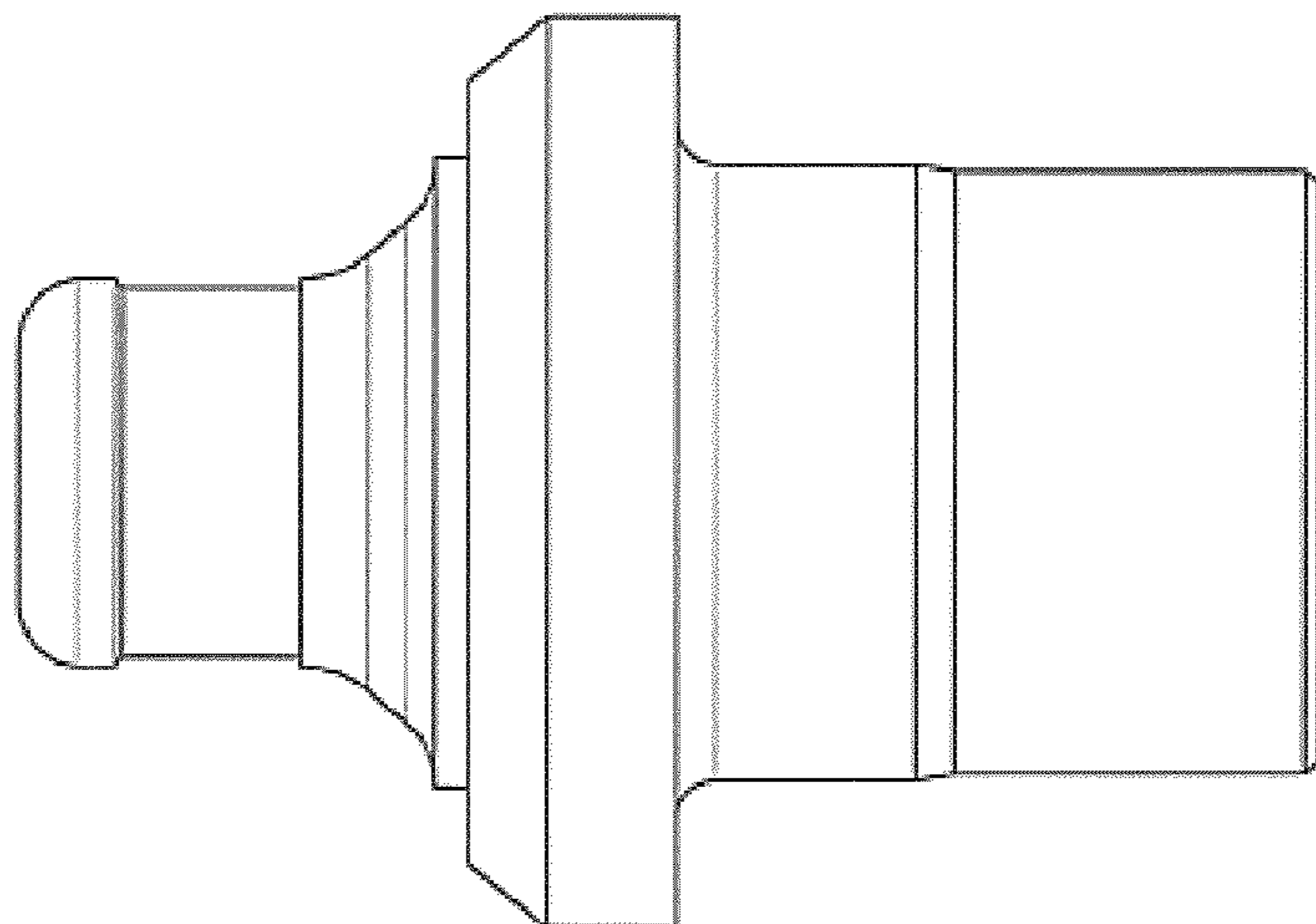


FIG. 23

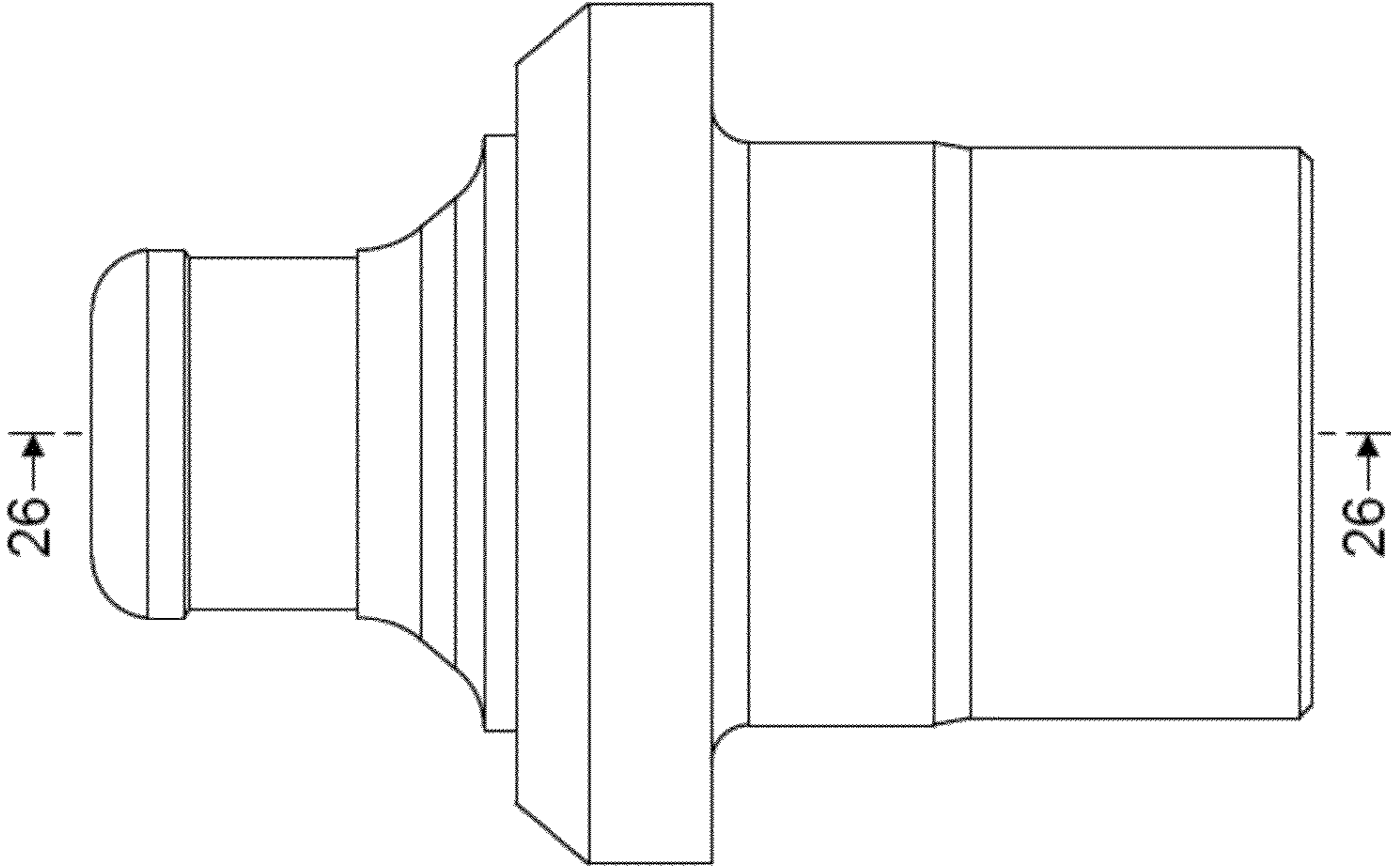


FIG. 25

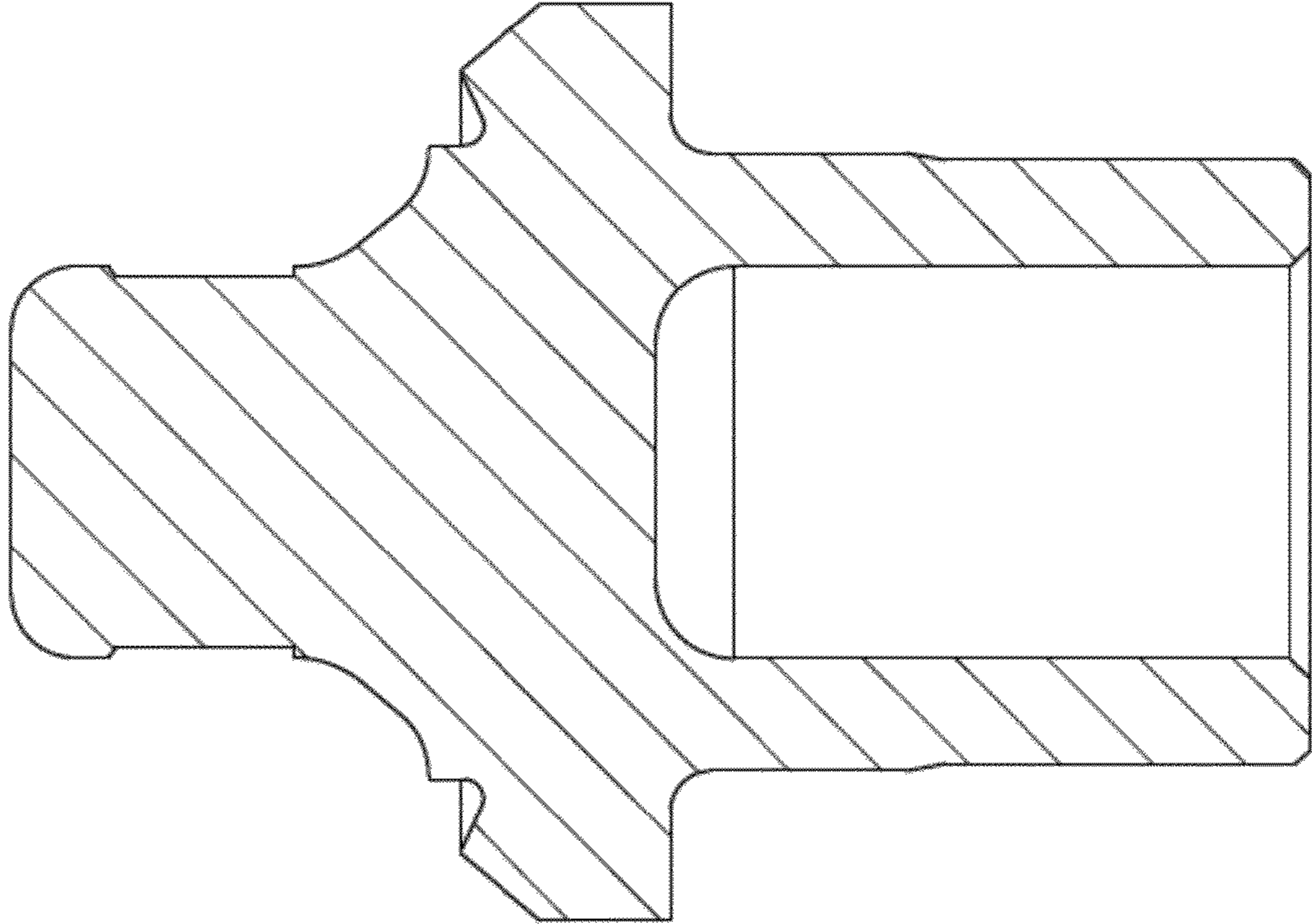


FIG. 26

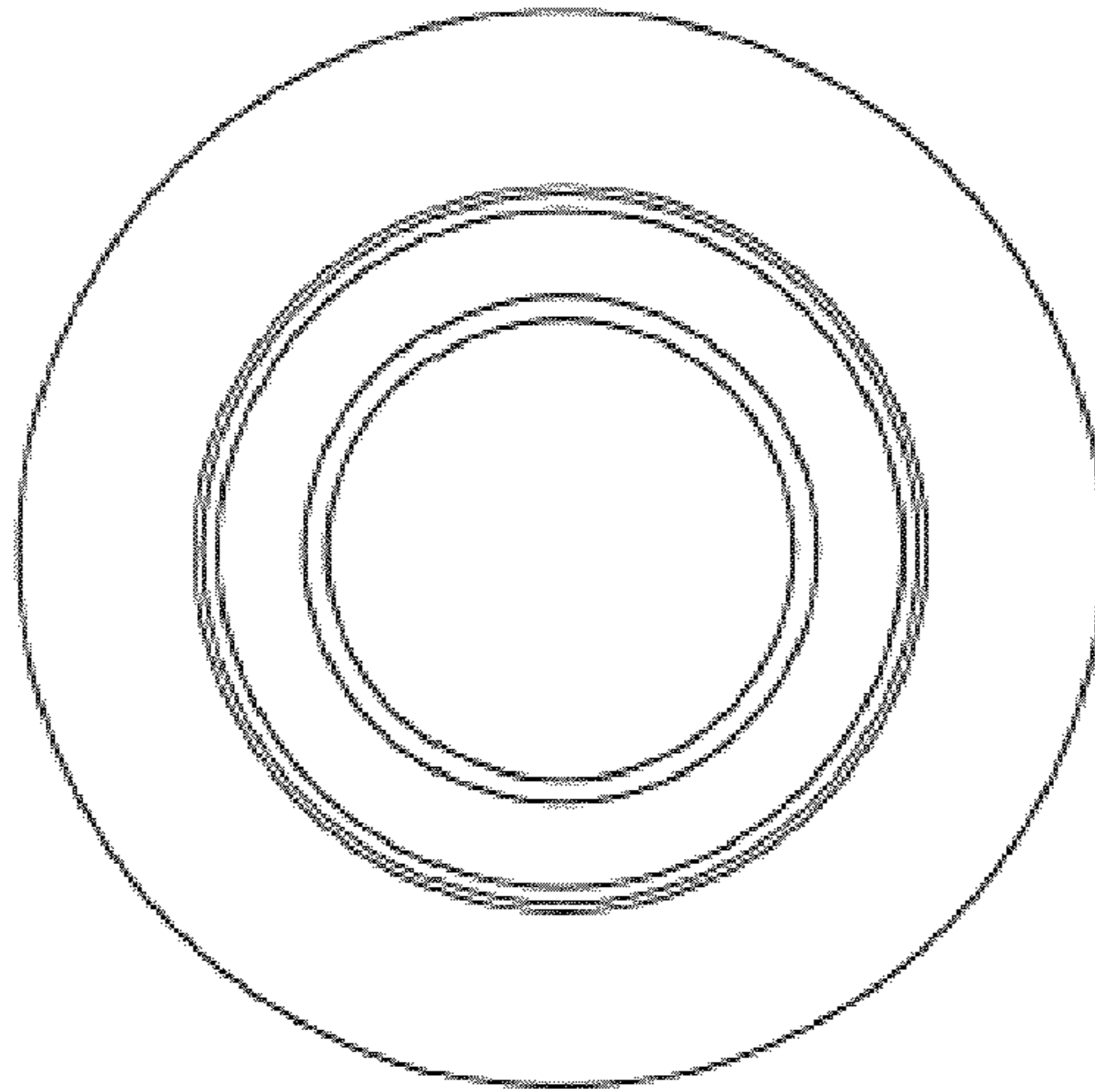


FIG. 28

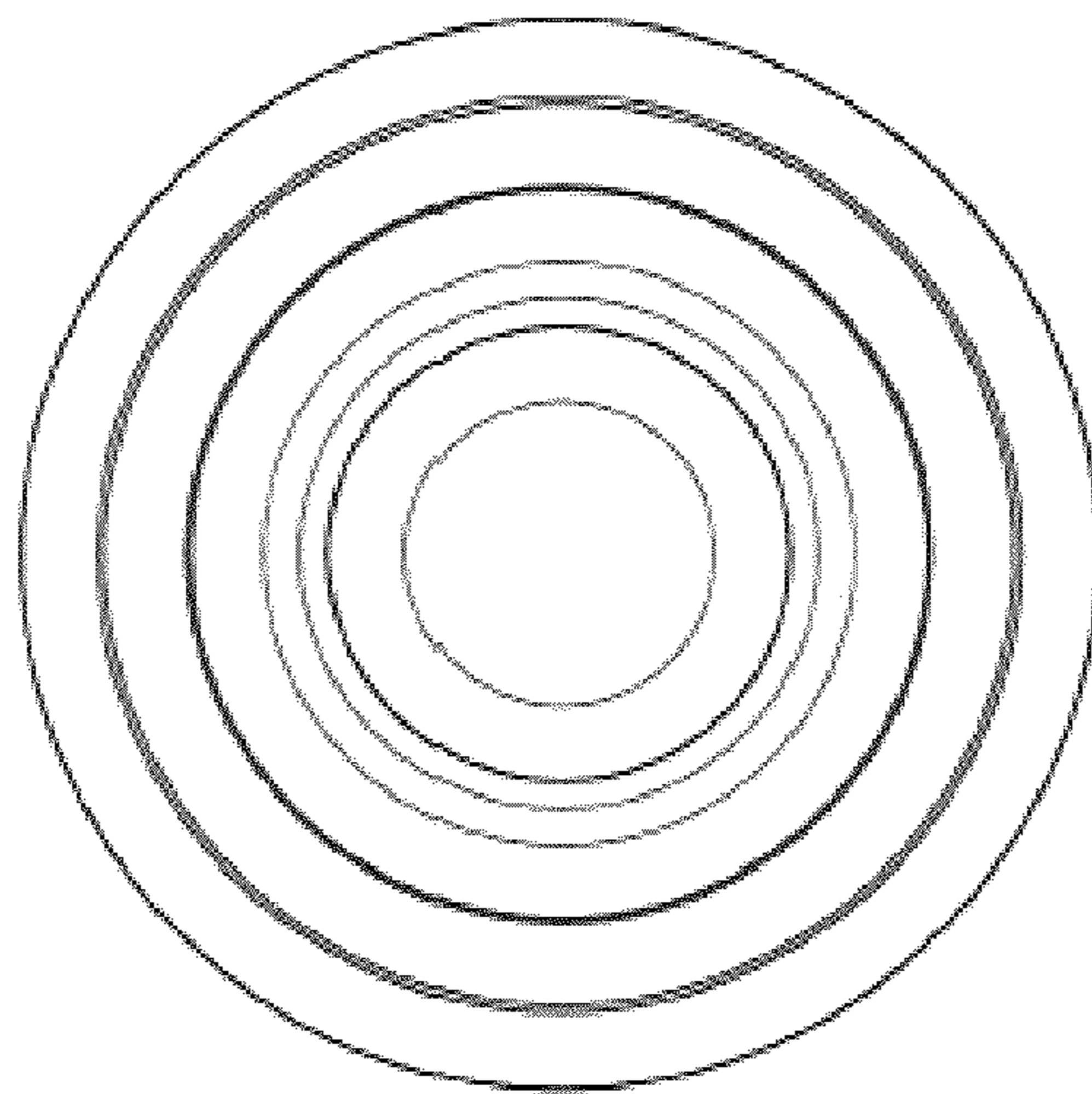


FIG. 27