



US00D746882S

(12) **United States Design Patent**
Haley

(10) **Patent No.:** **US D746,882 S**
(45) **Date of Patent:** **** Jan. 5, 2016**

- (54) **SWASH SERVO MOUNT**
- (71) Applicant: **Horizon Hobby, Inc.**, Champaign, IL (US)
- (72) Inventor: **James Haley**, Champaign, IL (US)
- (73) Assignee: **HORIZON HOBBY, LLC**, Champaign, IL (US)
- (**) Term: **14 Years**
- (21) Appl. No.: **29/476,620**
- (22) Filed: **Dec. 16, 2013**
- (51) **LOC (10) Cl.** **15-09**
- (52) **U.S. Cl.**
USPC **D15/138**
- (58) **Field of Classification Search**
USPC D13/112; D15/138
See application file for complete search history.

(56) **References Cited**

U.S. PATENT DOCUMENTS

4,188,645	A *	2/1980	Ragle	G11B 5/4833 310/331
6,550,360	B1 *	4/2003	Fukai	B23B 1/00 82/1.11
6,554,583	B1 *	4/2003	Pressel	F04B 27/1072 417/271
D569,404	S *	5/2008	Schueren	D15/148
7,380,492	B2 *	6/2008	Thoms	F04B 1/324 92/12.2
D573,091	S *	7/2008	Shih	D13/112
7,395,589	B1 *	7/2008	Kuo	B23B 29/242 29/33 J
7,501,731	B2 *	3/2009	Petty	A63H 29/24 310/75 R
7,506,729	B2 *	3/2009	Smith	B60B 39/006 188/4 B
7,520,209	B2 *	4/2009	Lorenzoni	F15B 15/063 74/337.5
D619,962	S *	7/2010	Gardner	D13/122
7,891,902	B2 *	2/2011	Petty	F16C 3/00 403/305
7,898,130	B2 *	3/2011	Tian	A63H 17/36 310/68 R

7,909,026 B2 * 3/2011 Prior F04C 18/16
123/559.1

(Continued)

Primary Examiner — Patricia Palasik

(74) *Attorney, Agent, or Firm* — Barnes & Thornburg LLP

(57) **CLAIM**

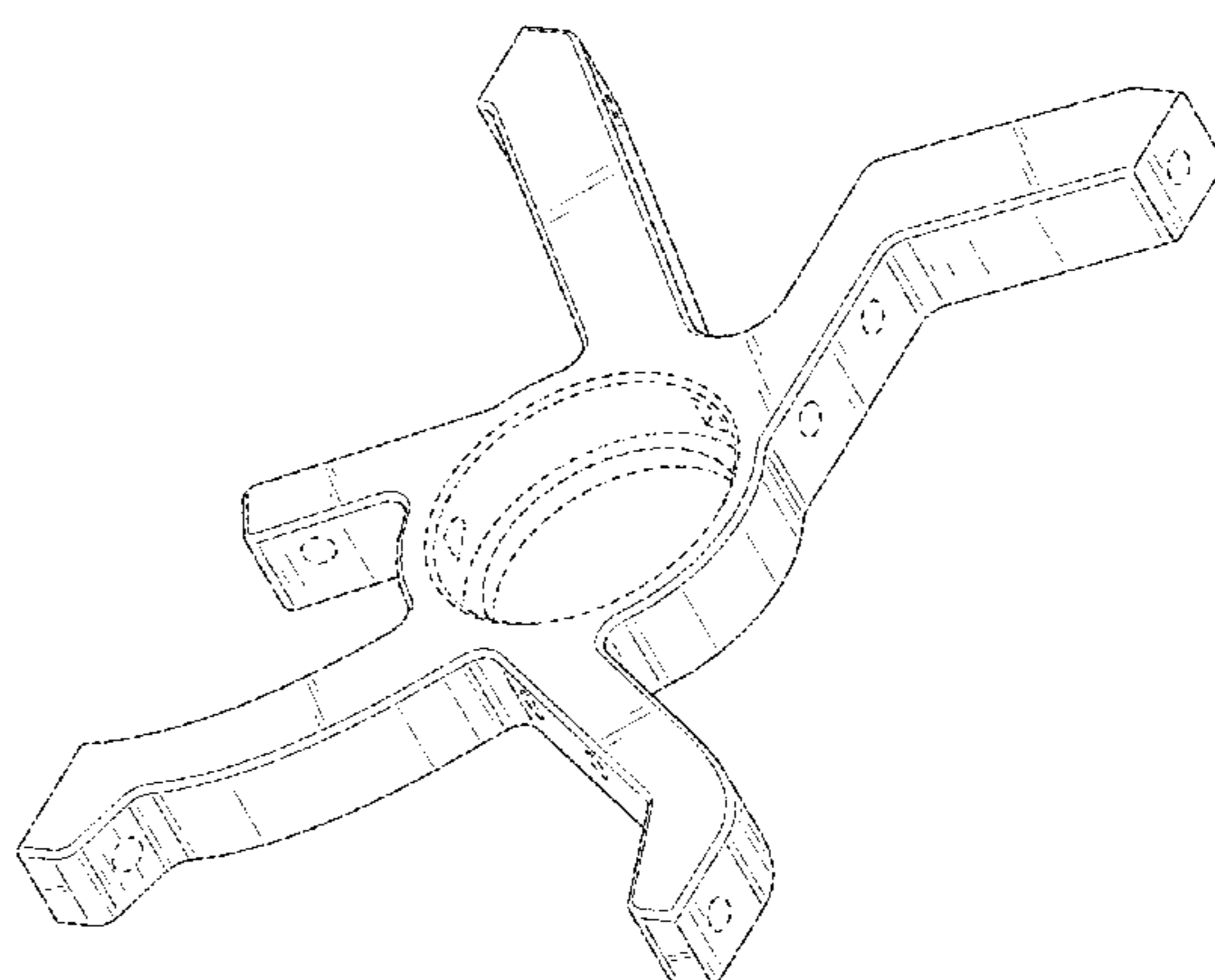
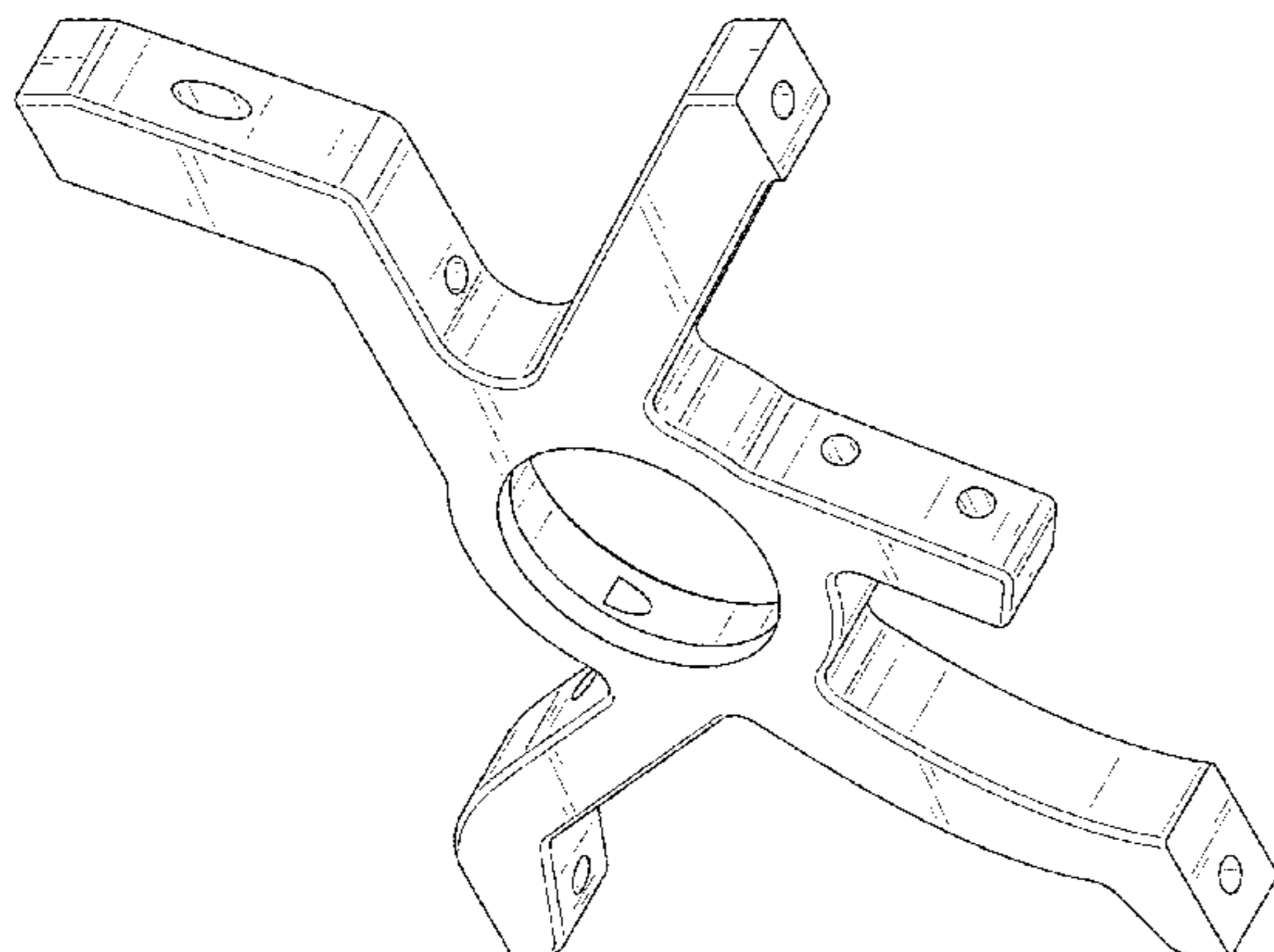
The ornamental design for a swash servo mount, as shown and described.

DESCRIPTION

FIG. 1 is a perspective view of a swash servo mount, according to a first embodiment of my new design;
 FIG. 2 is an opposite perspective view thereof;
 FIG. 3 is a perspective view thereof, shown in an example environment of use;
 FIG. 4 is a front view of FIG. 1;
 FIG. 5 is a back view of FIG. 1;
 FIG. 6 is a left view of FIG. 1;
 FIG. 7 is a right view of FIG. 1;
 FIG. 8 is a top view of FIG. 1;
 FIG. 9 is a bottom view of FIG. 1;
 FIG. 10 is a perspective view of a swash servo mount, according to a second embodiment of my new design;
 FIG. 11 is an opposite perspective view of the alternative embodiment of FIG. 10;
 FIG. 12 is a front view of the alternative embodiment of FIG. 10;
 FIG. 13 is a back view of the alternative embodiment of FIG. 10;
 FIG. 14 is a left side view of the alternative embodiment of FIG. 10;
 FIG. 15 is a right side view of the alternative embodiment of FIG. 10;
 FIG. 16 is a top view of the alternative embodiment of FIG. 10; and,
 FIG. 17 is a bottom view of the alternative embodiment of FIG. 10.

The broken lines illustrate portions of the drawings that form no part of the claimed design.

1 Claim, 13 Drawing Sheets



(56)

References Cited

U.S. PATENT DOCUMENTS

7,911,095 B2 *	3/2011	Shu	H02K 7/02 310/74	8,671,858 B2 *	3/2014	Morgante	D05C 15/26 112/80.04
7,965,008 B2 *	6/2011	Chai	H02K 1/278 310/156.25	8,816,553 B2 *	8/2014	Petty	F16C 35/045 310/89
8,030,813 B2 *	10/2011	Fukano	H02K 11/0015 310/75 B	8,844,695 B2 *	9/2014	Janson	F16D 25/10 192/48.619
8,074,533 B2 *	12/2011	Fischer	F15B 9/12 74/473.11	8,967,179 B2 *	3/2015	Ozzello	F15B 13/0436 137/625.61
8,167,518 B2 *	5/2012	Mathis	B23Q 5/225 408/1 R	2006/0003865 A1 *	1/2006	Petty	A63H 29/22 477/7
8,365,631 B2 *	2/2013	Pepe	B25H 1/0007 248/300	2010/0135828 A1 *	6/2010	Lee	F04B 27/1072 417/269
8,425,162 B2 *	4/2013	Schevers	B23Q 5/225 408/100	2010/0282071 A1 *	11/2010	Lee	F04B 27/1072 91/506
					2015/0086400 A1 *	3/2015	Bae	F04B 1/2042 417/437

* cited by examiner

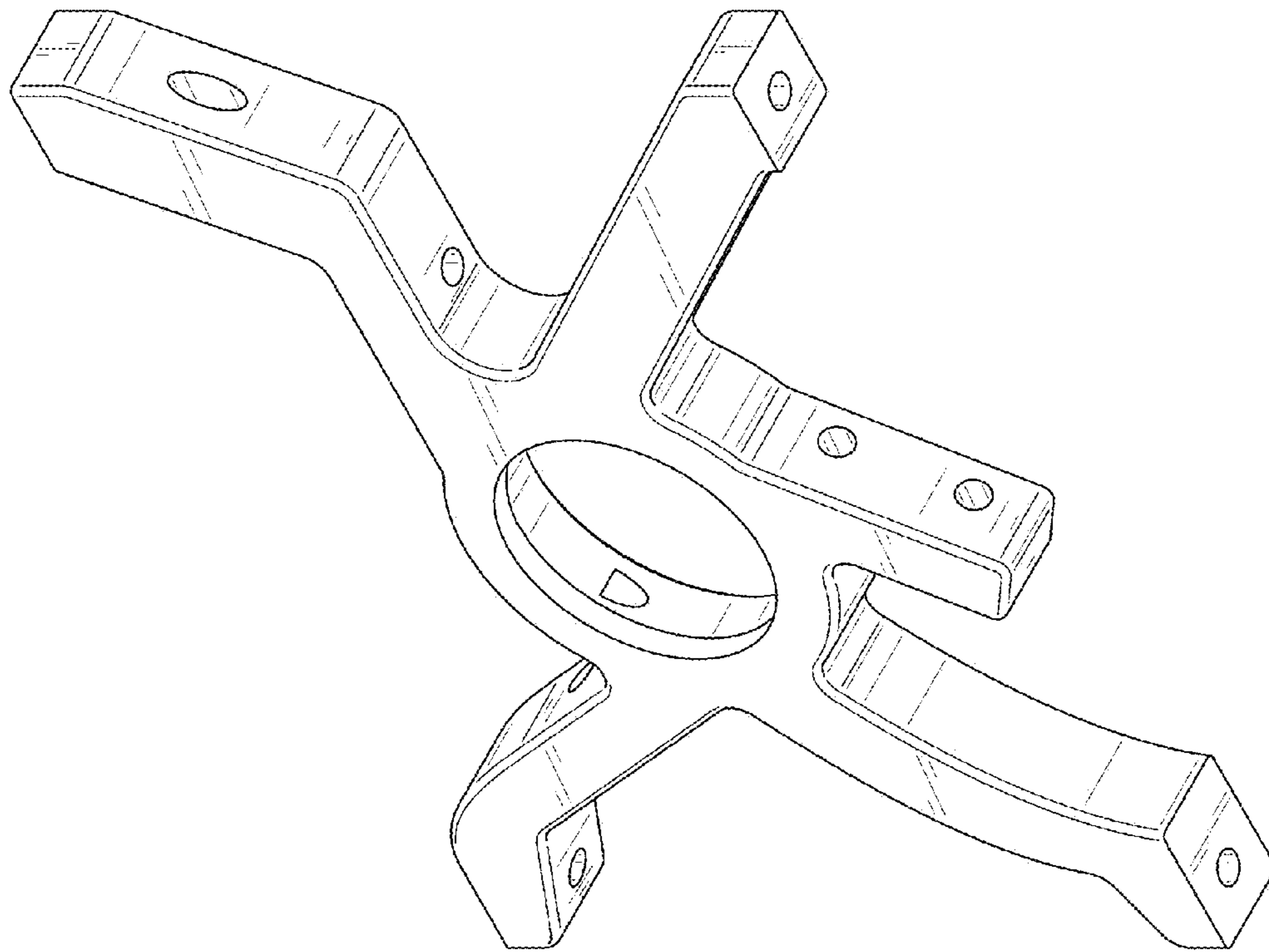


FIG. 1

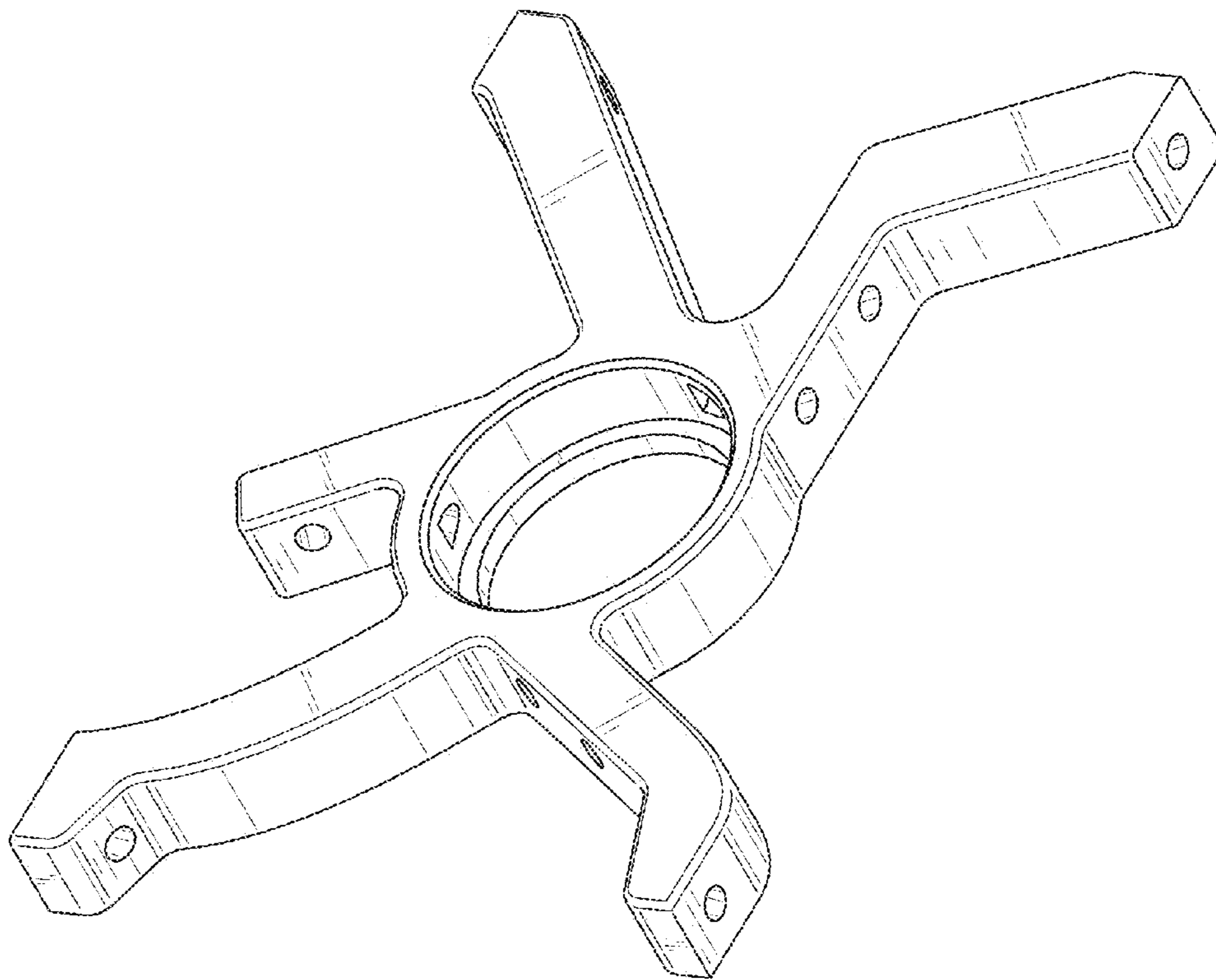


FIG. 2

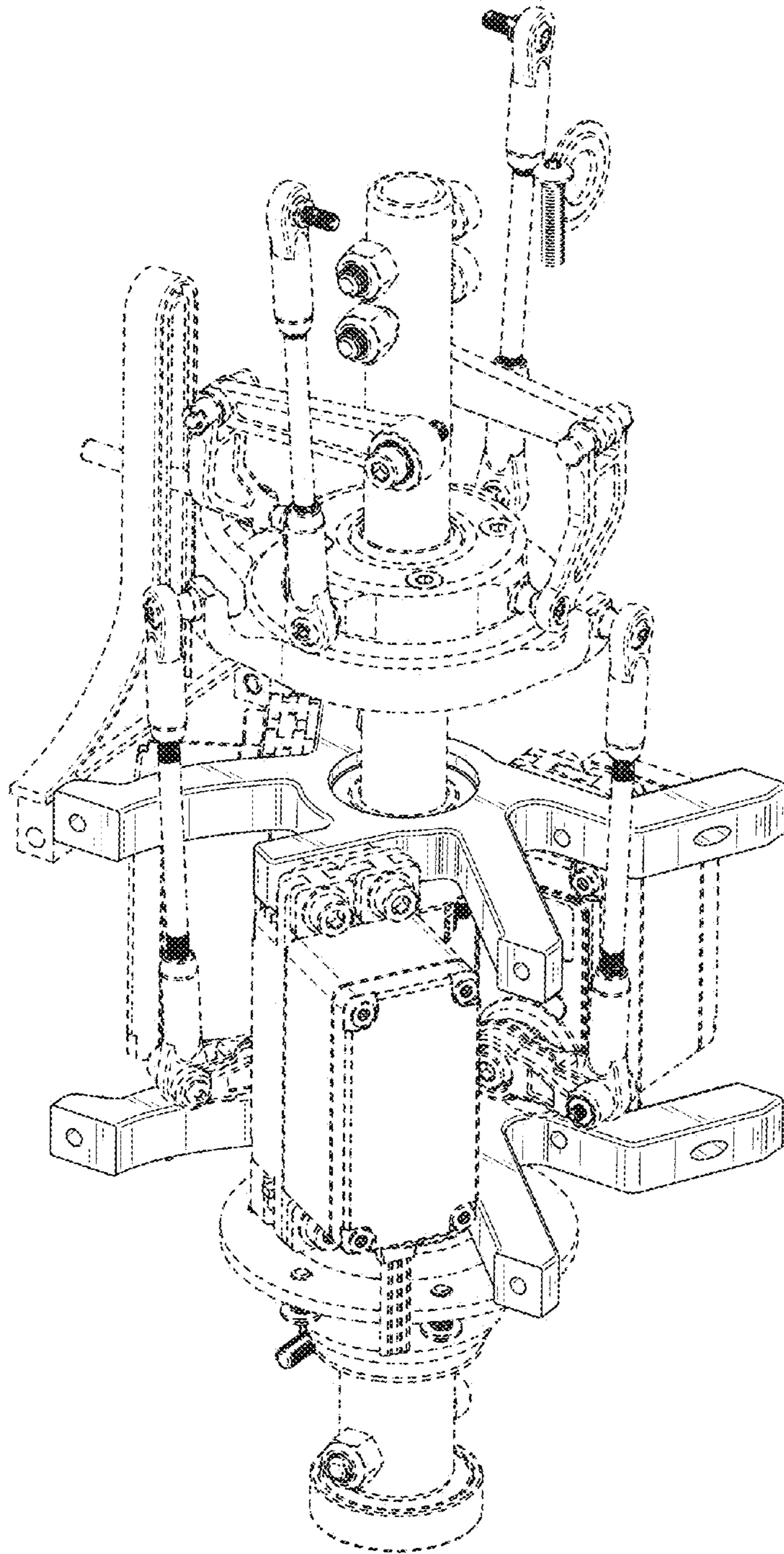


FIG. 3

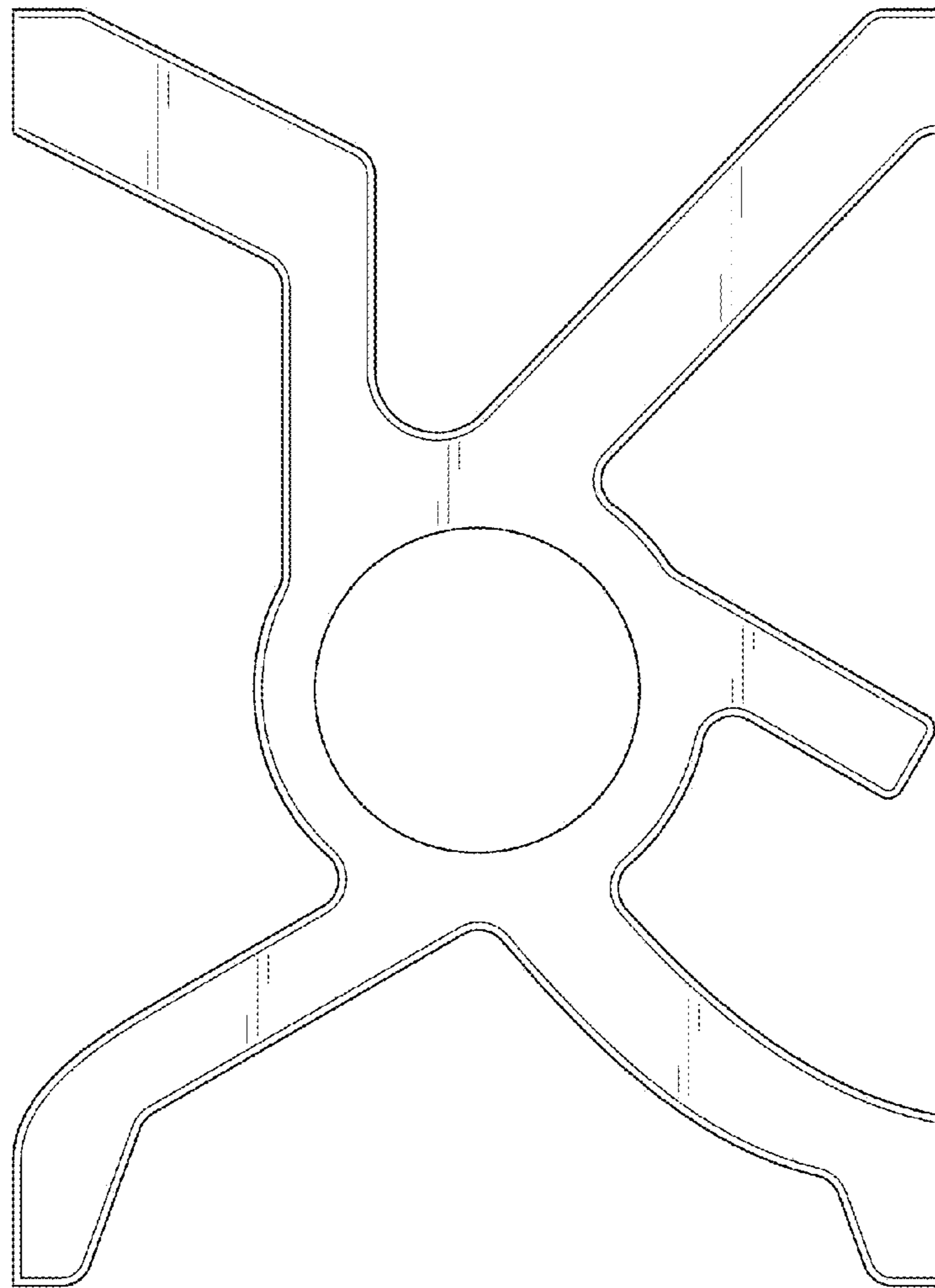


FIG. 8

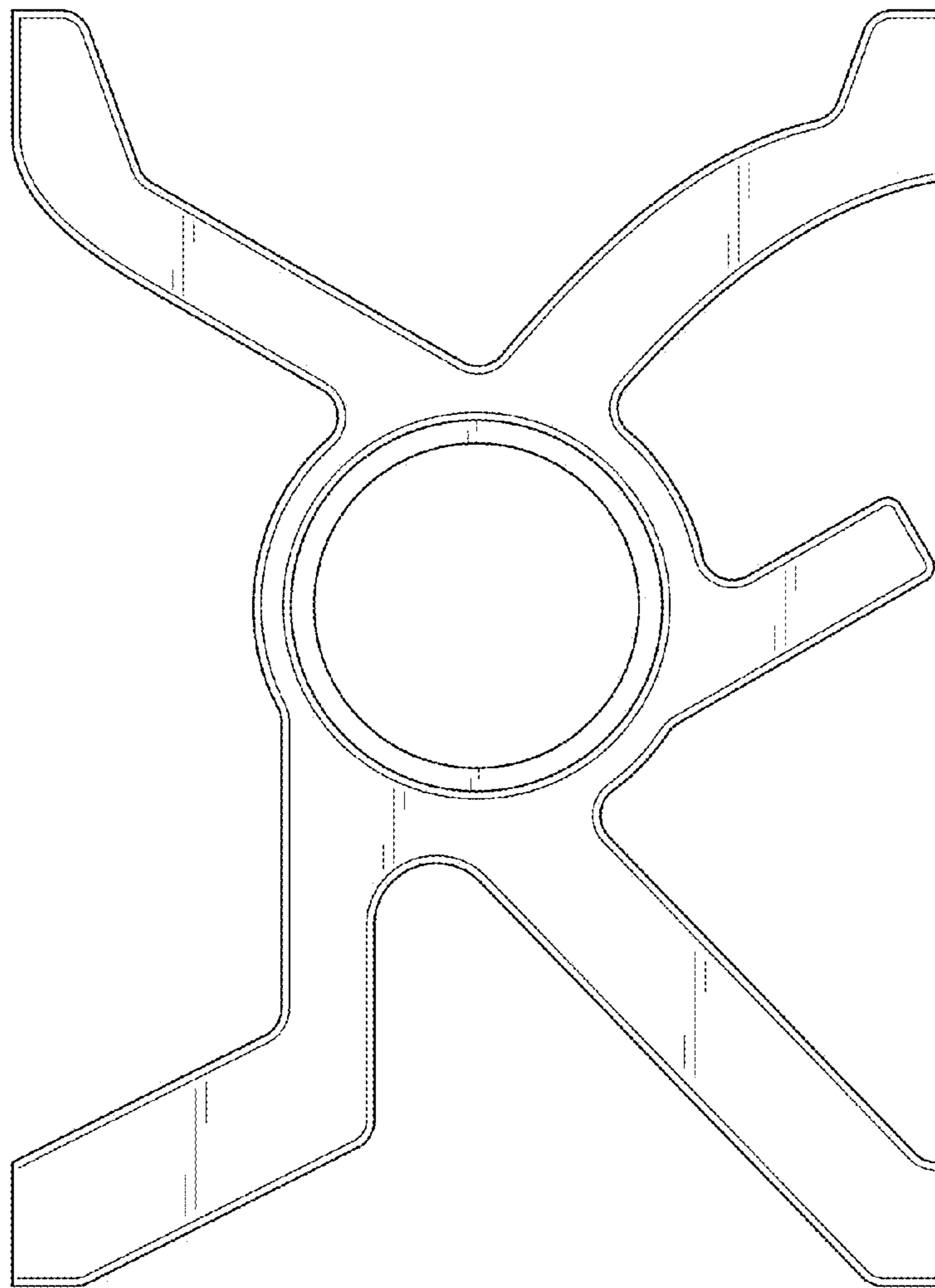


FIG. 9

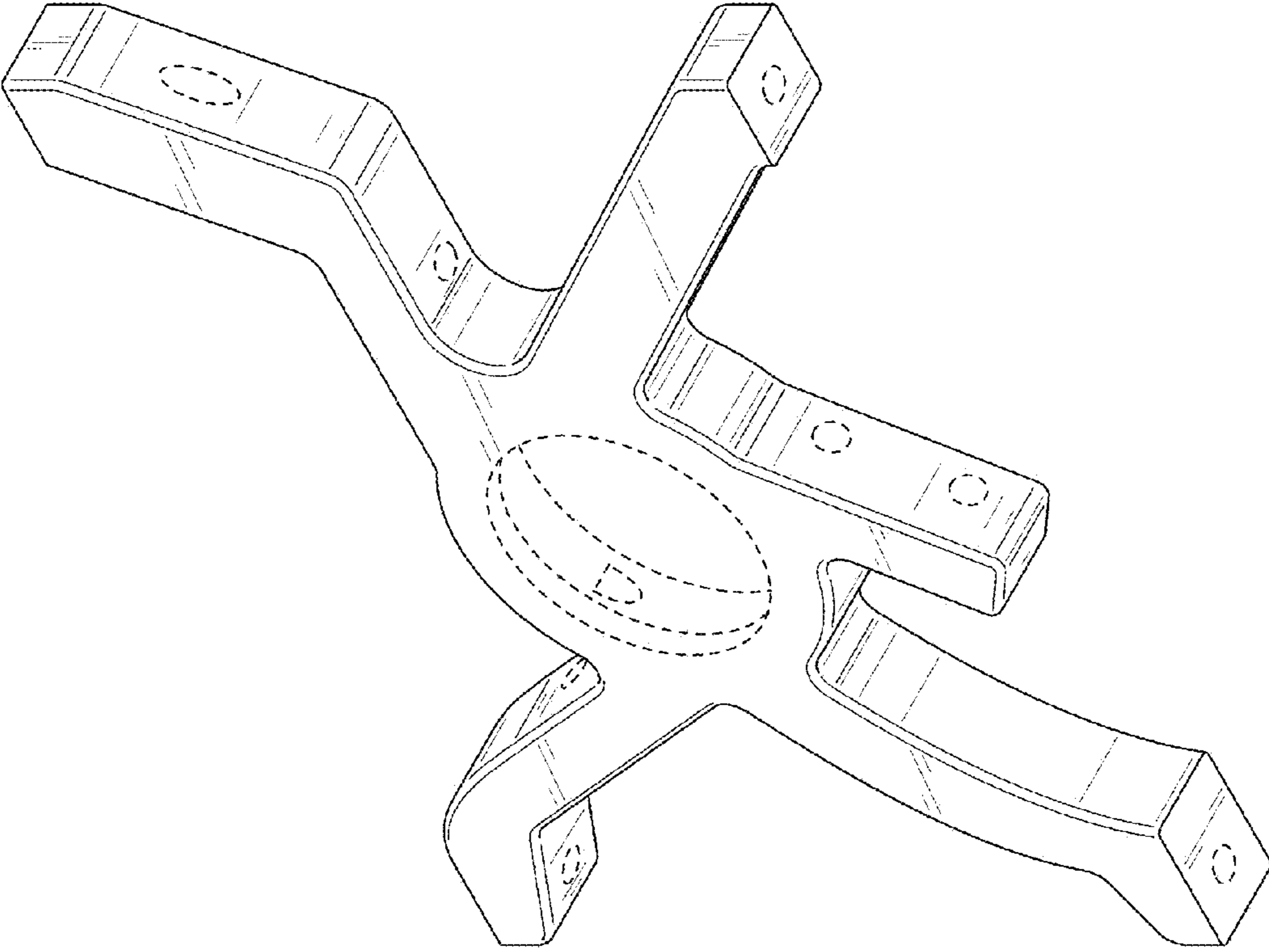


FIG. 10

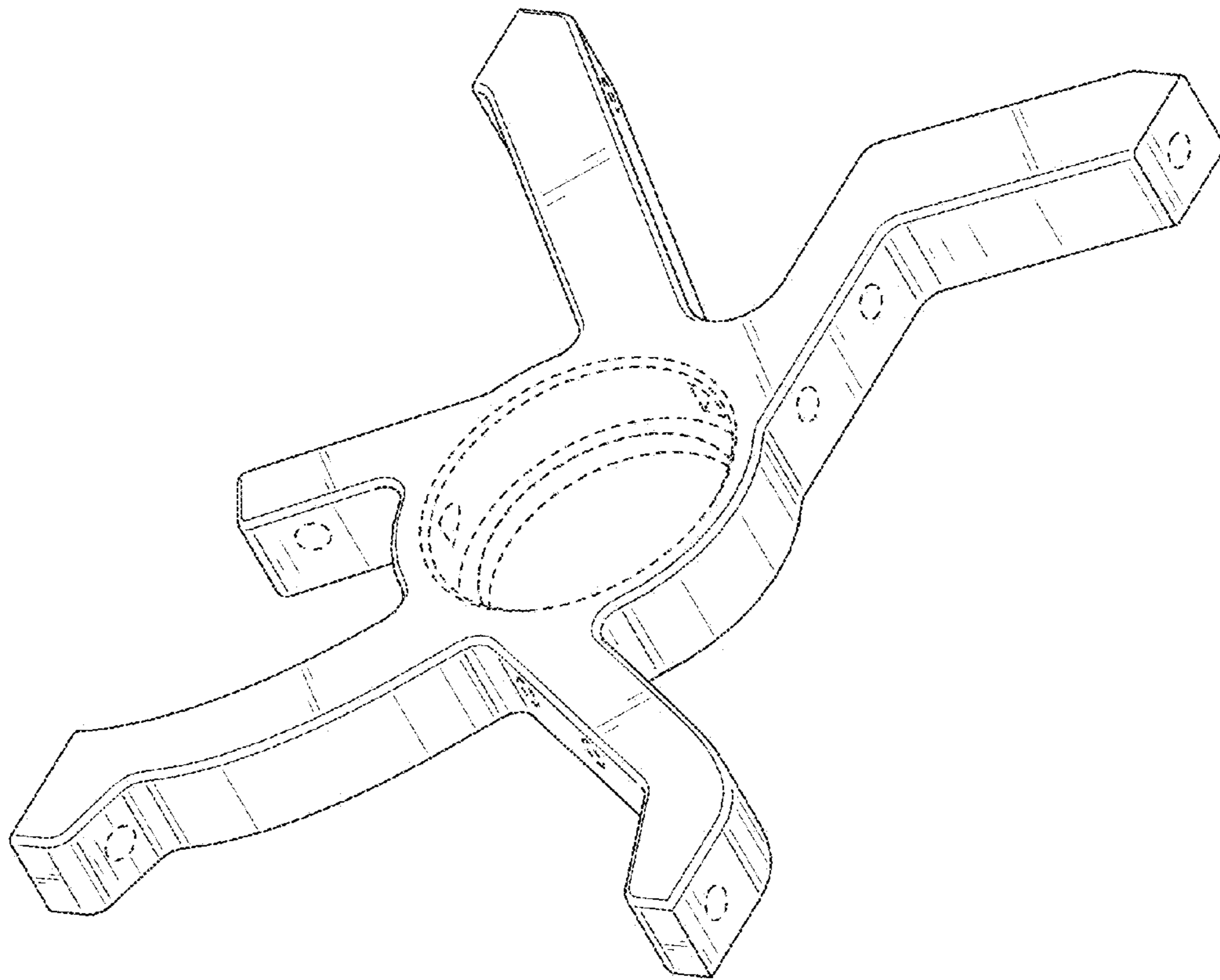


FIG. 11

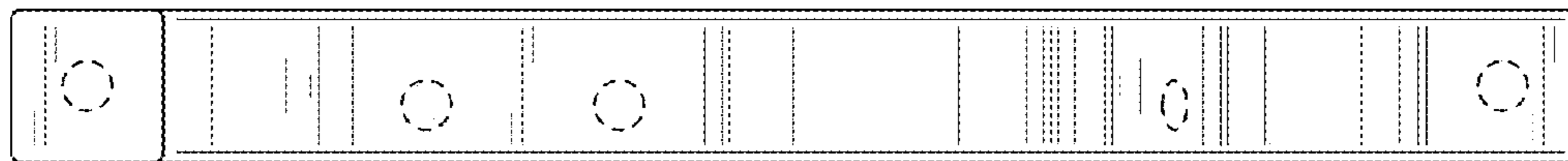


FIG. 14

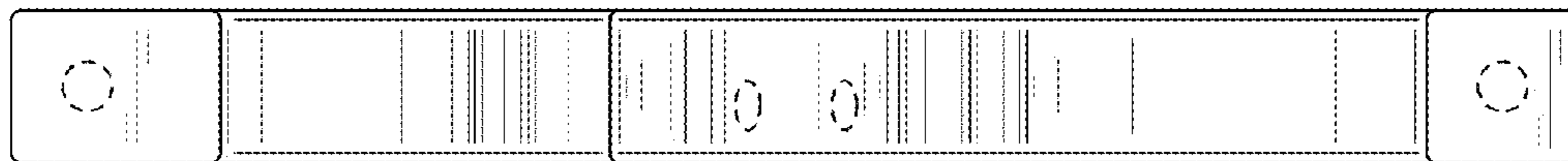


FIG. 15

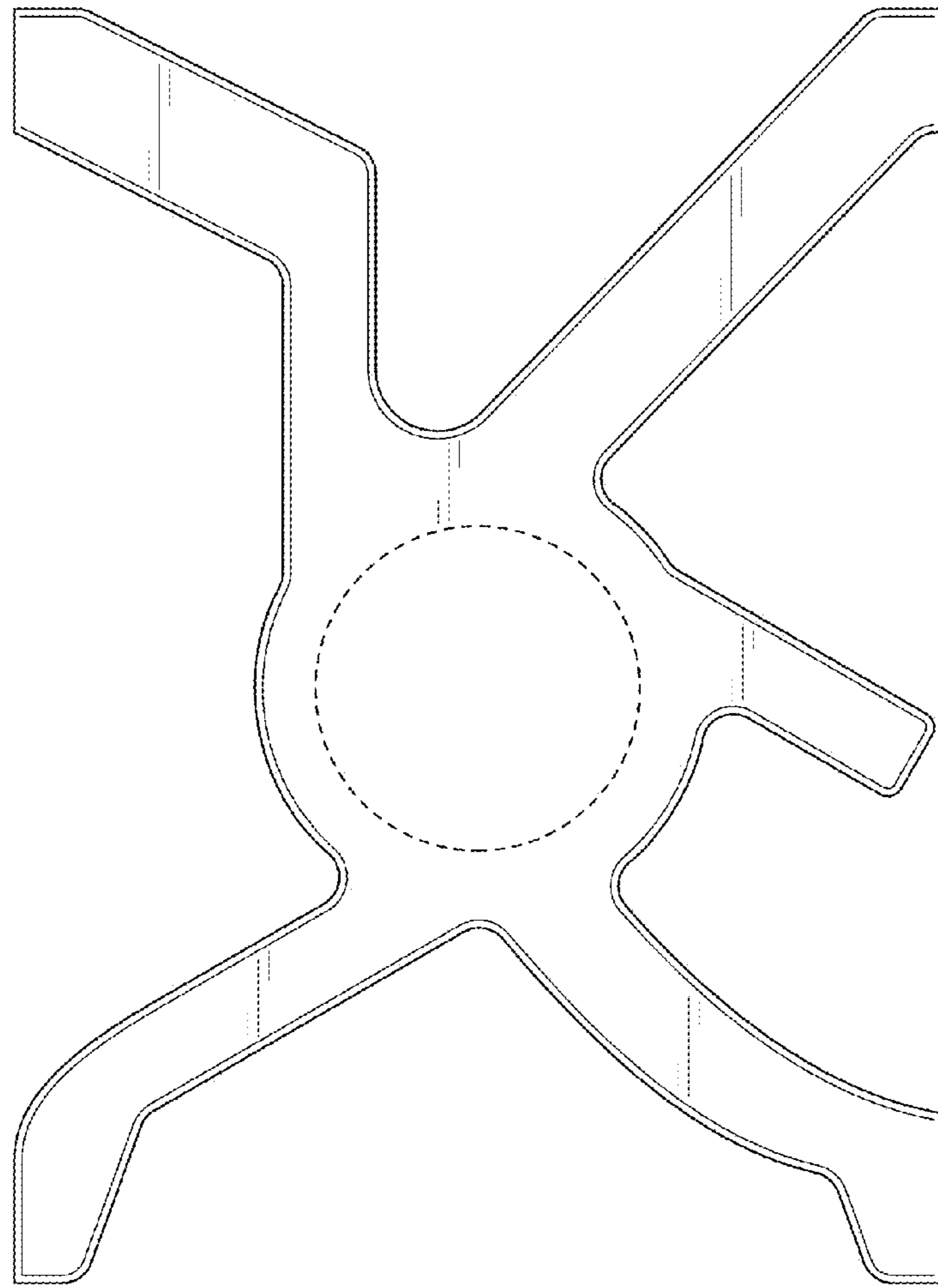


FIG. 16

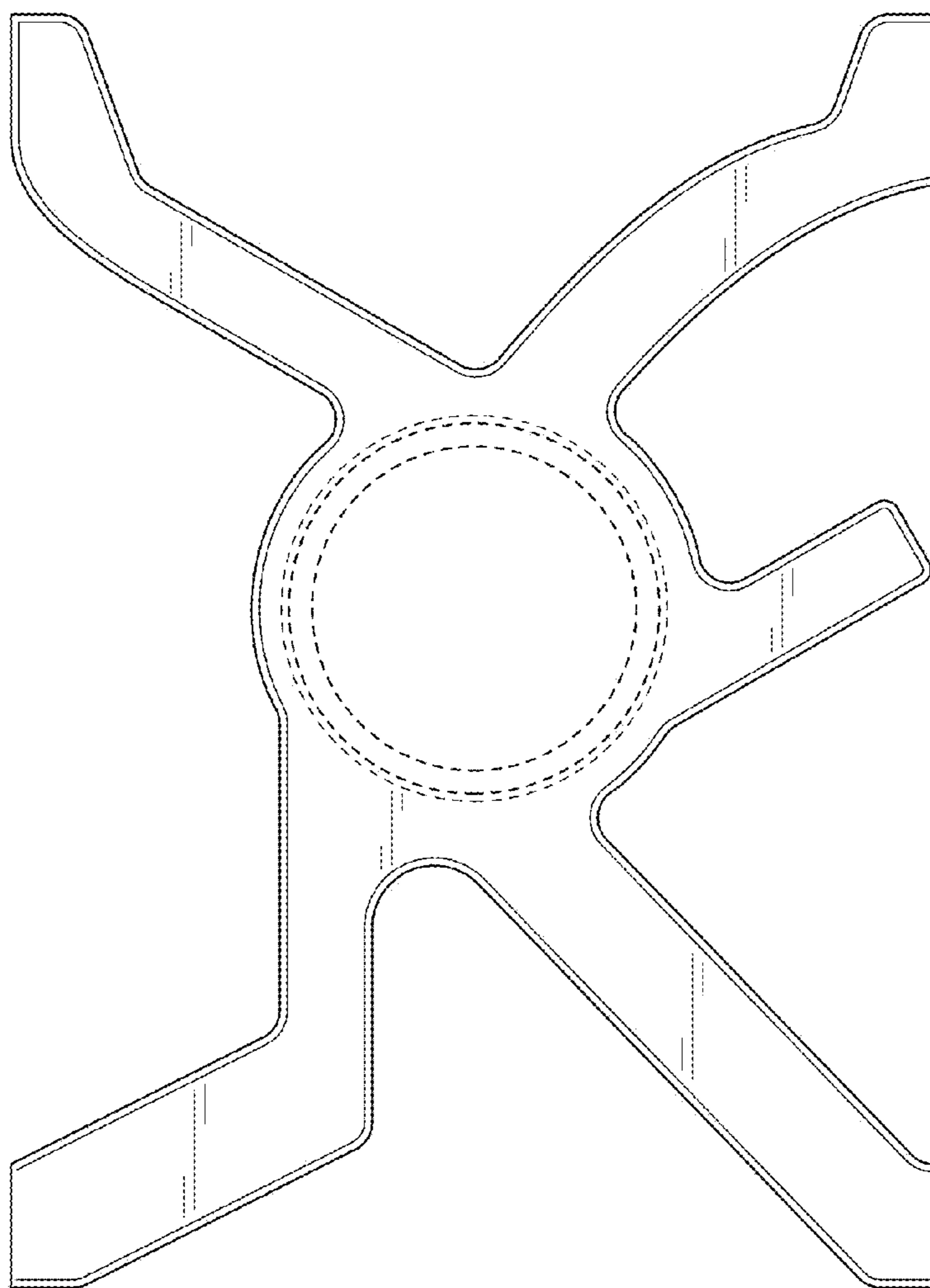


FIG. 17