



US00D746881S

(12) **United States Design Patent**
Anantha et al.

(10) **Patent No.:** **US D746,881 S**
(45) **Date of Patent:** **** Jan. 5, 2016**

(54) **THREE-DIMENSIONAL PRINTER FRAME**

(56)

References Cited

(71) Applicant: **MakerBot Industries, LLC**, Brooklyn, NY (US)

(72) Inventors: **Vishnu Anantha**, Queens, NY (US); **Jackson Seidenberg**, Brooklyn, NY (US); **Taylor S. Goodman**, Chappaqua, NY (US); **William B. Buel**, New York, NY (US); **Marguerite Siboni**, New York, NY (US); **Kevin C. Rand**, New York, NY (US); **Peter Joseph Schmehl**, New York, NY (US); **Jonah Gold**, Brooklyn, NY (US); **Bryan Vaccaro**, Jersey City, NJ (US)

(73) Assignee: **MakerBot Industries, LLC**, Brooklyn, NY (US)

(**) Term: **14 Years**

(21) Appl. No.: **29/478,418**

(22) Filed: **Jan. 5, 2014**

(51) **LOC (10) Cl.** **15-09**

(52) **U.S. Cl.**
USPC **D15/122**

(58) **Field of Classification Search**
USPC D18/6-7, 14, 19, 50, 54.1, 54, 55, 59;
D15/135, 138, 122; 101/38.1;
264/112-113, 308, 401, 497, 642;
425/162, 173, 375; D20/18; 118/46

See application file for complete search history.

U.S. PATENT DOCUMENTS

D390,591	S	*	2/1998	Okamoto et al.	D18/55
5,885,511	A	*	3/1999	Heller et al.	264/308
D519,151	S	*	4/2006	Tashiro	D18/54
D539,841	S	*	4/2007	Hegge	D18/53
7,297,304	B2	*	11/2007	Swanson et al.	264/308
D558,261	S	*	12/2007	Hong et al.	D18/50
D562,380	S	*	2/2008	Kato et al.	D18/50
7,939,003	B2	*	5/2011	Bonassar et al.	264/308
D677,723	S	*	3/2013	Buel et al.	D18/59
D686,658	S	*	7/2013	Matsuno et al.	D18/50
D688,741	S	*	8/2013	Joyce	D18/50
D711,463	S	*	8/2014	Costabeber	D18/50
D722,108	S	*	2/2015	Reches et al.	D18/50

* cited by examiner

Primary Examiner — Cathy Anne MacCormac

(74) *Attorney, Agent, or Firm* — Strategic Patents, P.C.

(57) **CLAIM**

What is claimed is the ornamental design for a three-dimensional printer frame, as shown and described.

DESCRIPTION

FIG. 1 is a front perspective view of a design for a three-dimensional printer frame.

FIG. 2 is a left side view of the design.

FIG. 3 is a right side view of the design.

FIG. 4 is a front view of the design.

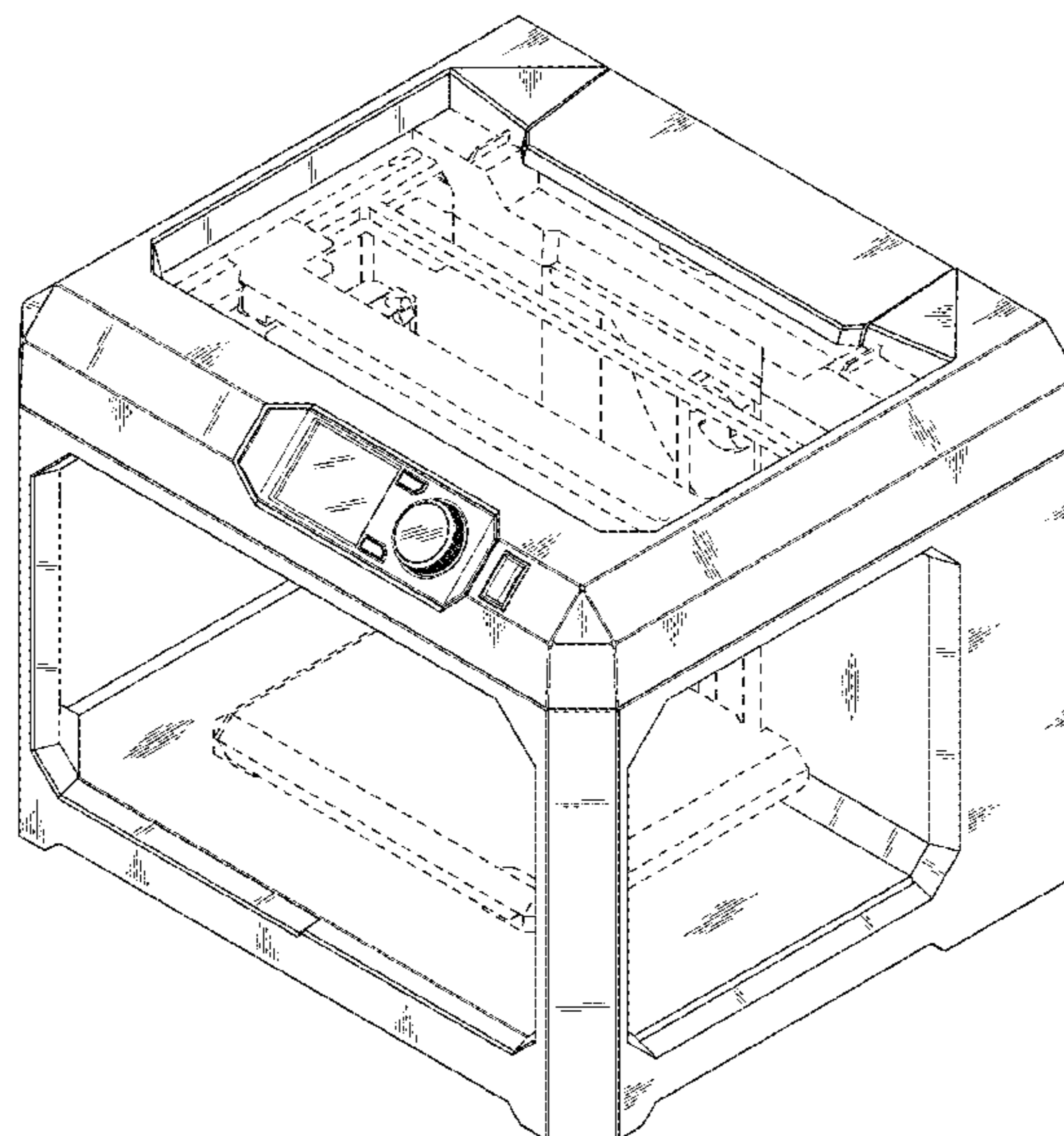
FIG. 5 is a back view of the design.

FIG. 6 is a top view of the design; and,

FIG. 7 is a bottom view of the design.

The broken lines showing portions of the three-dimensional printer frame are for illustrative purposes only and form no part of the claimed design.

1 Claim, 7 Drawing Sheets



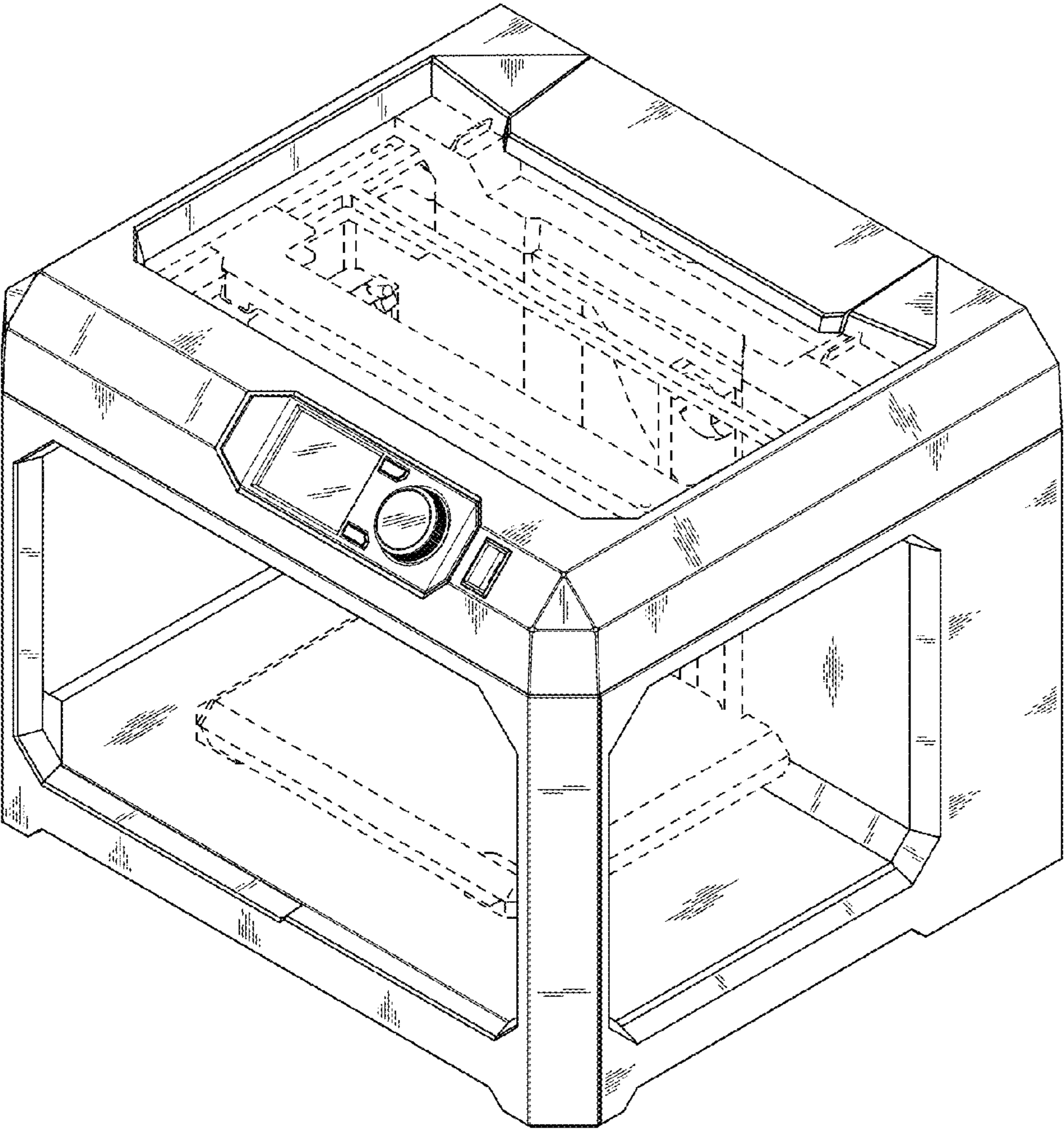


FIG. 1

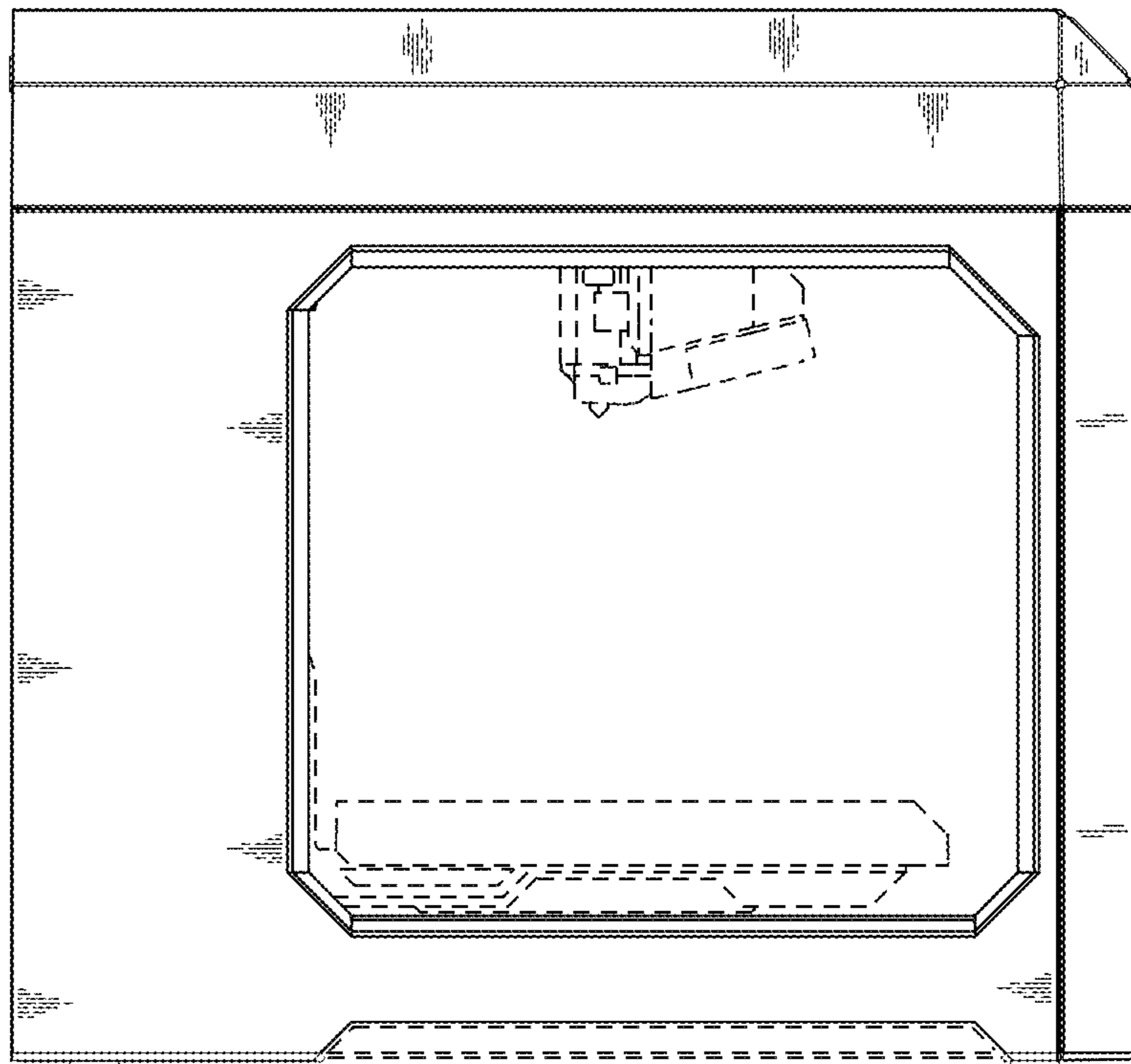


FIG. 2

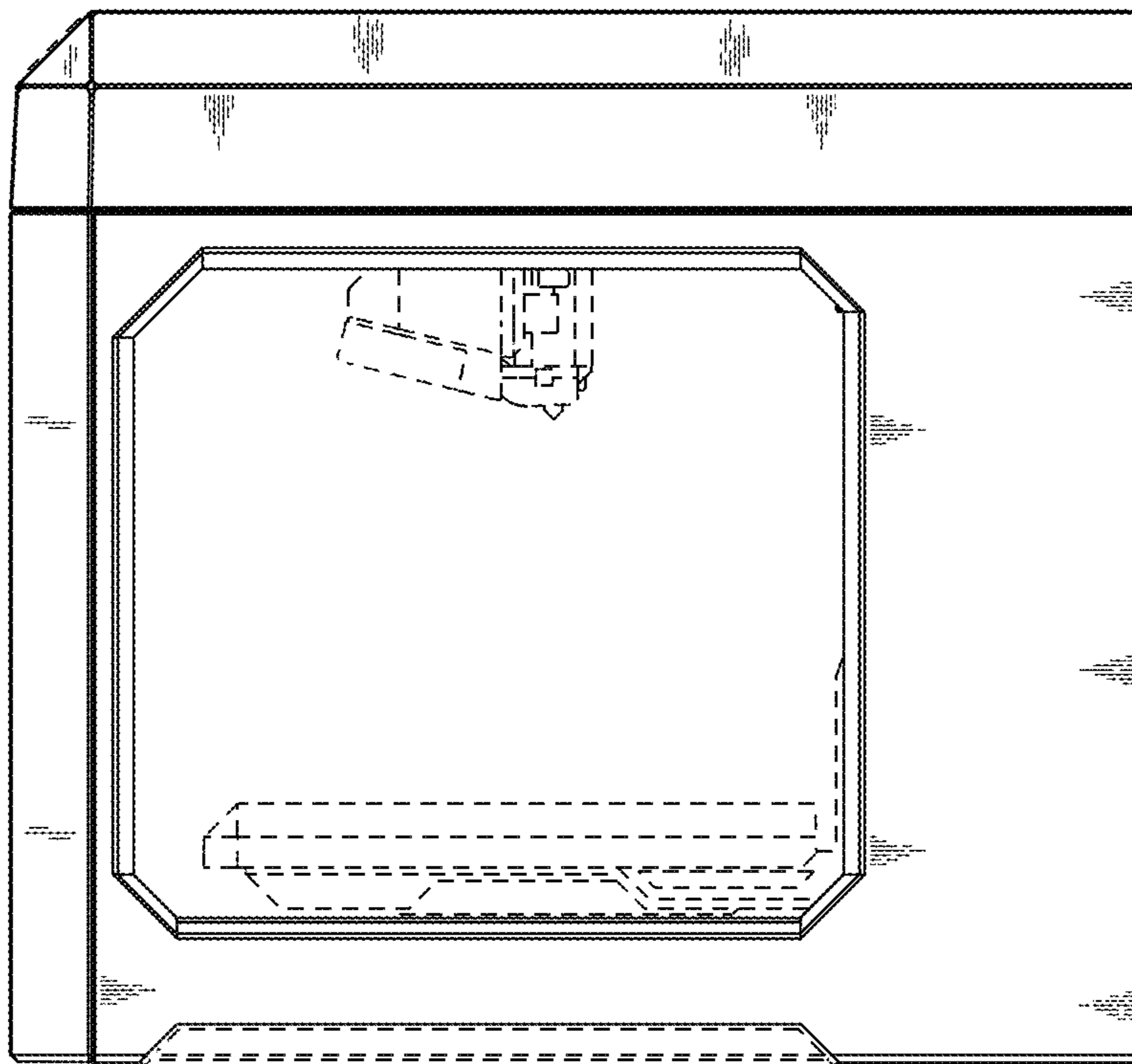


FIG. 3

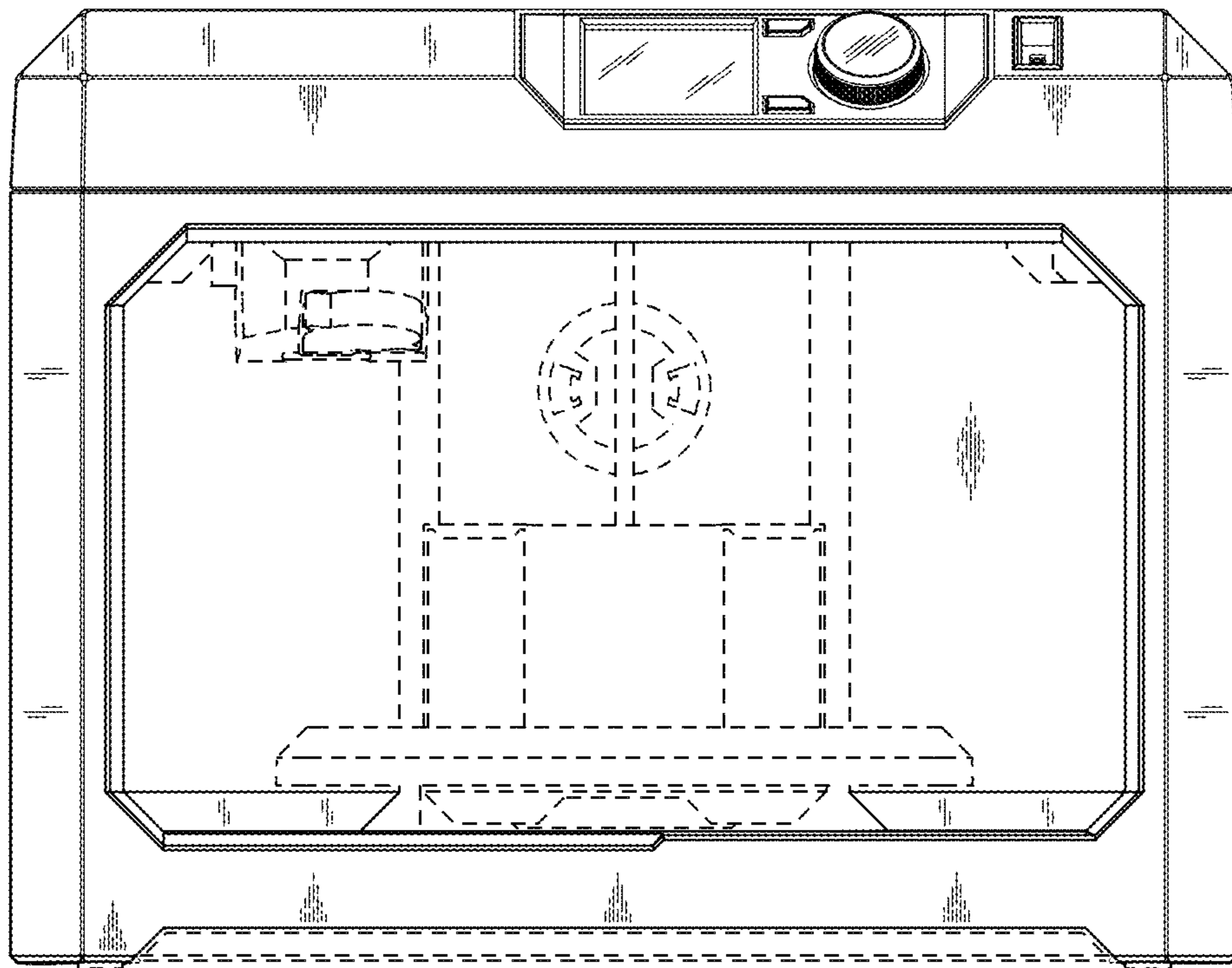


FIG. 4

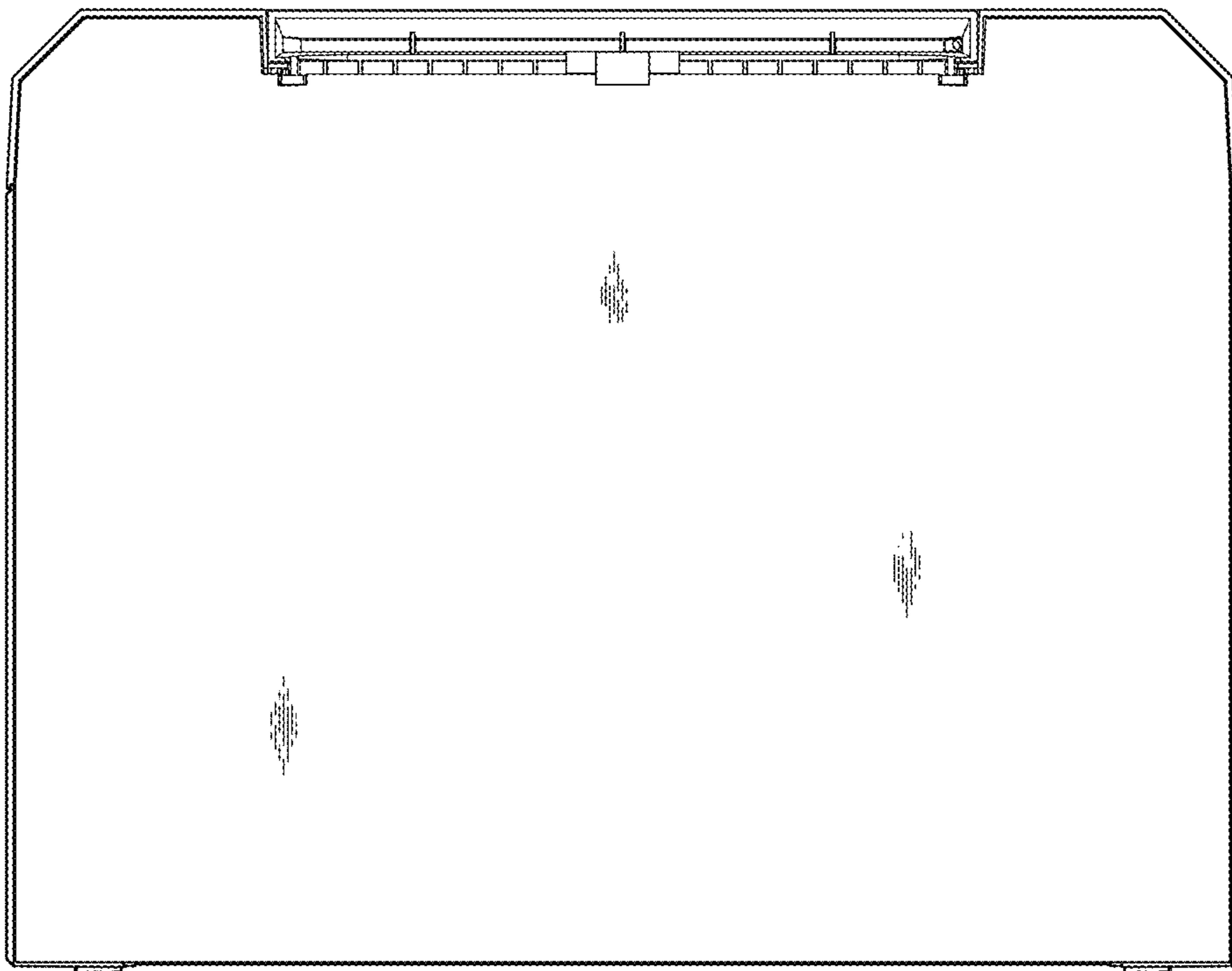


FIG. 5

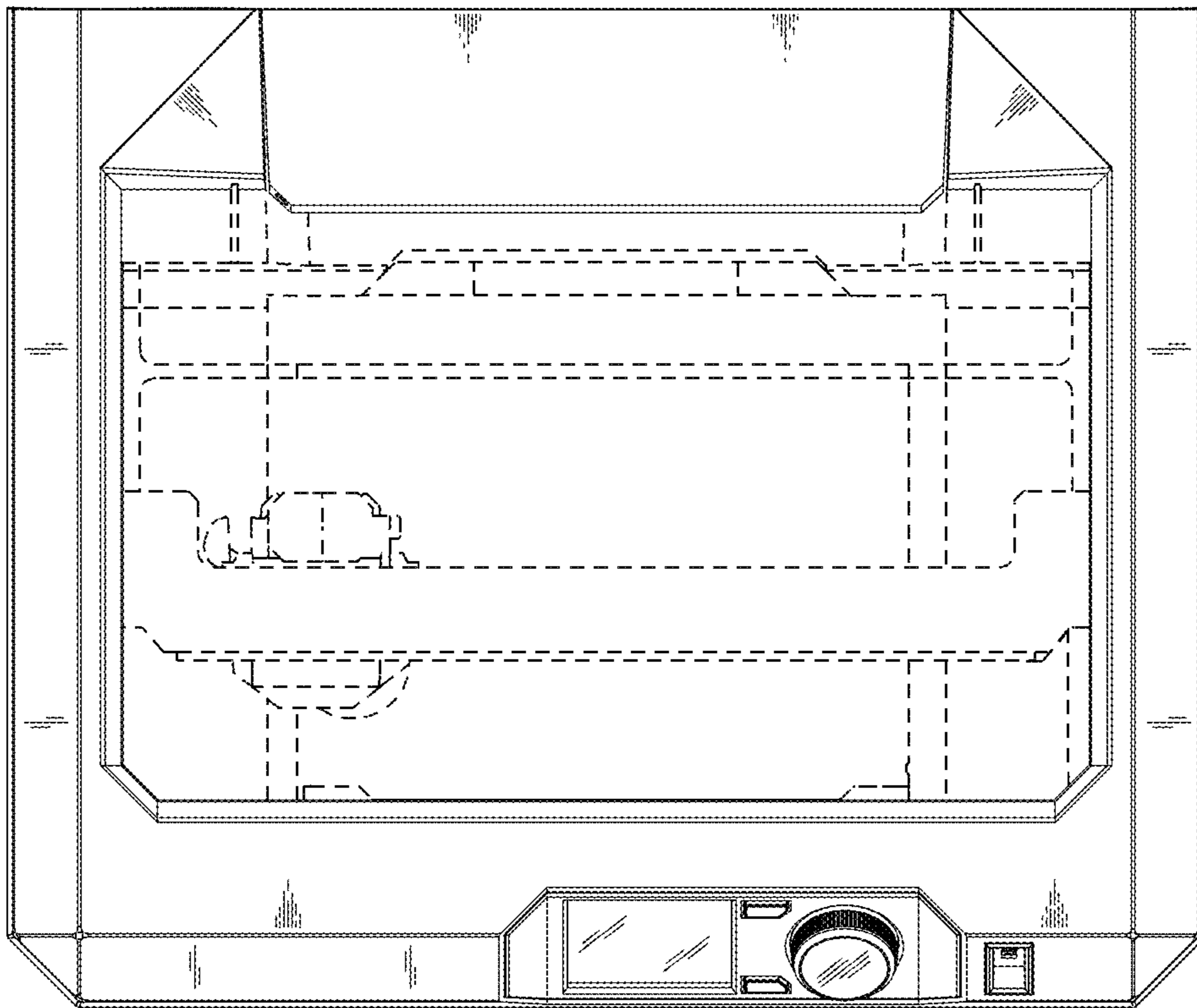


FIG. 6

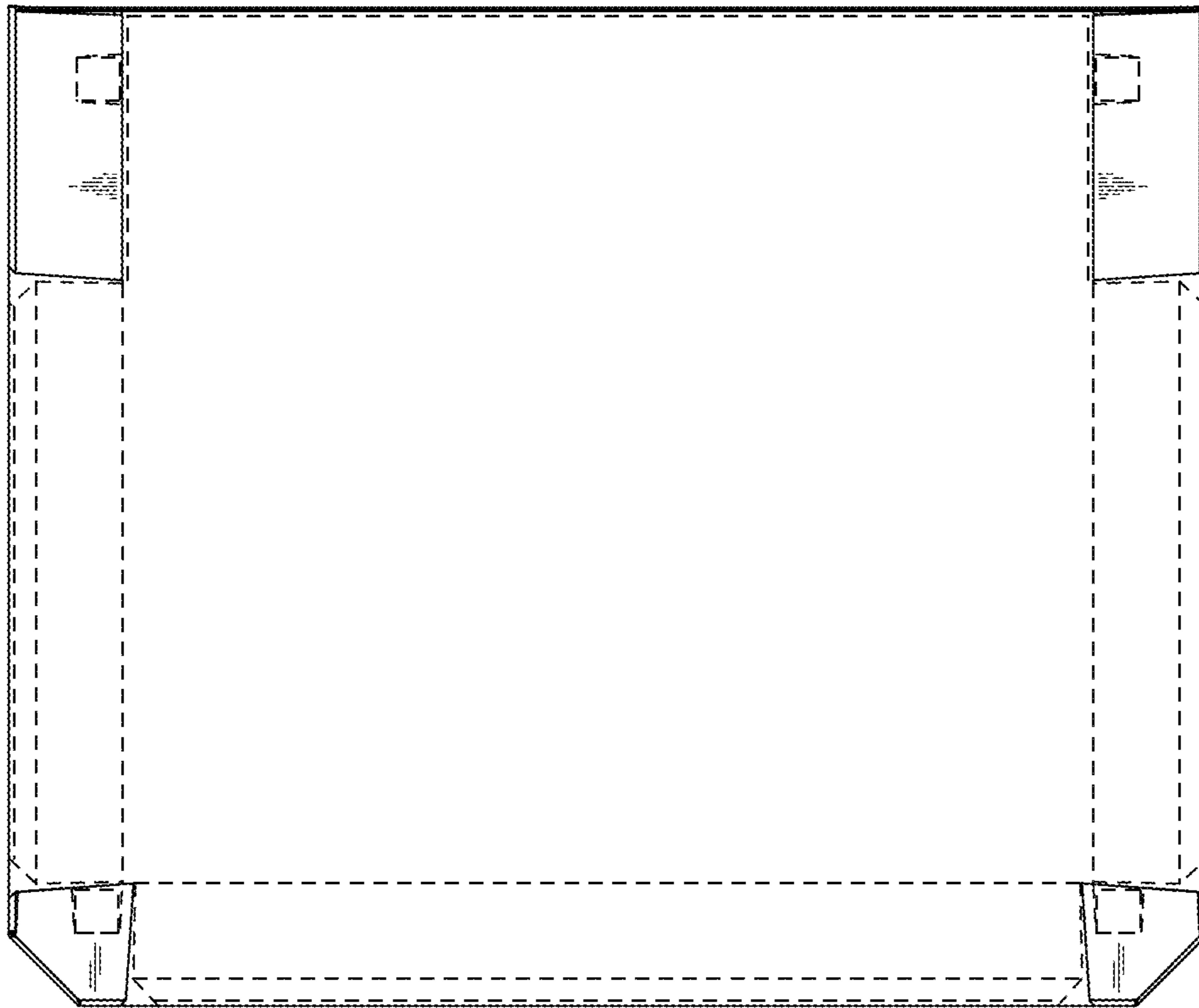


FIG. 7