



US00D746879S

(12) **United States Design Patent**
Stolarz et al.

(10) **Patent No.:** **US D746,879 S**
(45) **Date of Patent:** **** Jan. 5, 2016**

- (54) **COOLER**
- (71) Applicant: **PepsiCo, Inc.**, Purchase, NY (US)
- (72) Inventors: **Christian Stolarz**, Brooklyn, NY (US);
Martin Eduardo Broen, New York, NY (US)
- (73) Assignee: **PepsiCo, Inc.**, Purchase, NY (US)
- (**) Term: **14 Years**
- (21) Appl. No.: **29/498,313**
- (22) Filed: **Aug. 1, 2014**
- (51) **LOC (10) Cl.** **15-07**
- (52) **U.S. Cl.**
USPC **D15/81**

- (58) **Field of Classification Search**
USPC D15/79-91
CPC F25D 23/028; F25D 23/02; F25D 25/025;
F25D 23/00; F25D 2323/021; F25D 11/00;
F25D 2323/024; F25D 23/04; F25D 29/00;
F25D 25/02; F25D 25/024; F25D 27/005;
F25D 23/12; F25D 29/005; F25D 17/042;
F25D 2325/021

See application file for complete search history.

(56) **References Cited**

U.S. PATENT DOCUMENTS

D244,019 S	4/1977	Brown	
D271,107 S	10/1983	Trulaske	
D363,398 S	10/1995	Branz et al.	
5,803,560 A	9/1998	Trulaske, Sr. et al.	
D421,534 S	3/2000	Trulaske, Sr. et al.	
D449,844 S	10/2001	Kim	
D481,224 S	10/2003	Draper	
D481,740 S	11/2003	Li et al.	
D513,014 S	12/2005	Seki	
D518,836 S	4/2006	Reese et al.	
D519,528 S *	4/2006	Reese	D15/89

D520,030 S *	5/2006	Reese et al.	D15/89
D520,532 S	5/2006	Reese et al.	
D520,533 S	5/2006	Reese et al.	

(Continued)

FOREIGN PATENT DOCUMENTS

EM	002003491-0002	8/2012
EM	001338743-0004	11/2012

(Continued)

OTHER PUBLICATIONS

U.S. Appl. No. 29/481,899, filed Feb. 11, 2014, by inventors Martin Eduardo Broen and Christian Stolarz.

Primary Examiner — Daniel Bui

Assistant Examiner — Khawaja Anwar

(74) *Attorney, Agent, or Firm* — Sterne, Kessler, Goldstein & Fox P.L.L.C.

(57) **CLAIM**

The ornamental design for a cooler, as shown and described.

DESCRIPTION

FIG. 1 is a bottom, front, left perspective view of a cooler showing our new design;

FIG. 2 is a front view thereof;

FIG. 3 is a right side view thereof;

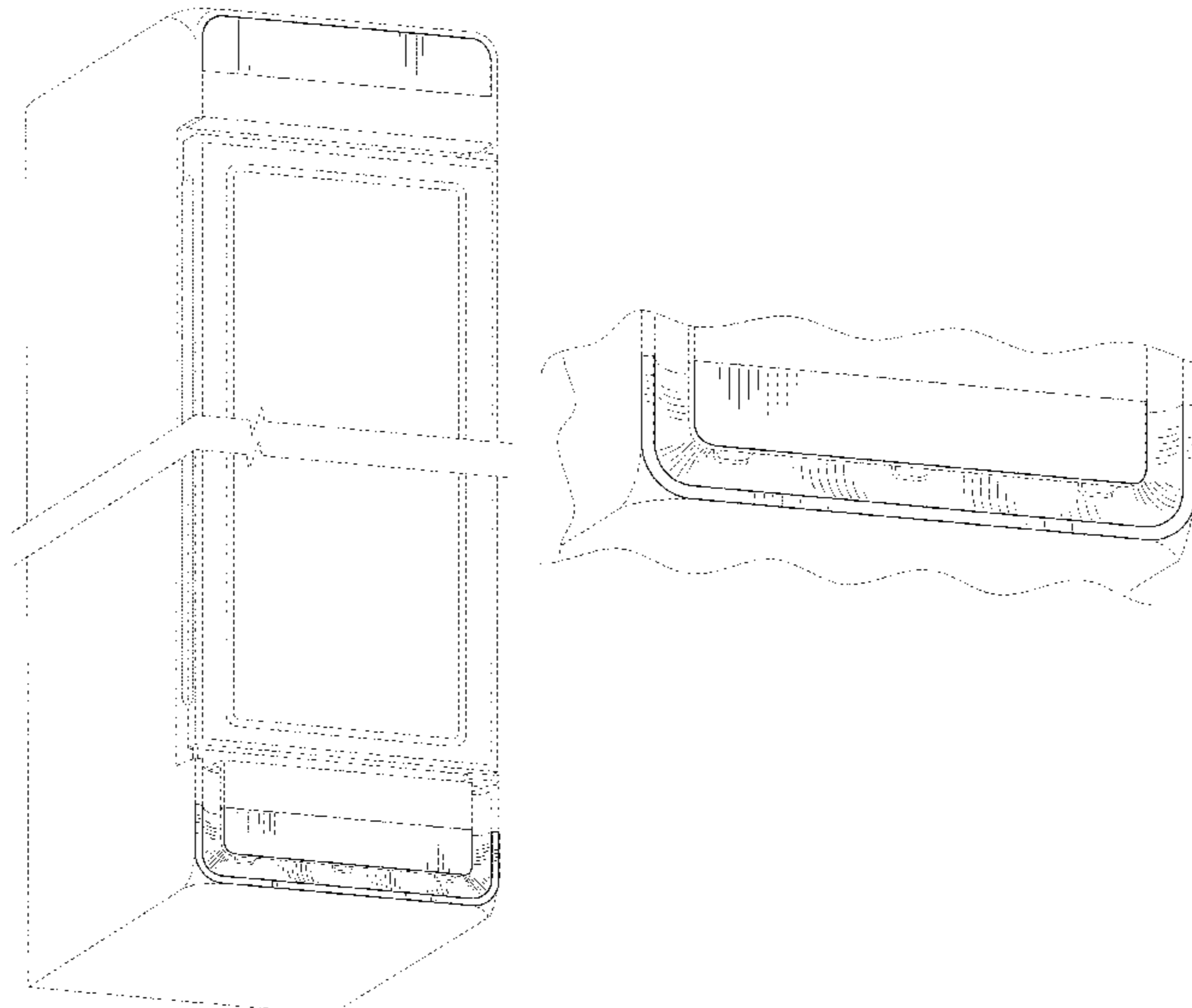
FIG. 4 is a left side view thereof;

FIG. 5 is a rear view thereof; and,

FIG. 6 is an enlarged perspective view of the claimed portion, taken from FIG. 1.

In the drawing views, the even-broken line represents unclaimed environment of the remainder of the cooler, and form no part of the claimed design. The broken lines that separate the two parts of the cooler and the portion within these broken lines represent indeterminate length and form no part of the claimed design. The dot-dash broken lines represent unclaimed boundaries of the claimed design. The wavy broken lines in FIG. 6 show an enlarged view of the claimed portion in FIG. 1, and form no part of the claimed design.

1 Claim, 4 Drawing Sheets



(56)

References Cited

2011/0301749 A1 12/2011 Hammonds et al.

U.S. PATENT DOCUMENTS

FOREIGN PATENT DOCUMENTS

D541,315 S 4/2007 Trulaske, Sr.
D671,574 S * 11/2012 Jafa et al. D15/91
D671,575 S * 11/2012 Jafa et al. D15/91
D671,576 S * 11/2012 Jafa et al. D15/91
2010/0018233 A1 1/2010 Jafa et al.

JP 1413655 5/2011
TR 2013 05287 10/2013

* cited by examiner

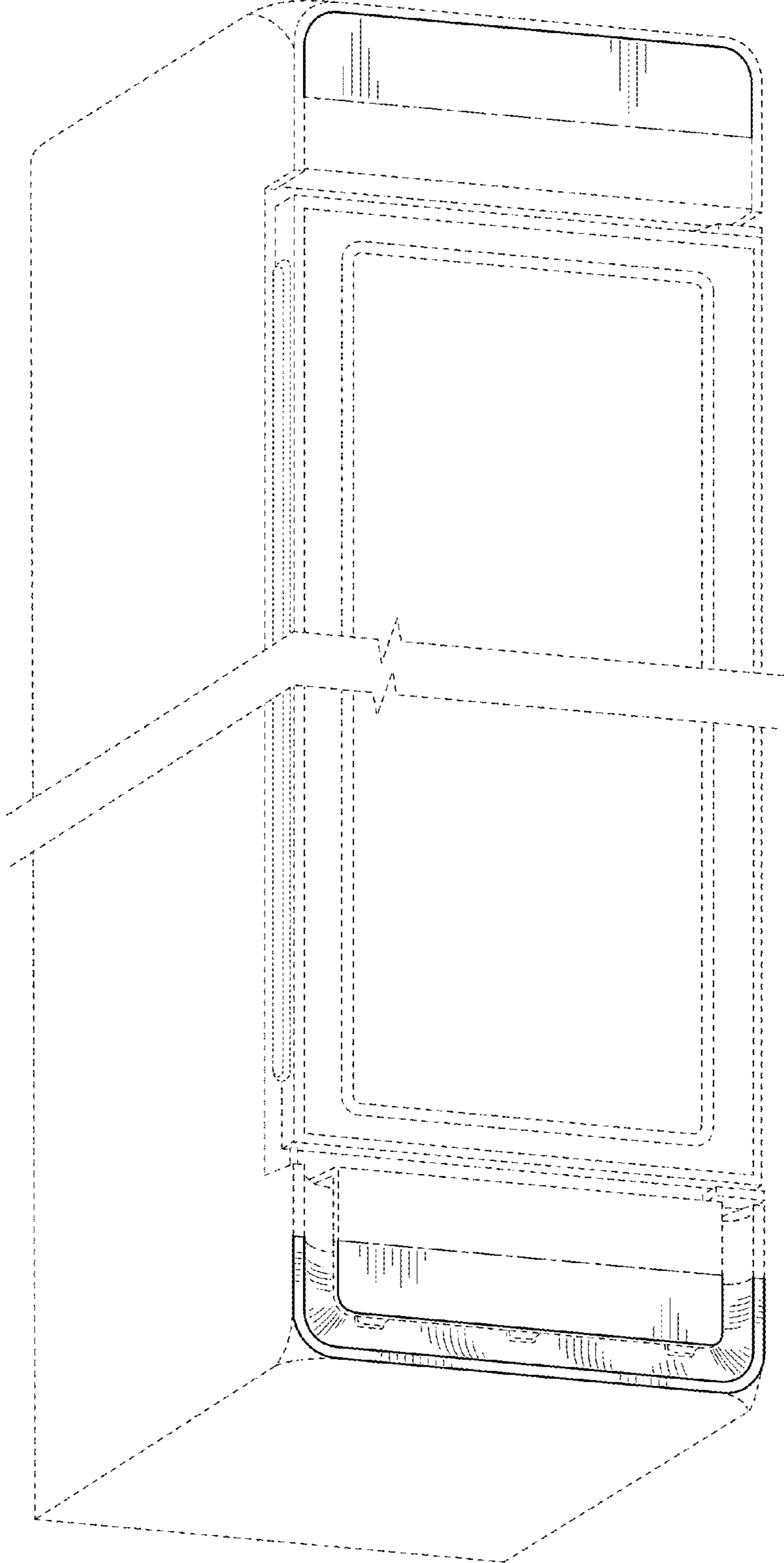


FIG. 1

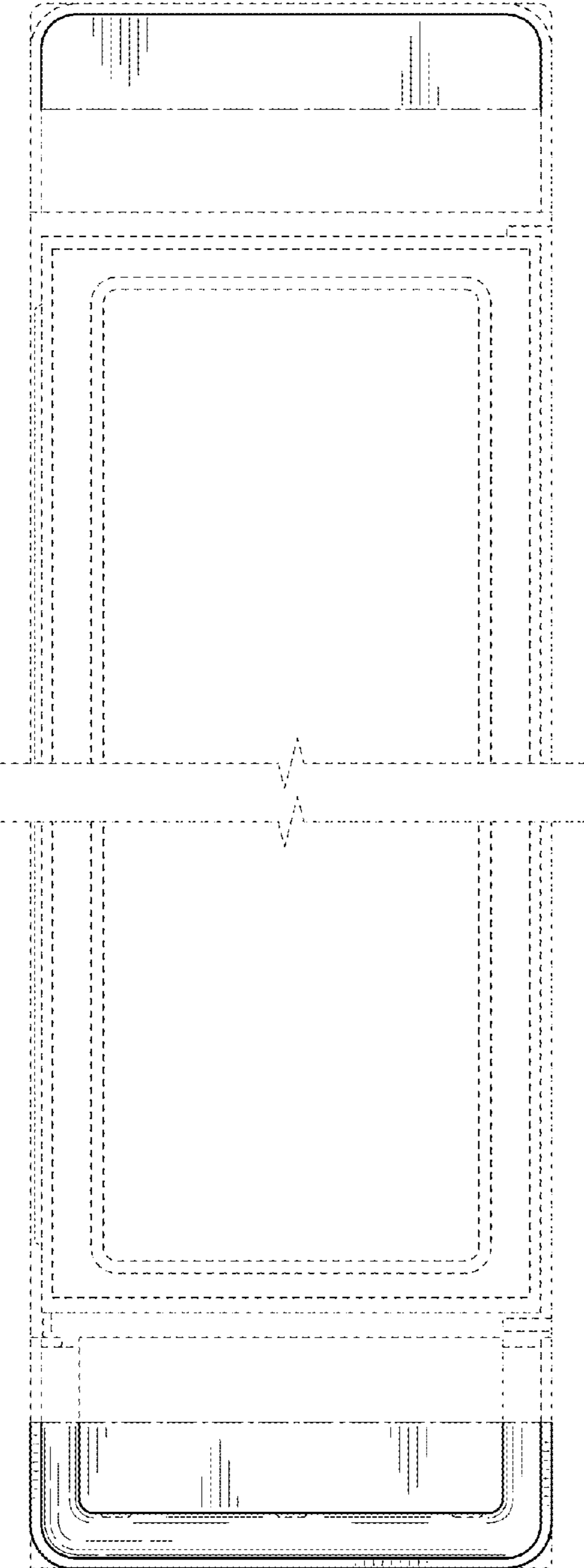


FIG. 2

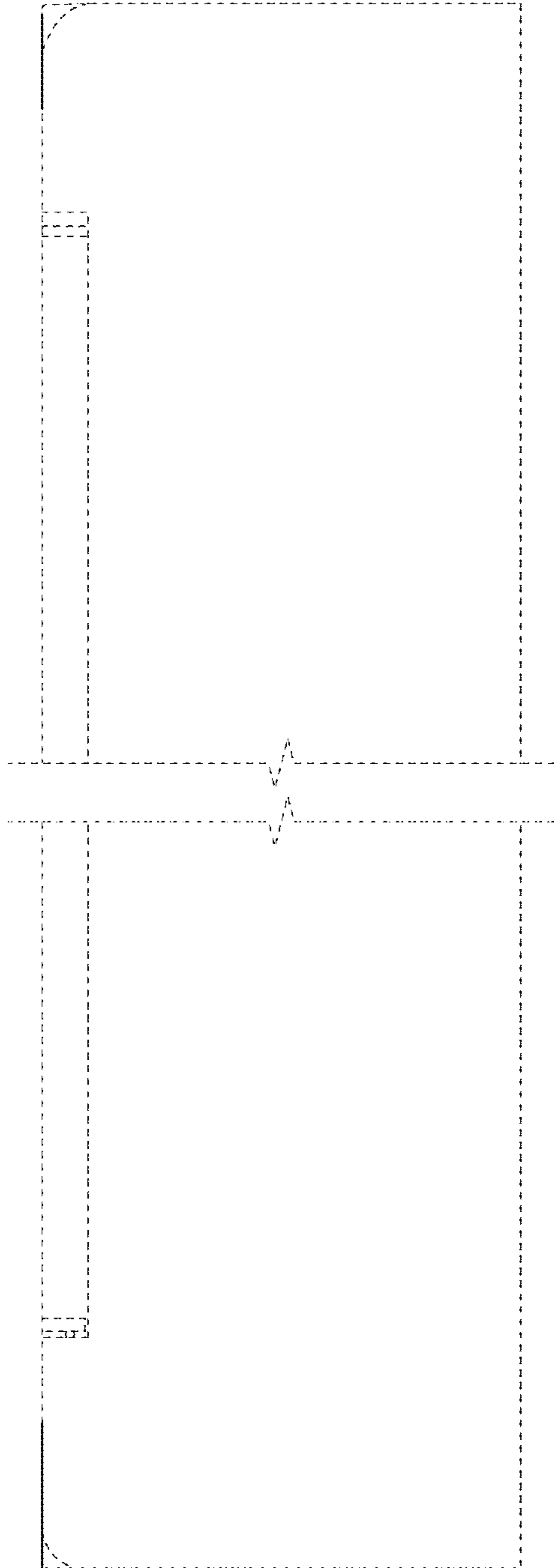


FIG. 3

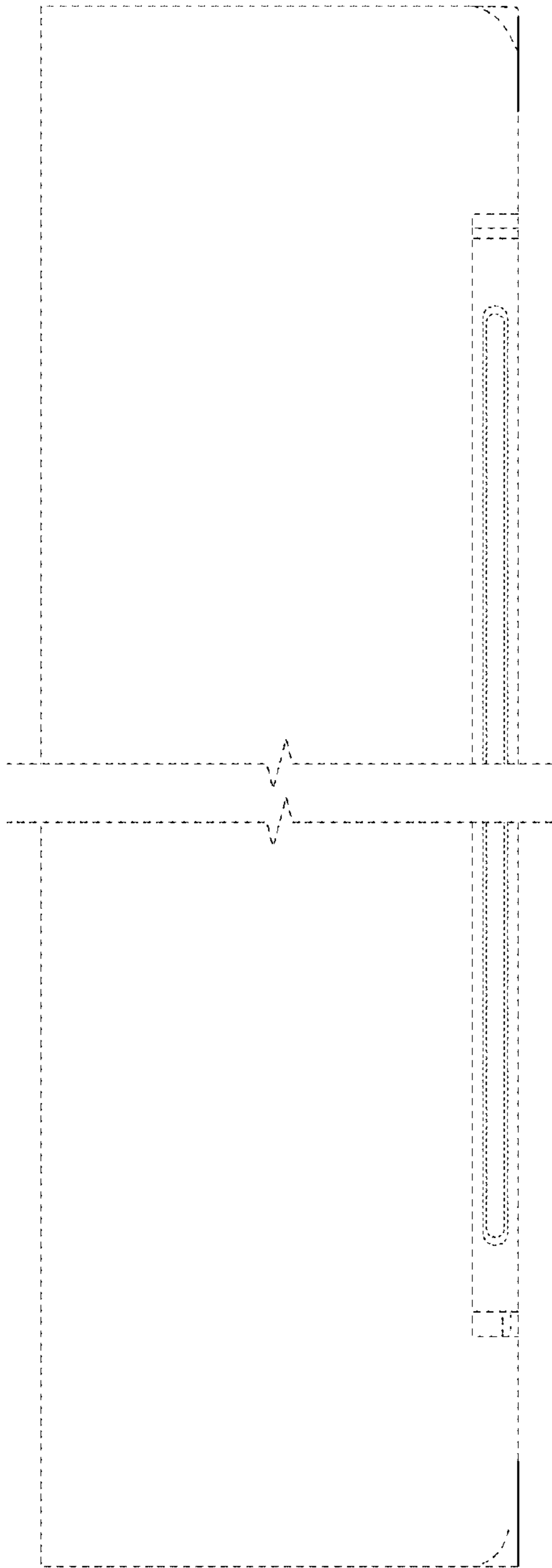


FIG. 4

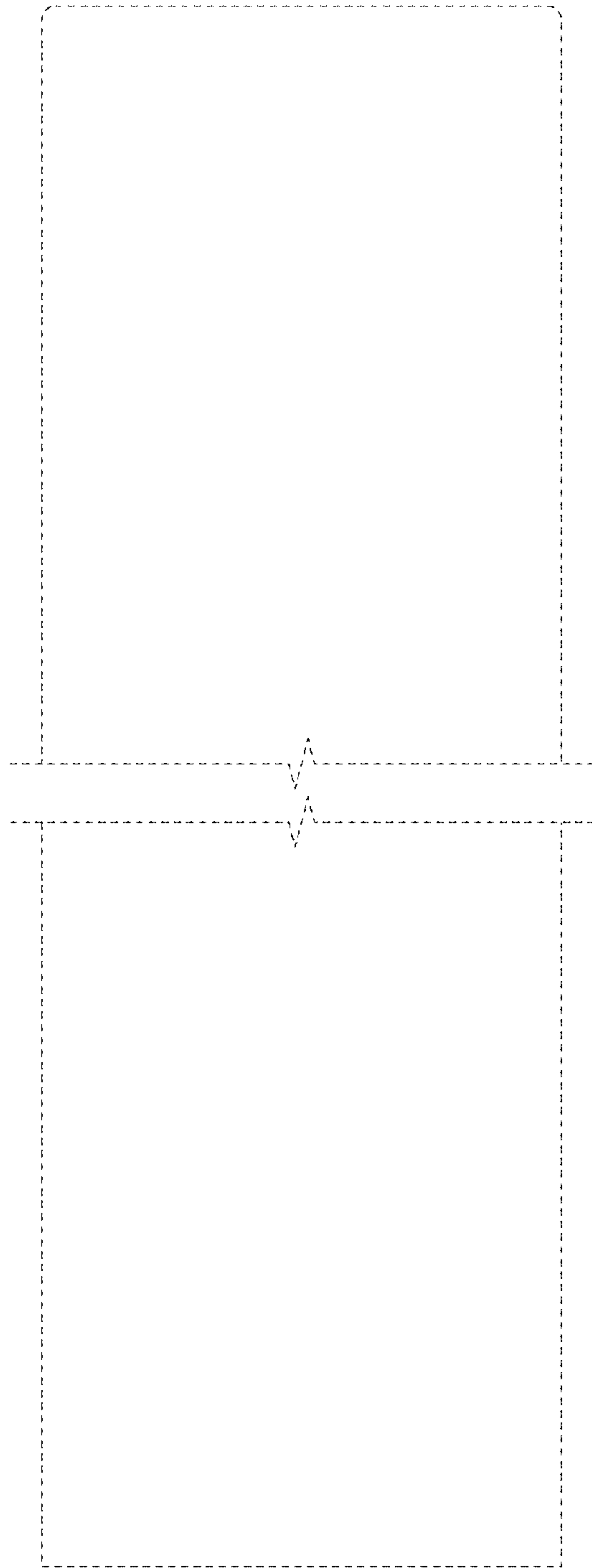


FIG. 5

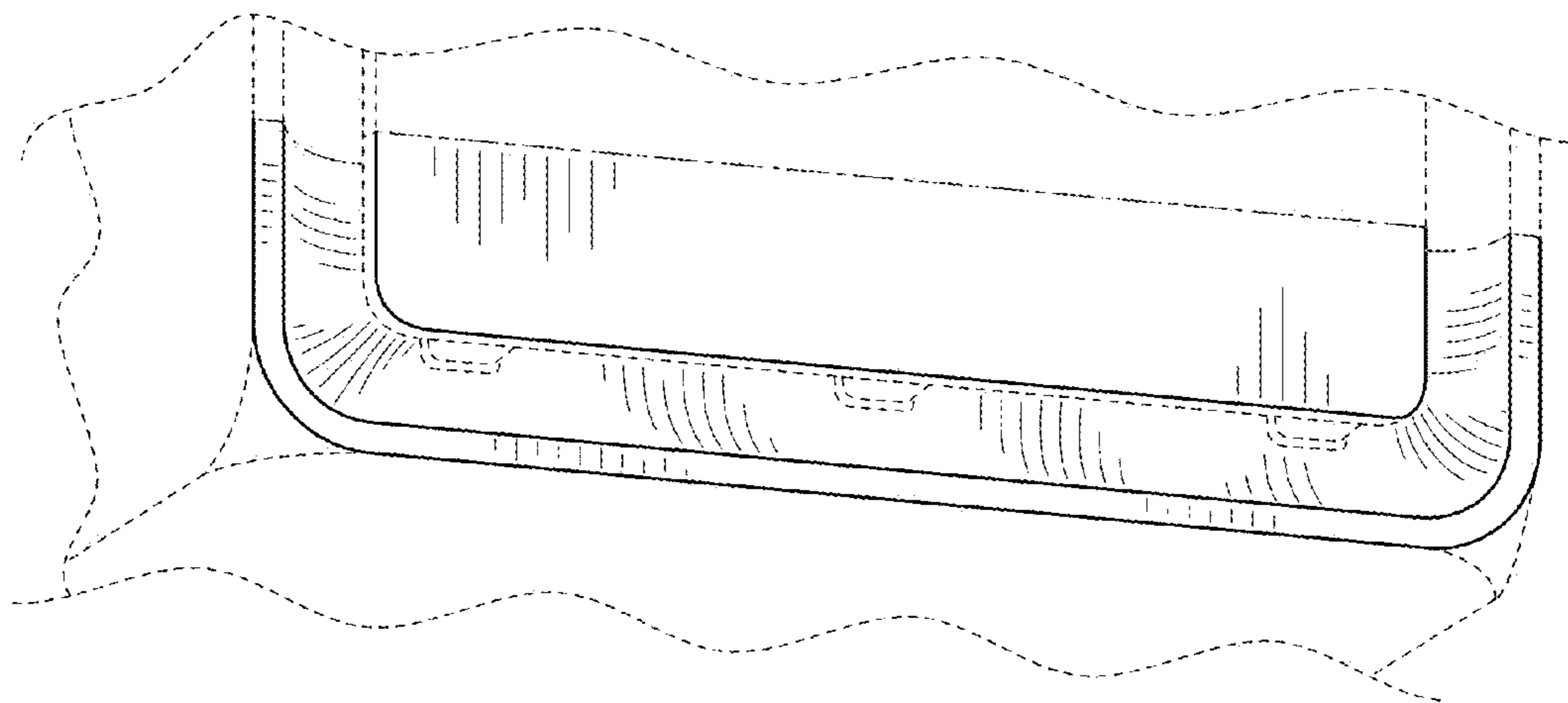


FIG. 6