



US00D746878S

(12) **United States Design Patent**
Flahive et al.

(10) **Patent No.:** **US D746,878 S**
(45) **Date of Patent:** **** Jan. 5, 2016**

(54) **MOUNTING BLOCK FOR REDUCING ELEMENTS**

4,944,560 A * 7/1990 Osterwise 299/106
5,005,622 A * 4/1991 Beach et al. 144/241
5,011,229 A * 4/1991 O'Neill et al. 299/102

(71) Applicant: **Vermeer Manufacturing Company,**
Pella, IA (US)

(Continued)

(72) Inventors: **Jeff Flahive,** Pella, IA (US); **Edward Lee Cutler,** Bloomfield, IA (US)

FOREIGN PATENT DOCUMENTS

DE 102005010678 A1 9/2006
DE 102103103637 A1 10/2013

(73) Assignee: **Vermeer Manufacturing Company,**
Pella, IA (US)

(Continued)

(**) Term: **14 Years**

OTHER PUBLICATIONS

(21) Appl. No.: **29/487,835**

thomasnet.com, Industry News, Product News: Material Handling & Storage, Machinery & Machining Tools, "Tool Holders suit multi-spindle screw machines." <http://news.thomasnet.com/fullstory/Tool-Holders-suit-multi-spindle-screw-machines-9133> [Oct. 10, 2014 1:38:44 PM].

(22) Filed: **Apr. 11, 2014**

(Continued)

(51) **LOC (10) CI.** **15-03**

(52) **U.S. CI.**
USPC **D15/28**

(58) **Field of Classification Search**
USPC D15/28; 144/24.12, 230; 299/85.2, 102, 299/87.1; 403/84
CPC A01G 23/067; Y10T 407/1932; Y10T 407/1934; Y10T 403/32262; E21C 35/18; E21C 35/19; E21C 35/193; E21C 35/00; E21C 35/1933; E21C 2035/1826; E21C 2035/191

Primary Examiner — Mark Goodwin

(74) *Attorney, Agent, or Firm* — Merchant & Gould P.C.

See application file for complete search history.

(57) **CLAIM**

The ornamental design for mounting block for reducing elements, as shown and described.

(56) **References Cited**

DESCRIPTION

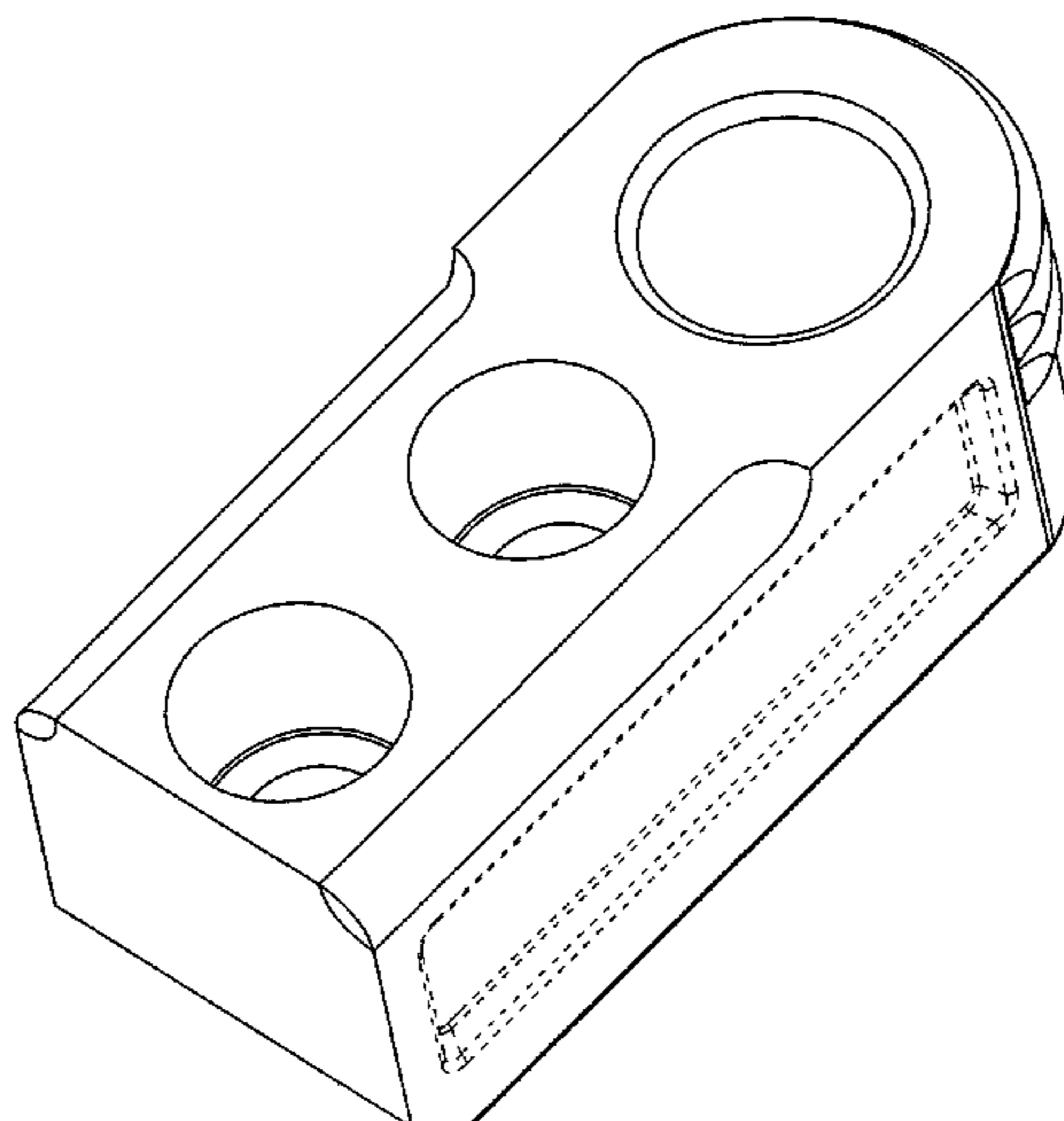
U.S. PATENT DOCUMENTS

2,613,069 A 10/1952 Bruestle
4,057,294 A * 11/1977 Krekeler 299/102
4,240,669 A 12/1980 Rollins
4,275,929 A 6/1981 Krekeler
4,302,055 A 11/1981 Persson
4,343,516 A * 8/1982 Aden 299/106
4,349,232 A 9/1982 Braun et al.
4,609,227 A 9/1986 Wild et al.
4,693,518 A 9/1987 Sulosky et al.
4,915,455 A * 4/1990 O'Neill et al. 299/102

FIG. 1 is a front perspective view of the mounting block for reducing elements according to the applicants' design; FIG. 2 is a front view; FIG. 3 is a back view; FIG. 4 is a right side view; FIG. 5 is a left side view; FIG. 6 is a top view; and, FIG. 7 is a bottom view.

The broken lines in FIGS. 1, 4, and 5 illustrate unclaimed features of the mounting block for reducing elements that form no part of the claimed design. The ribs and surrounding upper portions of the mounting block for reducing elements shown in FIGS. 1-7 are indicative of hard facing.

1 Claim, 6 Drawing Sheets



(56)

References Cited

U.S. PATENT DOCUMENTS

5,056,243 A * 10/1991 Sprunger et al. 37/453
 5,322,351 A * 6/1994 Lent 299/102
 5,417,131 A * 5/1995 Robertson 82/158
 5,904,408 A * 5/1999 Olson et al. 299/87.1
 6,234,579 B1 5/2001 Montgomery, Jr.
 6,536,322 B1 3/2003 Butler et al.
 6,619,756 B1 9/2003 Holl et al.
 6,779,850 B1 8/2004 Schibeci et al.
 6,854,810 B2 * 2/2005 Montgomery, Jr. 299/106
 7,086,704 B2 8/2006 Holl et al.
 7,108,212 B2 * 9/2006 Latham 241/294
 7,108,452 B2 9/2006 Caron et al.
 7,192,095 B2 * 3/2007 Sansone et al. 299/106
 7,338,134 B2 * 3/2008 Latham 299/87.1
 7,367,367 B2 5/2008 Bennington
 7,547,075 B2 6/2009 Tewes et al.
 7,694,443 B2 * 4/2010 Gabela et al. 37/455
 D638,453 S * 5/2011 Buhr et al. D15/140
 7,950,745 B2 5/2011 Sollami
 7,971,375 B2 * 7/2011 Gabela et al. 37/455
 D657,648 S 4/2012 Wachsmann
 D669,505 S 10/2012 Buhr et al.
 D681,069 S * 4/2013 Fundakowski et al. D15/28
 8,424,974 B2 * 4/2013 Latham 299/103
 8,540,033 B2 9/2013 Stanley et al.
 2008/0093912 A1 4/2008 Willoughby
 2011/0148178 A1 * 6/2011 Lehnert et al. 299/105
 2011/0148179 A1 * 6/2011 Lehnert et al. 299/105
 2011/0266860 A1 11/2011 Carlton

2012/0175939 A1 7/2012 O'Neill
 2013/0279994 A1 10/2013 Morrison et al.
 2013/0307316 A1 11/2013 Roetsch et al.
 2013/0318839 A1 * 12/2013 Bierwith 37/444

FOREIGN PATENT DOCUMENTS

EP 1 067 271 A1 1/2001
 EP 1 163 424 B1 11/2003
 GB 2501581 10/2013
 WO 02/090717 A2 11/2002
 WO 2010/051593 5/2010
 WO 2012/072786 A2 6/2012
 WO 2012/072802 A2 6/2012
 WO 2012/072783 A2 7/2012

OTHER PUBLICATIONS

thomasnet.com, Industry News, "Product News: Material Handling & Storage, Drilling Holders accommodate various drills." <http://news.thomasnet.com/fullstory/Drilling-Holders-accommodate-various-drills-24549> [Oct. 10, 2014 2:22:19 PM].
 Simen, "Replaceable Blocks, T.C. Block Casing Teeth, Quick Change Bars," <http://www.simenrockbits.com/Casing%20Teeth.html>, Oct. 10, 2014.
 Simen, "Recycling Bandit & Doppstadt," <http://www.simeonrockbits.com/Bandit%20%20Doppstadt.html> [Oct. 10, 2014 2:22:42 PM].
 Simen, "Diaphragam Wall Cutter," <http://www.simenrockbits.com/Diaphragam%20wall%20cutters.html>, [Nov. 5, 2014 1:12:49 PM].

* cited by examiner

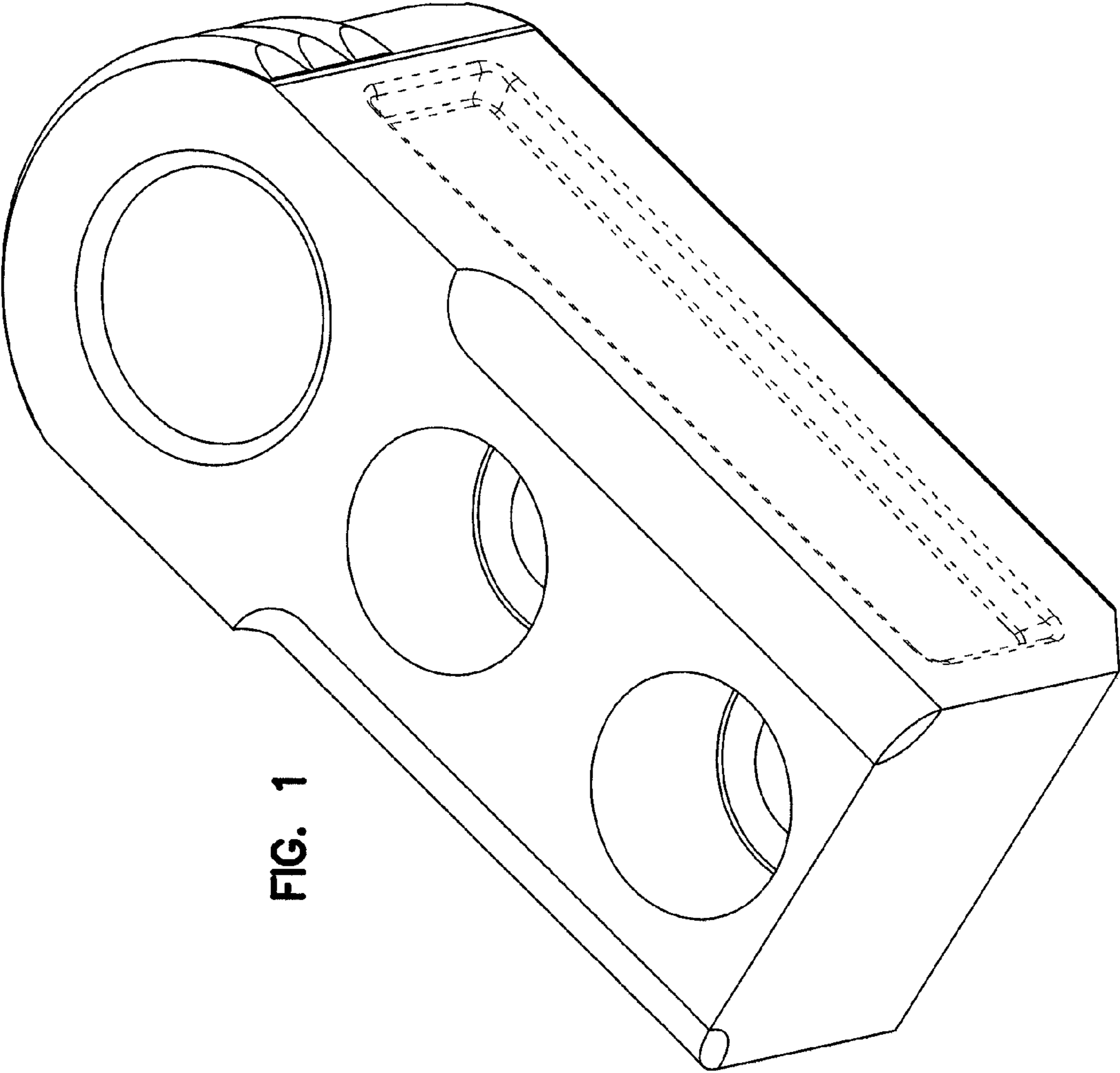


FIG. 1

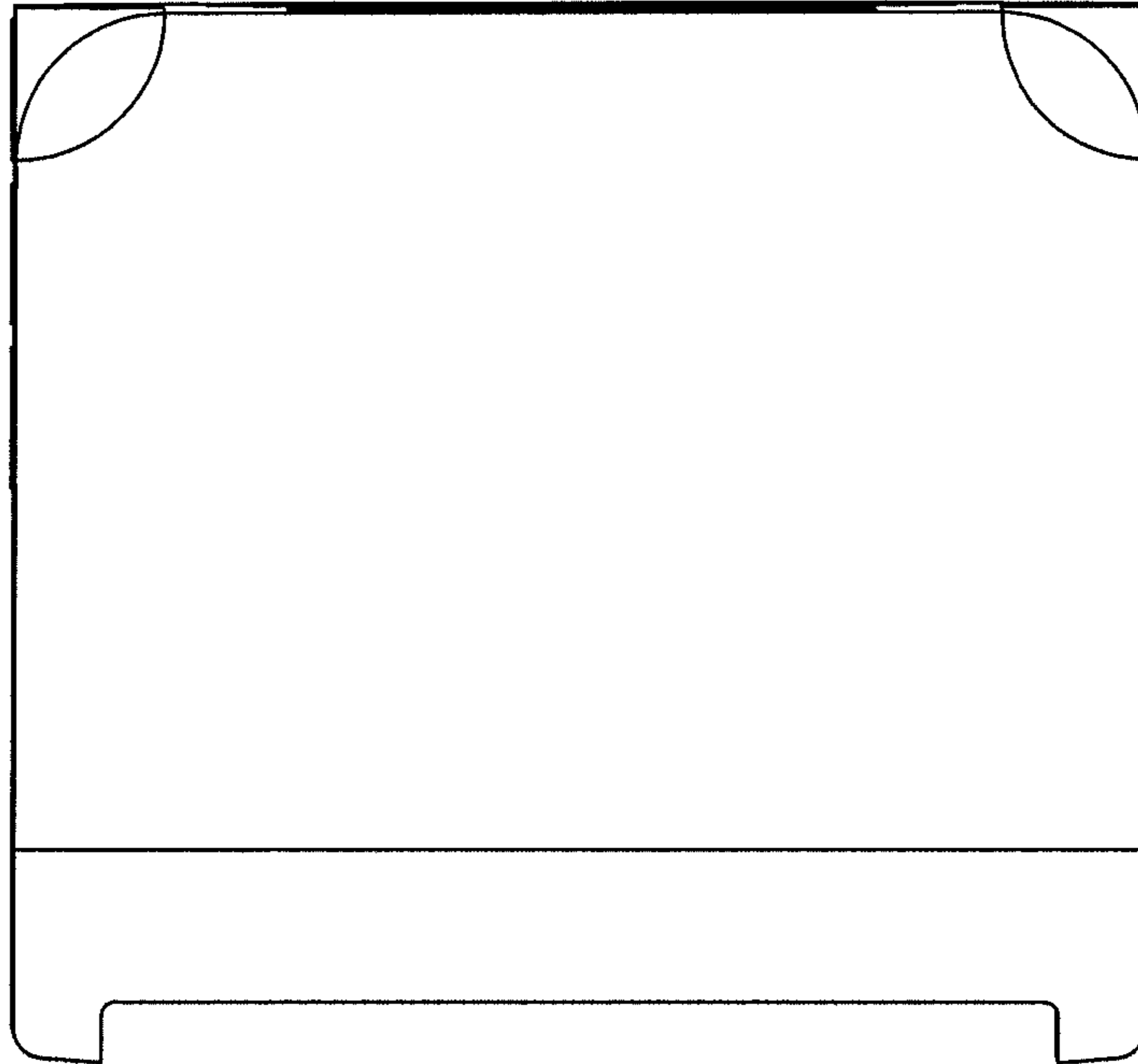


FIG. 2

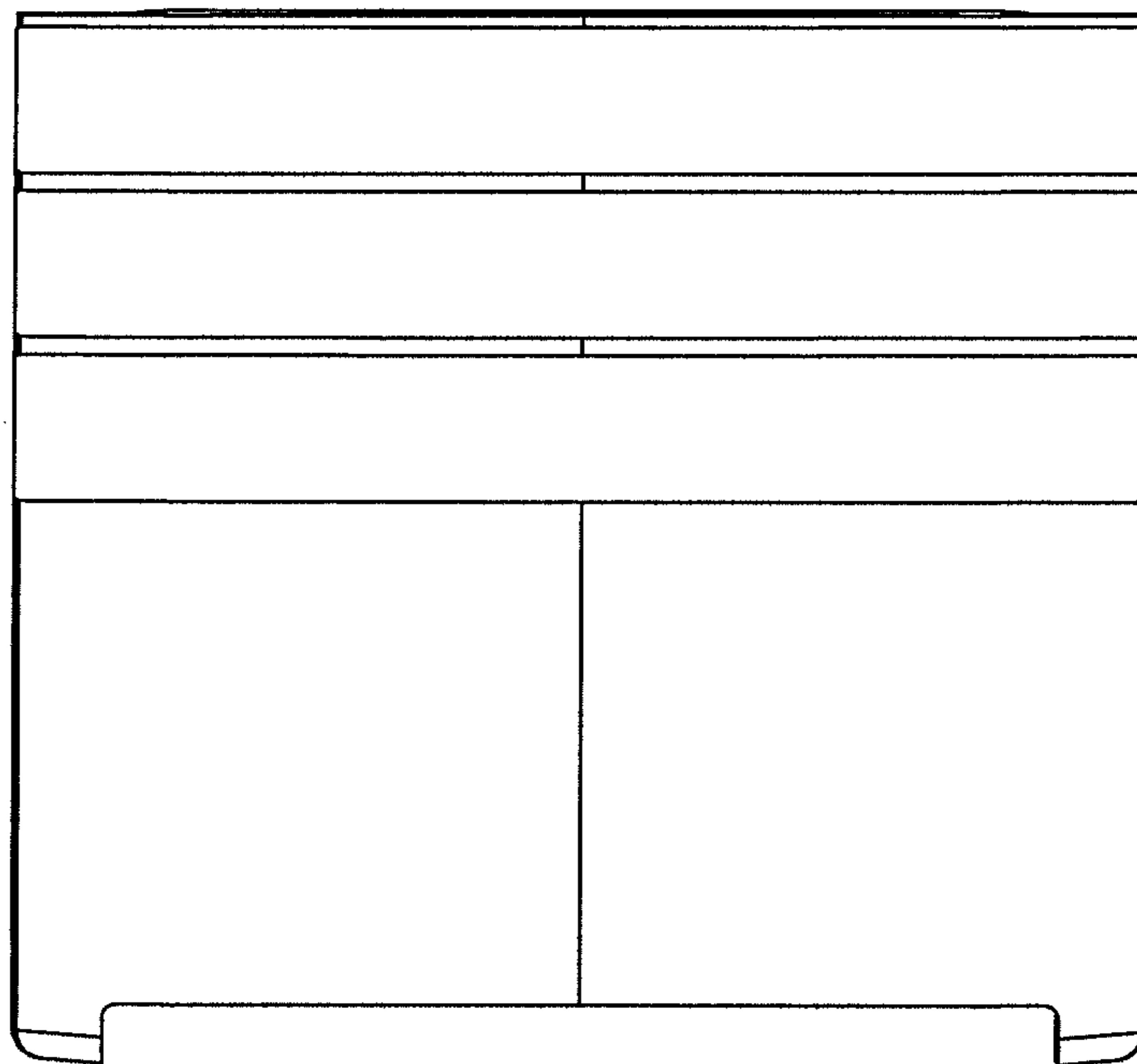


FIG. 3

FIG. 4

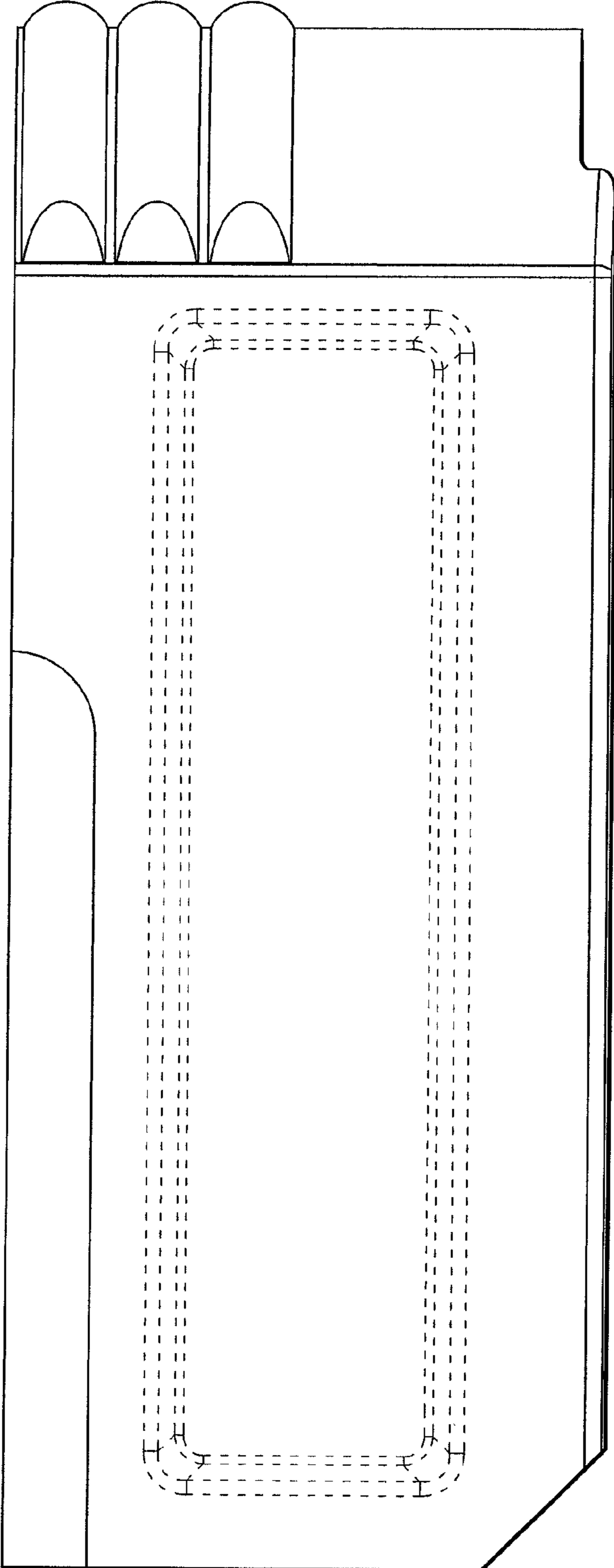


FIG. 5

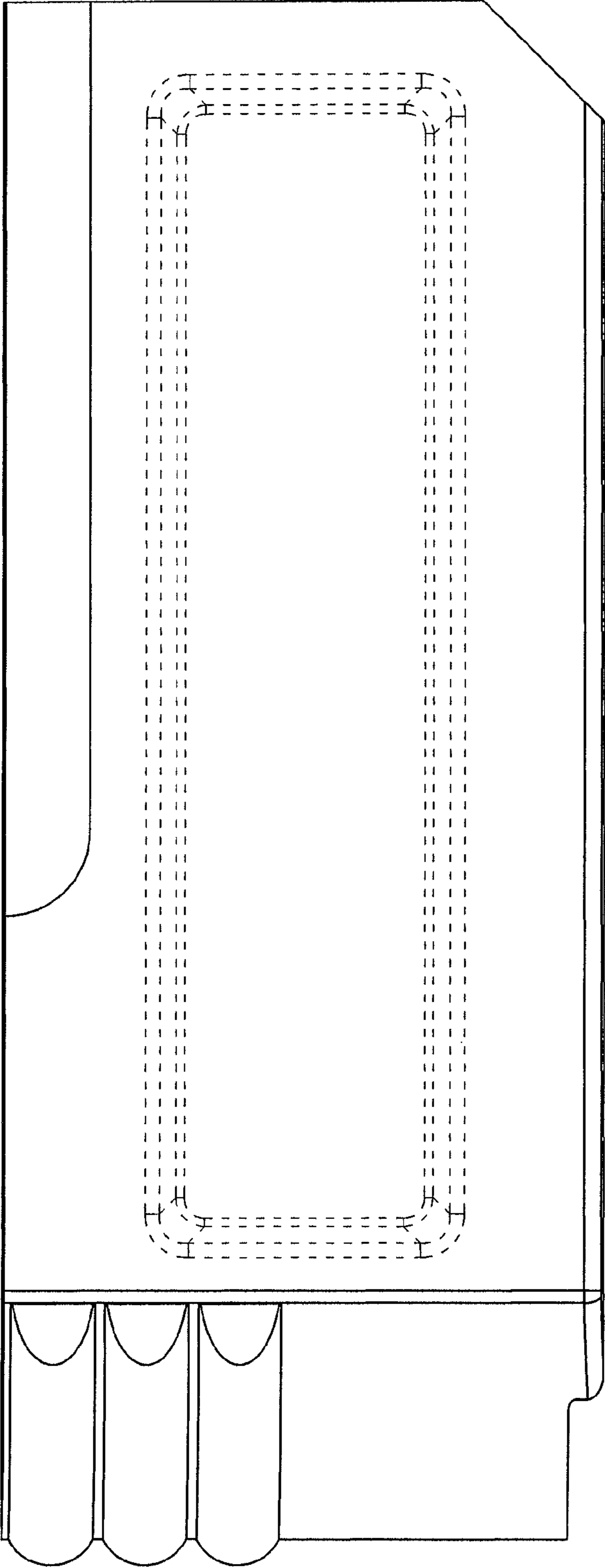


FIG. 6

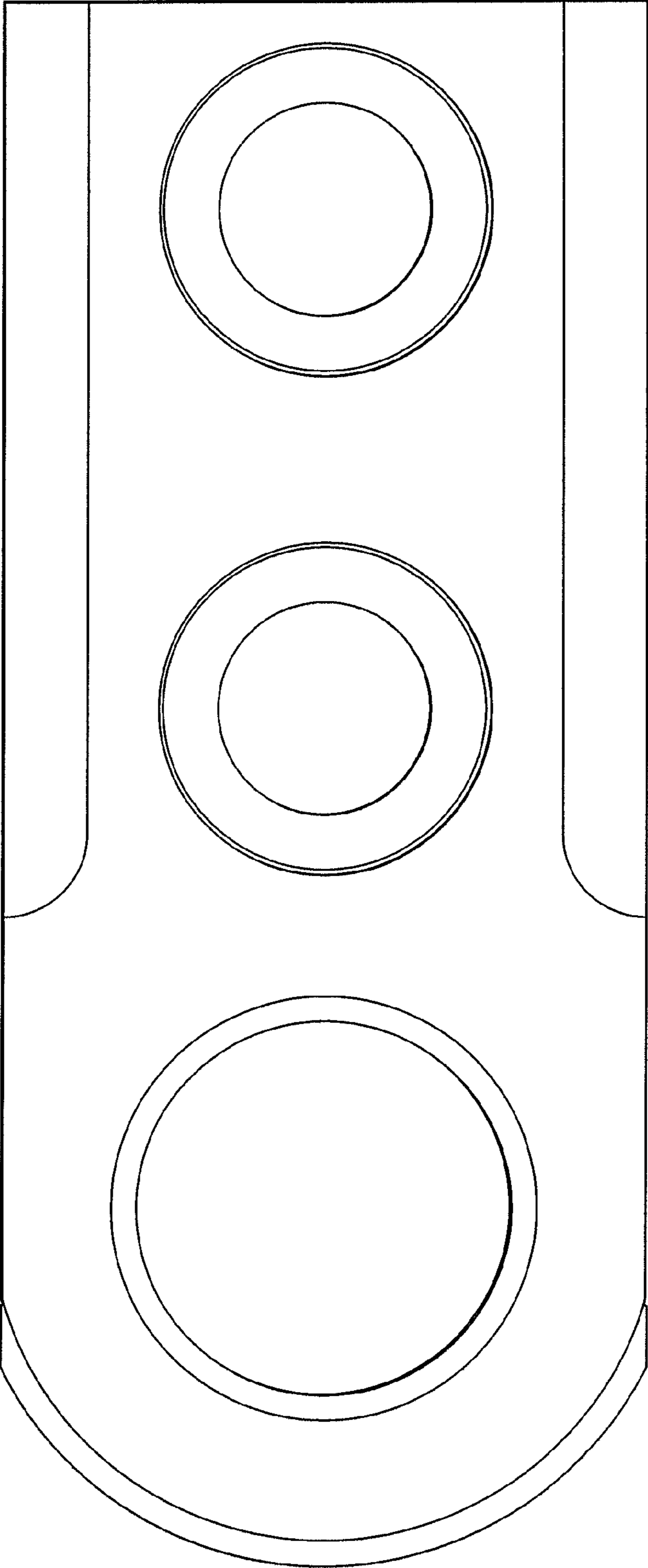


FIG. 7

