



US00D746874S

(12) **United States Design Patent**
Davis

(10) **Patent No.:** **US D746,874 S**
(45) **Date of Patent:** **** Jan. 5, 2016**

(54) **CHAMBER FOR A DIAPHRAGM PUMP**

D675,231 S * 1/2013 Headley et al. D15/7
D682,316 S * 5/2013 Rogne et al. D15/7

(71) Applicant: **Finish Thompson Inc.**, Erie, PA (US)

* cited by examiner

(72) Inventor: **Matthew A. Davis**, Erie, PA (US)

Primary Examiner — Ralf Seifert

(73) Assignee: **Finish Thompson Inc.**, Erie, PA (US)

(74) *Attorney, Agent, or Firm* — Leydig, Voit & Mayer Ltd.

(**) Term: **14 Years**

(57) **CLAIM**

The ornamental design for a chamber for a diaphragm pump, as shown and described.

(21) Appl. No.: **29/515,998**

DESCRIPTION

(22) Filed: **Jan. 28, 2015**

(51) **LOC (10) Cl.** **15-02**

(52) **U.S. Cl.**
USPC **D15/7**

(58) **Field of Classification Search**
USPC D15/7-9; D23/231, 232, 225; 417/60,
417/235, 265, 321, 355, 358, 363, 359,
417/410.1, 415-416, 405, 900; 60/408,
60/412; 184/26-37; 415/140-147;
123/495, 509; 137/565.34
CPC F02M 37/04; F02M 37/14
See application file for complete search history.

FIG. 1 is a front perspective view of a chamber for a diaphragm pump showing the claimed design;
FIG. 2 is a rear perspective view thereof;
FIG. 3 is a front view thereof;
FIG. 4 is a rear view thereof;
FIG. 5 is a right side view thereof;
FIG. 6 is a left side view thereof;
FIG. 7 is a top view thereof; and
FIG. 8 is a bottom view thereof.
FIG. 9 is a front perspective view of the chamber for the diaphragm pump shown in FIG. 1 shown in relation to a second chamber for the diaphragm pump;
FIG. 10 is a rear perspective view thereof;
FIG. 11 is a front view thereof;
FIG. 12 is a rear view thereof;
FIG. 13 is a right side view thereof;
FIG. 14 is a left side view thereof;
FIG. 15 is a top view thereof; and
FIG. 16 is a bottom view thereof.
FIG. 17 is a front perspective view of a diaphragm pump that includes a chamber for the diaphragm pump as shown in FIG. 1;
FIG. 18 is a front view thereof;
FIG. 19 is a rear view thereof;
FIG. 20 is a right side view thereof;
FIG. 21 is a left side view thereof;
FIG. 22 is a top view thereof; and
FIG. 23 is a bottom view thereof.

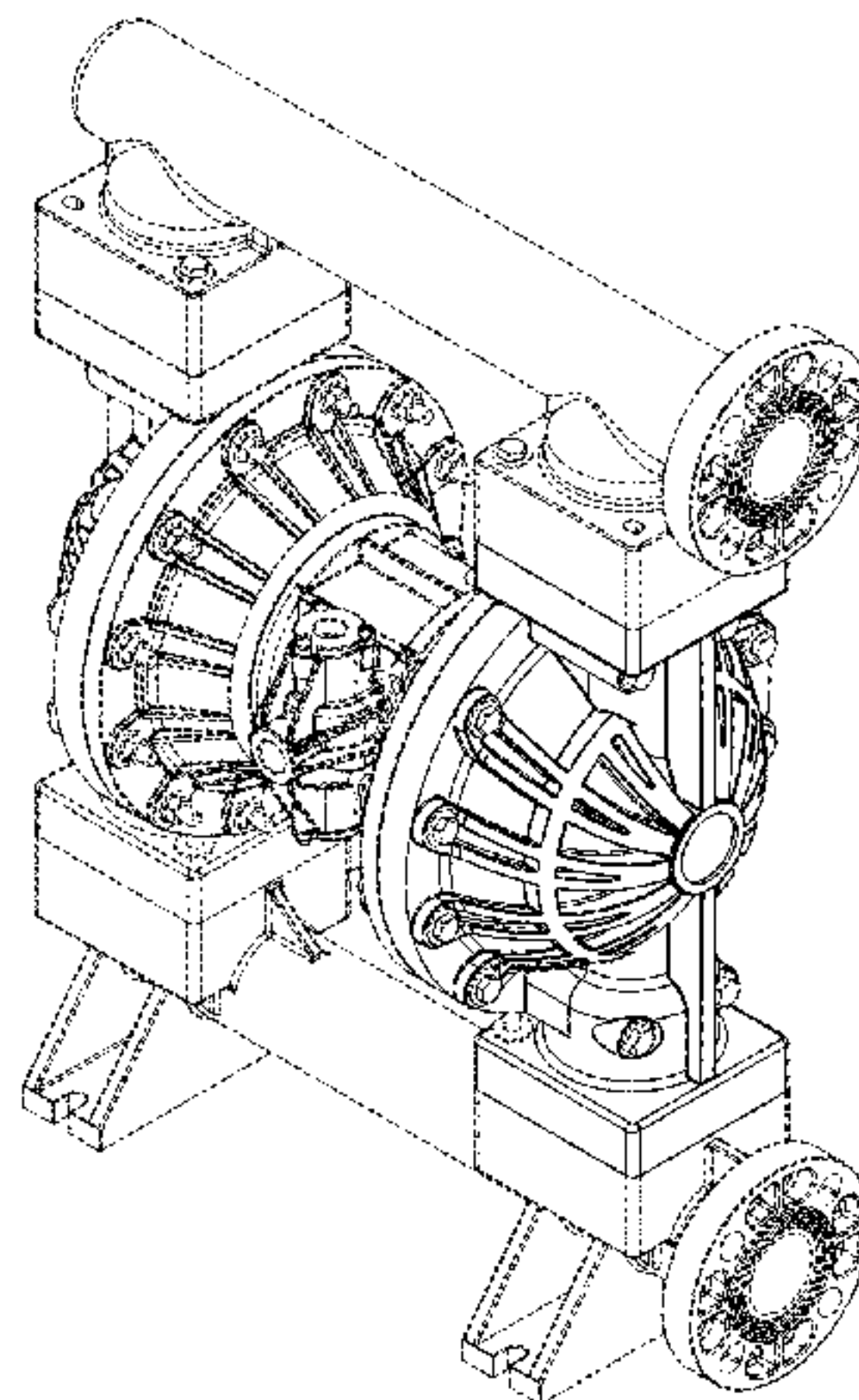
The broken line representations are for purposes of illustration only and form no part of the claimed design.

(56) **References Cited**

U.S. PATENT DOCUMENTS

| | | | | | | |
|----------|---|---|---------|------------------|-------|-------|
| D268,413 | S | * | 3/1983 | Wilden | | D15/7 |
| D275,858 | S | * | 10/1984 | Wilden | | D15/7 |
| D291,319 | S | * | 8/1987 | Hicks | | D15/7 |
| D294,946 | S | * | 3/1988 | Wilden | | D15/7 |
| D294,947 | S | * | 3/1988 | Wilden | | D15/7 |
| D370,488 | S | * | 6/1996 | Kozumplik et al. | | D15/7 |
| D380,218 | S | * | 6/1997 | McKee et al. | | D15/7 |
| D388,796 | S | * | 1/1998 | Conti et al. | | D15/7 |
| D388,797 | S | * | 1/1998 | Conti et al. | | D15/7 |
| D400,210 | S | * | 10/1998 | Reynolds et al. | | D15/7 |
| D435,855 | S | * | 1/2001 | Donelson et al. | | D15/7 |
| D484,145 | S | * | 12/2003 | Roberts et al. | | D15/7 |
| D500,325 | S | | 12/2004 | Reynolds et al. | | |
| D515,101 | S | * | 2/2006 | Wiechers et al. | | D15/7 |
| D545,326 | S | | 6/2007 | Zellers | | |
| D667,465 | S | * | 9/2012 | Headley et al. | | D15/7 |
| D674,815 | S | * | 1/2013 | Headley et al. | | D15/7 |

1 Claim, 23 Drawing Sheets



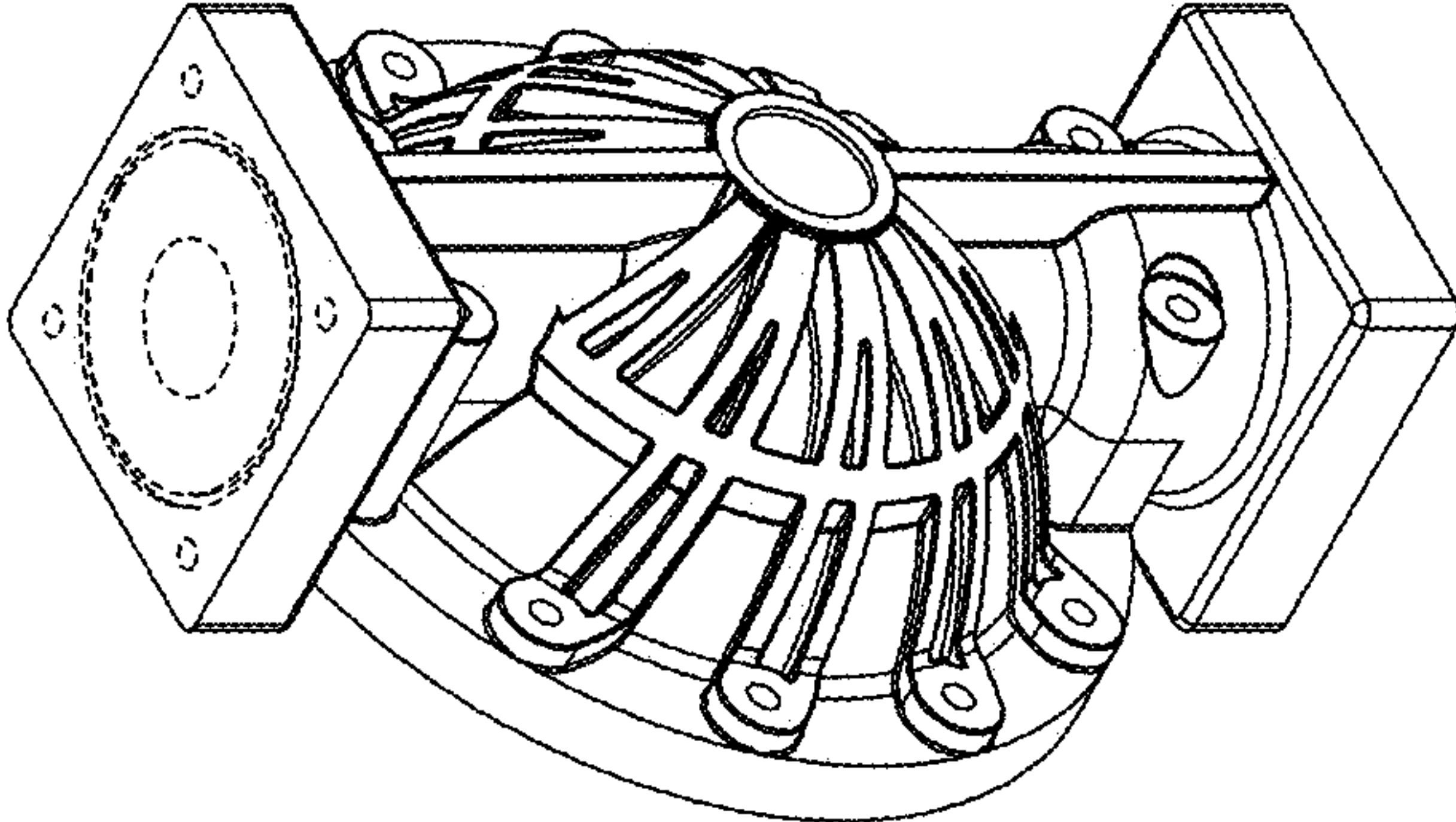


FIGURE 1

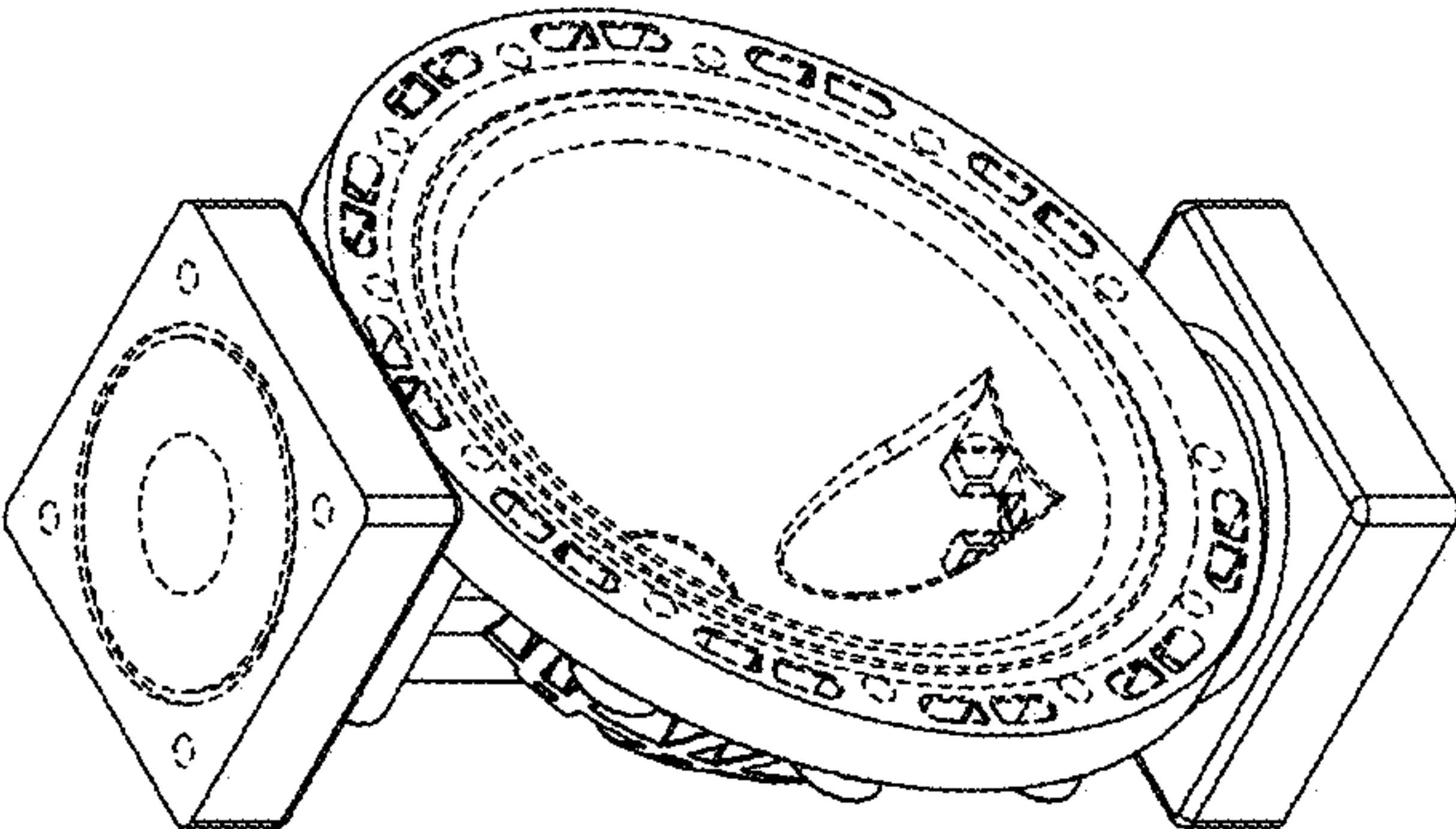


FIGURE 2

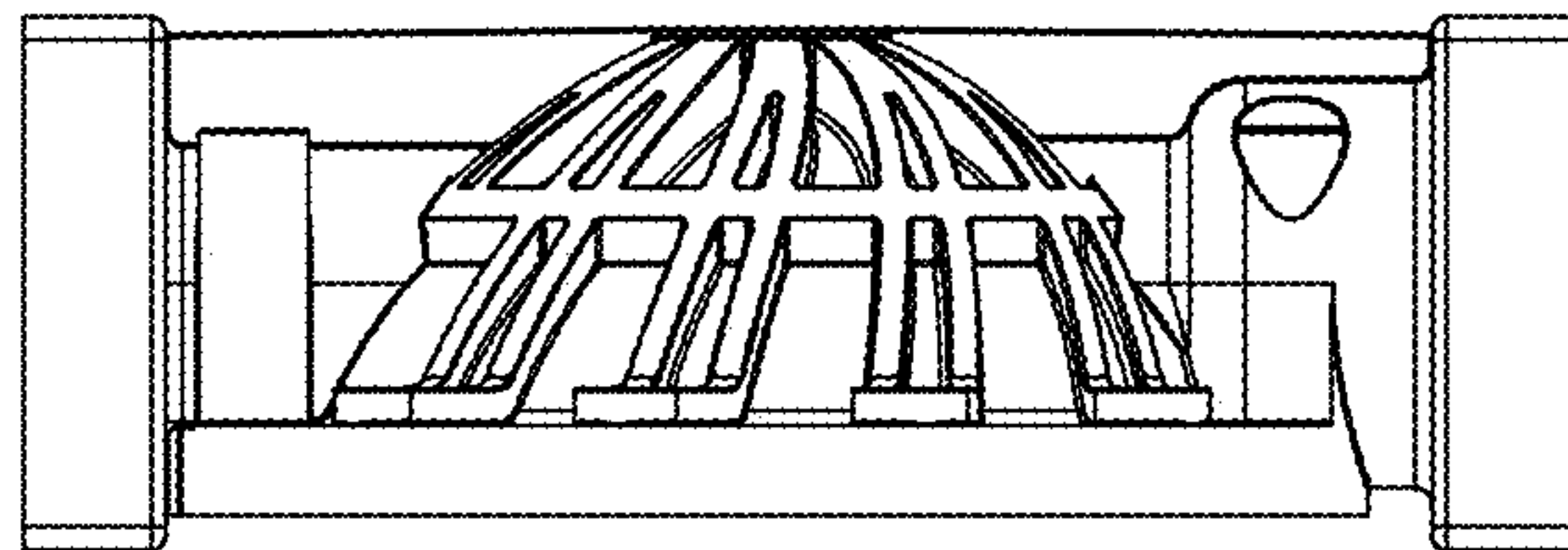


FIGURE 3

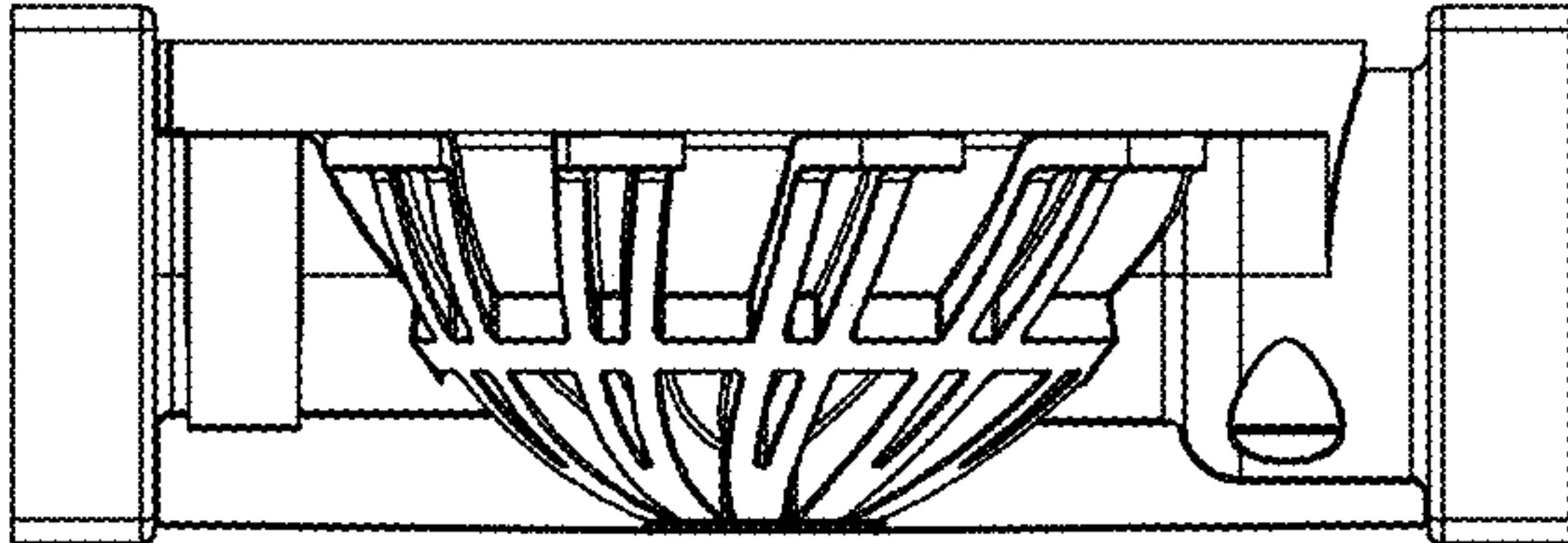


FIGURE 4

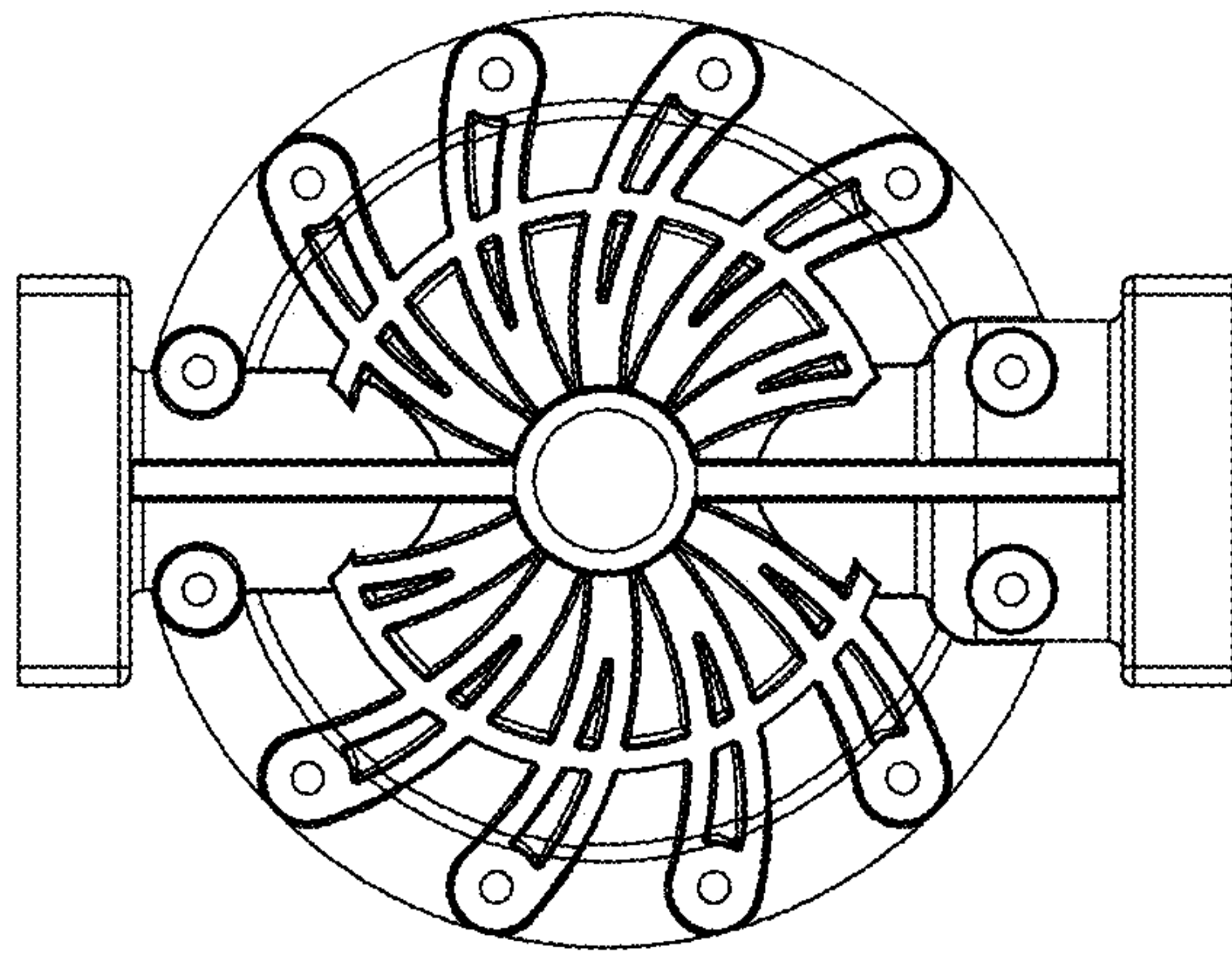


FIGURE 5

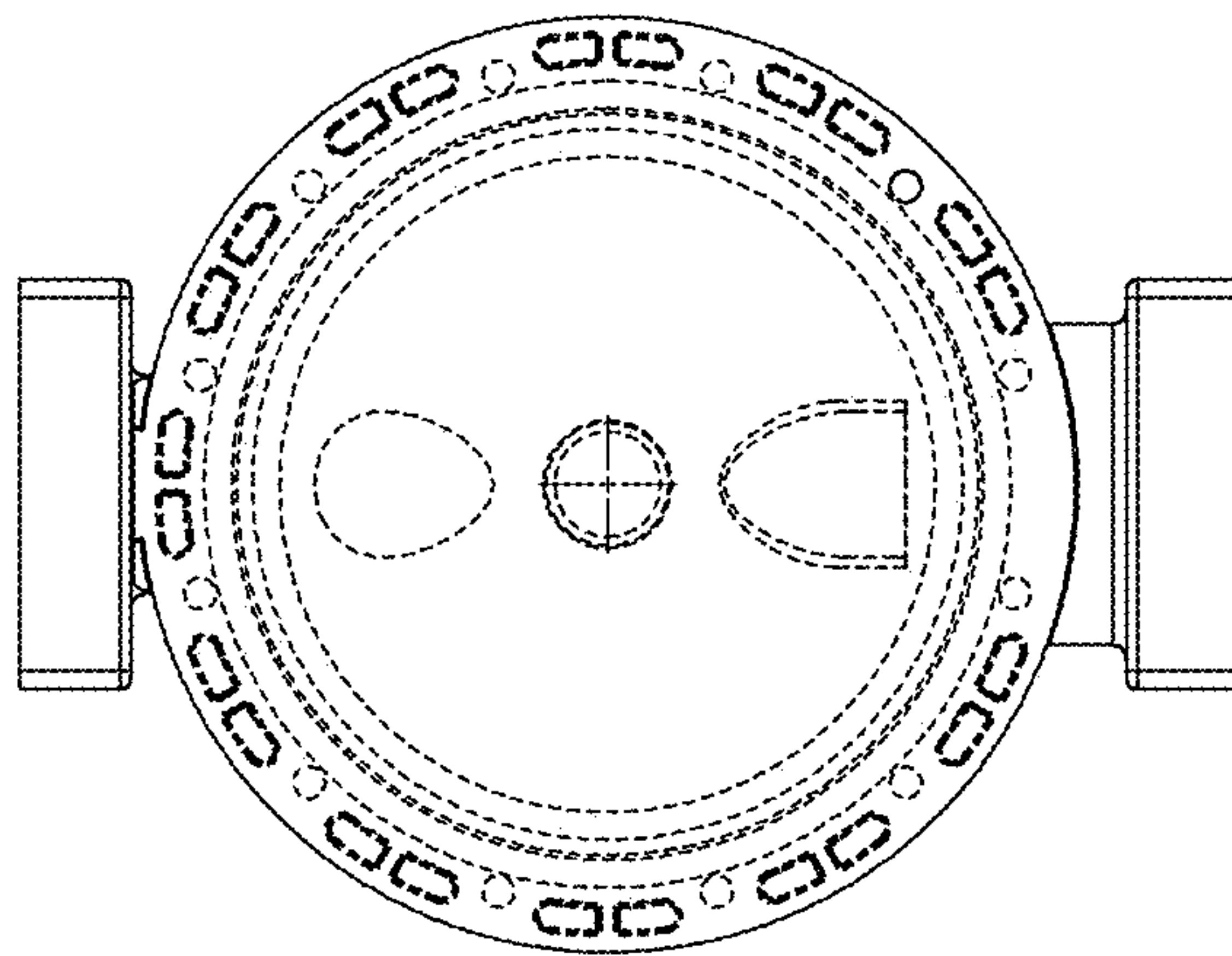


FIGURE 6

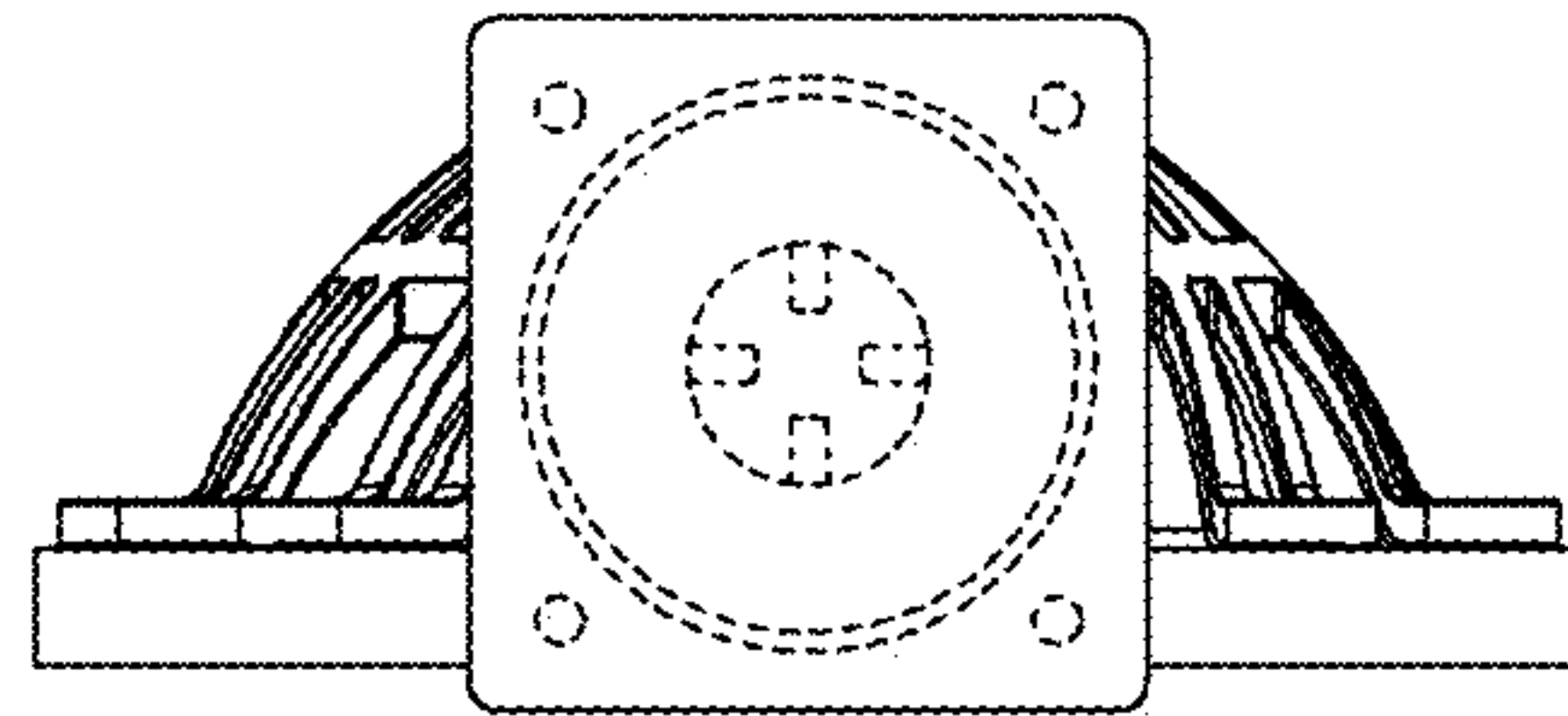


FIGURE 7

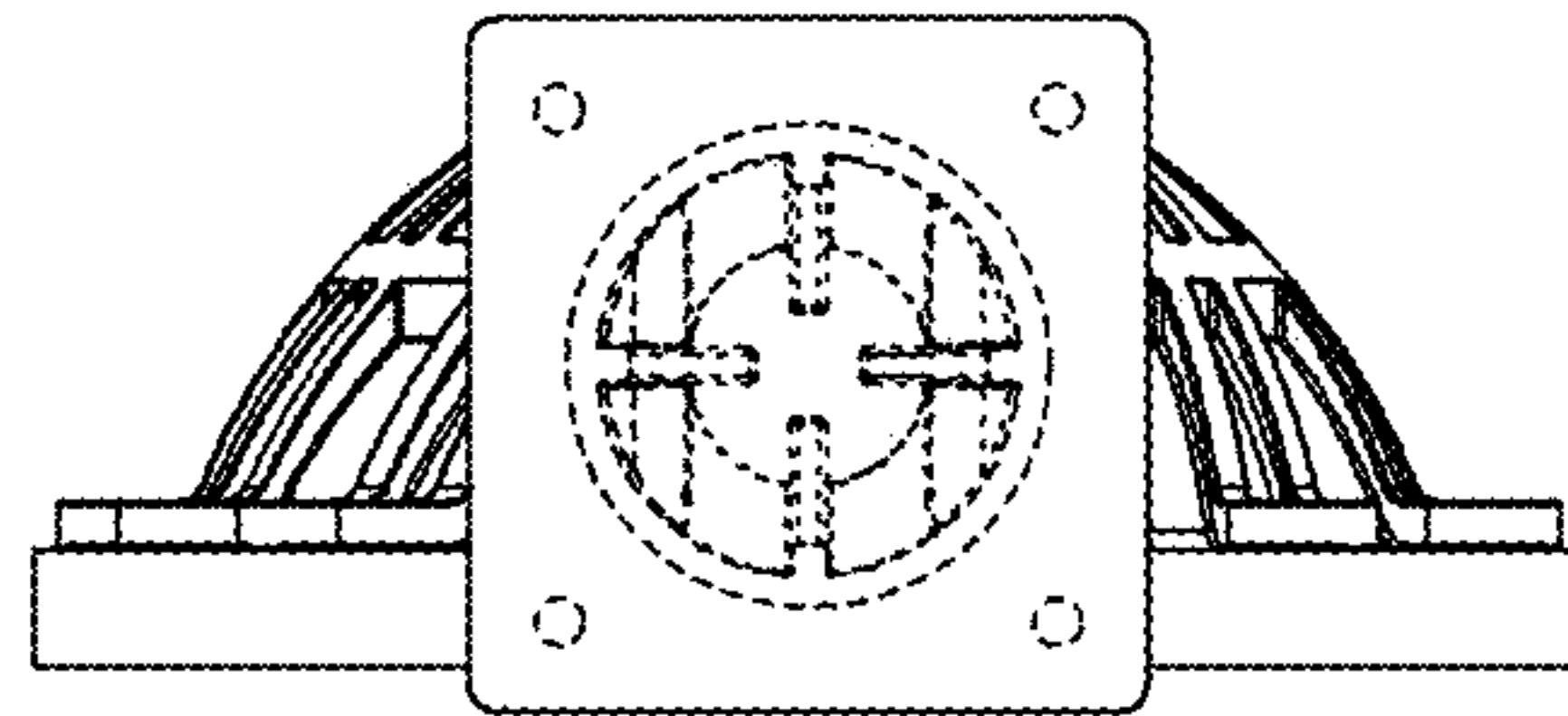


FIGURE 8

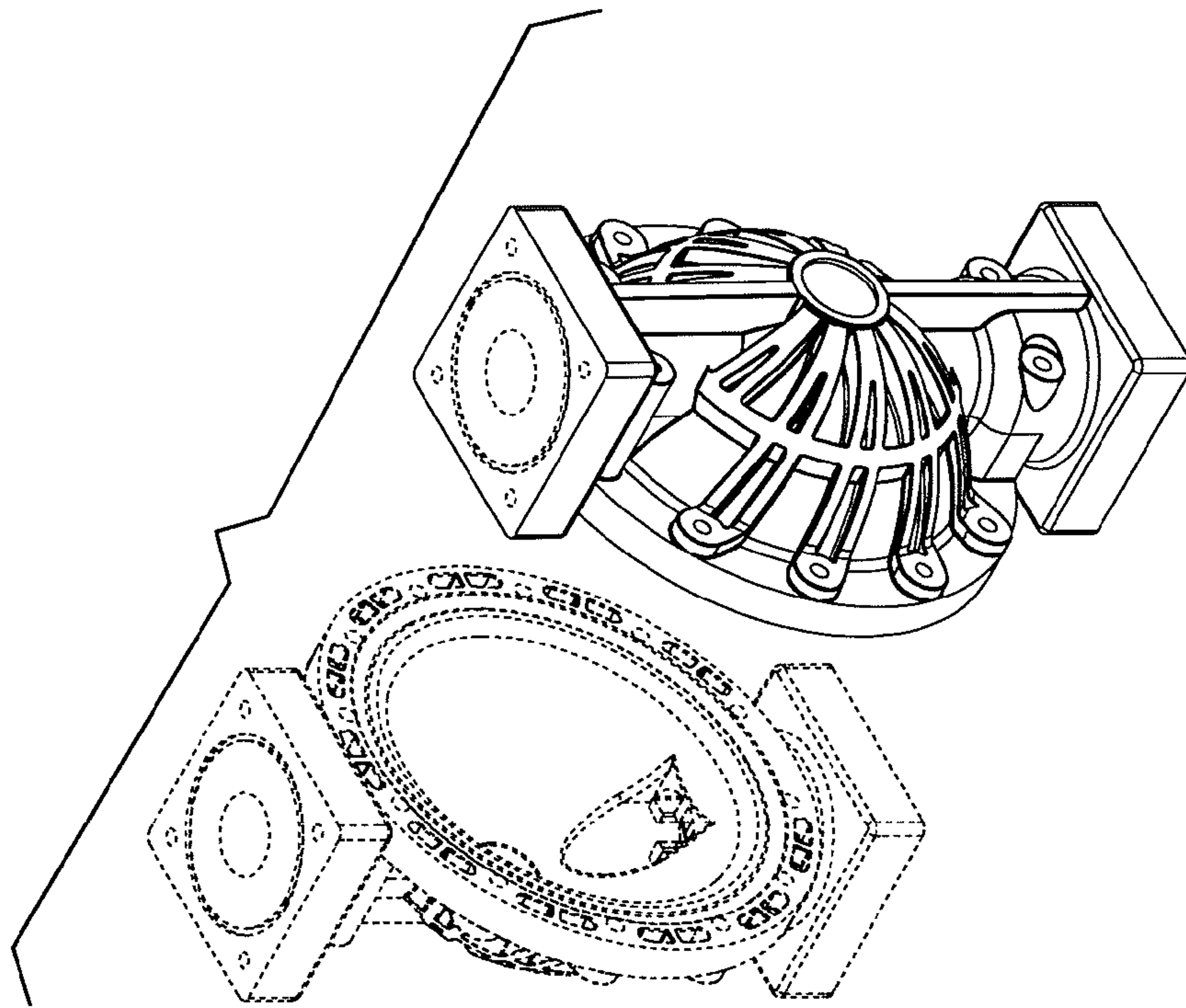


FIGURE 9

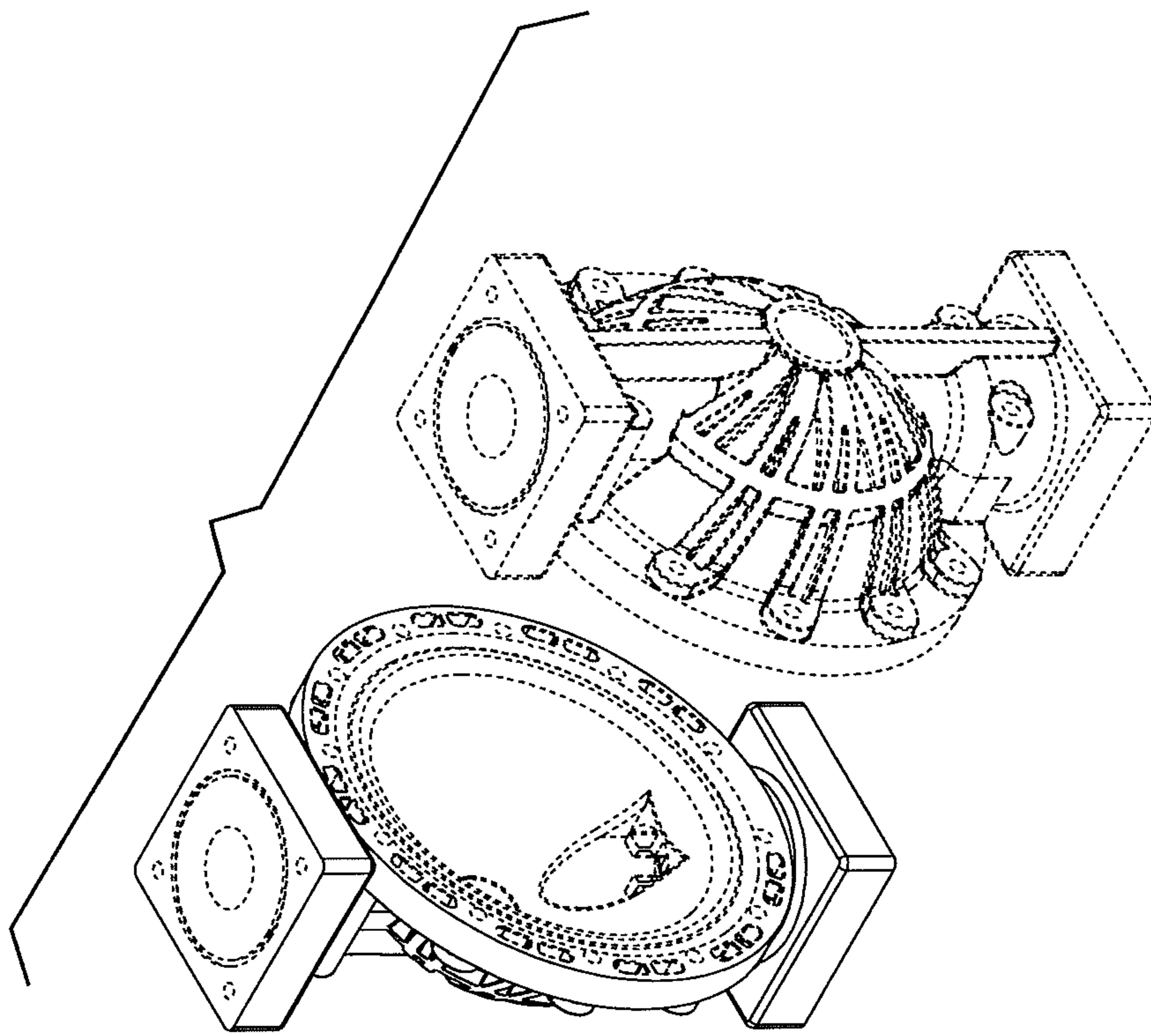


FIGURE 10

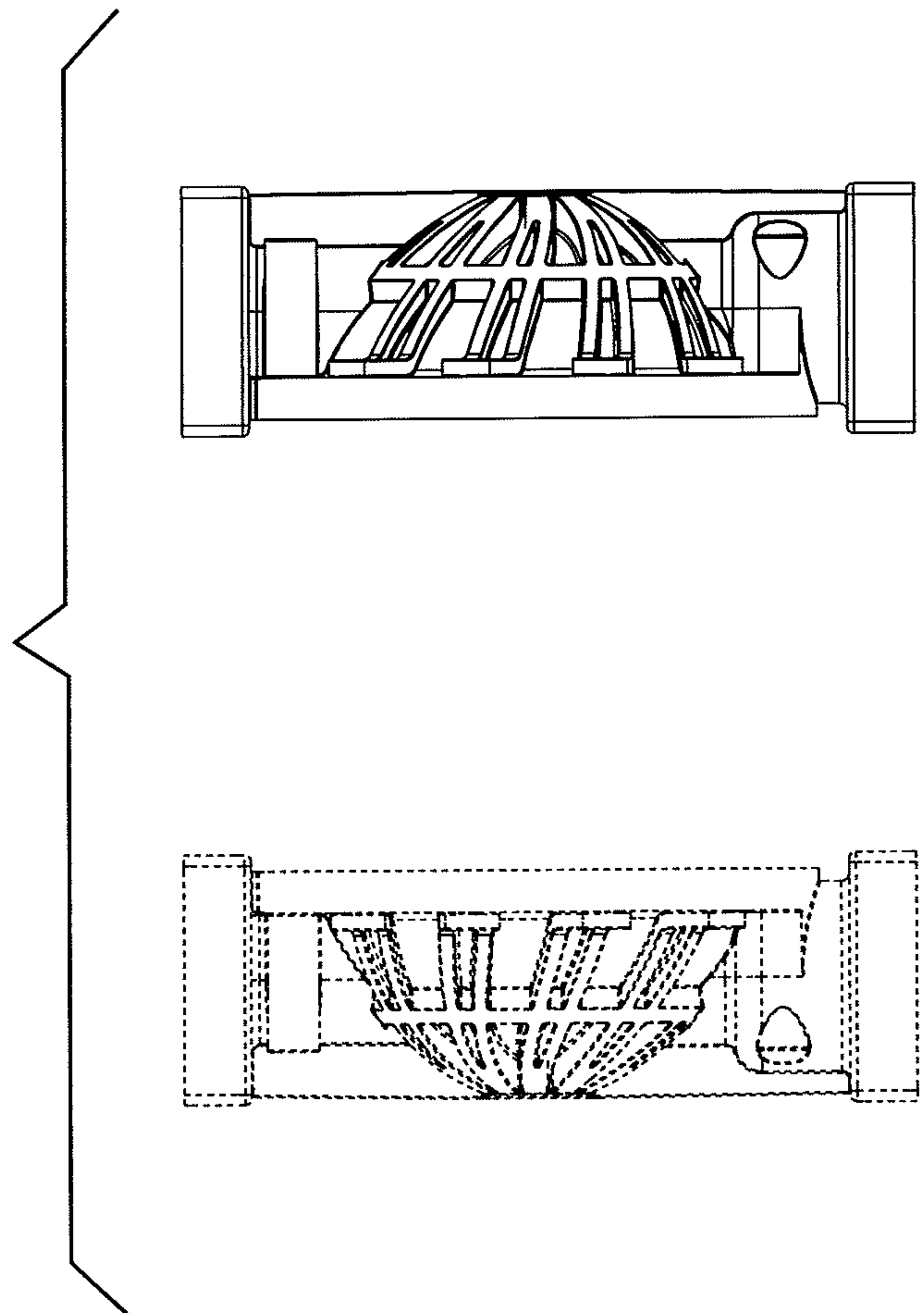


FIGURE 11

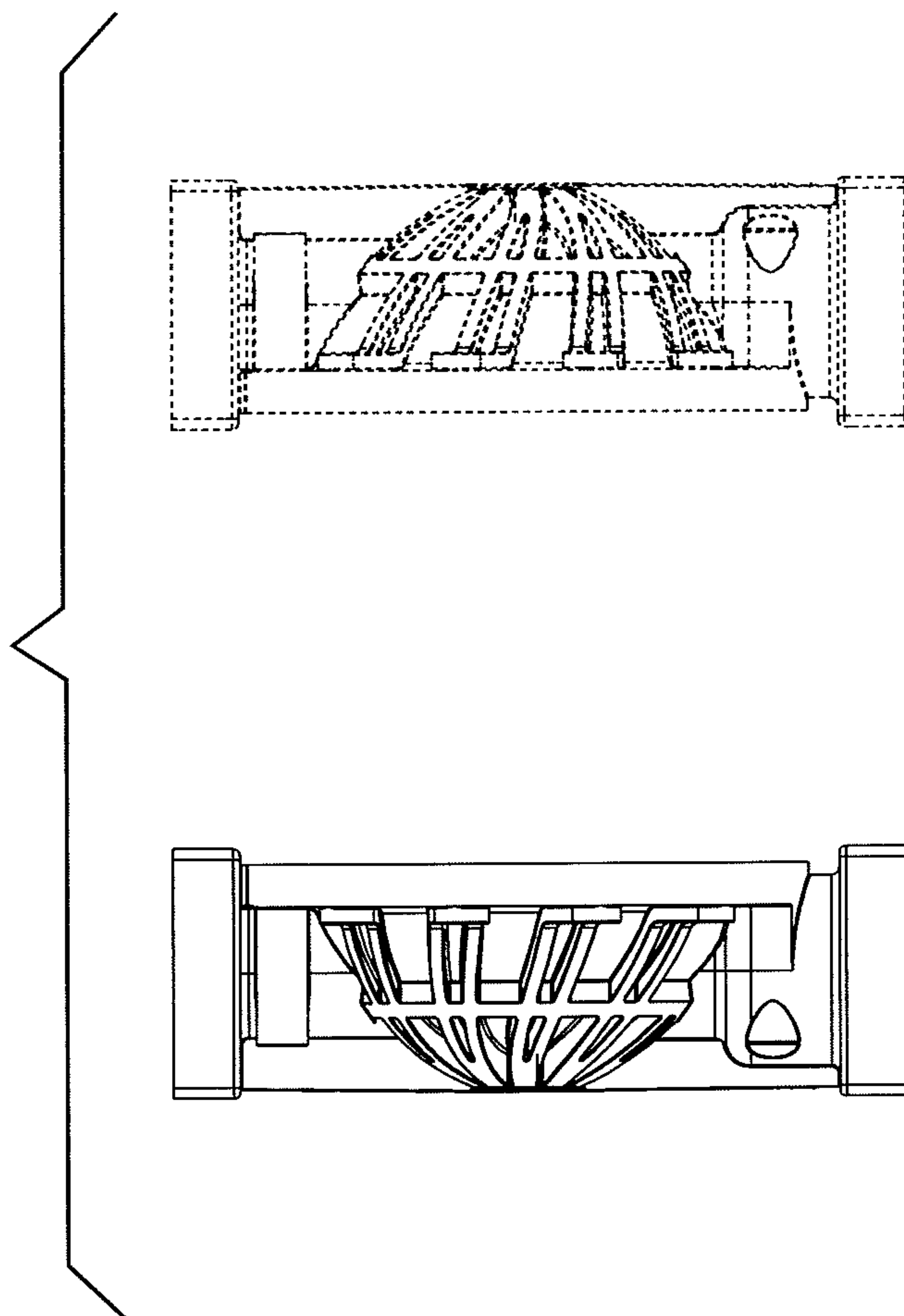


FIGURE 12

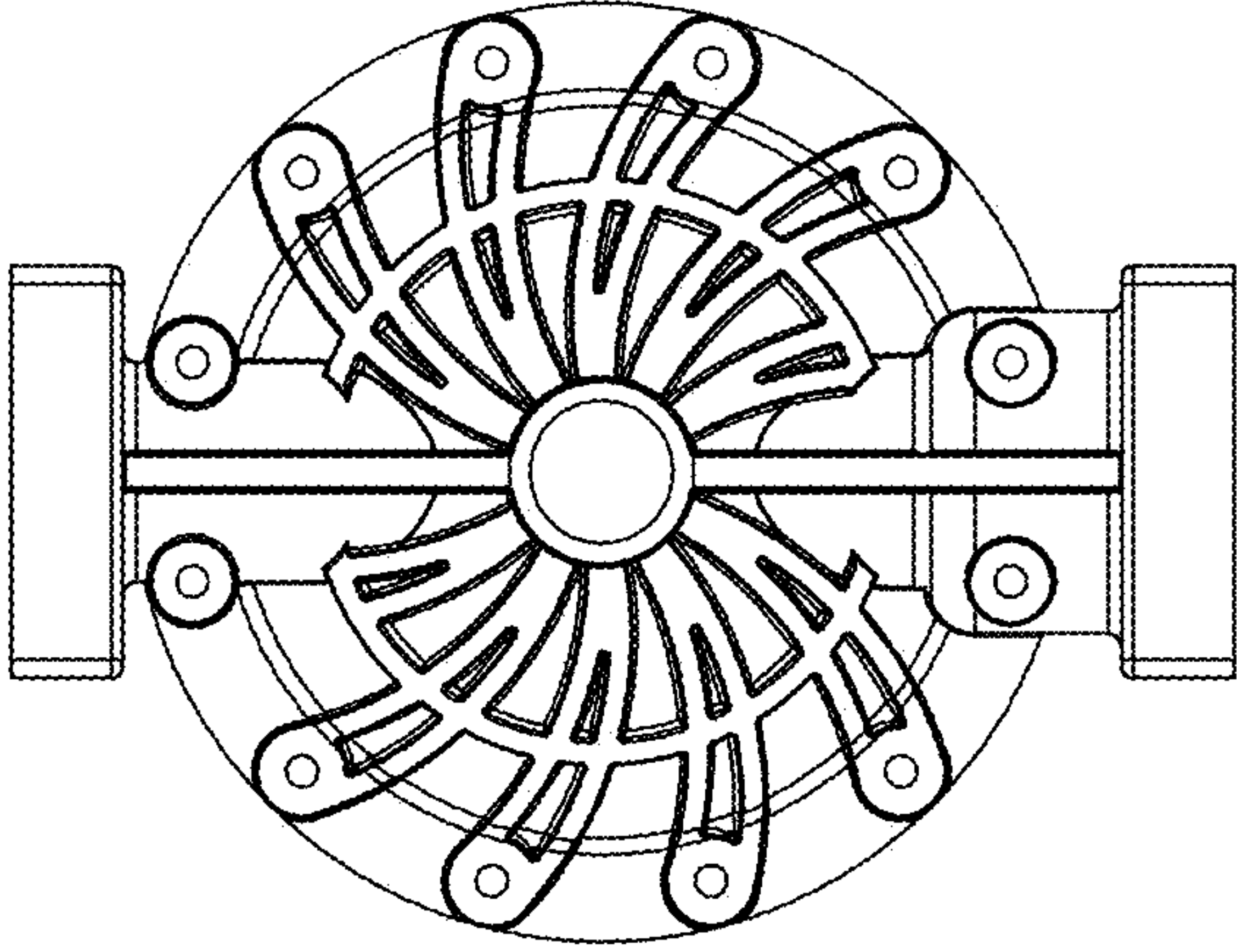


FIGURE 13

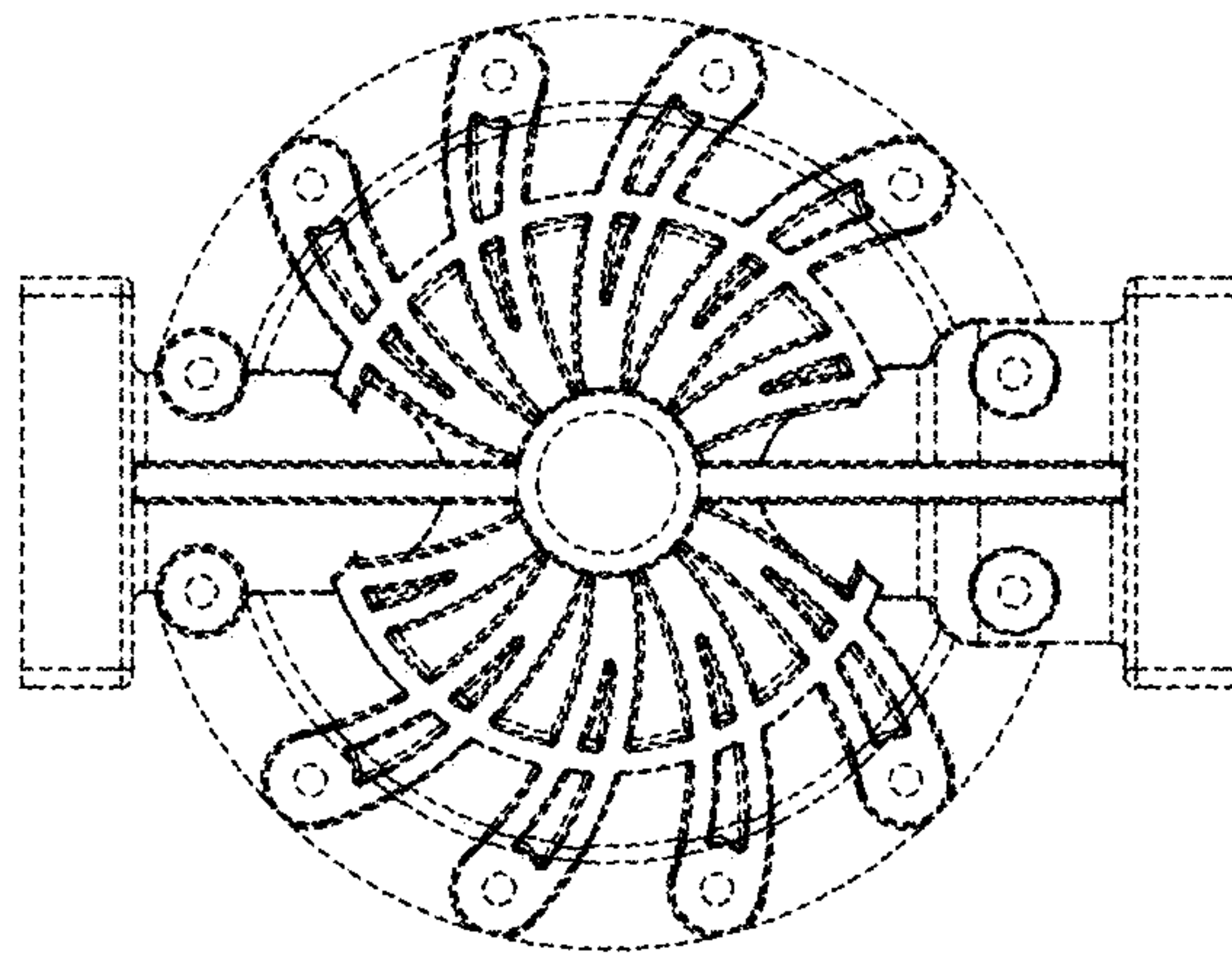


FIGURE 14

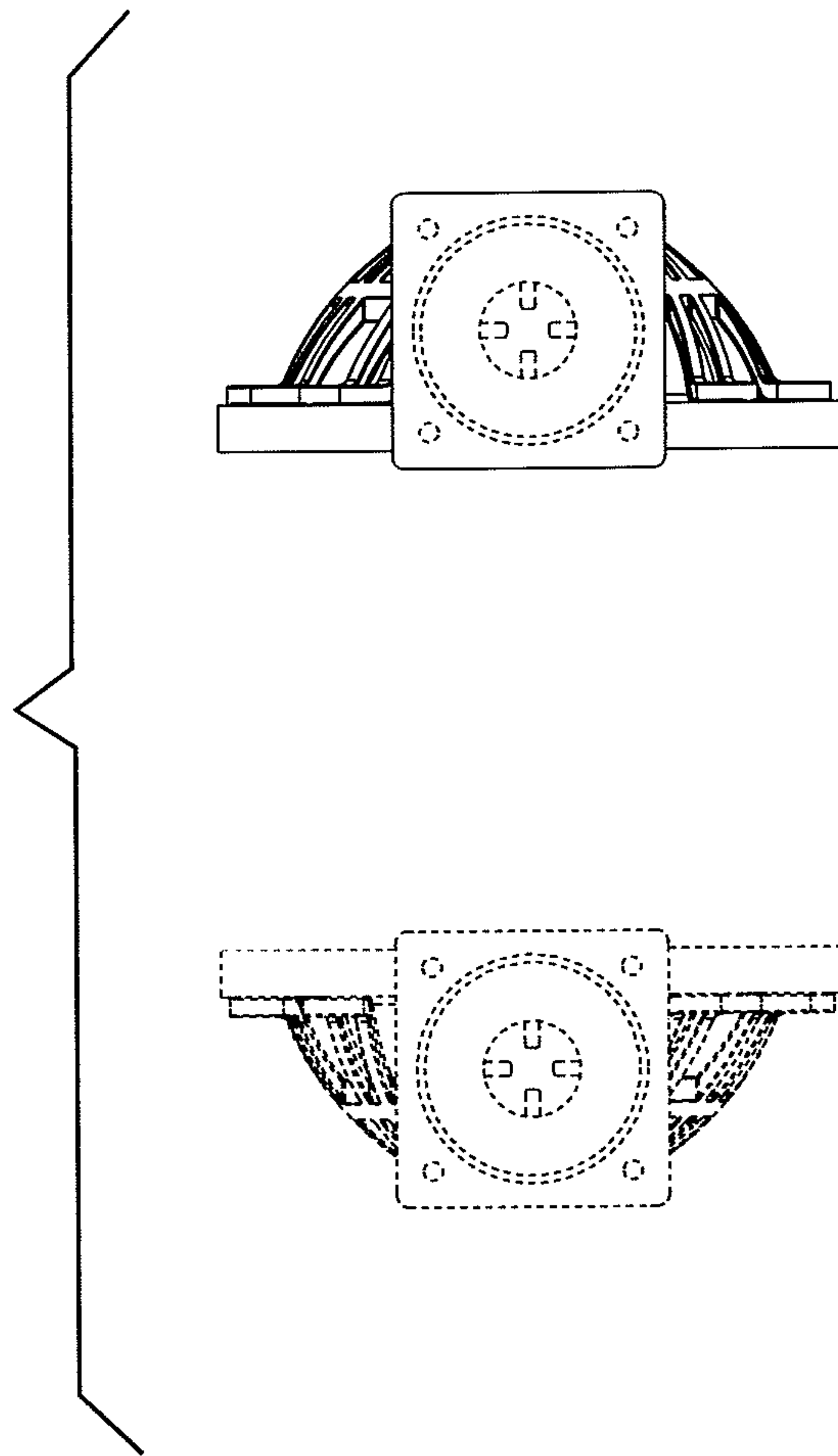


FIGURE 15

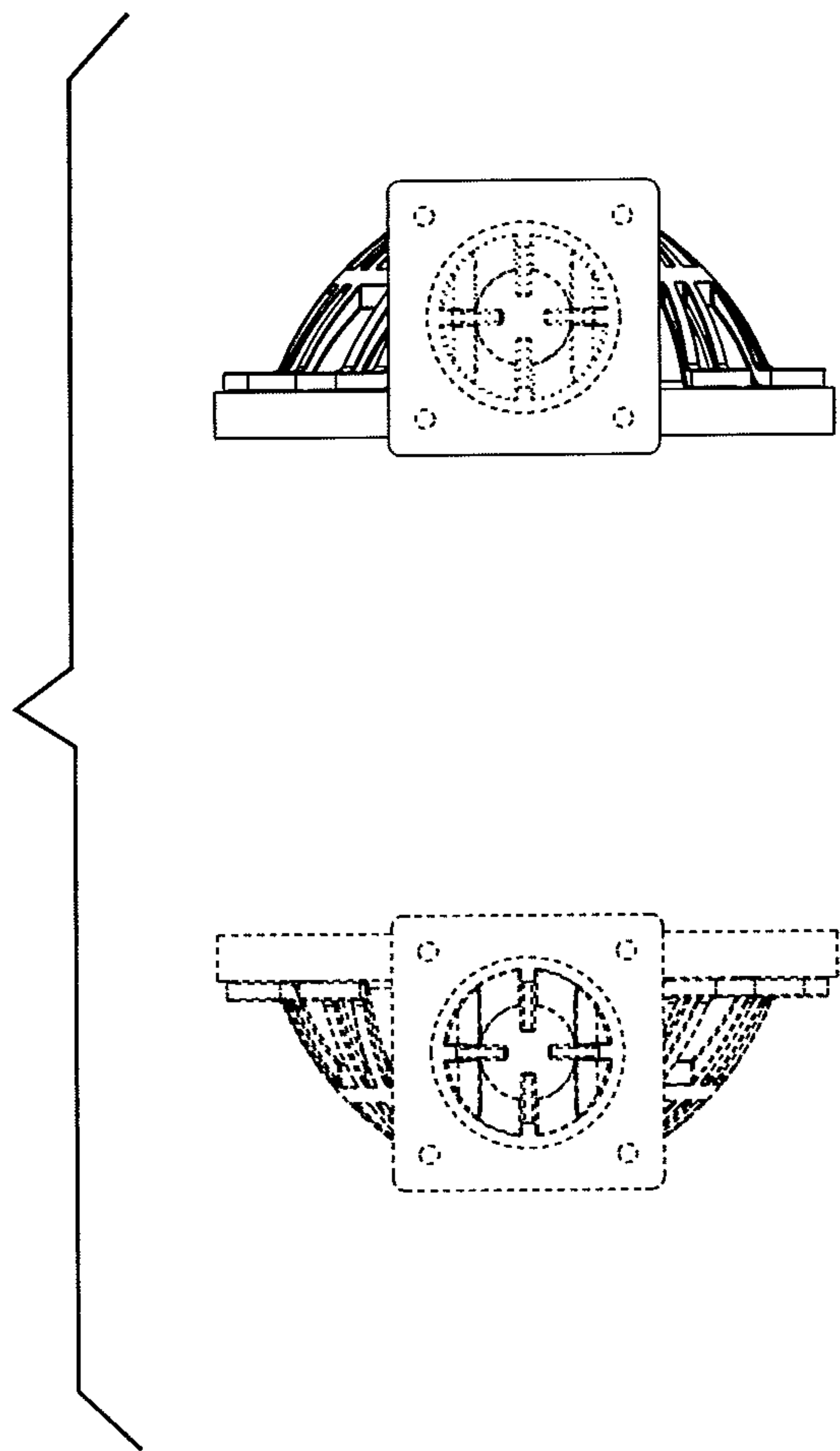


FIGURE 16

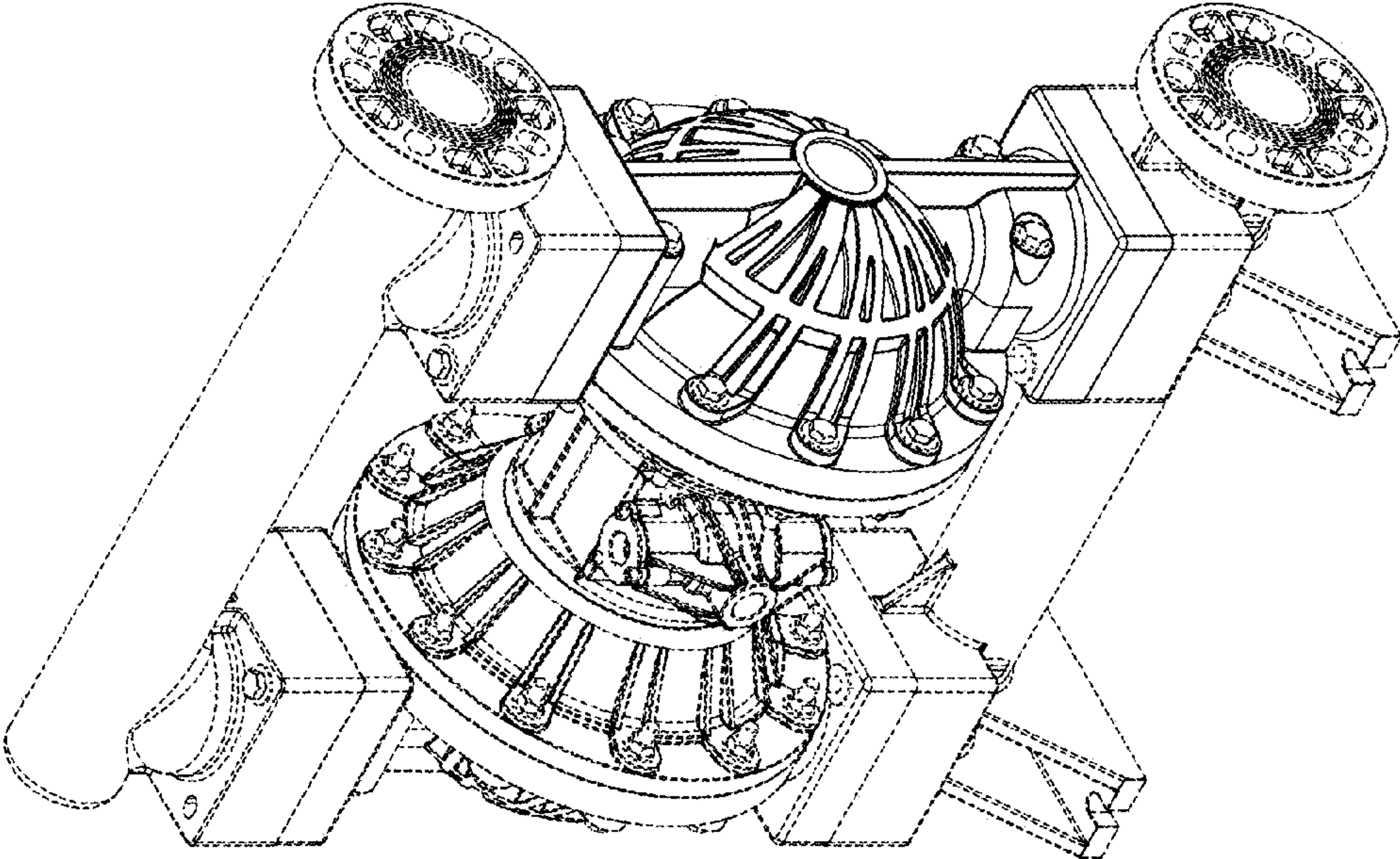


FIGURE 17

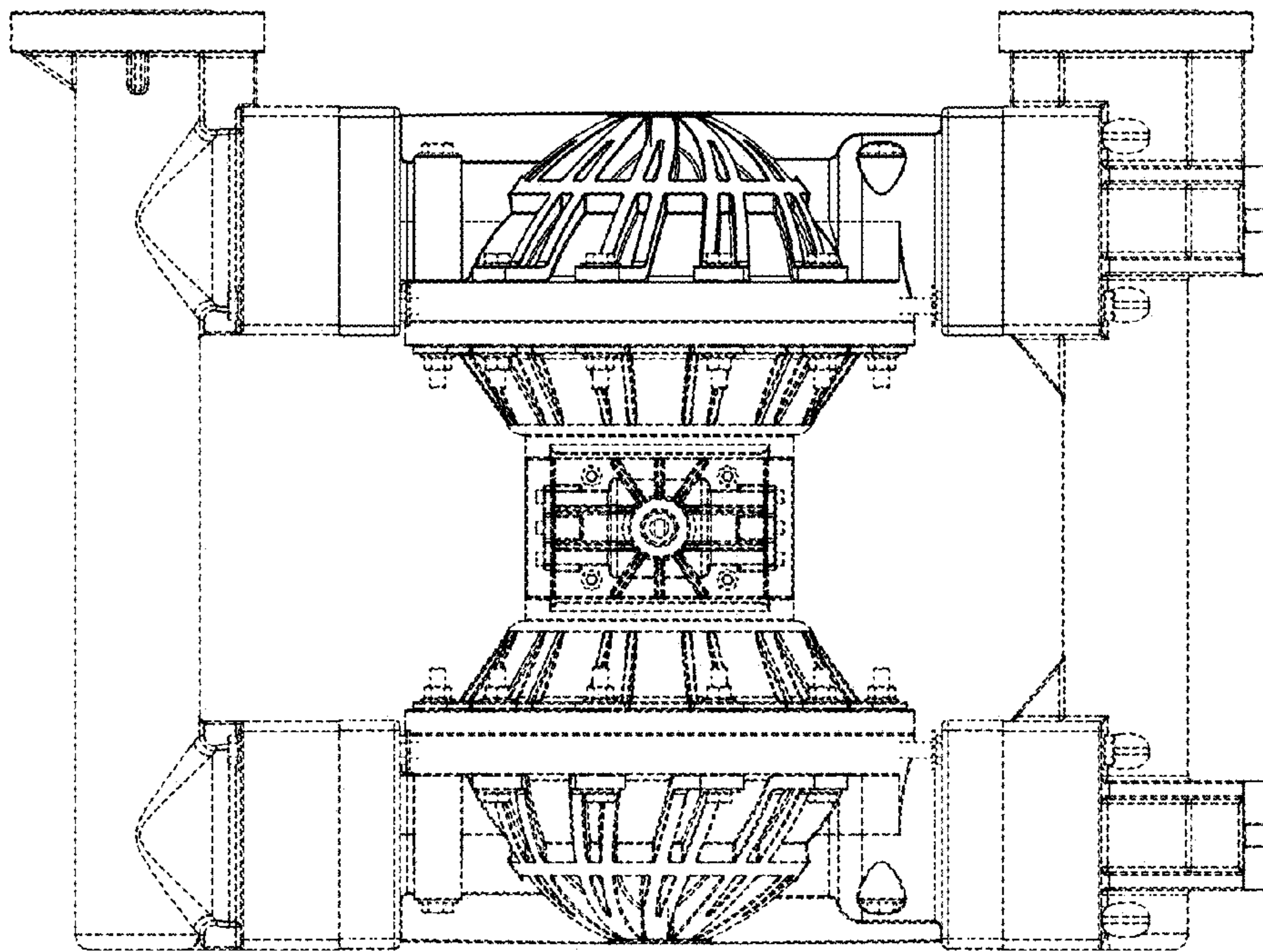


FIGURE 18

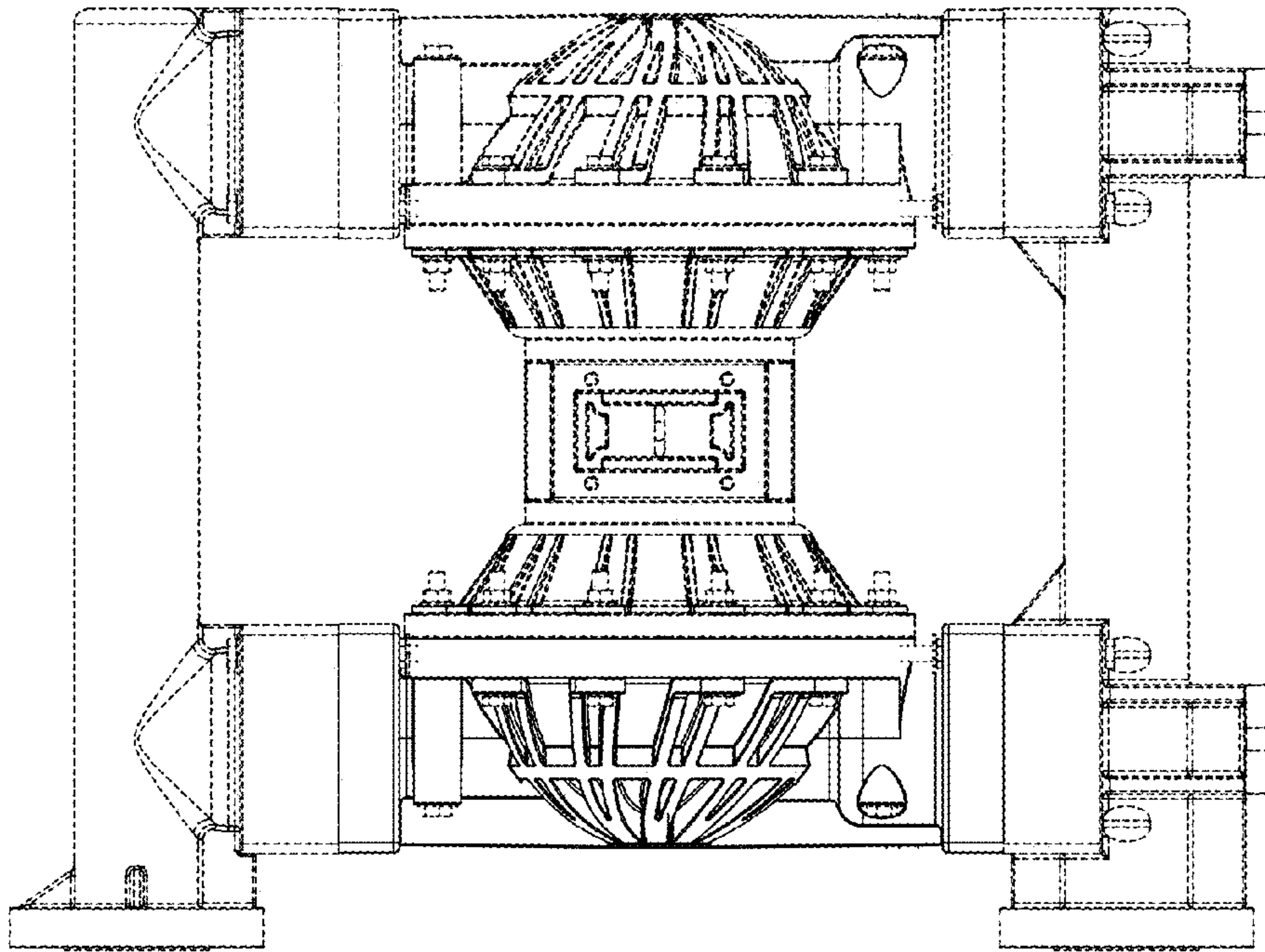


FIGURE 19

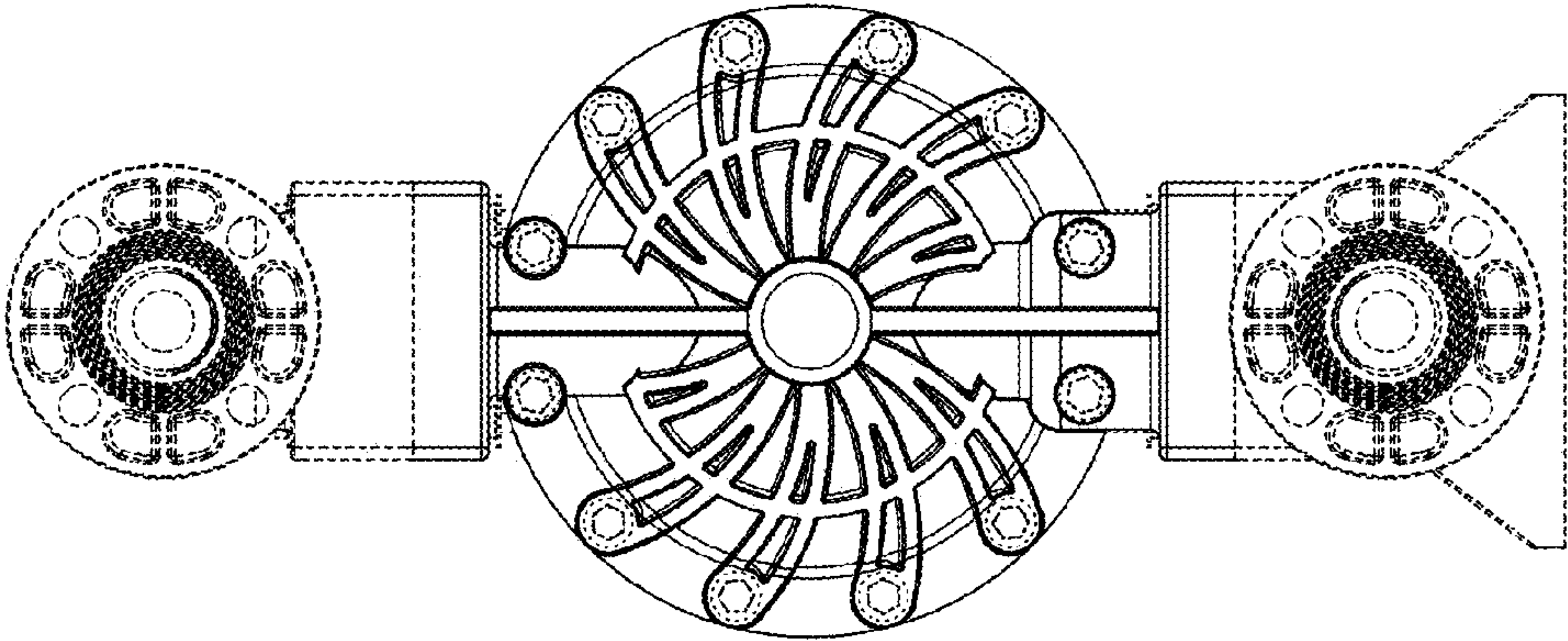


FIGURE 20

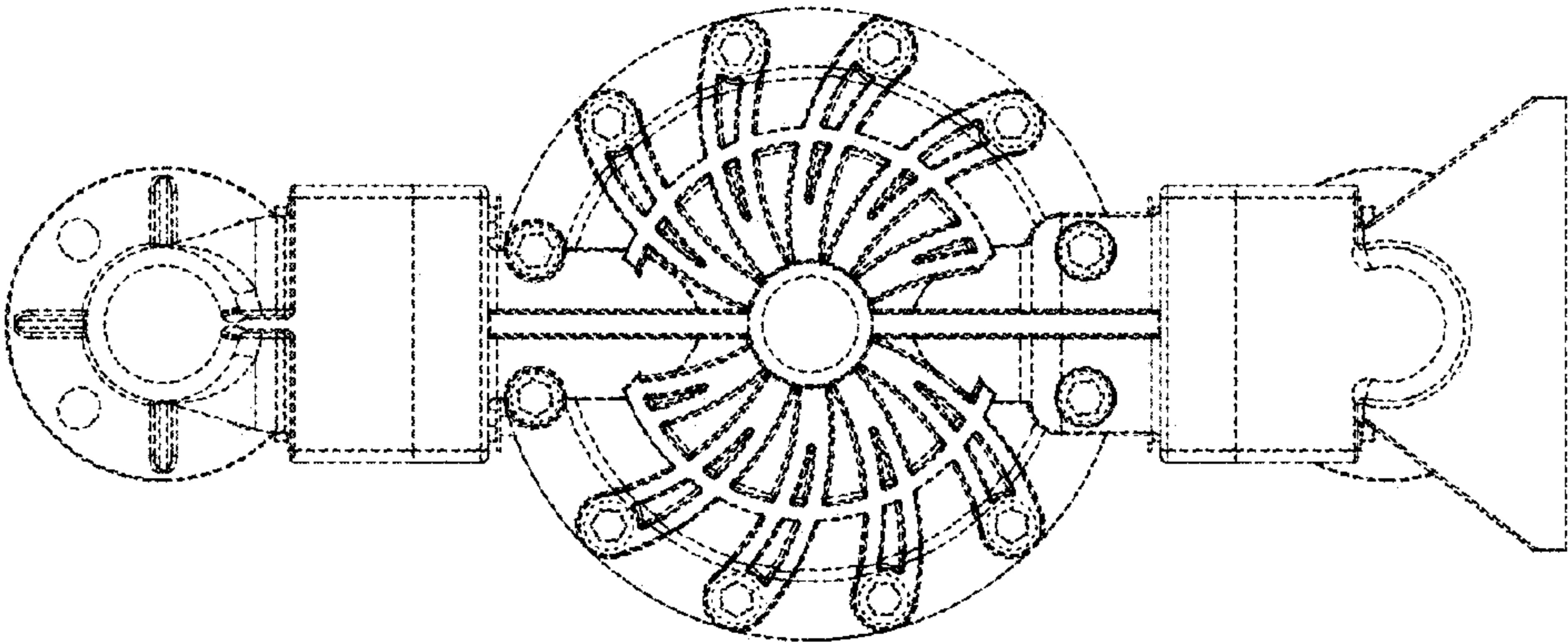


FIGURE 21

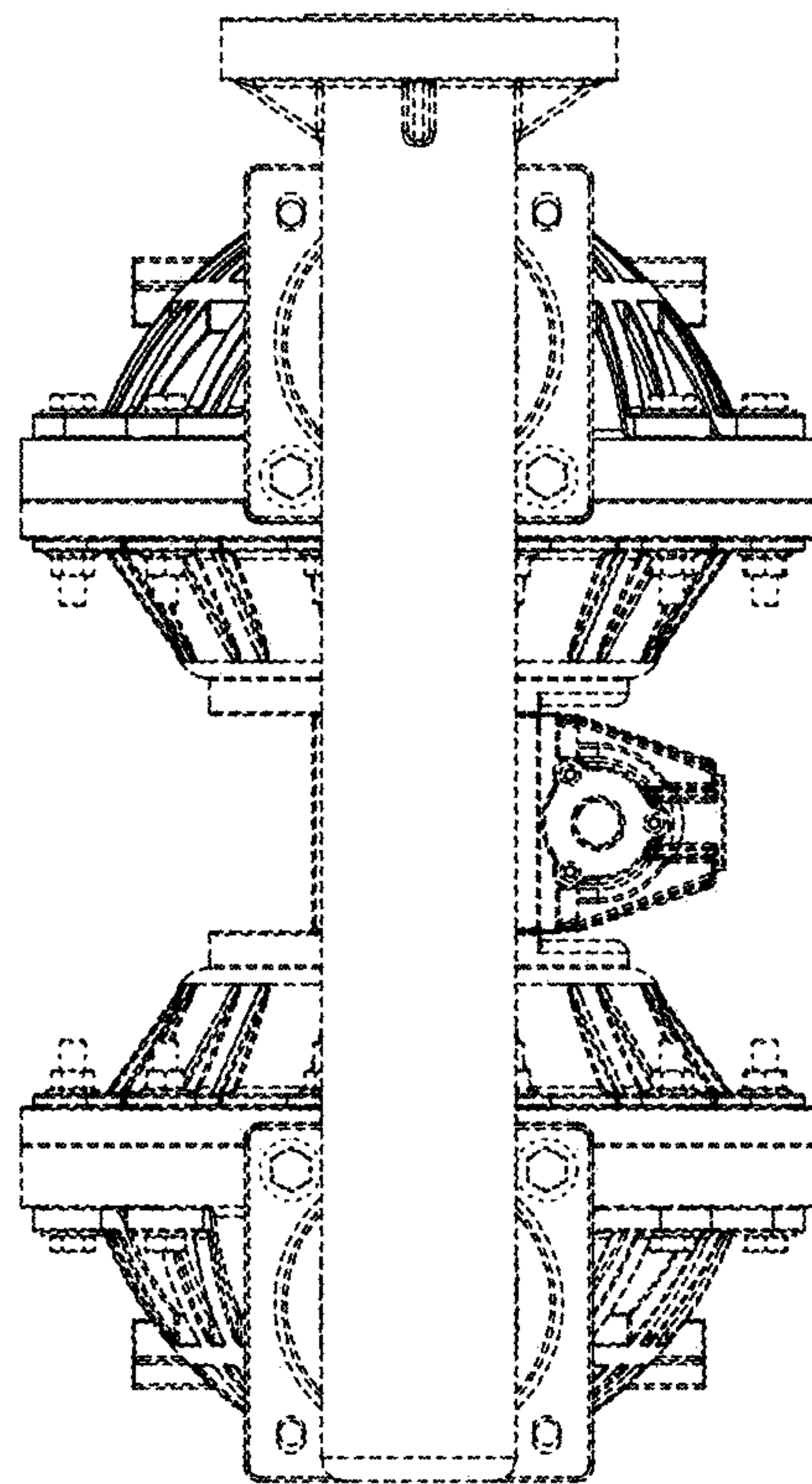


FIGURE 22

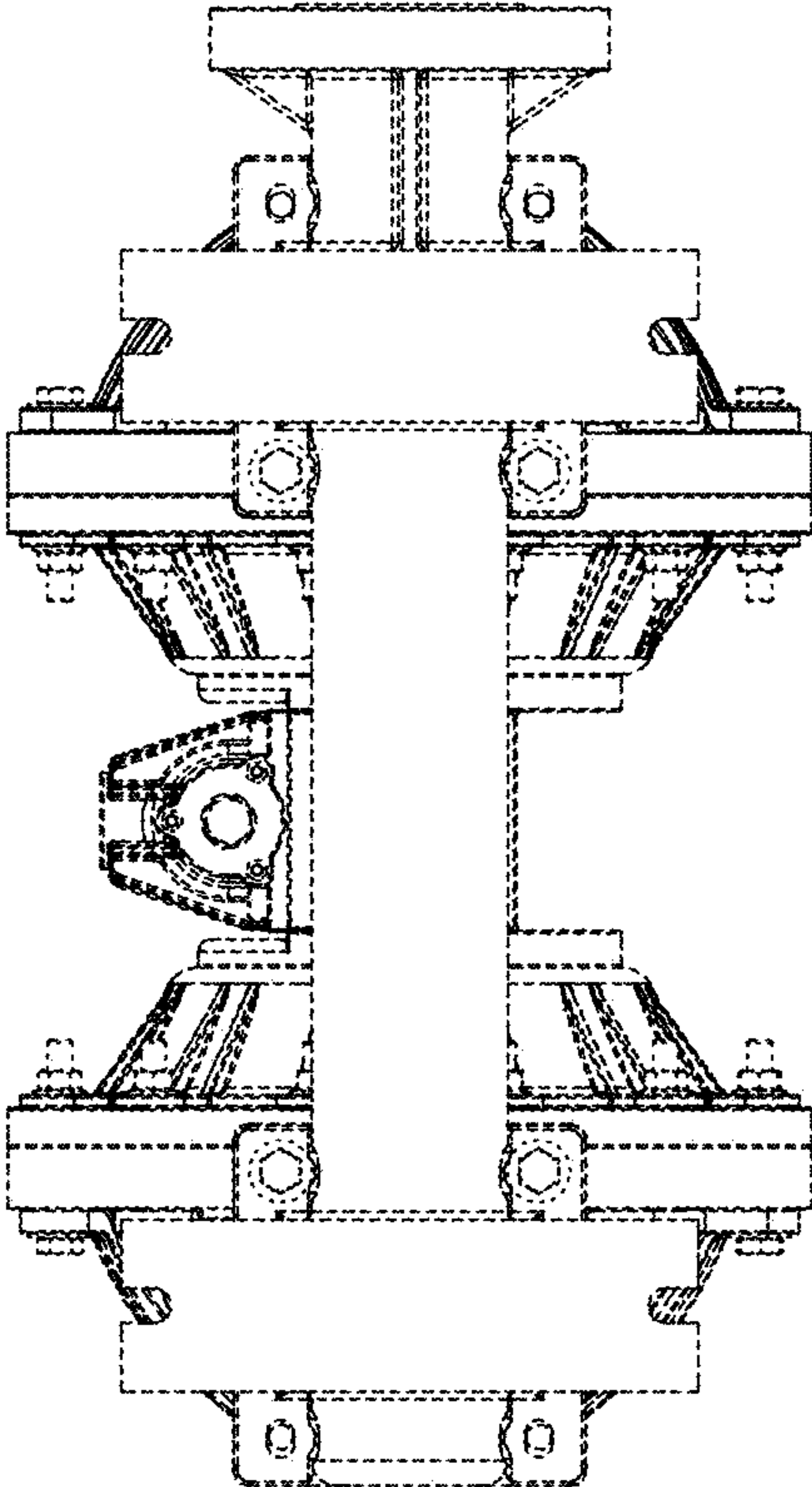


FIGURE 23