



US00D746873S

(12) **United States Design Patent**  
**Davis**

(10) **Patent No.:** **US D746,873 S**  
(45) **Date of Patent:** **\*\* Jan. 5, 2016**

(54) **CHAMBER FOR A DIAPHRAGM PUMP**

*Primary Examiner* — Ralf Seifert

(71) Applicant: **Finish Thompson Inc.**, Erie, PA (US)

(74) *Attorney, Agent, or Firm* — Leydig, Voit & Mayer Ltd.

(72) Inventor: **Matthew A. Davis**, Erie, PA (US)

(73) Assignee: **Finish Thompson Inc.**, Erie, PA (US)

(57) **CLAIM**

The ornamental design for a chamber for a diaphragm pump, as shown and described.

(\*\*) Term: **14 Years**

(21) Appl. No.: **29/515,995**

(22) Filed: **Jan. 28, 2015**

**DESCRIPTION**

(51) **LOC (10) Cl.** ..... **15-02**

(52) **U.S. Cl.**  
USPC ..... **D15/7**

(58) **Field of Classification Search**  
USPC ..... D15/7-9; D23/231, 232, 225; 417/60,  
417/235, 265, 321, 355, 358, 363, 359,  
417/410.1, 415-416, 405, 900; 60/408,  
60/412; 184/26-37; 415/140-147;  
123/495, 509; 137/565.34  
CPC ..... F02M 37/04; F02M 37/14  
See application file for complete search history.

FIG. 1 is a front perspective view of a chamber for a diaphragm pump showing the claimed design;  
FIG. 2 is a rear perspective view thereof;  
FIG. 3 is a front view thereof;  
FIG. 4 is a rear view thereof;  
FIG. 5 is a right side view thereof;  
FIG. 6 is a left side view thereof;  
FIG. 7 is a top view thereof; and  
FIG. 8 is a bottom view thereof.  
FIG. 9 is a front perspective view of the chamber for the diaphragm pump shown in FIG. 1 shown in relation to a second chamber for the diaphragm pump;  
FIG. 10 is a rear perspective view thereof;  
FIG. 11 is a front view thereof;  
FIG. 12 is a rear view thereof;  
FIG. 13 is a right side view thereof;  
FIG. 14 is a left side view thereof;  
FIG. 15 is a top view thereof; and  
FIG. 16 is a bottom view thereof.  
FIG. 17 is a front perspective view of a diaphragm pump that includes a chamber for the diaphragm pump as shown in FIG. 1;  
FIG. 18 is a front view thereof;  
FIG. 19 is a rear view thereof;  
FIG. 20 is a right side view thereof;  
FIG. 21 is a left side view thereof;  
FIG. 22 is a top view thereof; and  
FIG. 23 is a bottom view thereof.

The broken line representations are for purposes of illustration only and form no part of the claimed design.

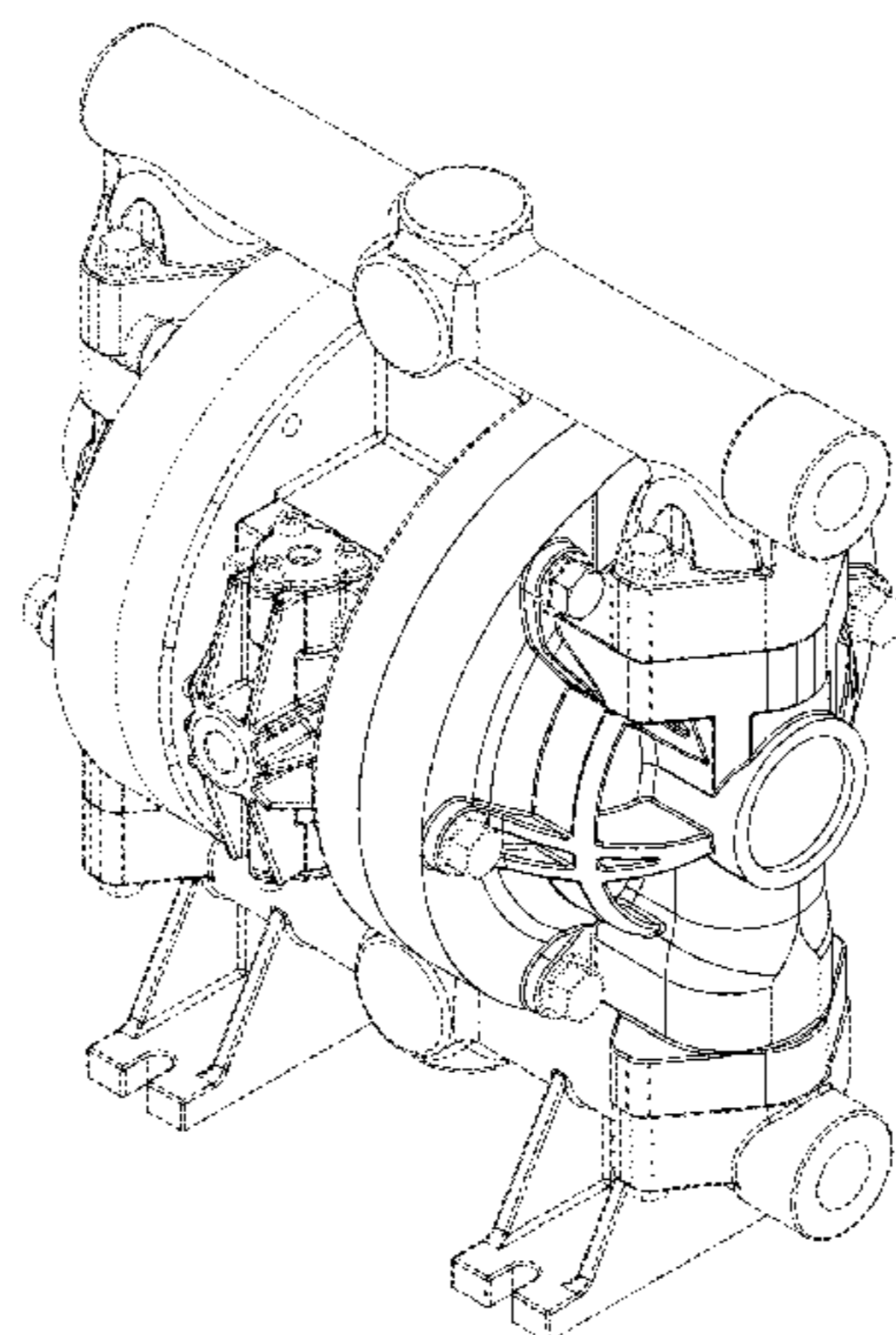
(56) **References Cited**

U.S. PATENT DOCUMENTS

D268,413	S	*	3/1983	Wilden	.....	D15/7
D275,858	S	*	10/1984	Wilden	.....	D15/7
D291,319	S	*	8/1987	Hicks	.....	D15/7
D294,946	S	*	3/1988	Wilden	.....	D15/7
D294,947	S	*	3/1988	Wilden	.....	D15/7
D370,488	S	*	6/1996	Kozumplik et al.	.....	D15/7
D380,218	S	*	6/1997	McKee et al.	.....	D15/7
D388,796	S	*	1/1998	Conti et al.	.....	D15/7
D388,797	S	*	1/1998	Conti et al.	.....	D15/7
D400,210	S	*	10/1998	Reynolds et al.	.....	D15/7
D435,855	S	*	1/2001	Donelson et al.	.....	D15/7
D484,145	S	*	12/2003	Roberts et al.	.....	D15/7
D500,325	S		12/2004	Reynolds et al.		
D515,101	S	*	2/2006	Wiechers et al.	.....	D15/7
D545,326	S		6/2007	Zellers		
D667,465	S	*	9/2012	Headley et al.	.....	D15/7
D674,815	S	*	1/2013	Headley et al.	.....	D15/7
D675,231	S	*	1/2013	Headley et al.	.....	D15/7
D682,316	S	*	5/2013	Rogne et al.	.....	D15/7

\* cited by examiner

**1 Claim, 23 Drawing Sheets**



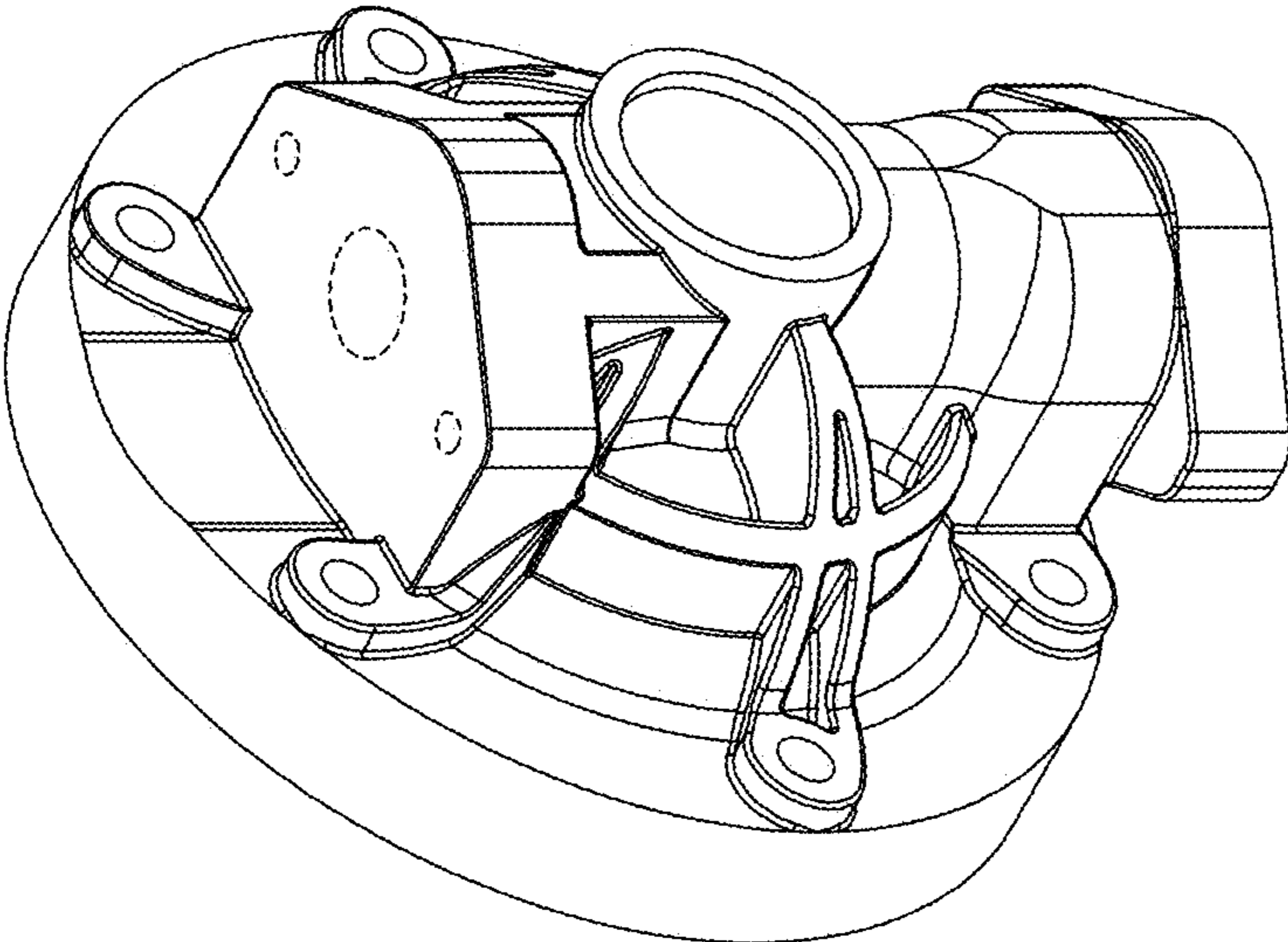


FIGURE 1

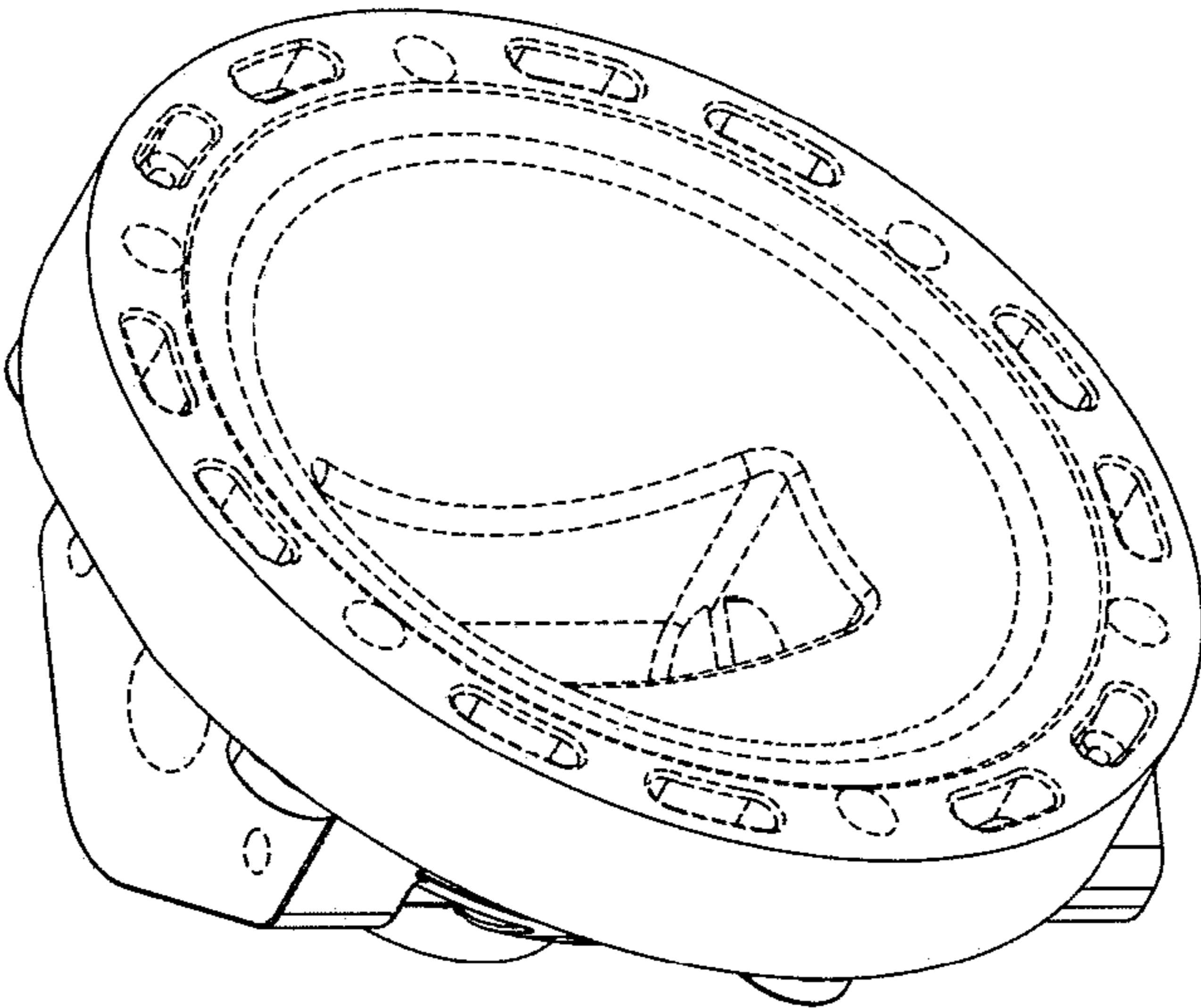


FIGURE 2

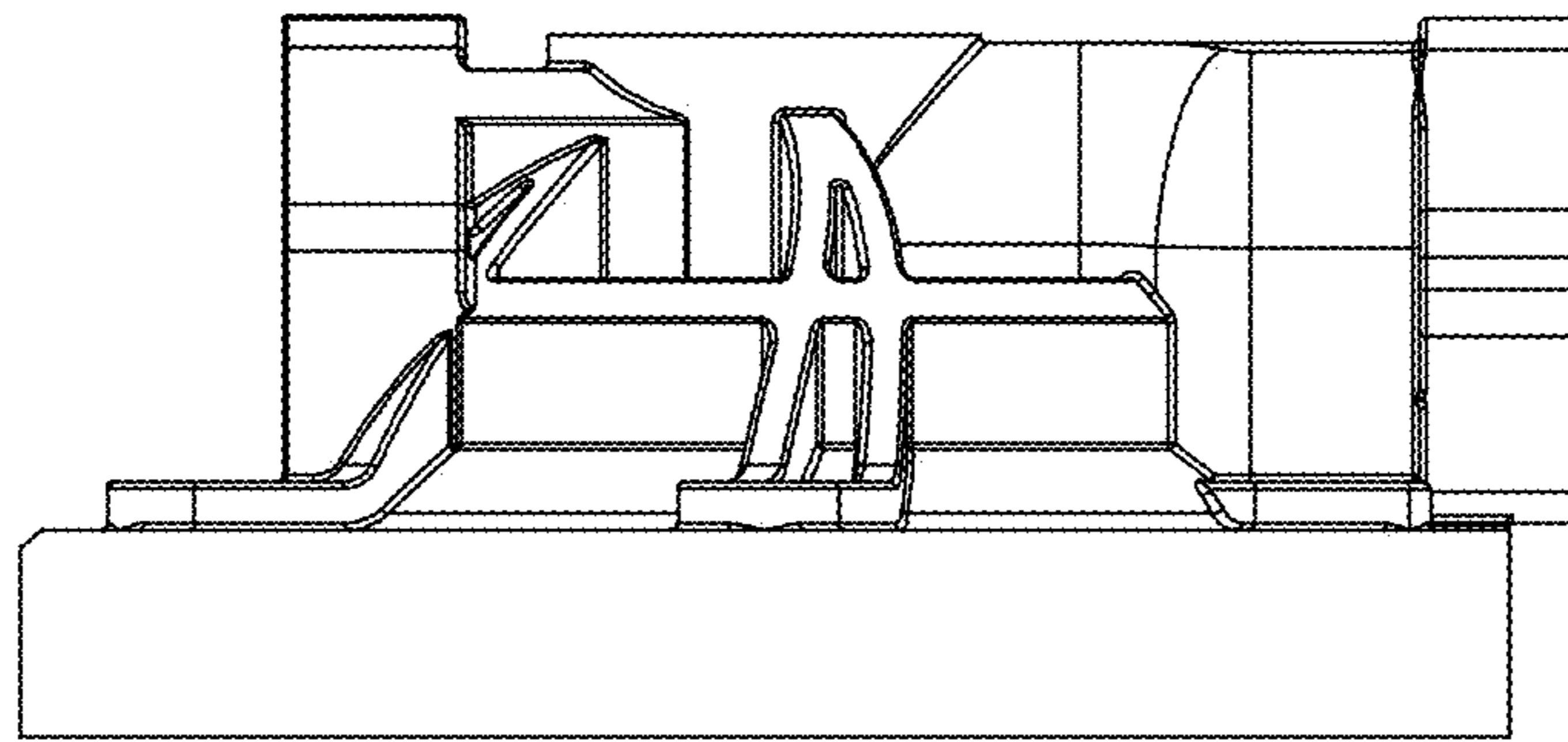


FIGURE 3

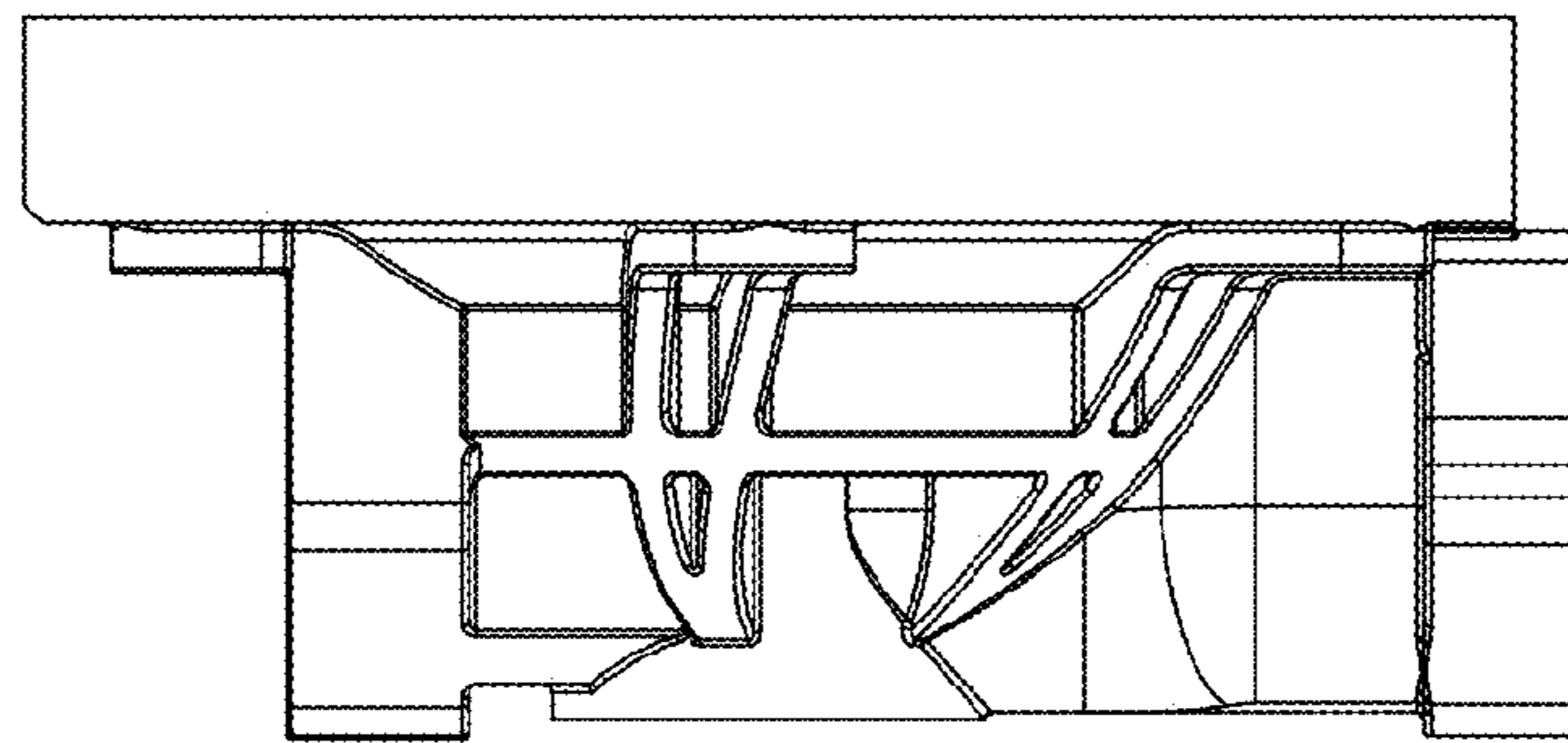


FIGURE 4

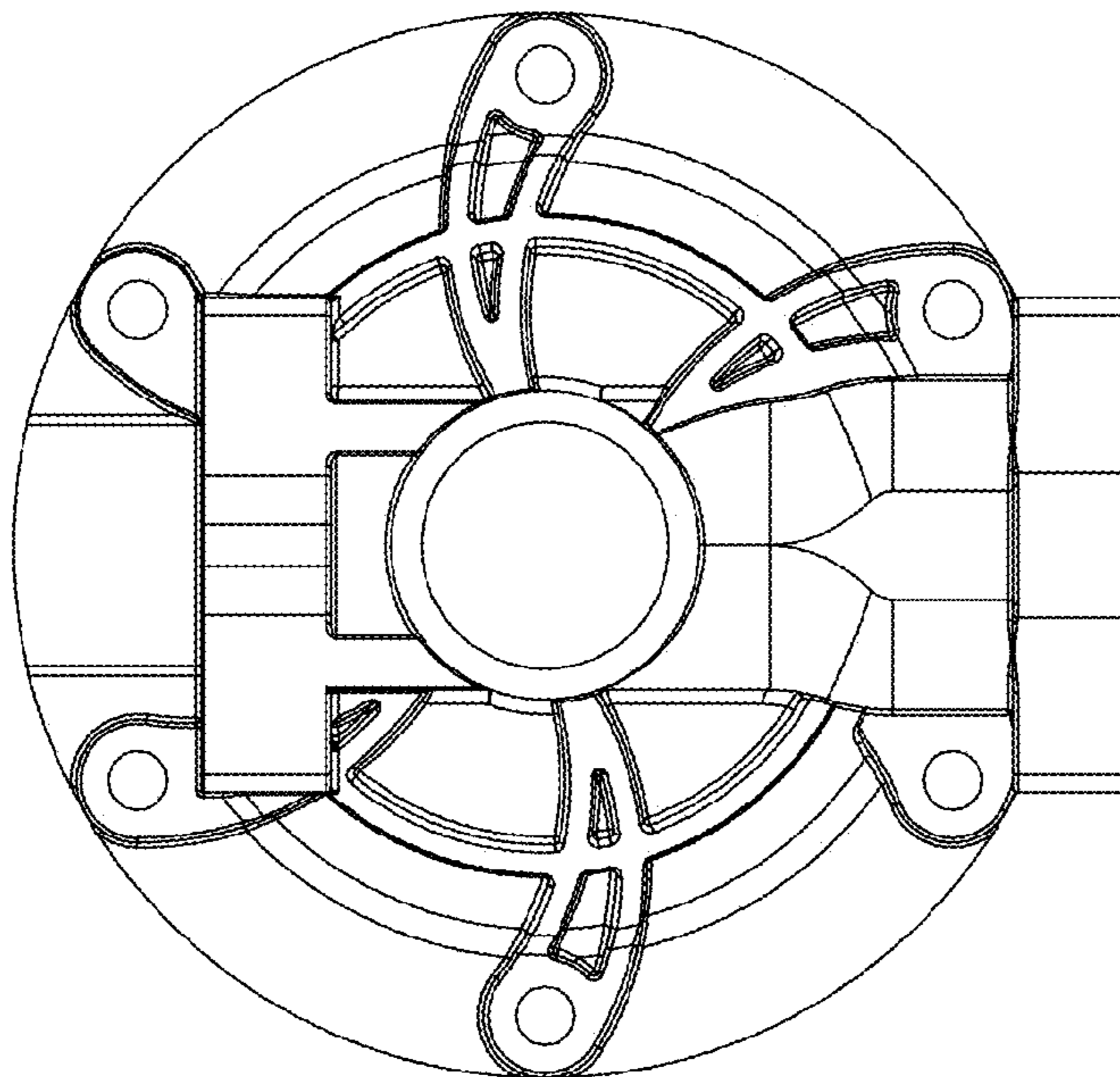


FIGURE 5



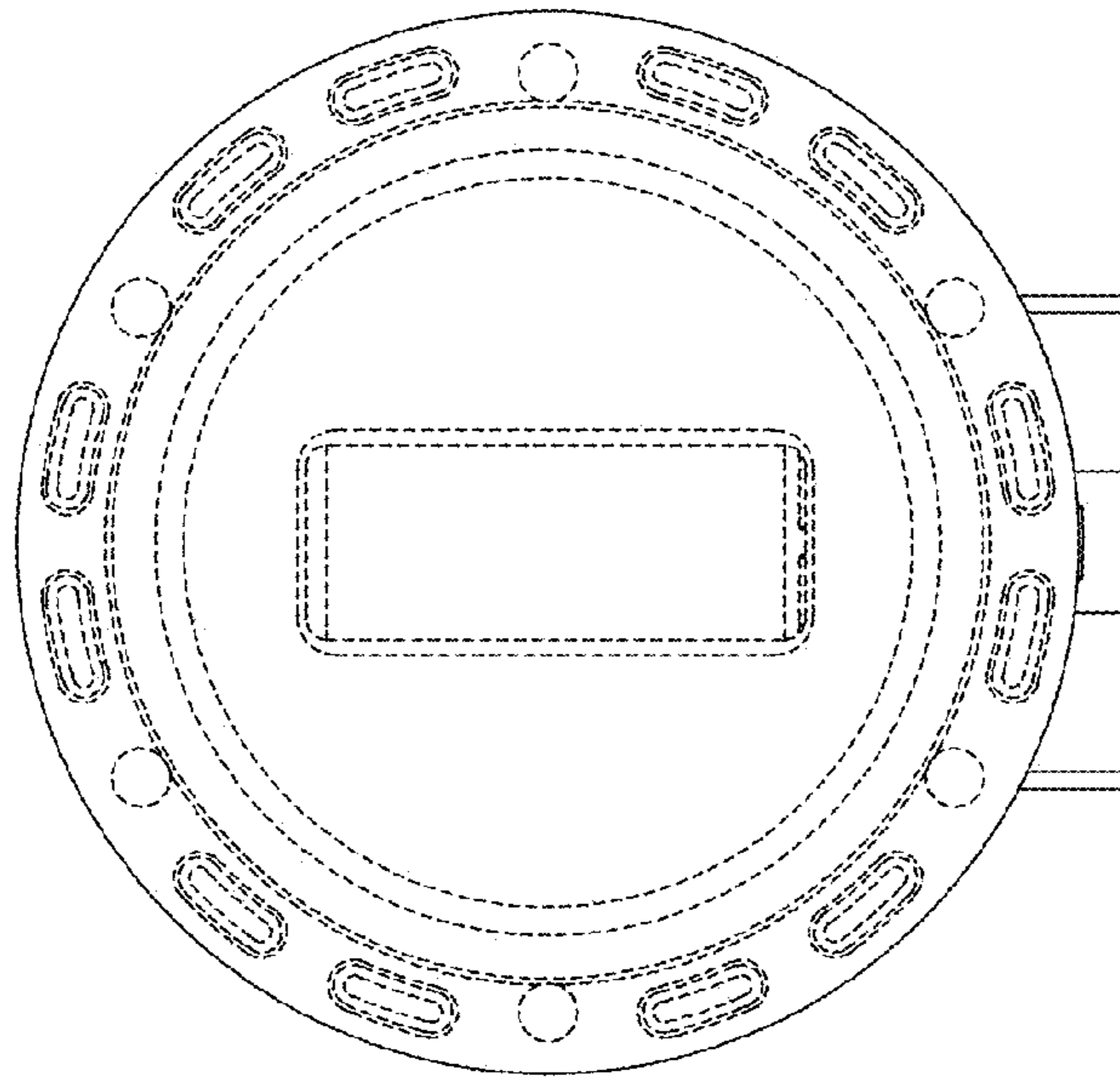


FIGURE 6

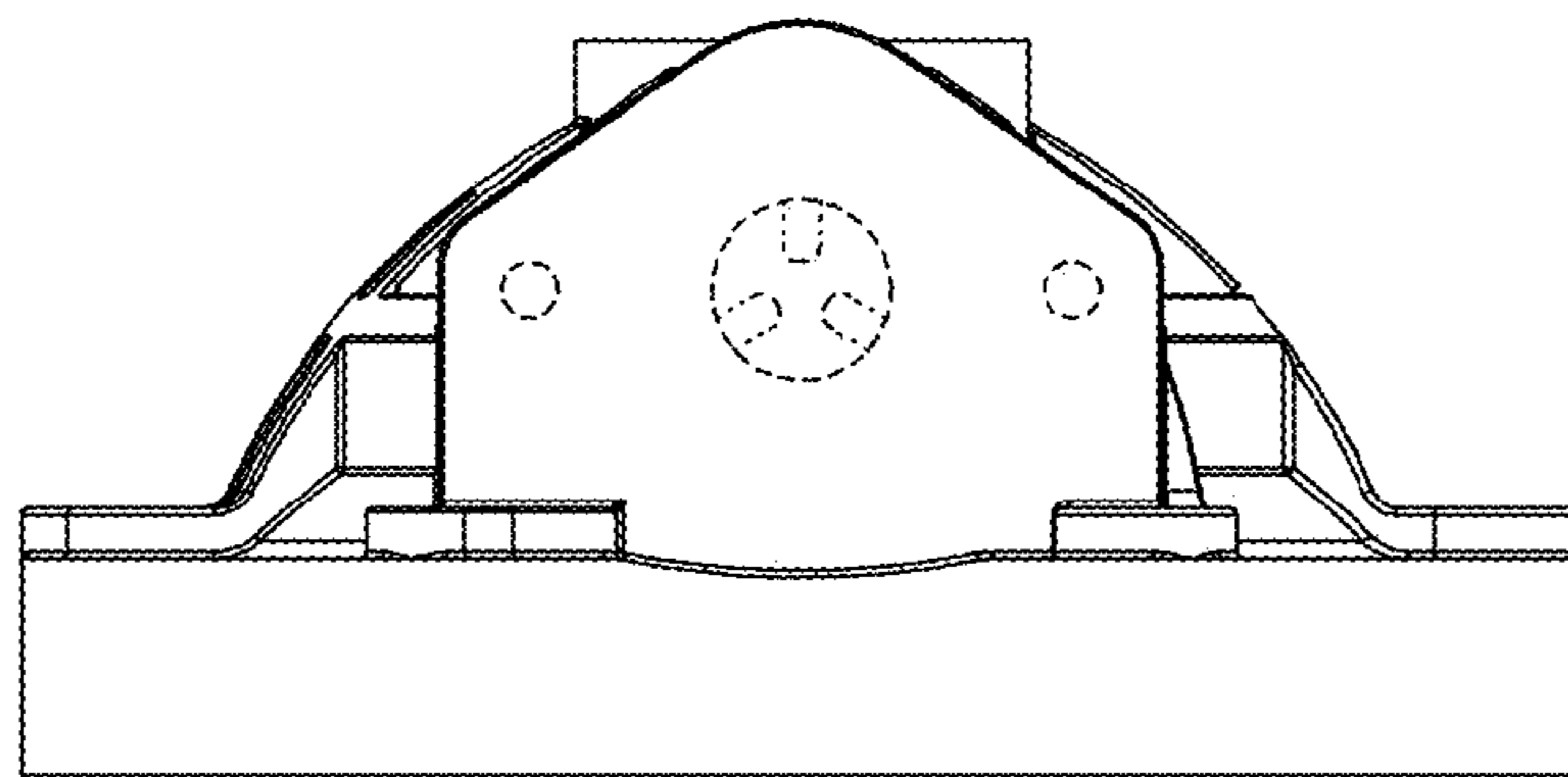


FIGURE 7



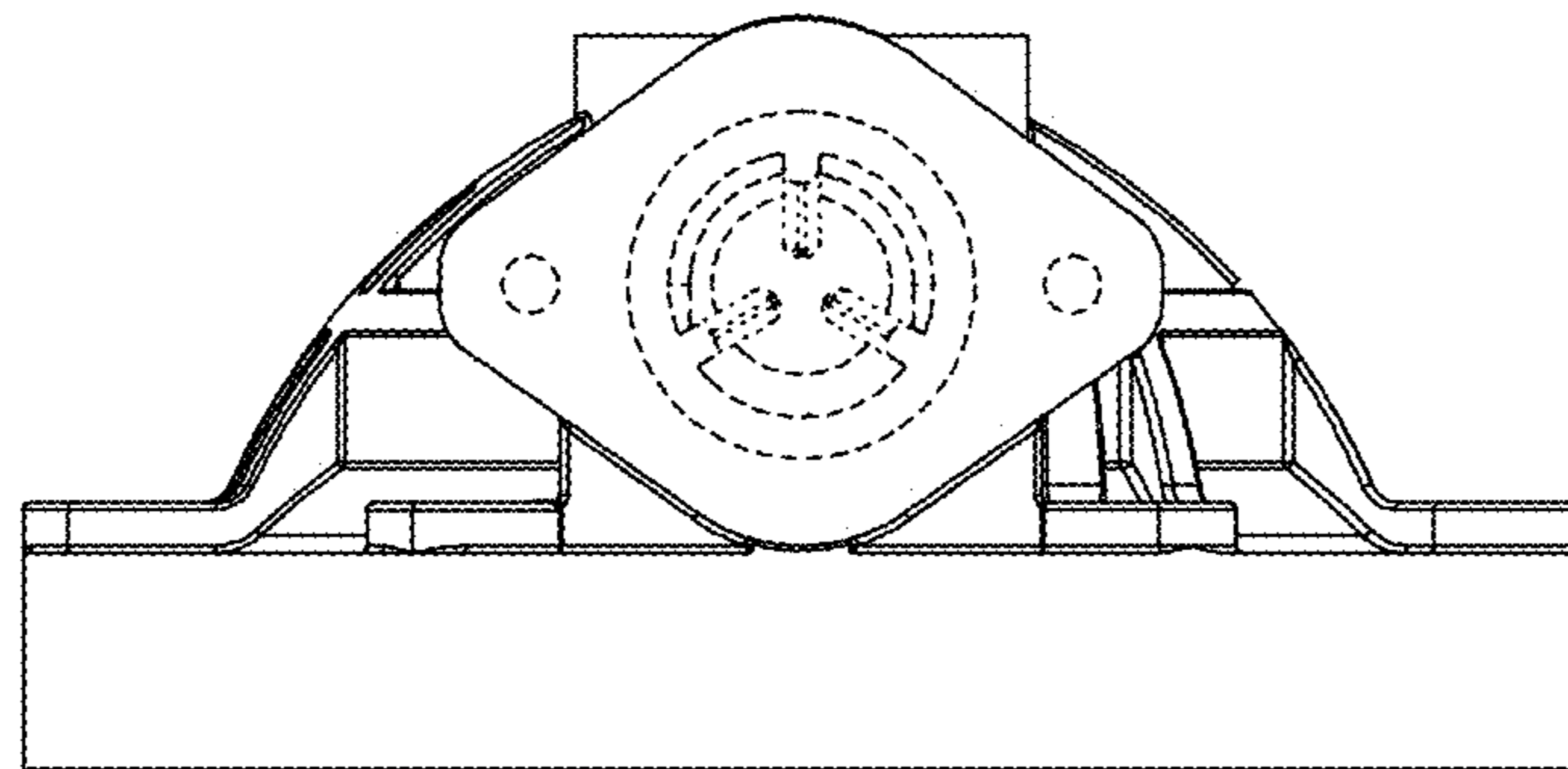


FIGURE 8

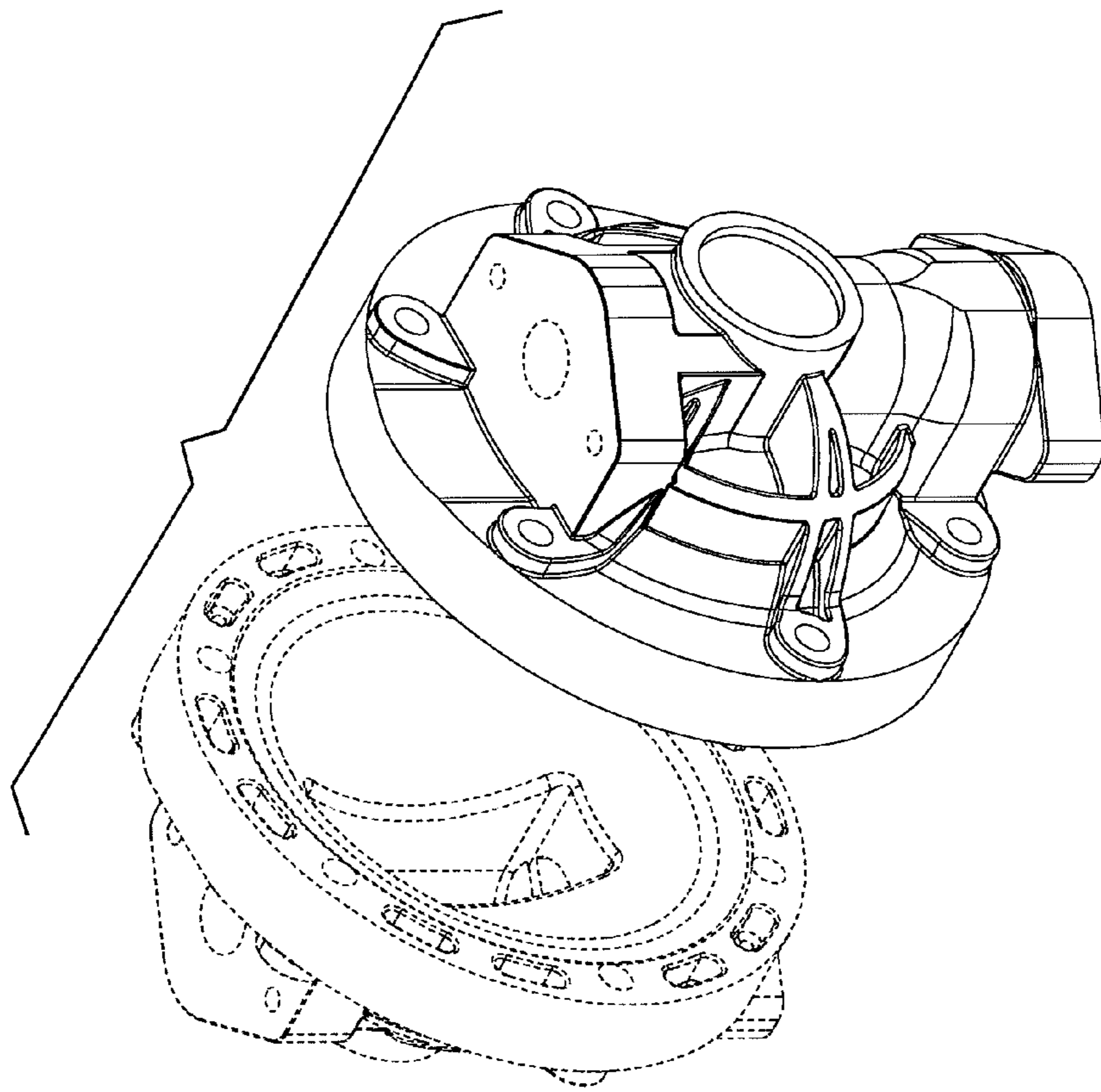


FIGURE 9

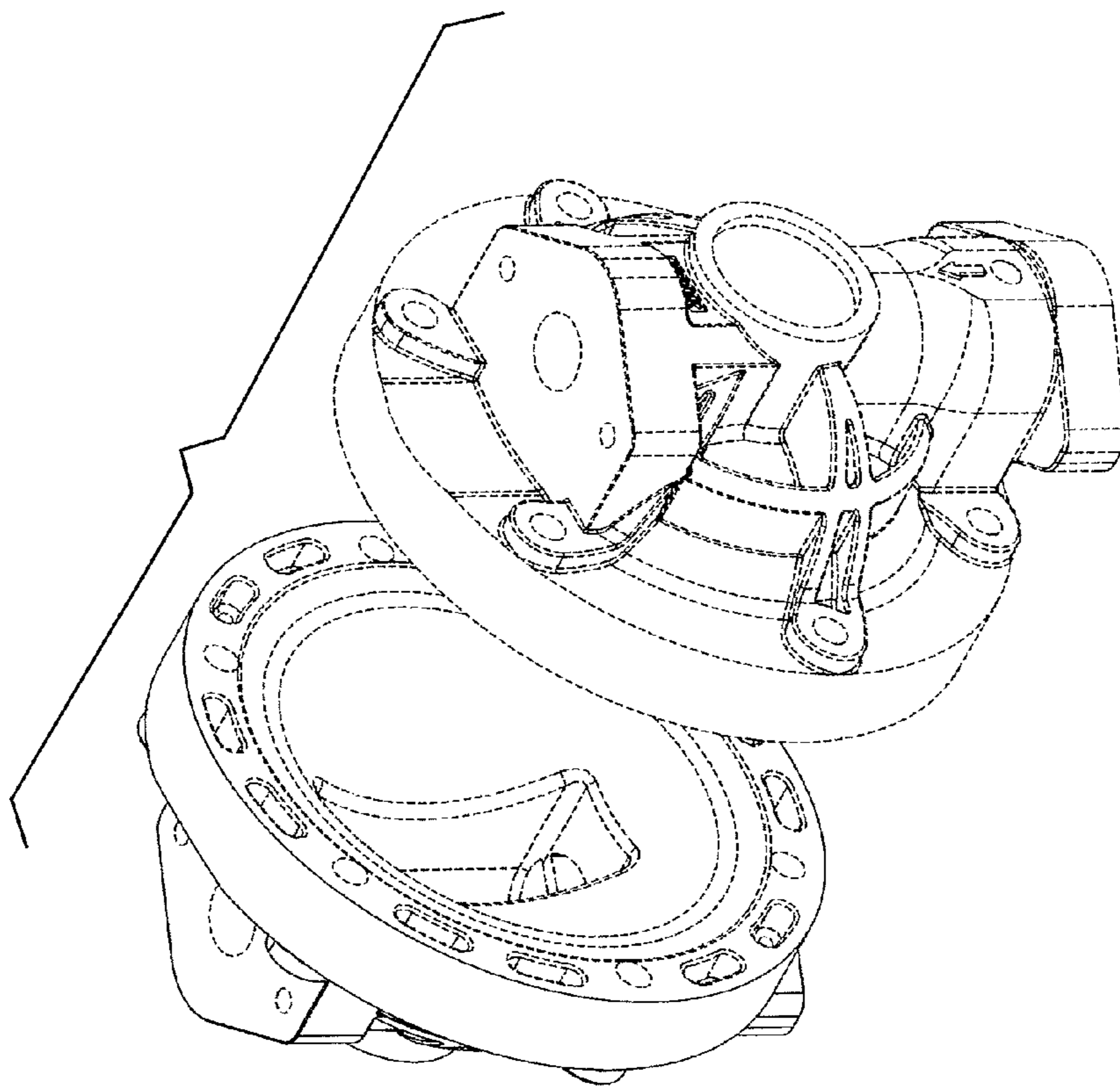


FIGURE 10

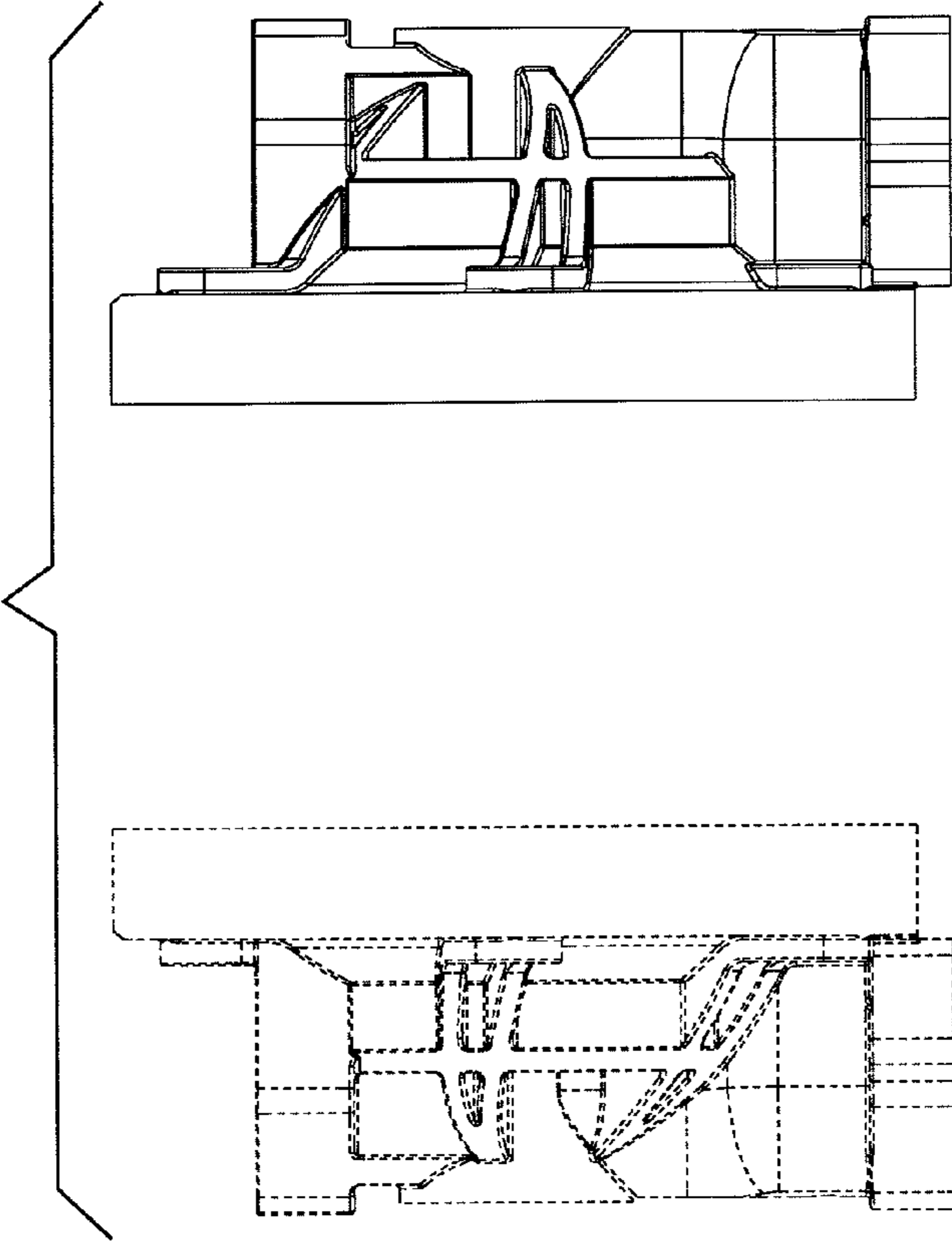


FIGURE 11

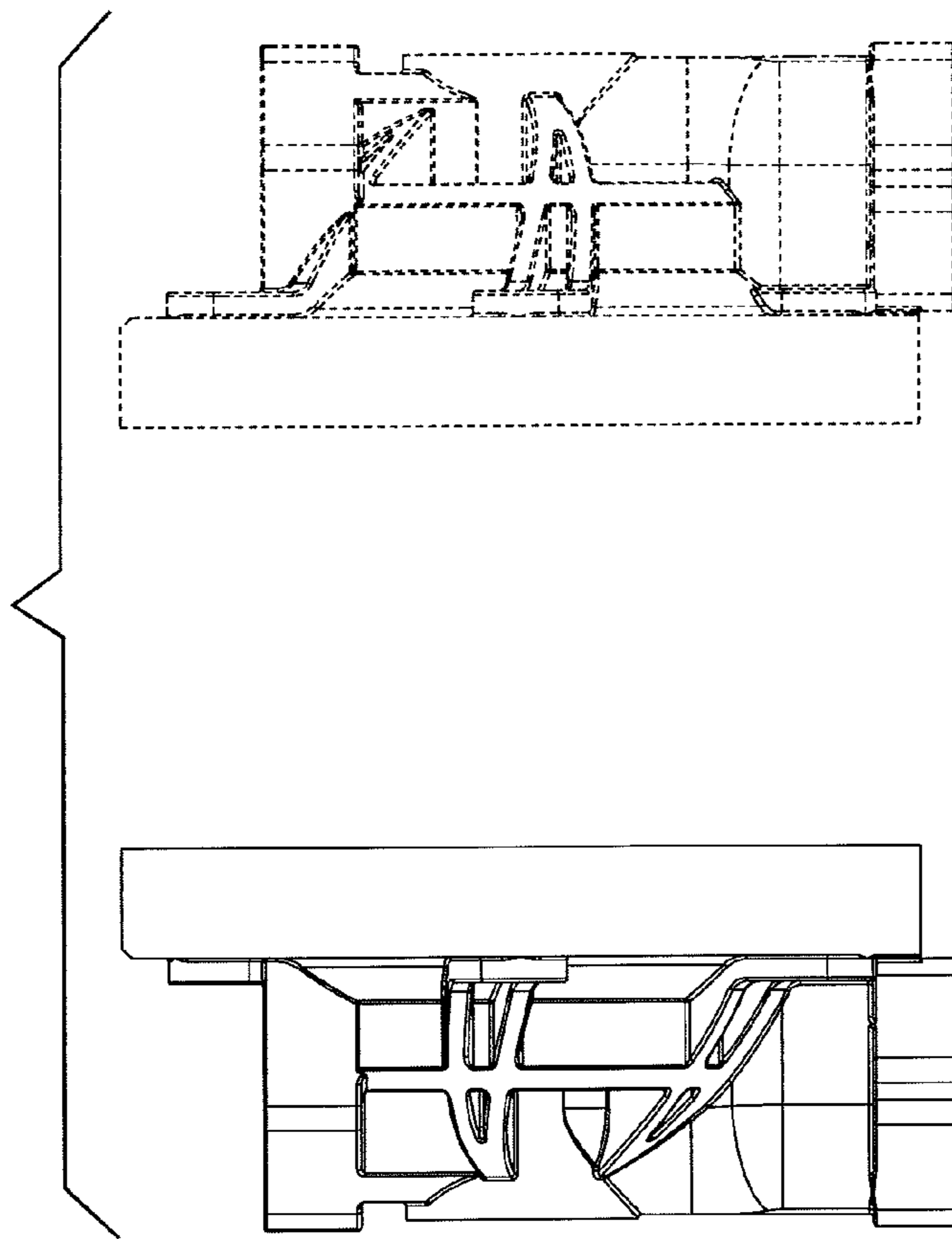


FIGURE 12

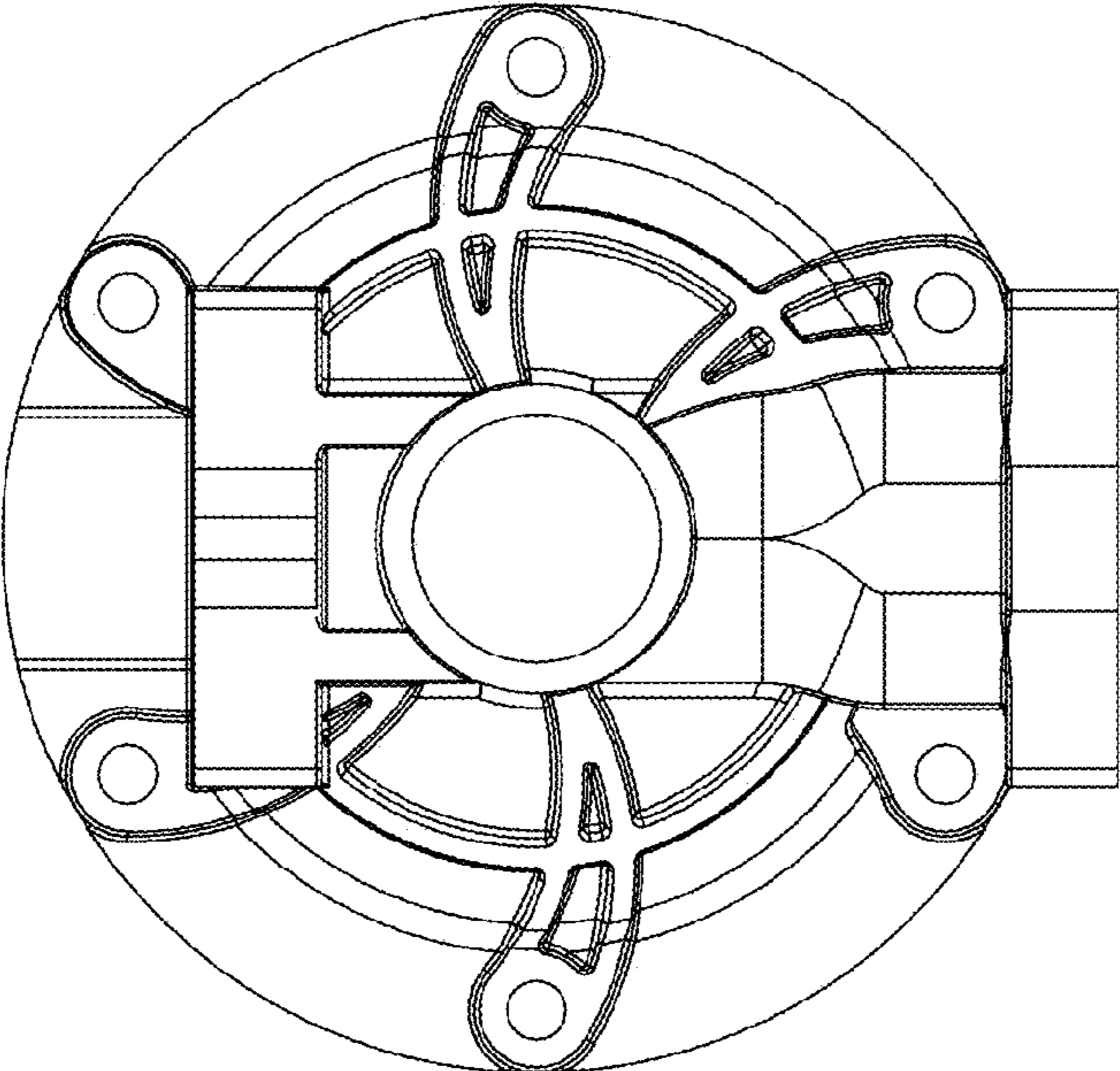


FIGURE 13



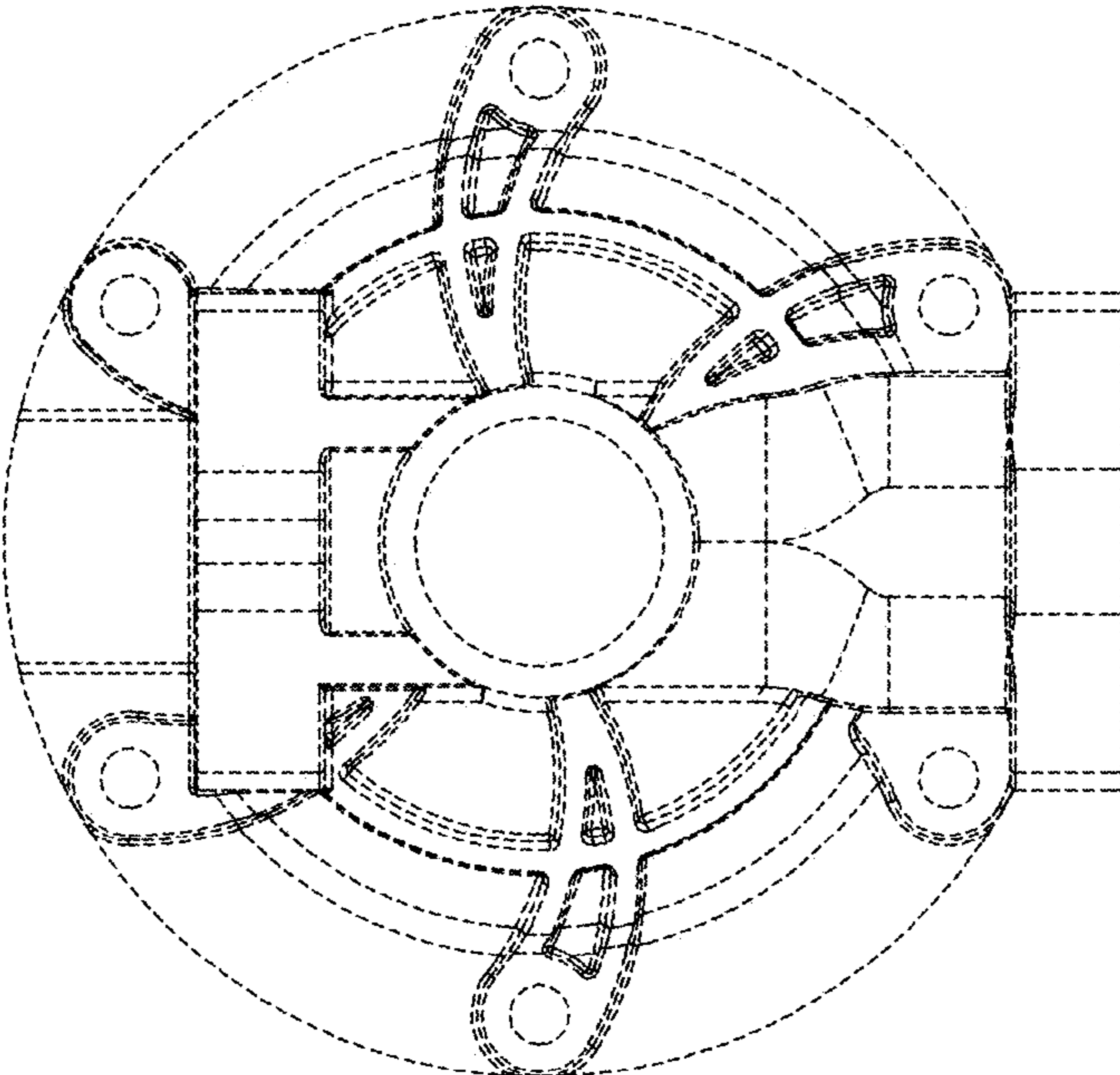


FIGURE 14

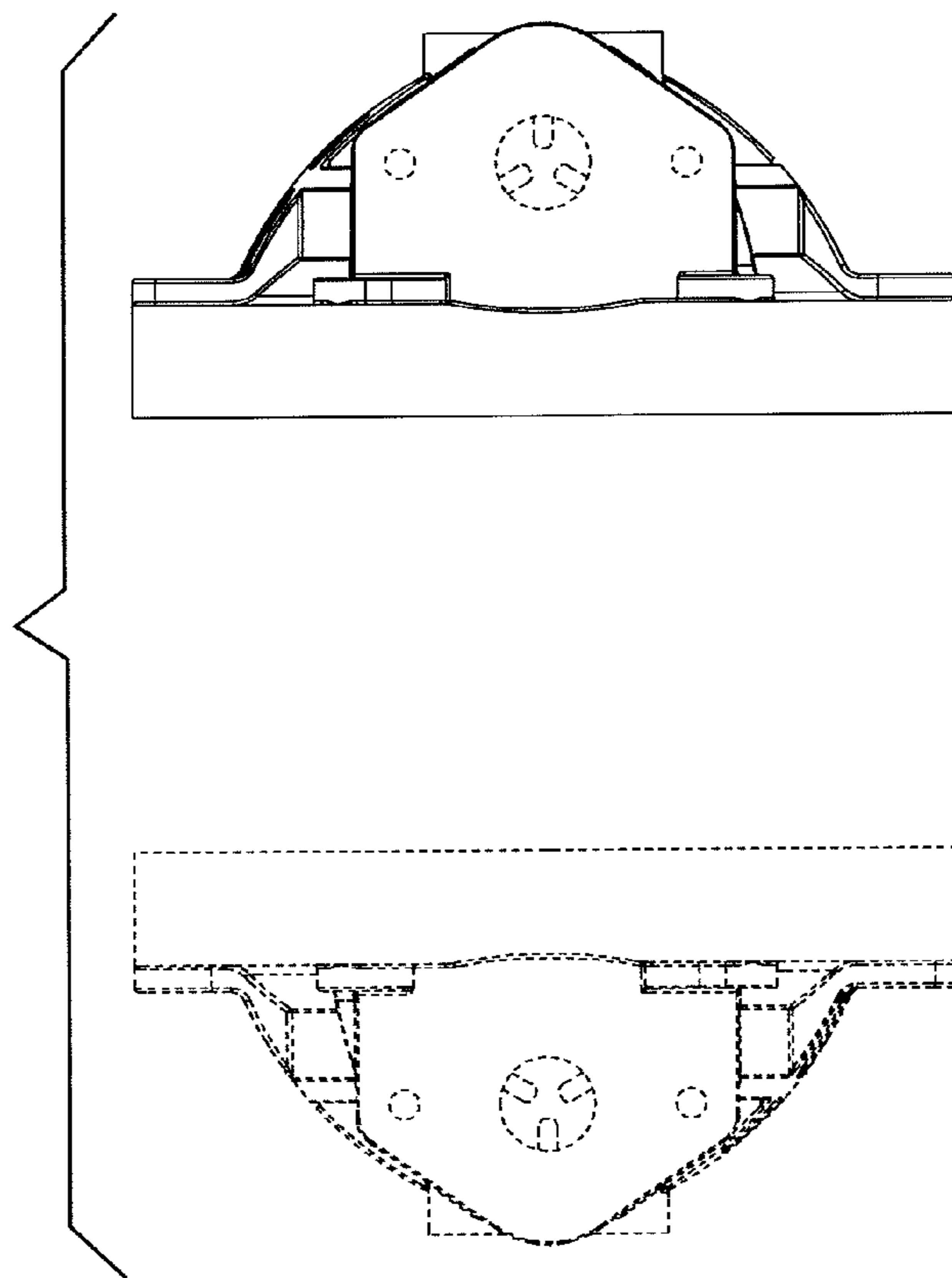


FIGURE 15

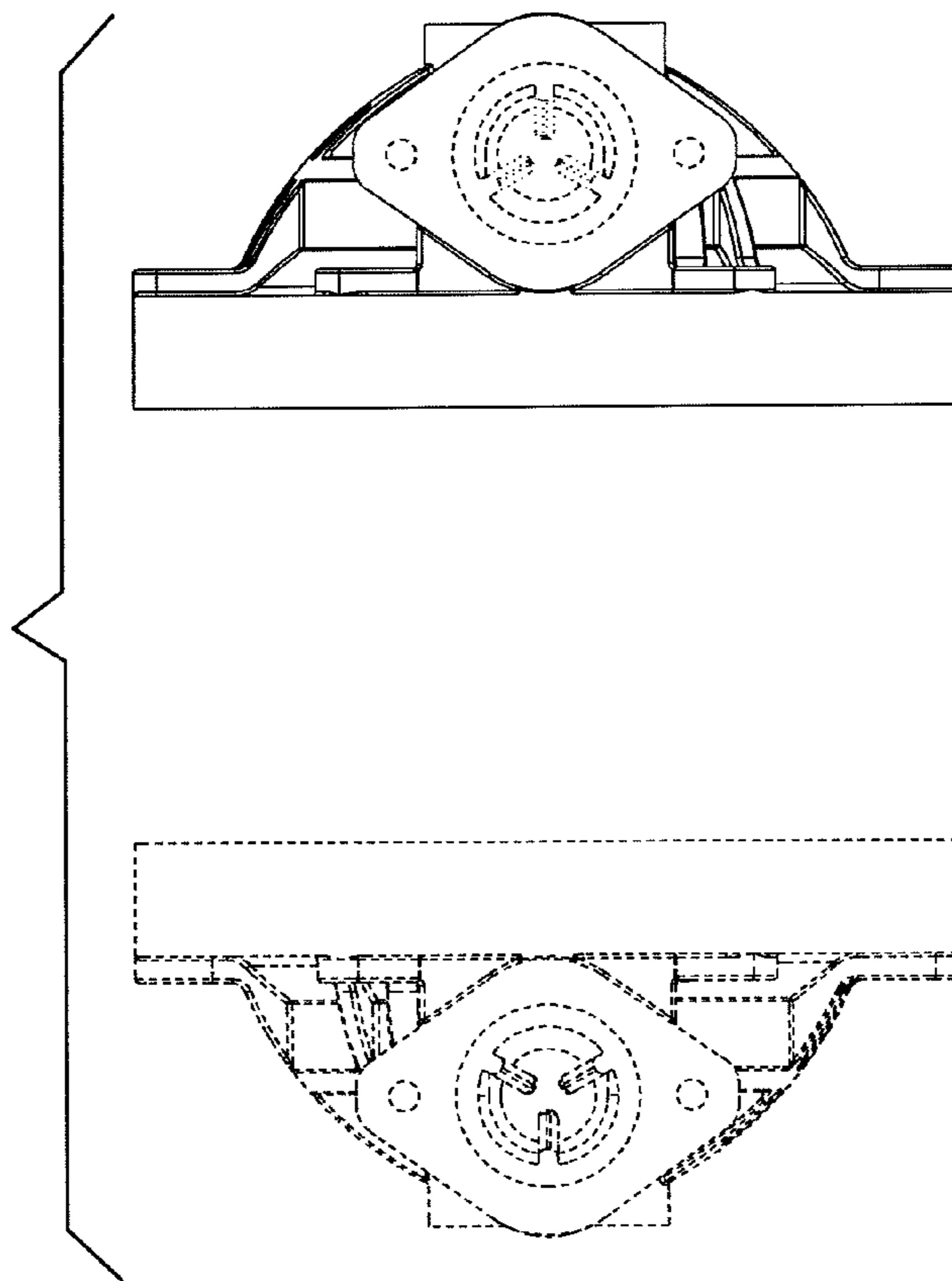


FIGURE 16

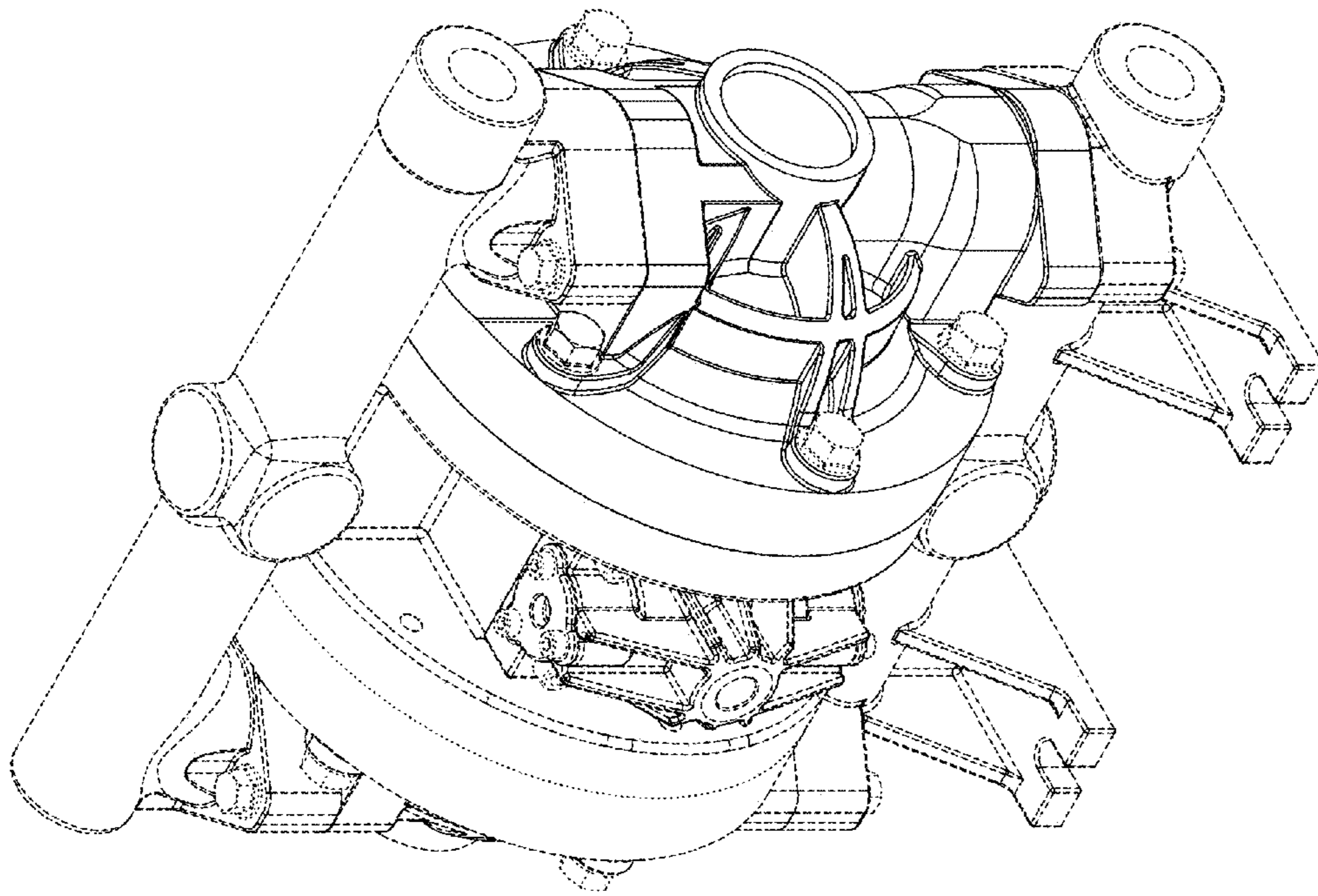


FIGURE 17

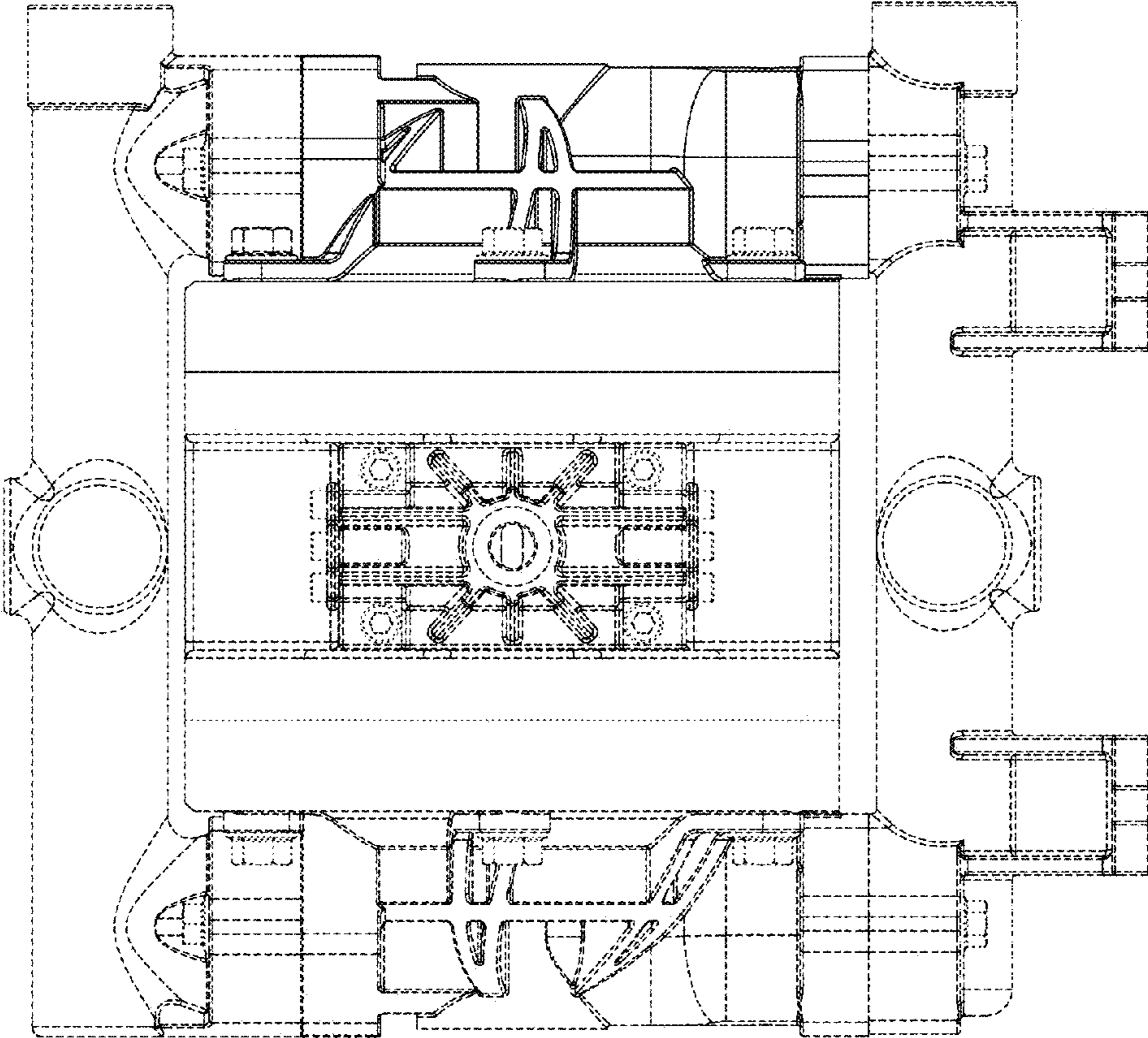


FIGURE 18

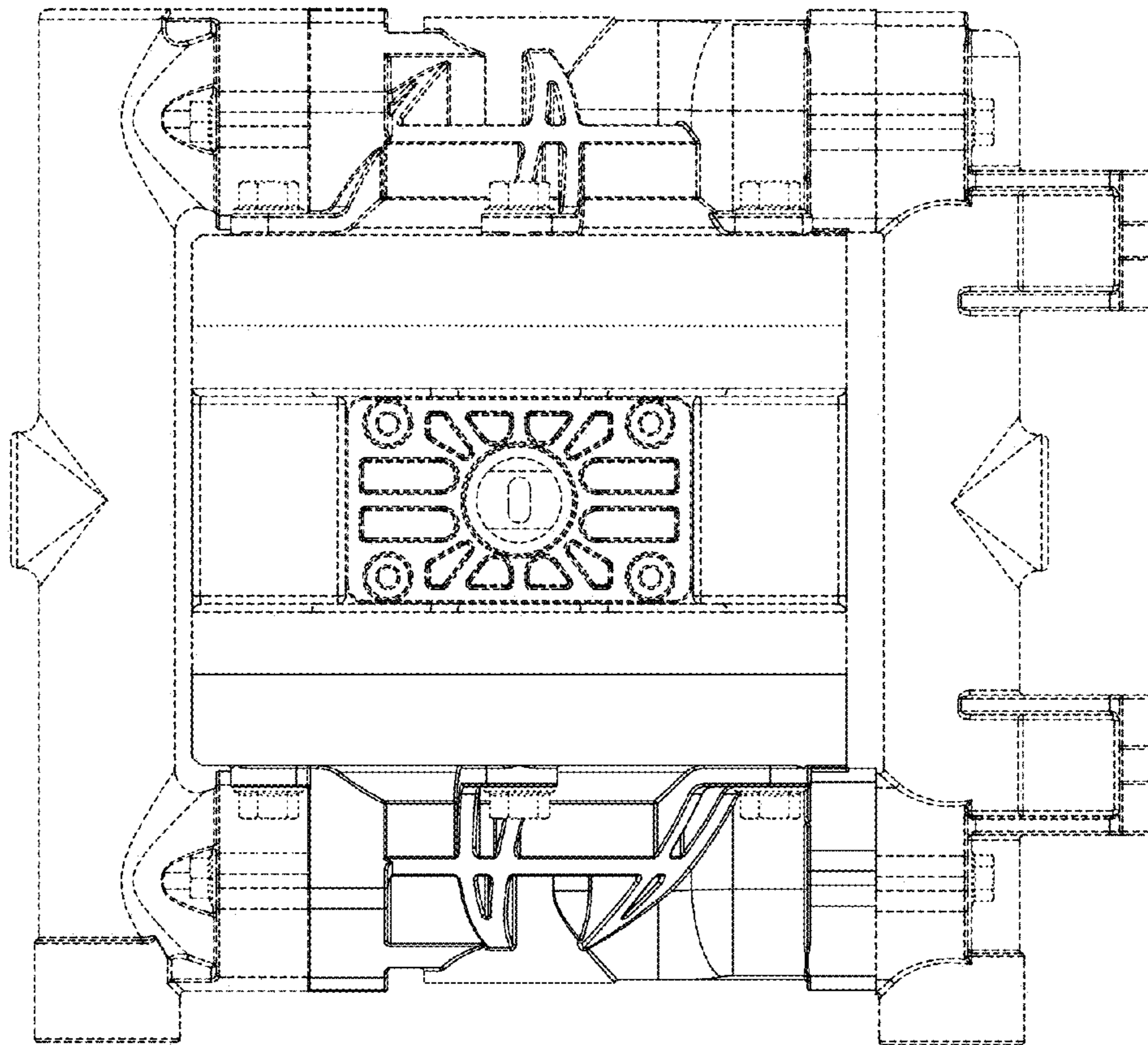


FIGURE 19



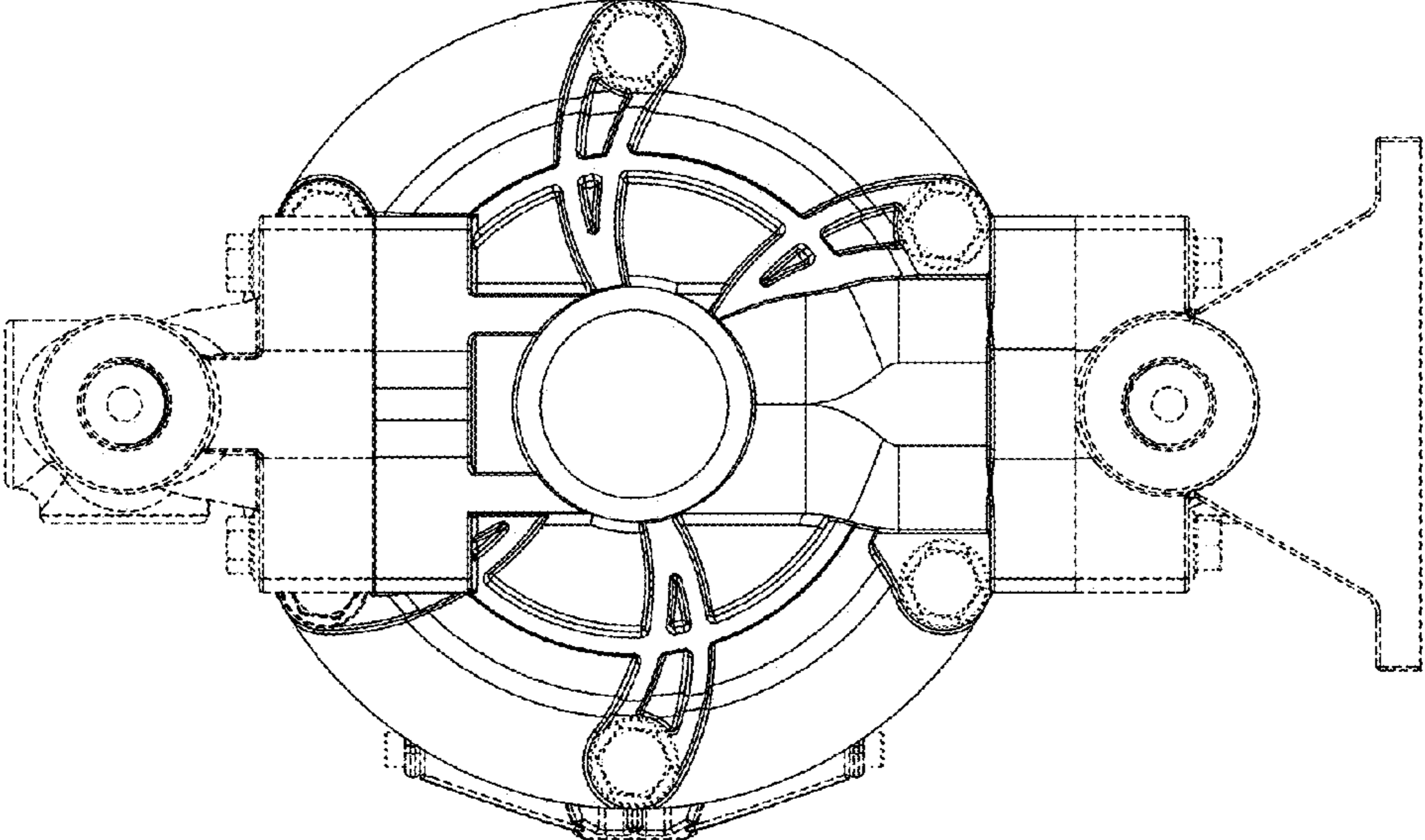


FIGURE 20

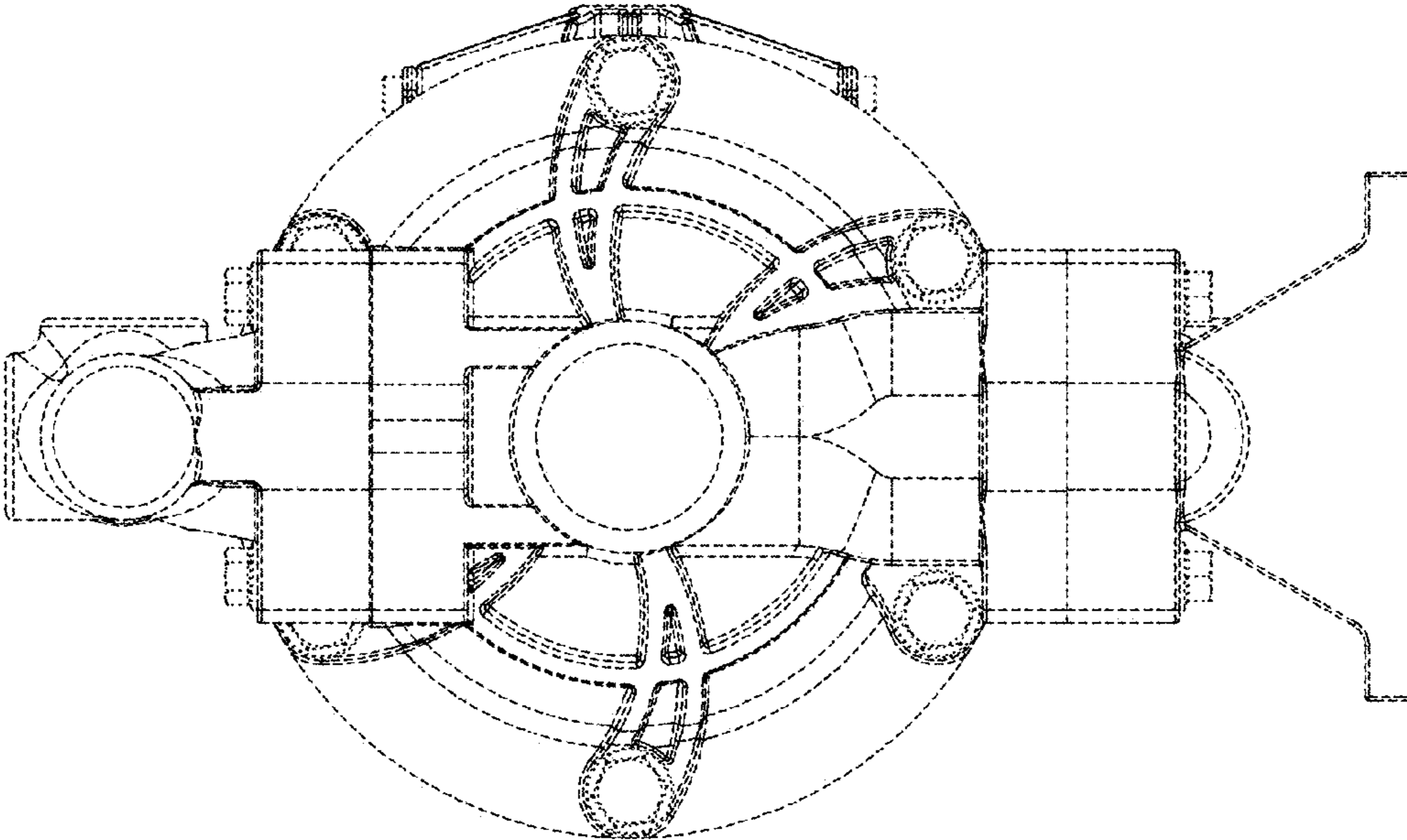


FIGURE 21

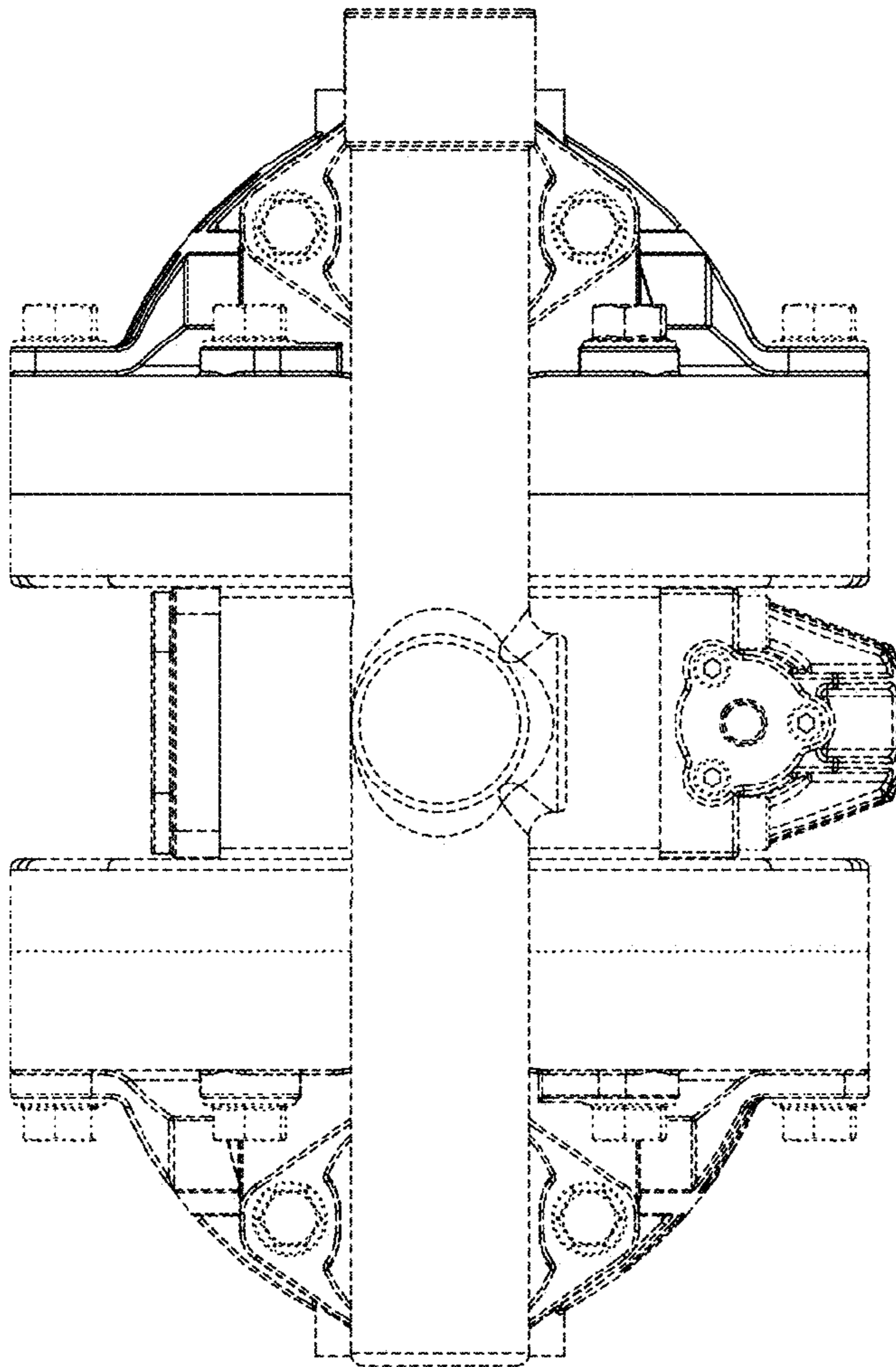


FIGURE 22

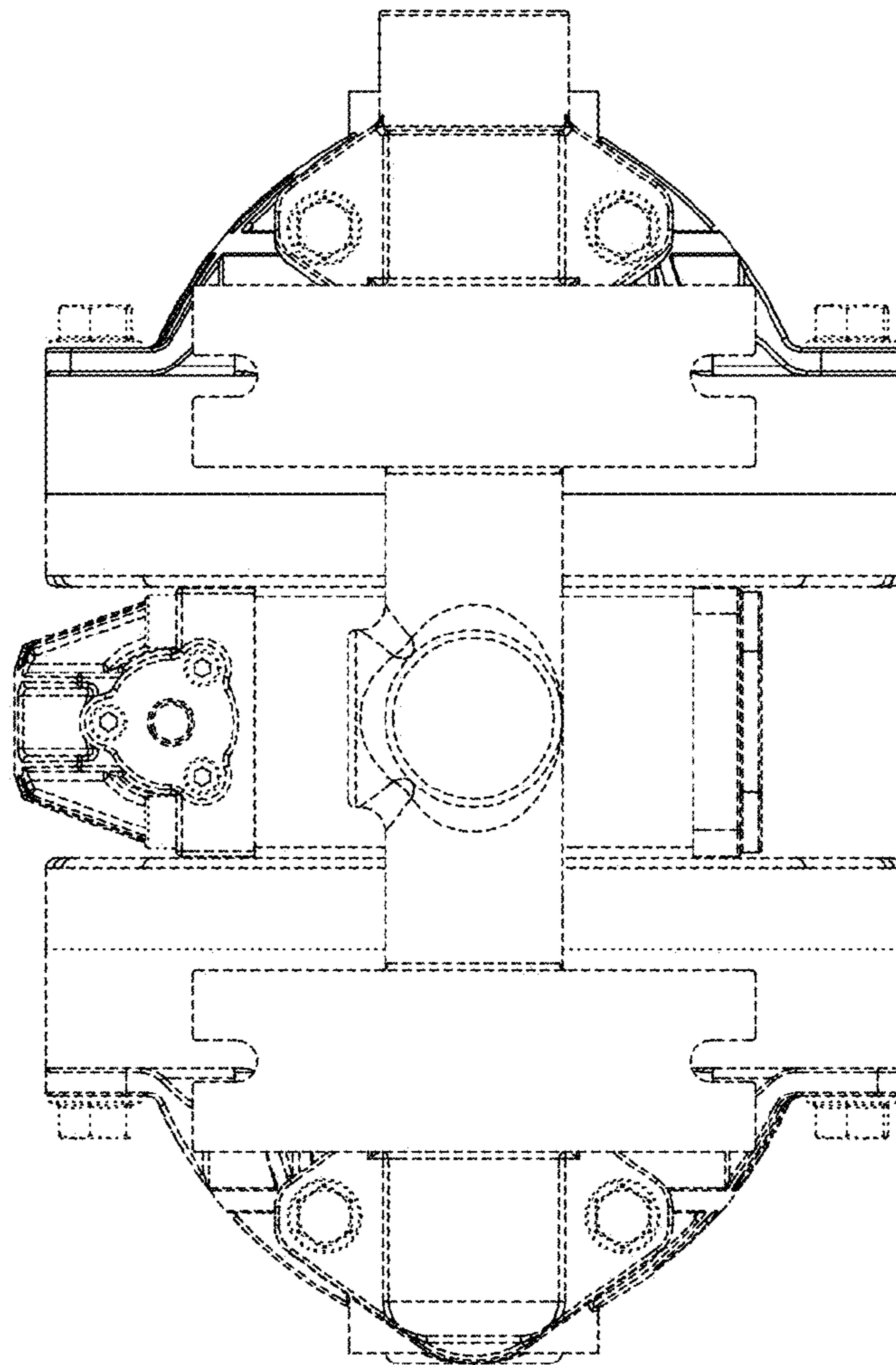


FIGURE 23