



US00D746872S

(12) **United States Design Patent**
Davis

(10) **Patent No.:** **US D746,872 S**
(45) **Date of Patent:** **** Jan. 5, 2016**

(54) **CHAMBER FOR A DIAPHRAGM PUMP**

(71) Applicant: **Finish Thompson Inc.**, Erie, PA (US)

(72) Inventor: **Matthew A. Davis**, Erie, PA (US)

(73) Assignee: **Finish Thompson Inc.**, Erie, PA (US)

(**) Term: **14 Years**

(21) Appl. No.: **29/515,984**

(22) Filed: **Jan. 28, 2015**

(51) **LOC (10) Cl.** **15-02**

(52) **U.S. Cl.**
USPC **D15/7**

(58) **Field of Classification Search**

USPC D15/7-9; D23/231, 232, 225; 417/60,
417/235, 265, 321, 355, 358, 363, 359,
417/410.1, 415-416, 405, 900; 60/408,
60/412; 184/26-37; 415/140-147;
123/495, 509; 137/565.34
CPC F02M 37/04; F02M 37/14
See application file for complete search history.

(56) **References Cited**

U.S. PATENT DOCUMENTS

D268,413	S	*	3/1983	Wilden	D15/7
D275,858	S	*	10/1984	Wilden	D15/7
D291,319	S	*	8/1987	Hicks	D15/7
D294,946	S	*	3/1988	Wilden	D15/7
D294,947	S	*	3/1988	Wilden	D15/7
D370,488	S	*	6/1996	Kozumplik et al.	D15/7
D380,218	S	*	6/1997	McKee et al.	D15/7
D388,796	S	*	1/1998	Conti et al.	D15/7
D388,797	S	*	1/1998	Conti et al.	D15/7
D400,210	S	*	10/1998	Reynolds et al.	D15/7
D435,855	S	*	1/2001	Donelson et al.	D15/7
D484,145	S	*	12/2003	Roberts et al.	D15/7
D500,325	S		12/2004	Reynolds et al.		
D515,101	S	*	2/2006	Wiechers et al.	D15/7
D545,326	S		6/2007	Zellers		
D667,465	S	*	9/2012	Headley et al.	D15/7
D674,815	S	*	1/2013	Headley et al.	D15/7
D675,231	S	*	1/2013	Headley et al.	D15/7
D682,316	S	*	5/2013	Rogne et al.	D15/7

* cited by examiner

Primary Examiner — Ralf Seifert

(74) *Attorney, Agent, or Firm* — Leydig, Voit & Mayer Ltd.

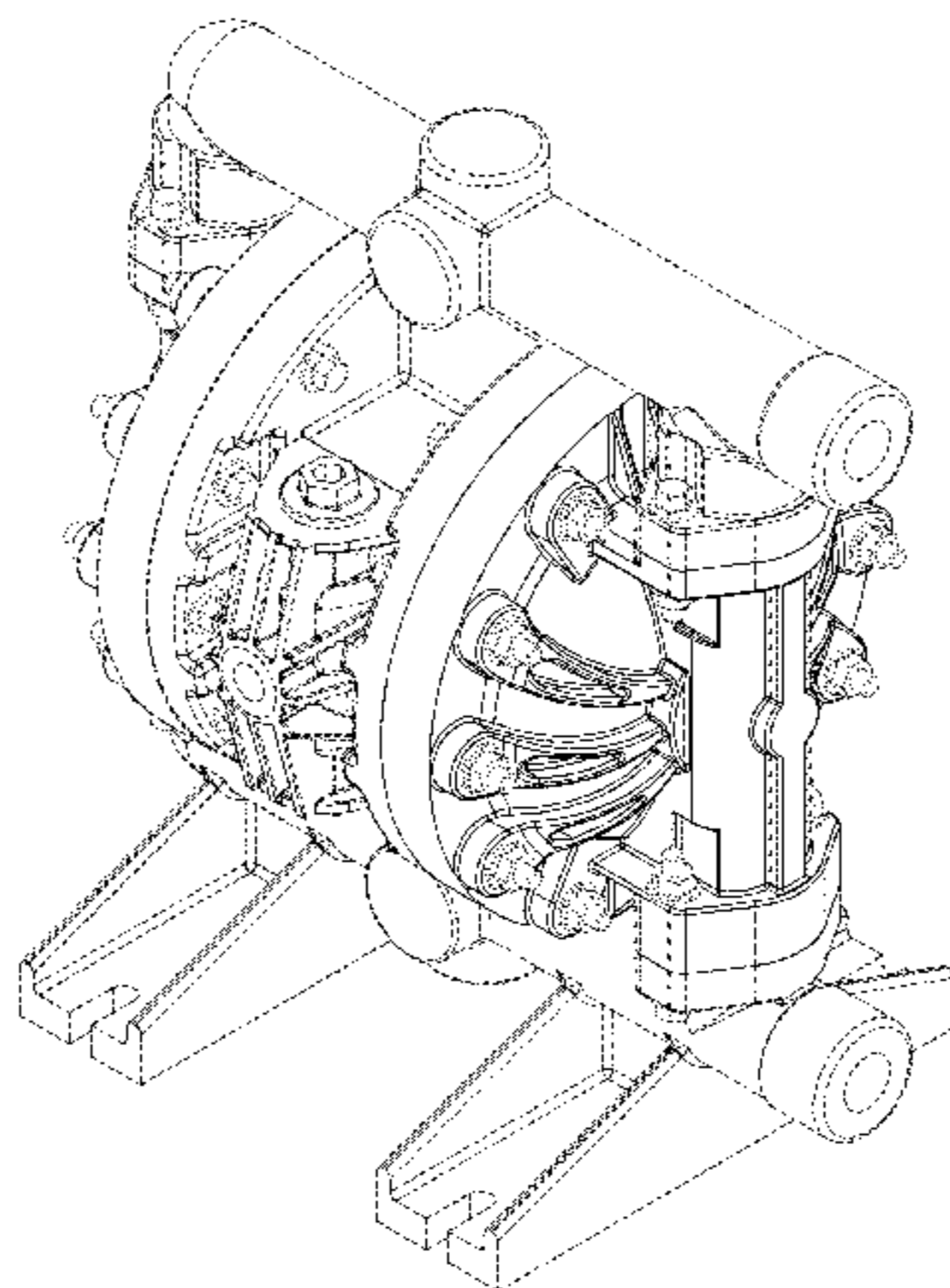
(57) **CLAIM**

The ornamental design for a chamber for a diaphragm pump, as shown and described.

DESCRIPTION

FIG. 1 is a front perspective view of a chamber for a diaphragm pump showing the claimed design;
 FIG. 2 is a rear perspective view thereof;
 FIG. 3 is a front view thereof;
 FIG. 4 is a rear view thereof;
 FIG. 5 is a right side view thereof;
 FIG. 6 is a left side view thereof;
 FIG. 7 is a top view thereof; and
 FIG. 8 is a bottom view thereof.
 FIG. 9 is a front perspective view of the chamber for the diaphragm pump shown in FIG. 1 shown in relation to a second chamber for the diaphragm pump;
 FIG. 10 is a rear perspective view thereof;
 FIG. 11 is a front view thereof;
 FIG. 12 is a rear view thereof;
 FIG. 13 is a right side view thereof;
 FIG. 14 is a left side view thereof;
 FIG. 15 is a top view thereof; and
 FIG. 16 is a bottom view thereof.
 FIG. 17 is a front perspective view of a diaphragm pump that includes a chamber for the diaphragm pump as shown in FIG. 1;
 FIG. 18 is a front view thereof;
 FIG. 19 is a rear view thereof;
 FIG. 20 is a right side view thereof;
 FIG. 21 is a left side view thereof;
 FIG. 22 is a top view thereof; and
 FIG. 23 is a bottom view thereof.
 The broken line representations are for purposes of illustration only and form no part of the claimed design.

1 Claim, 23 Drawing Sheets



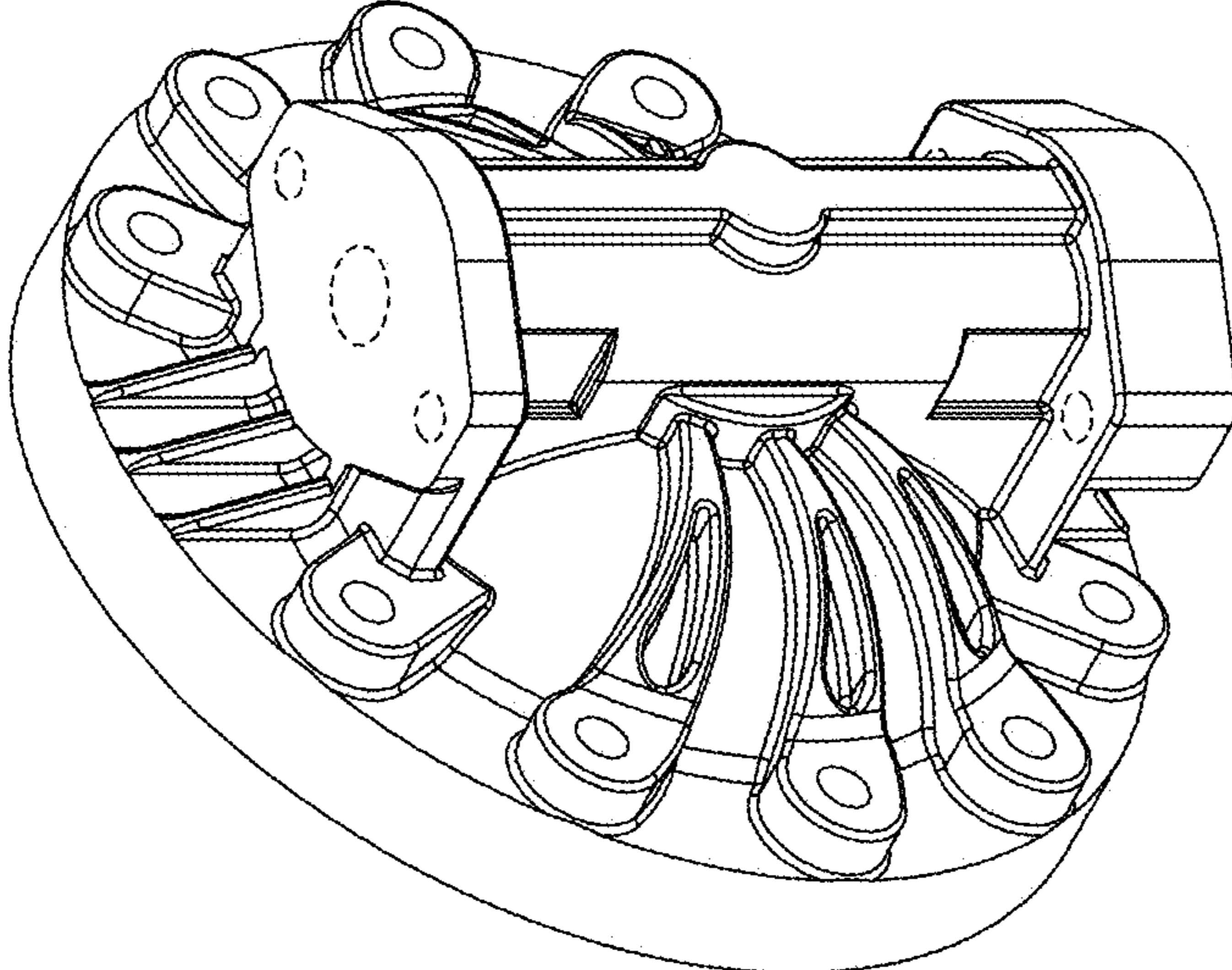


FIGURE 1

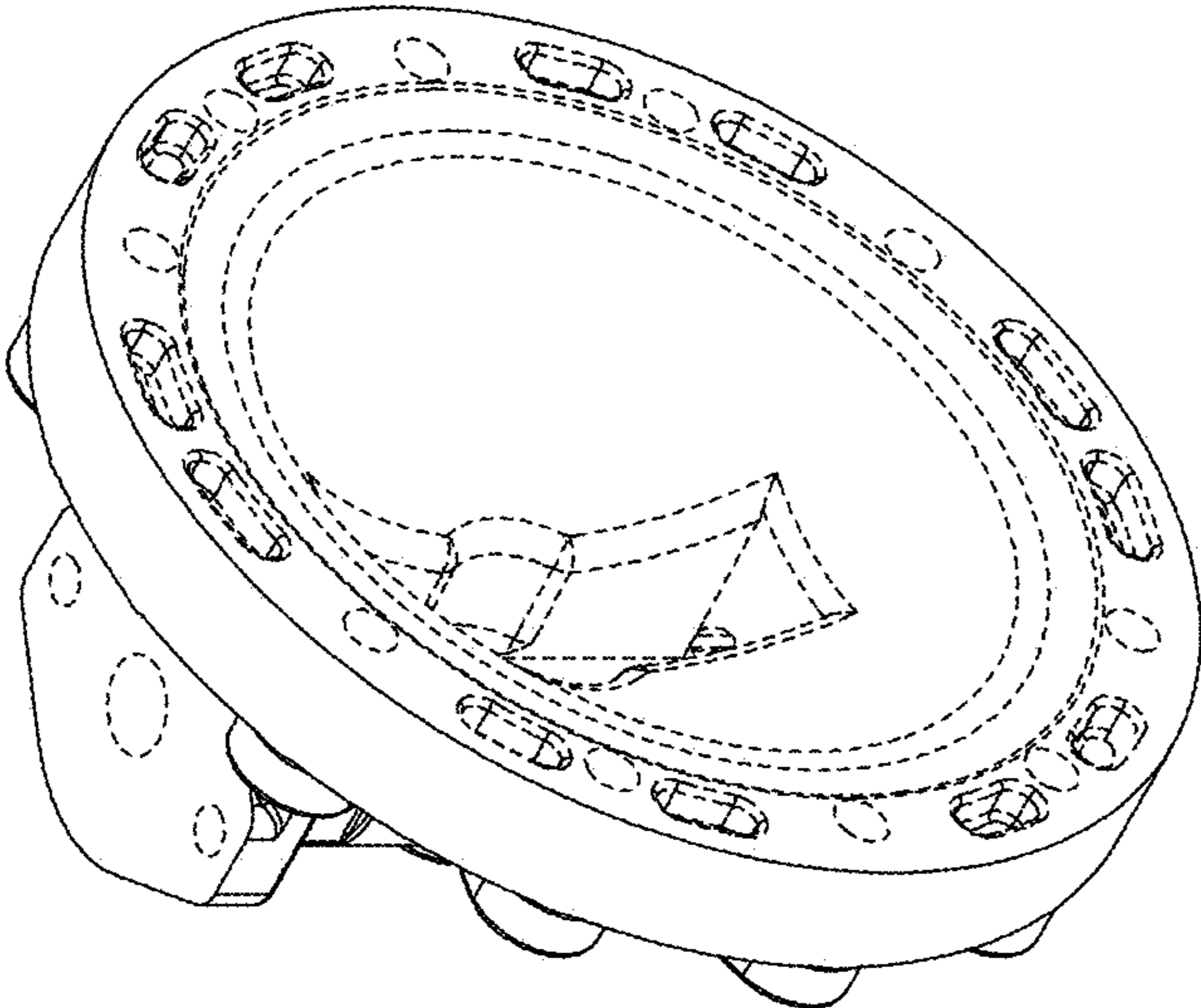


FIGURE 2

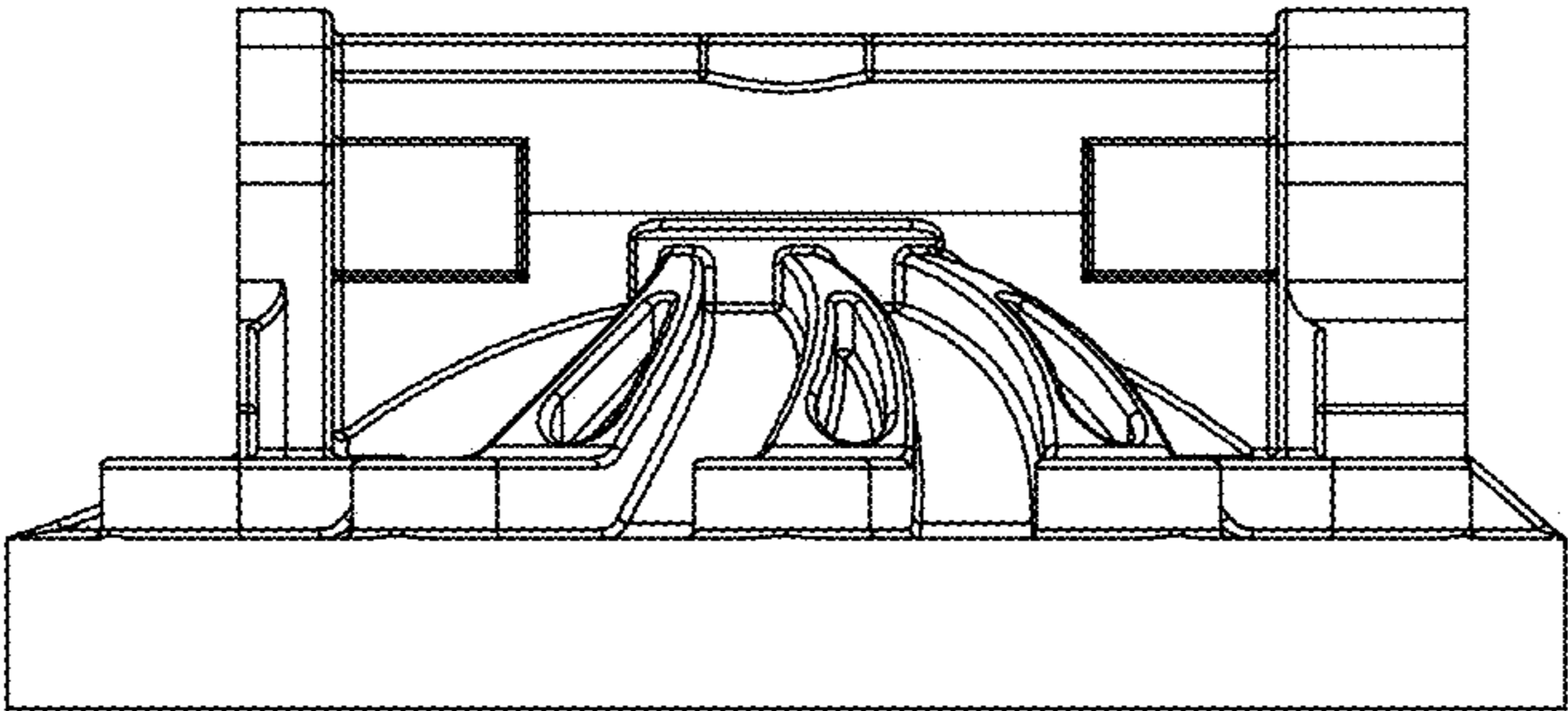


FIGURE 3

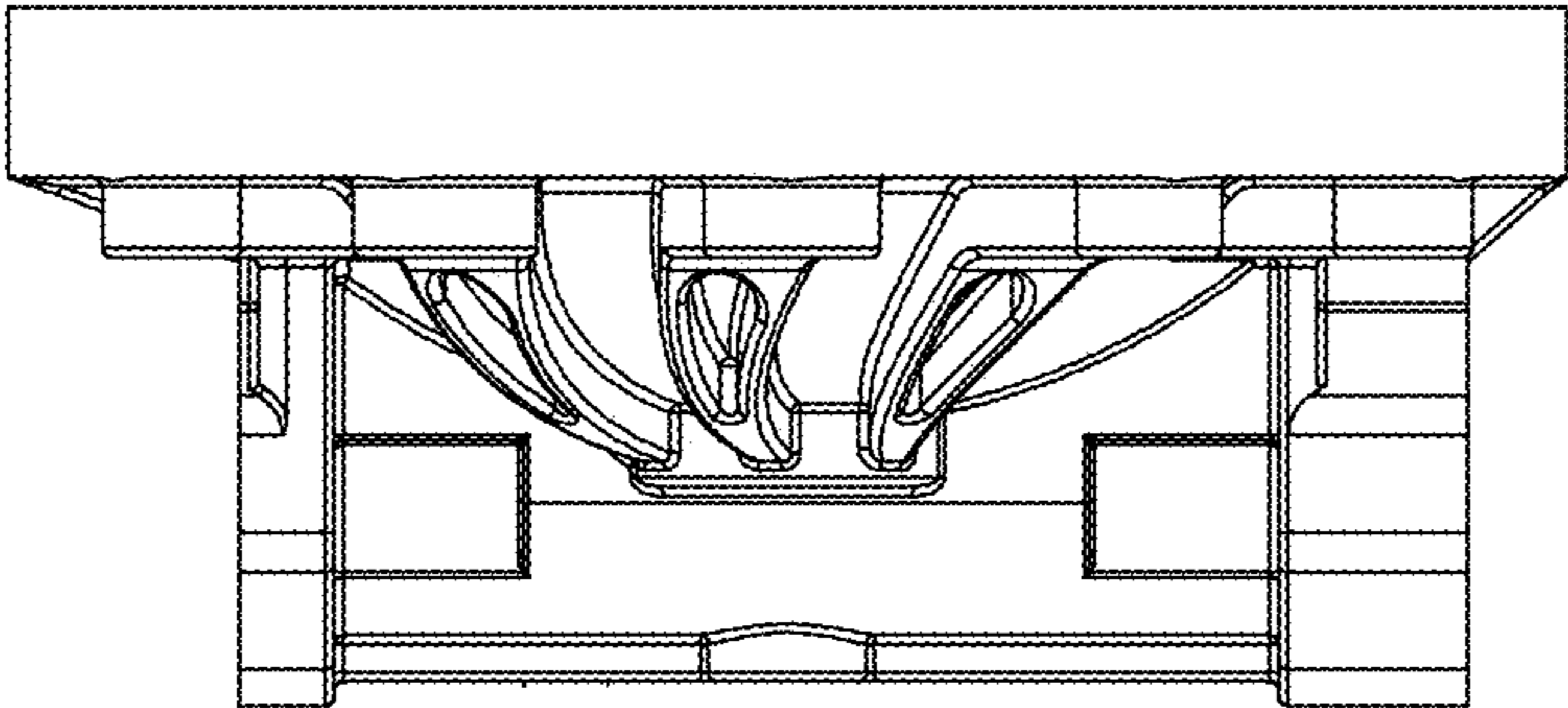


FIGURE 4

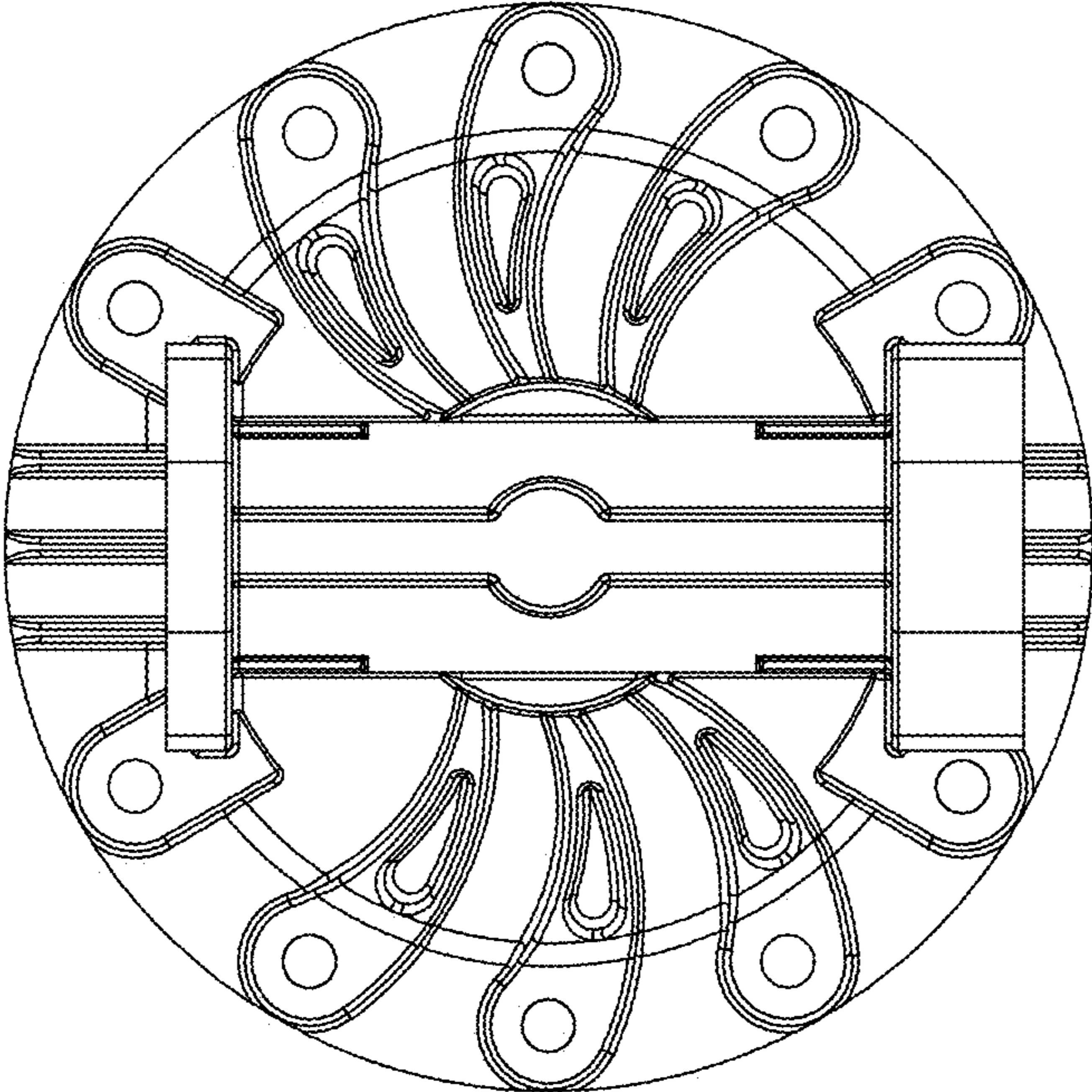


FIGURE 5

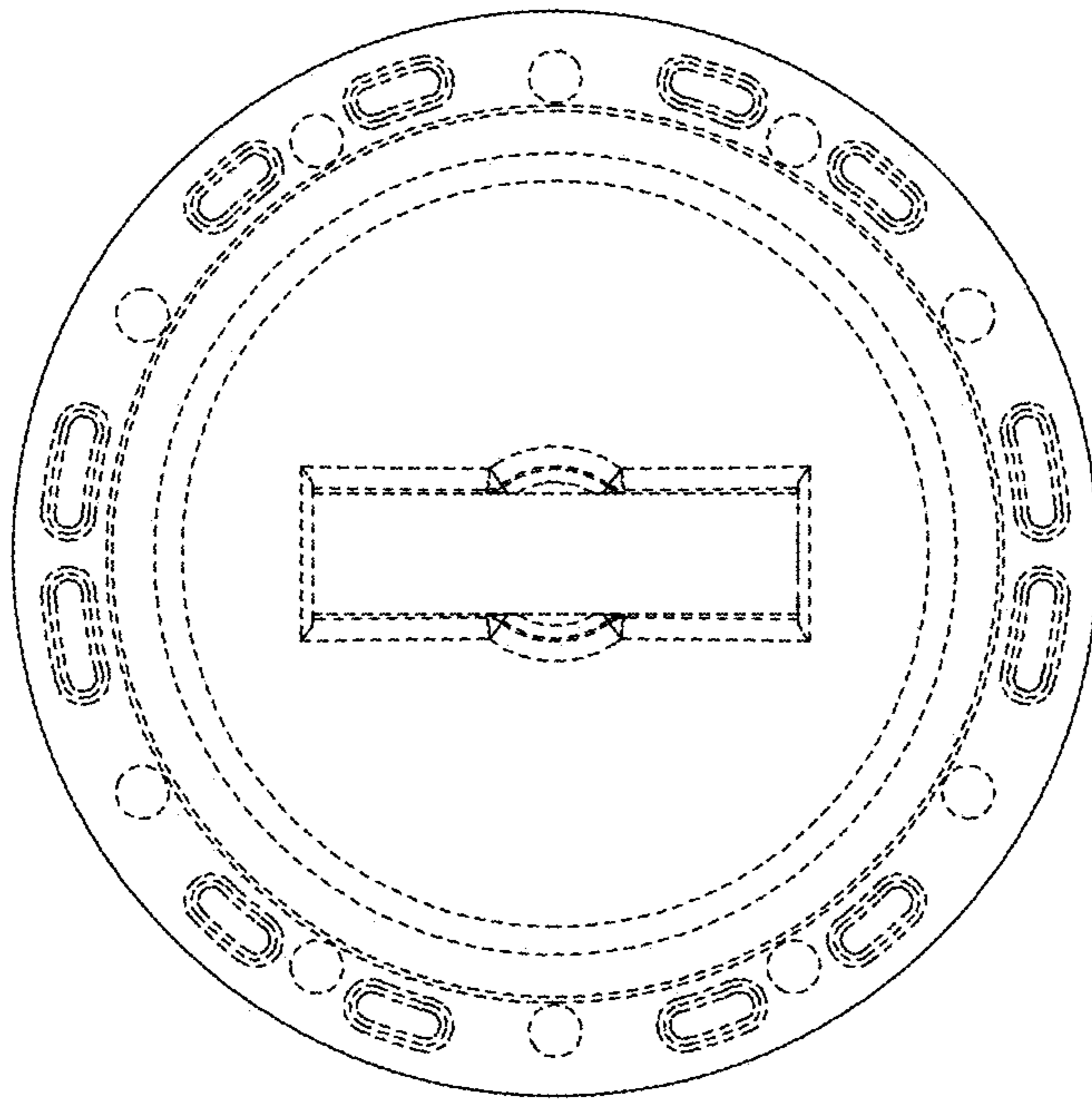


FIGURE 6

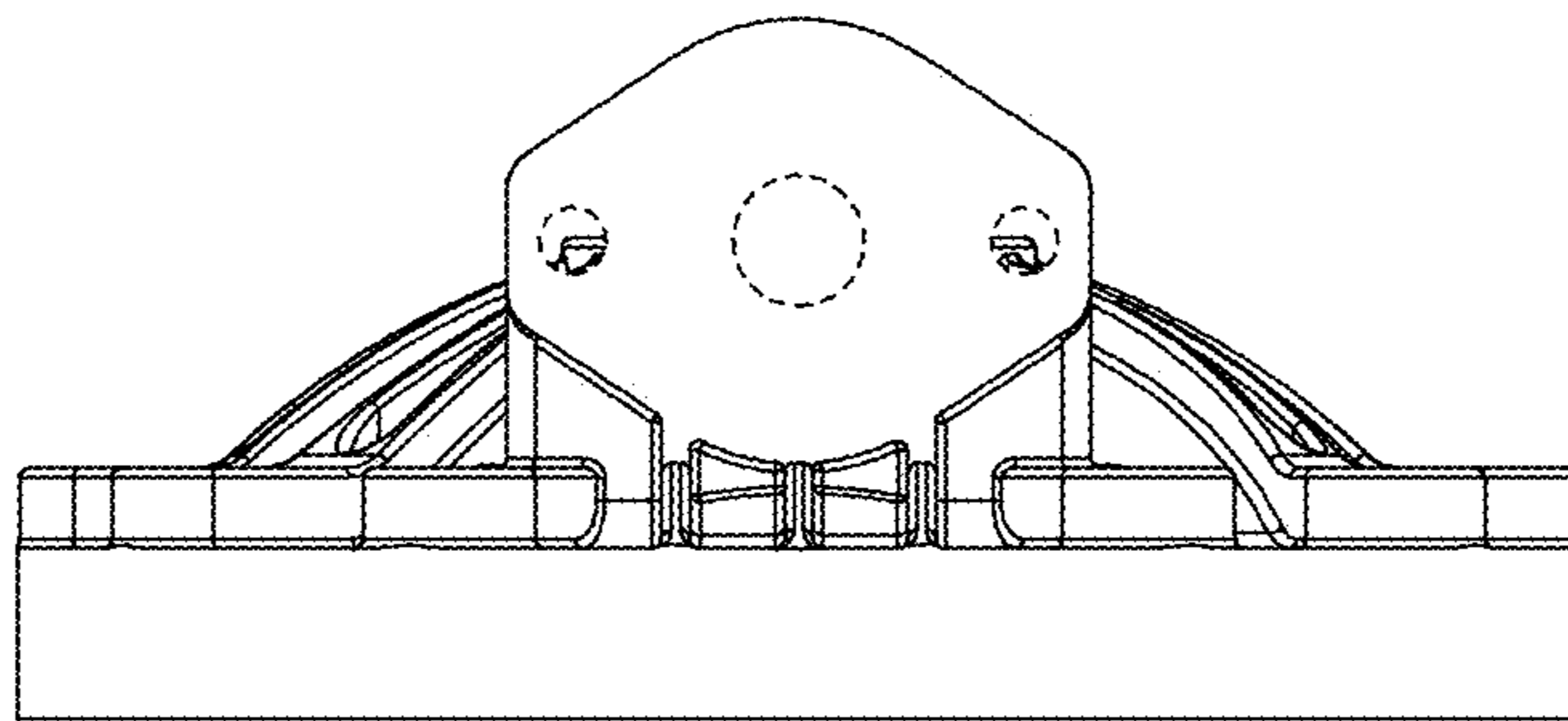


FIGURE 7

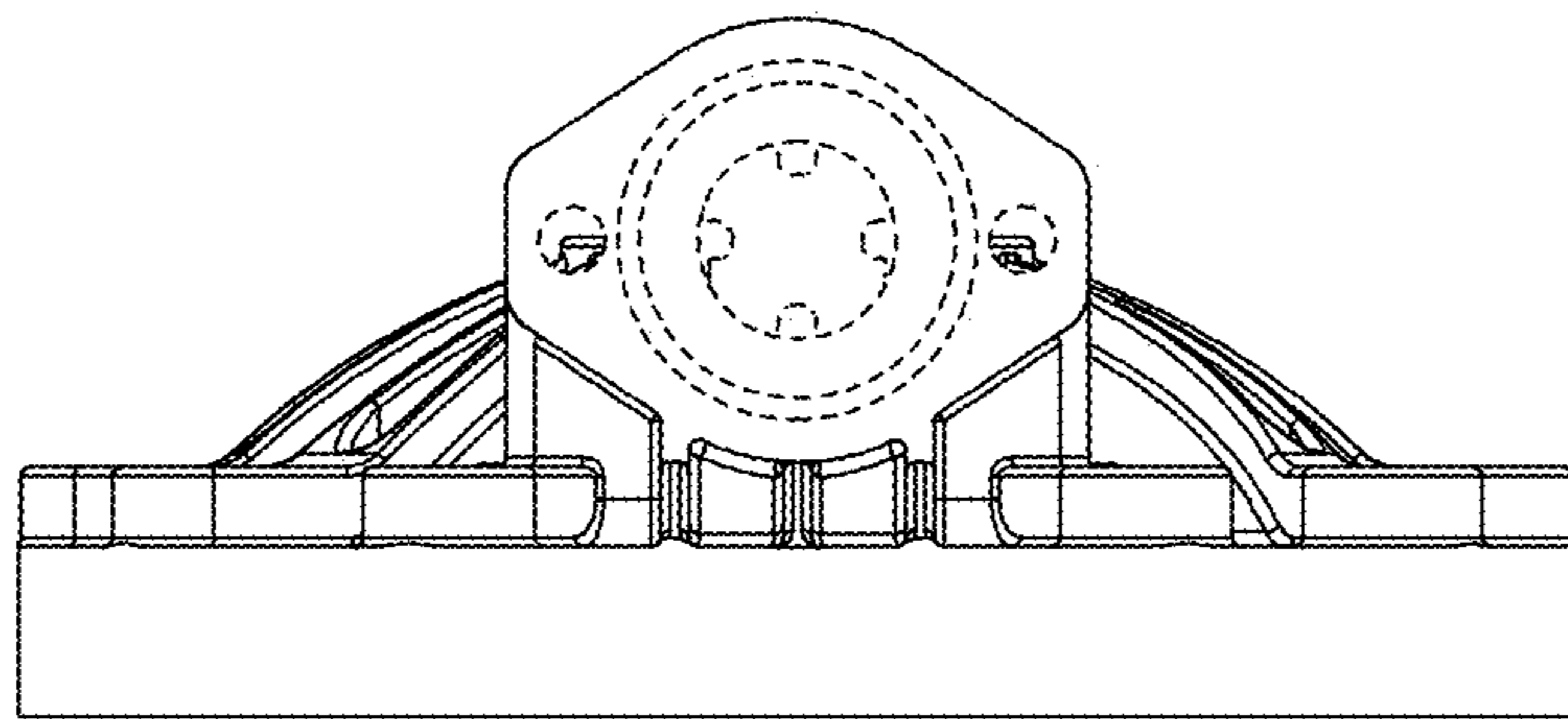


FIGURE 8

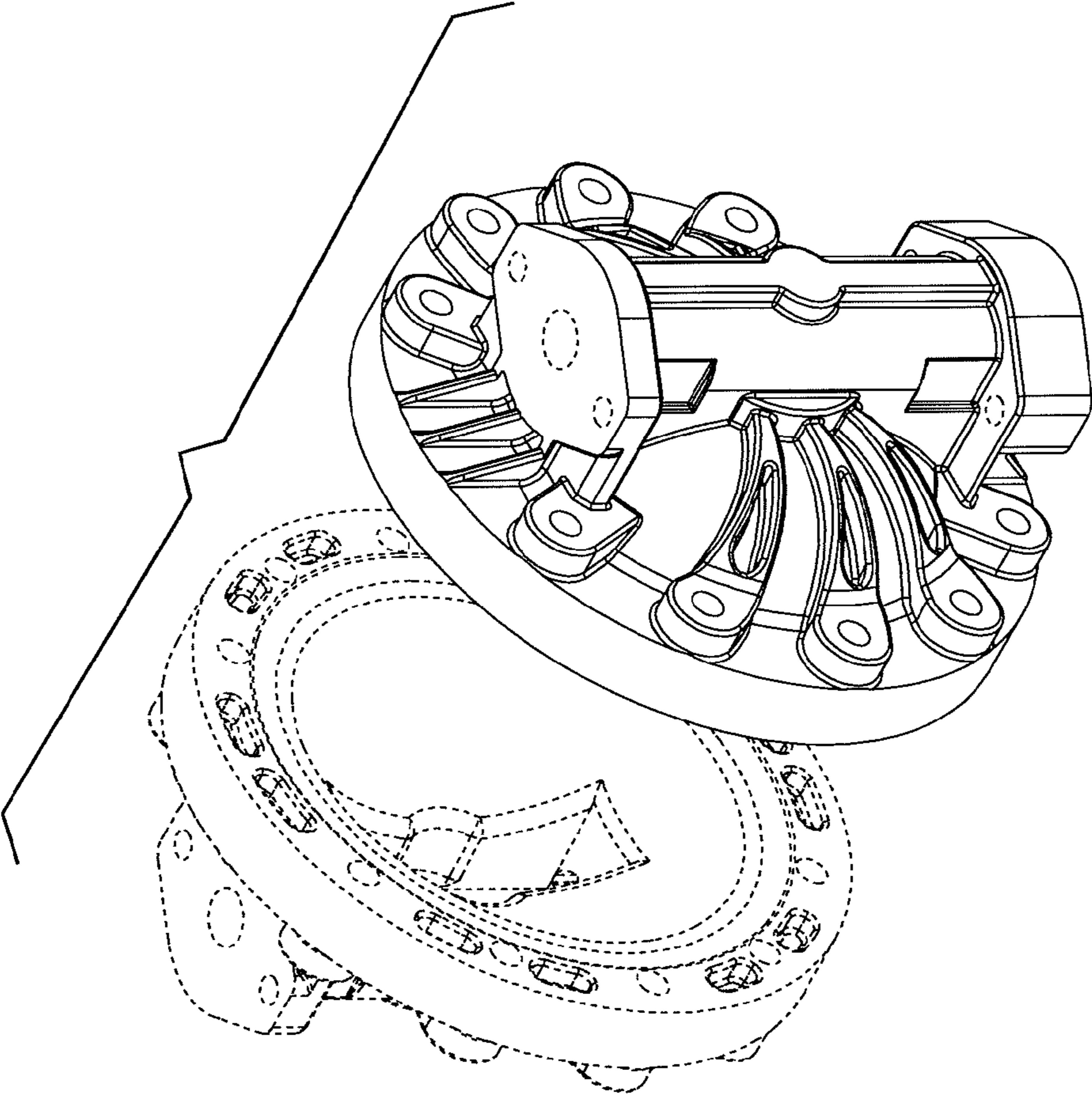


FIGURE 9

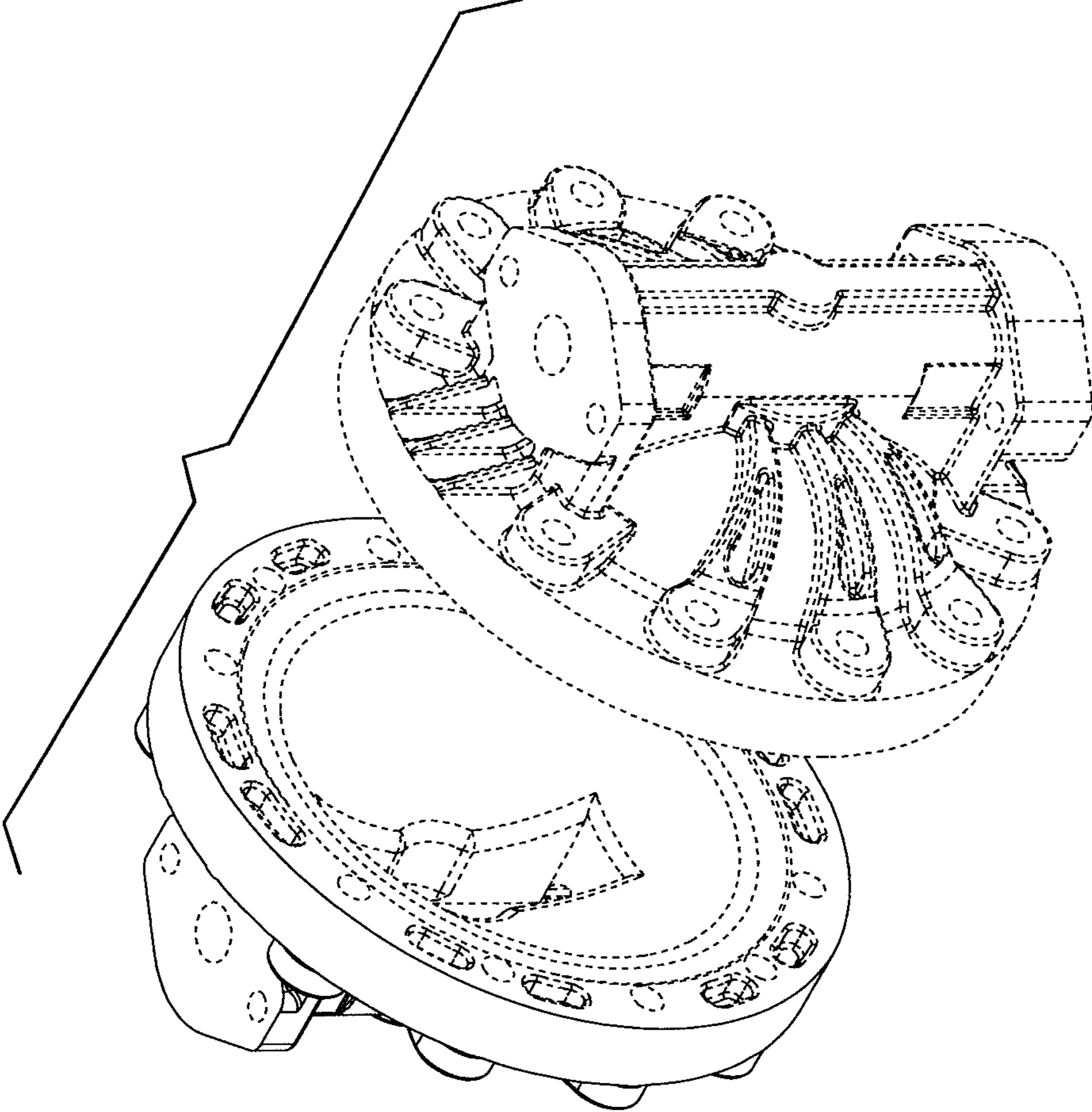


FIGURE 10

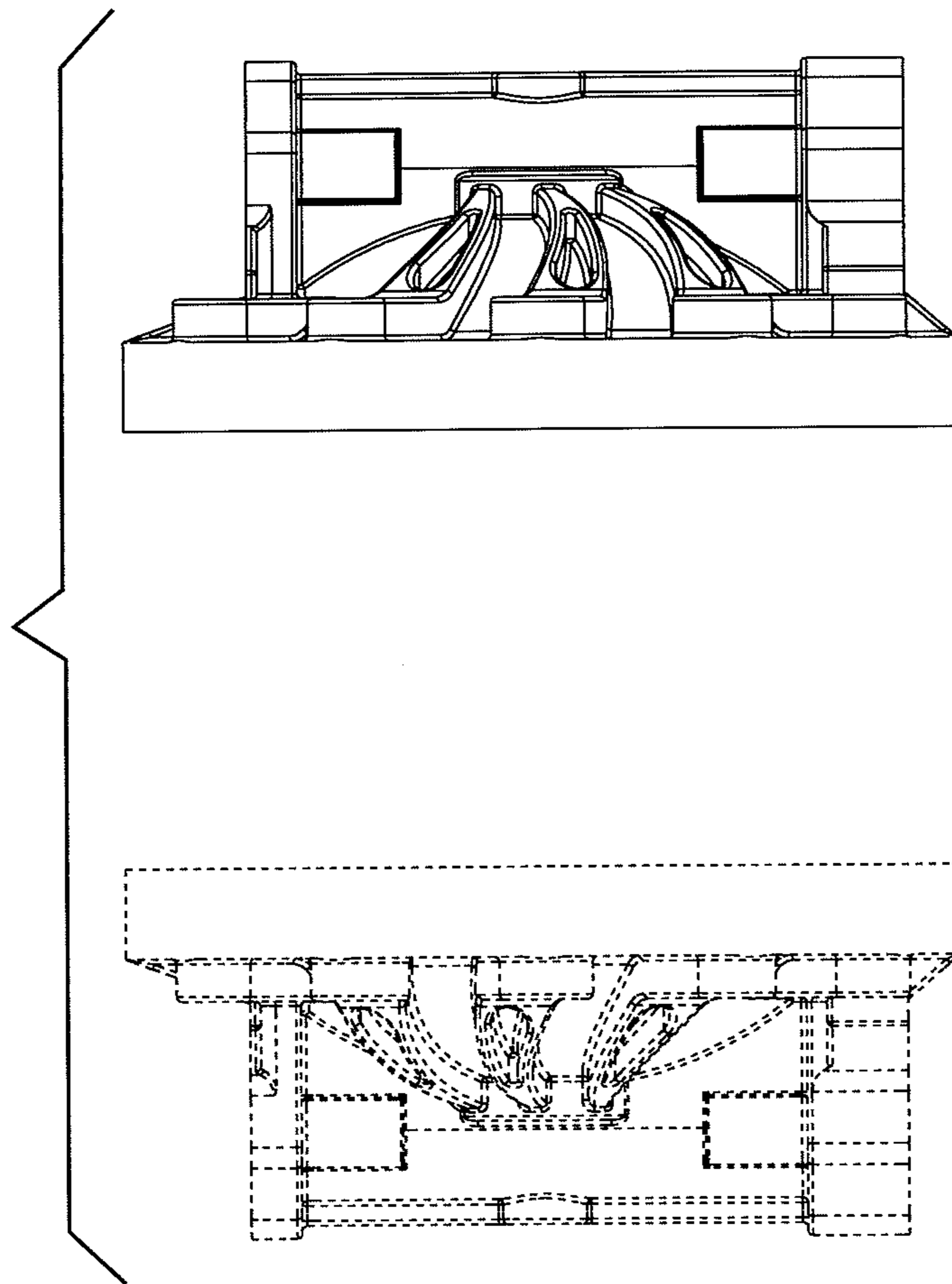


FIGURE 11

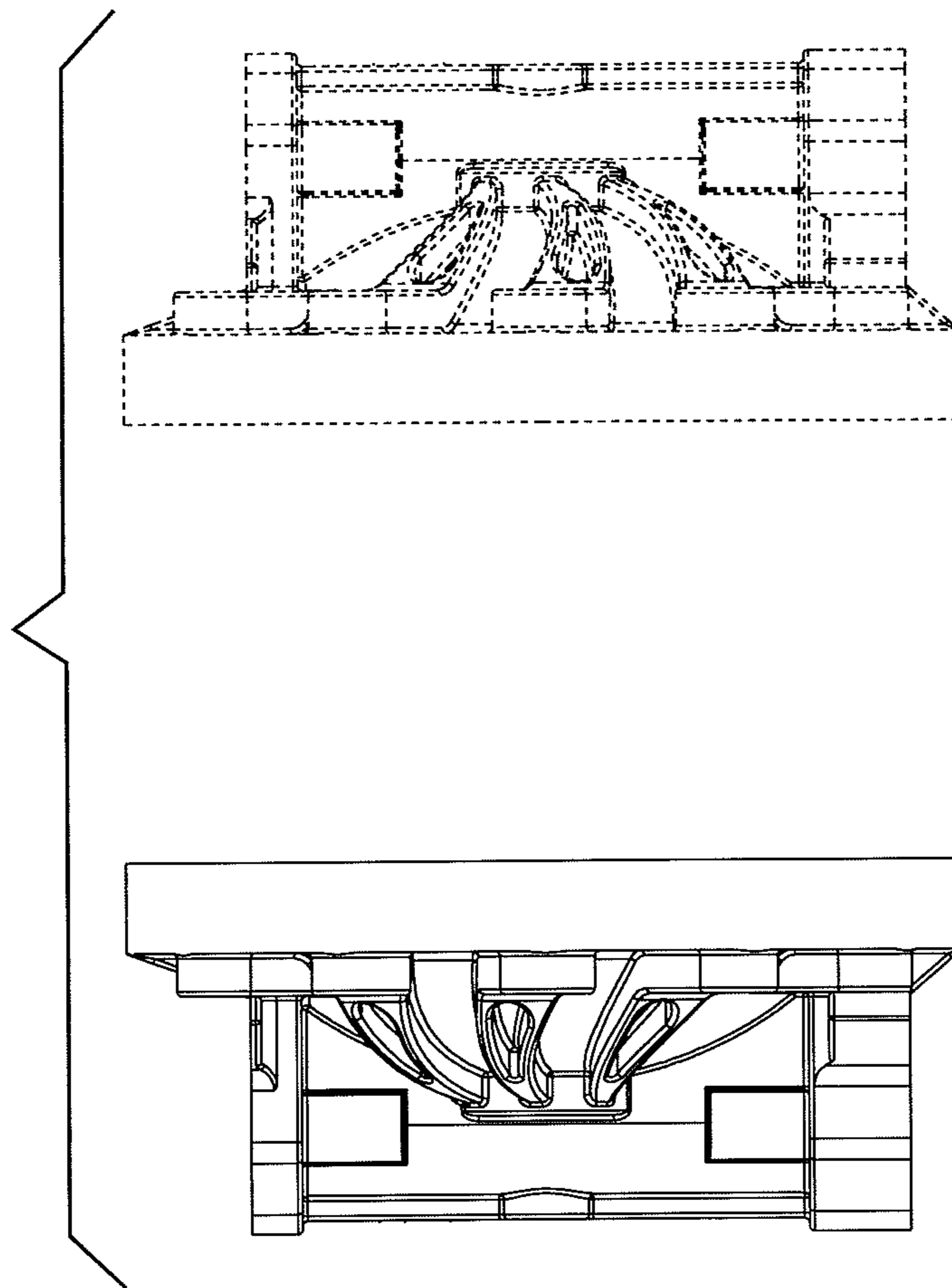


FIGURE 12

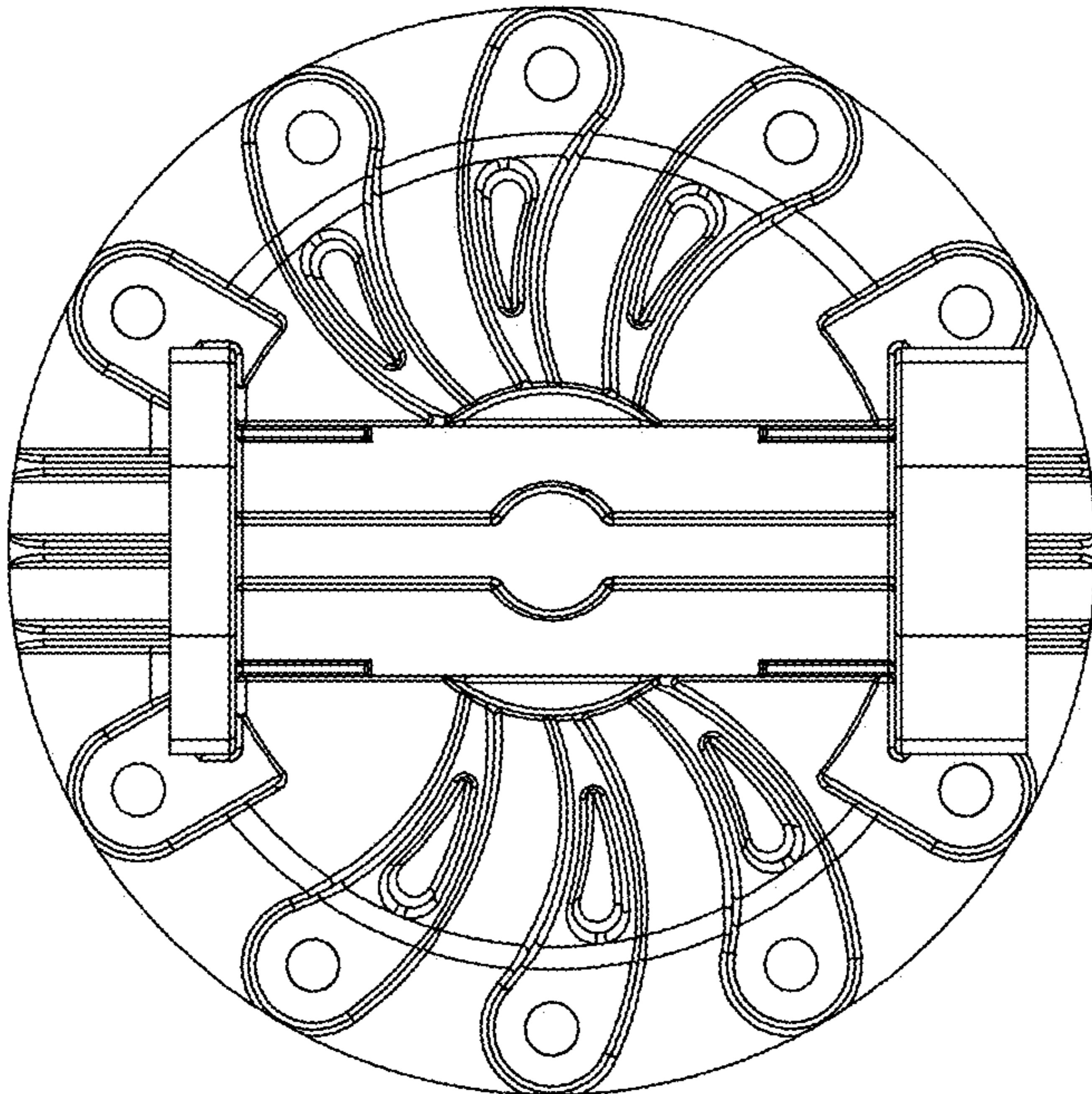


FIGURE 13

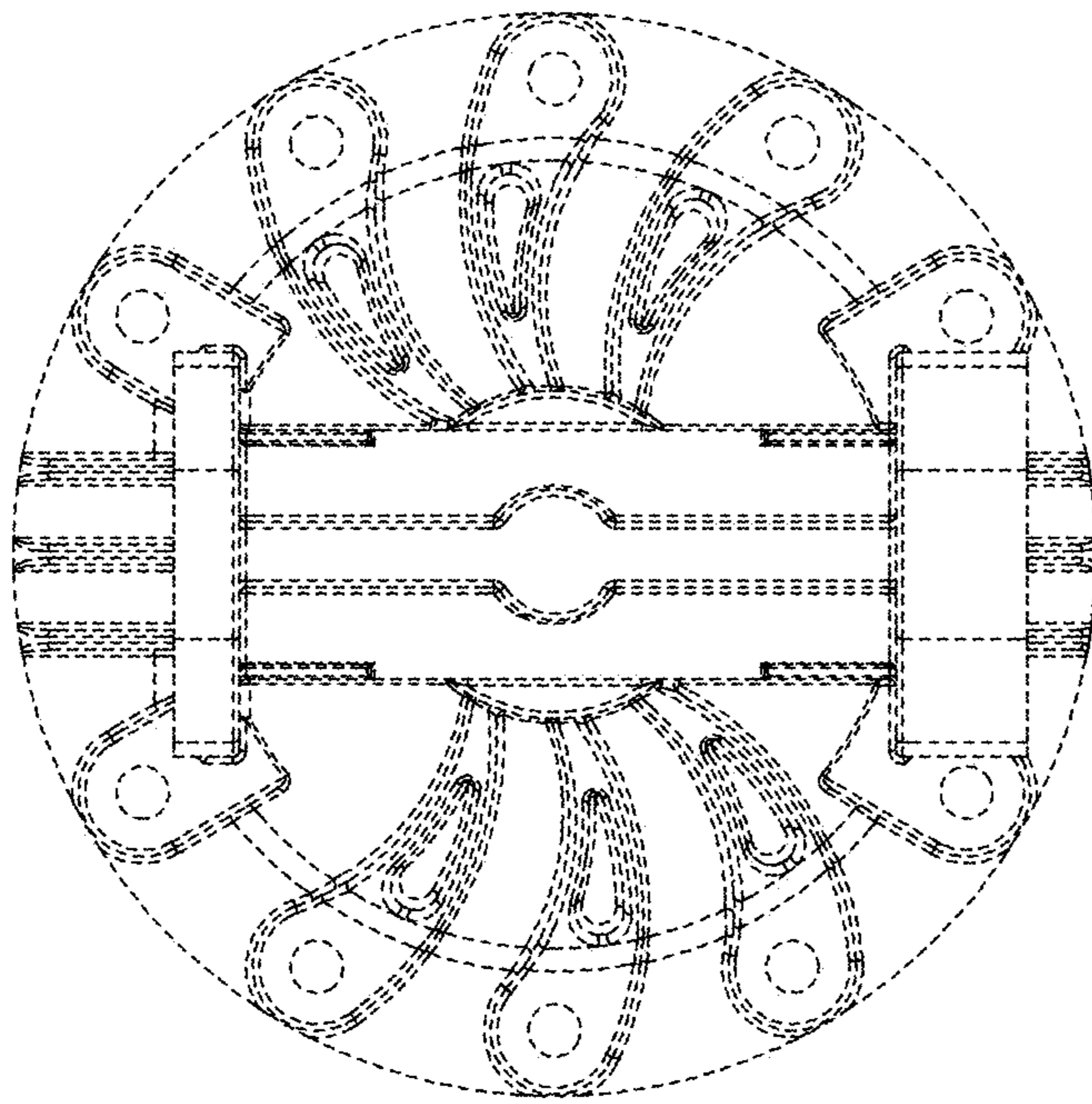


FIGURE 14

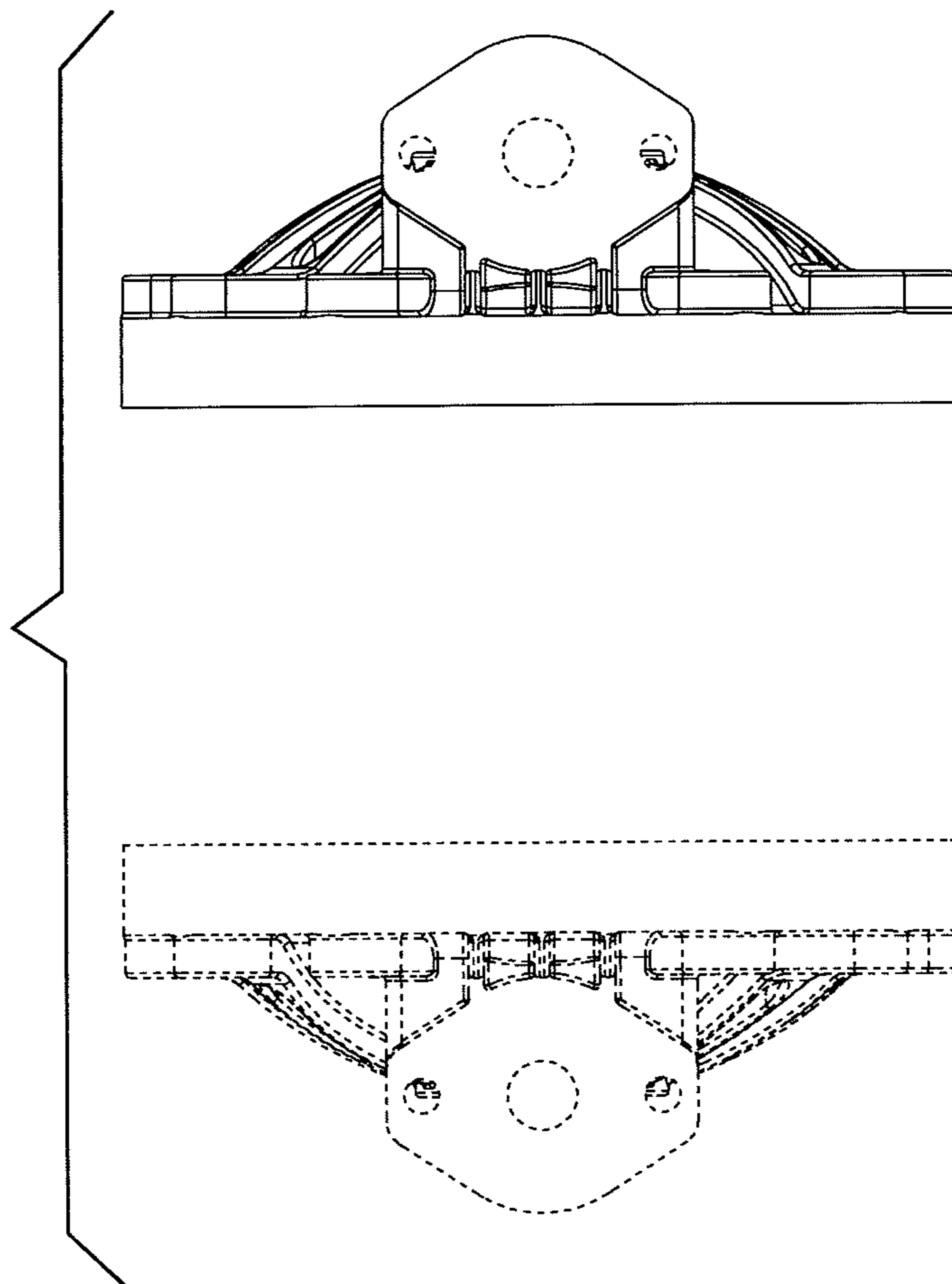


FIGURE 15

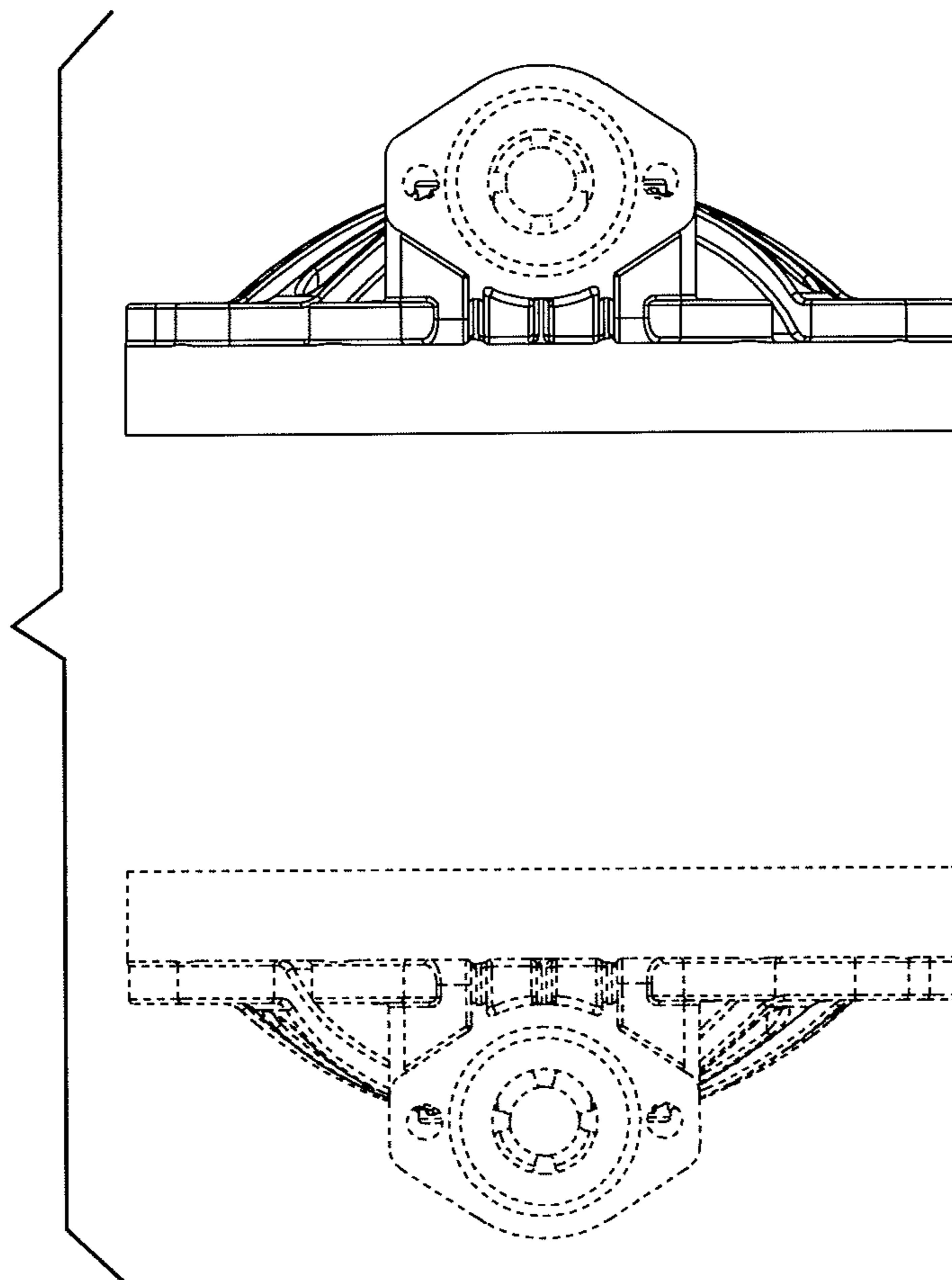


FIGURE 16

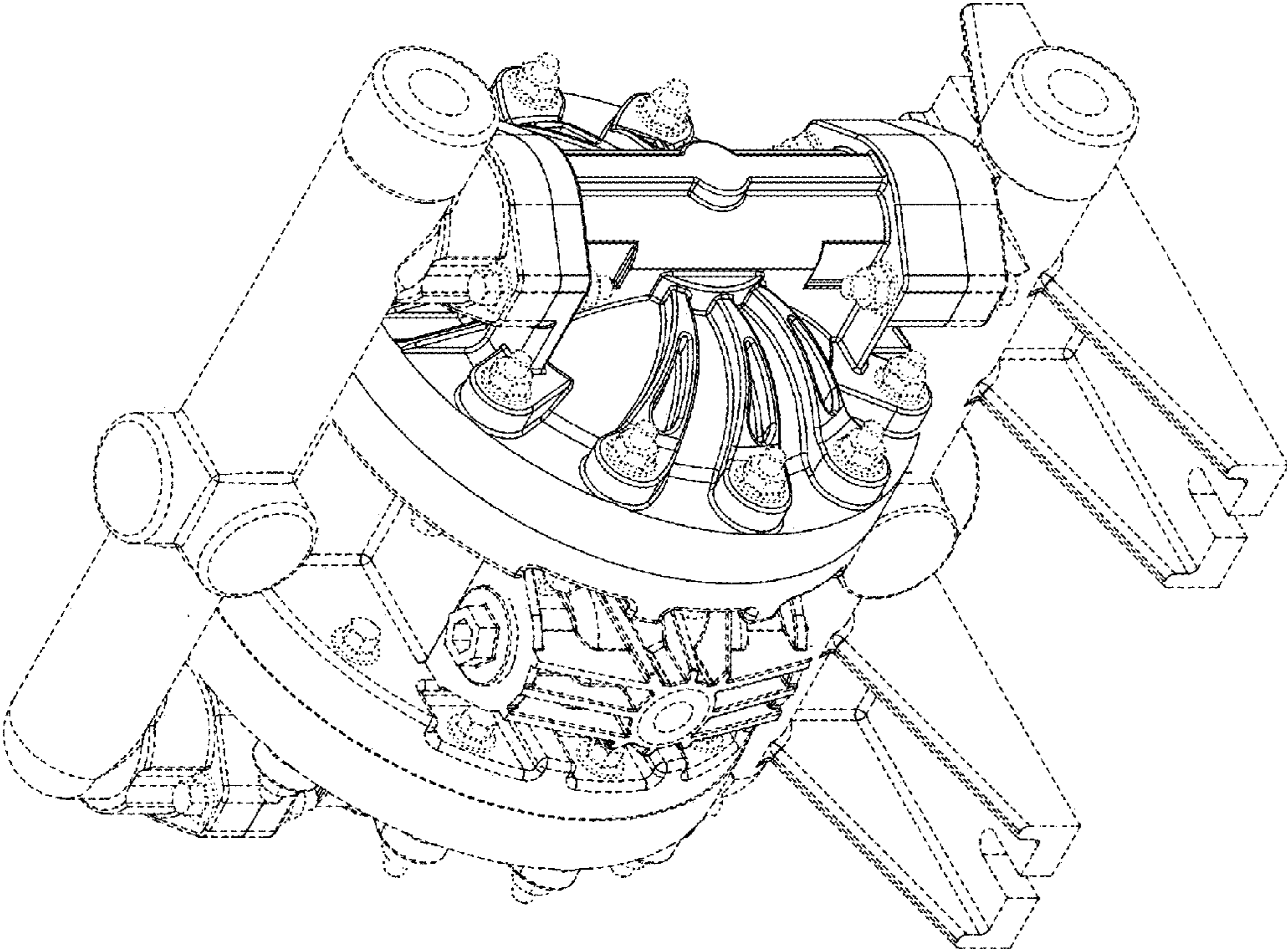


FIGURE 17

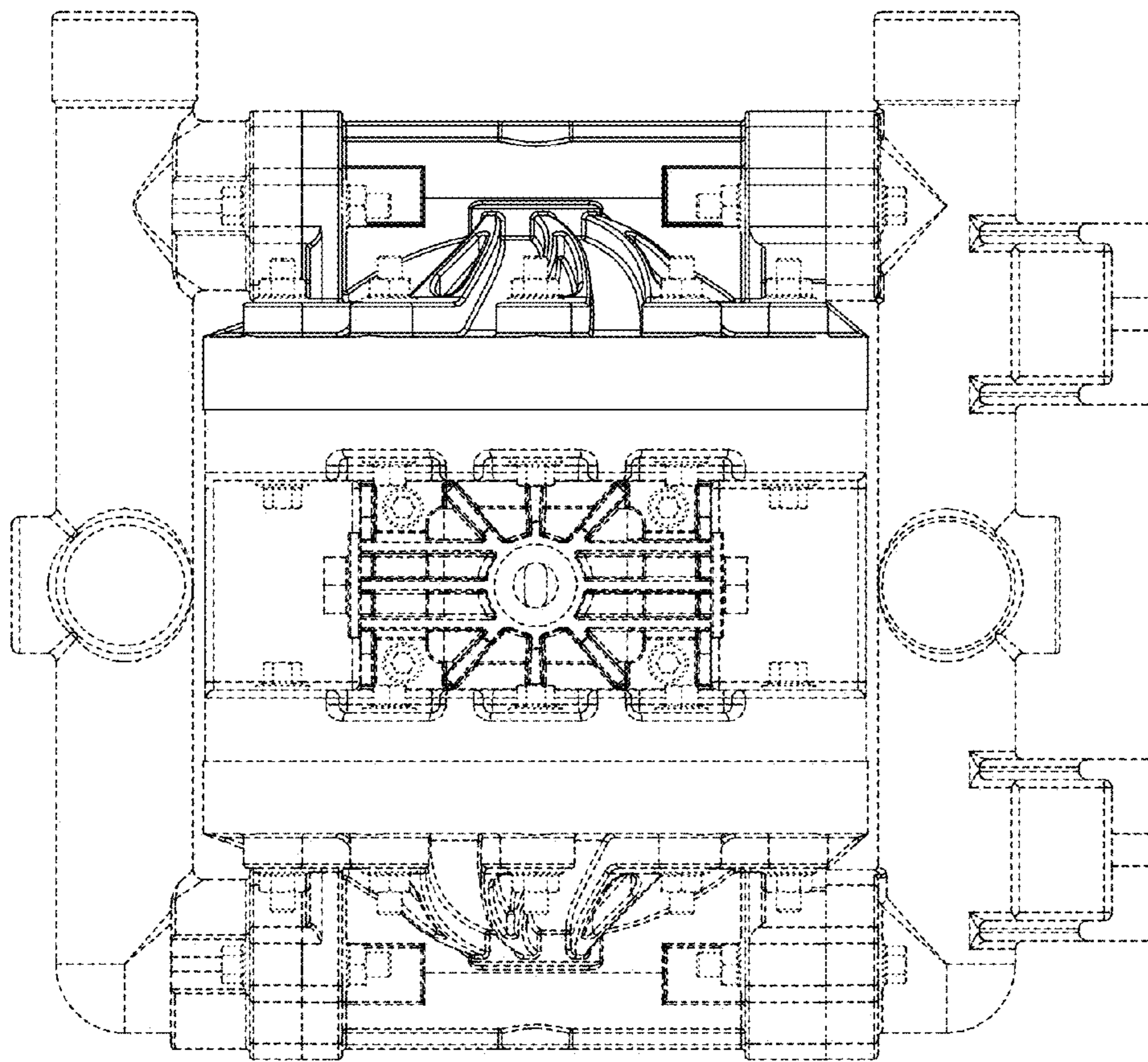


FIGURE 18

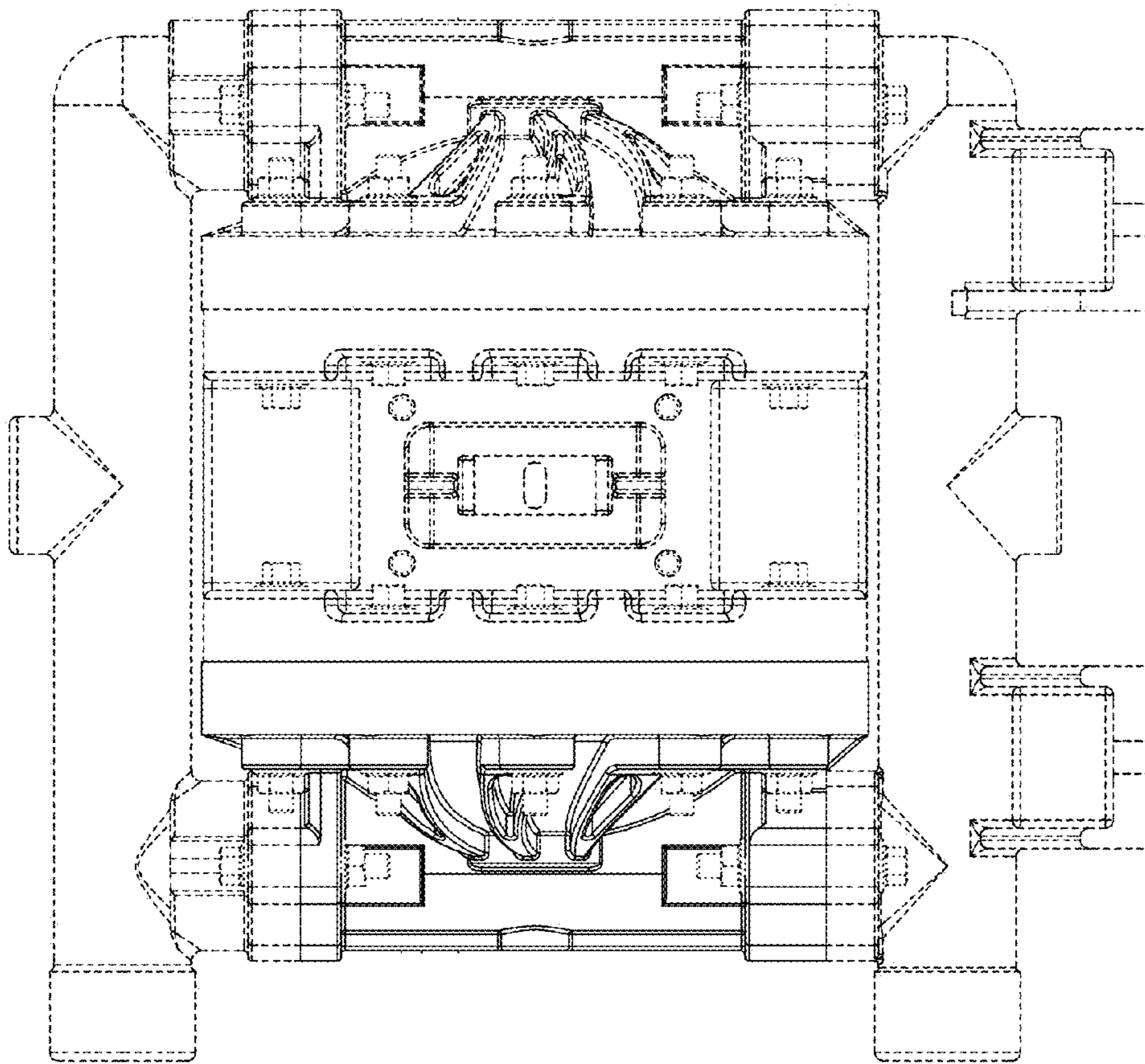


FIGURE 19

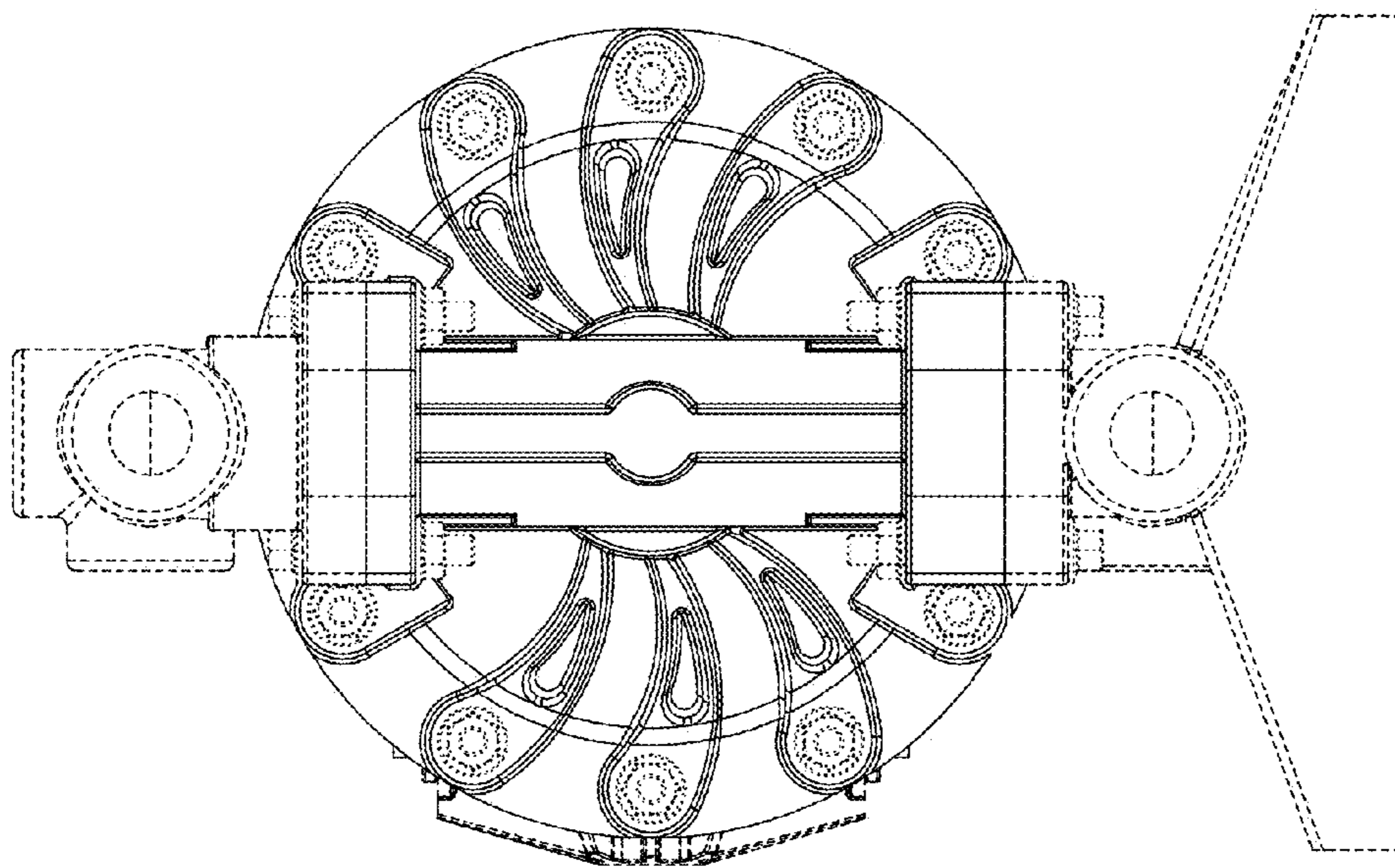


FIGURE 20

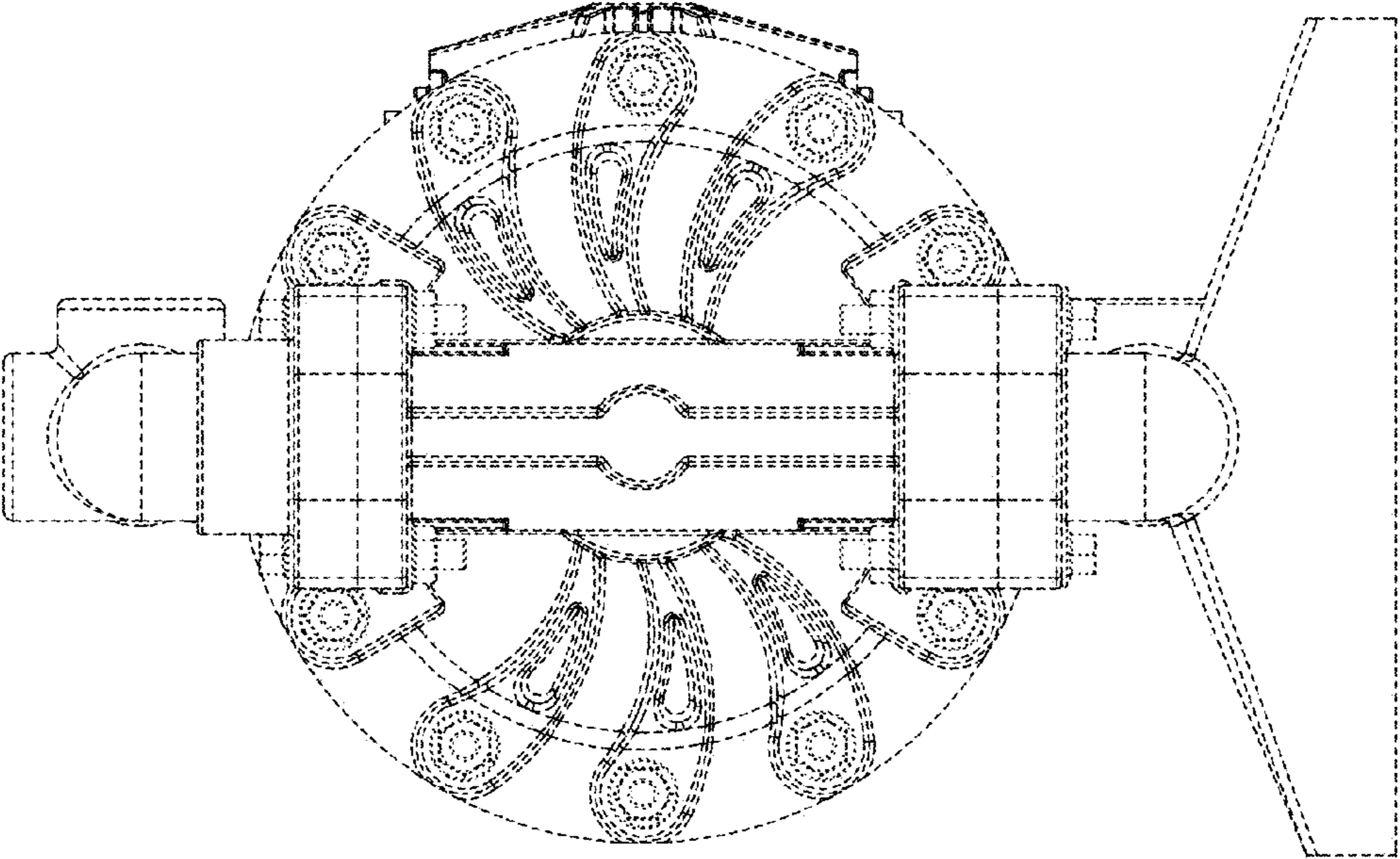


FIGURE 21

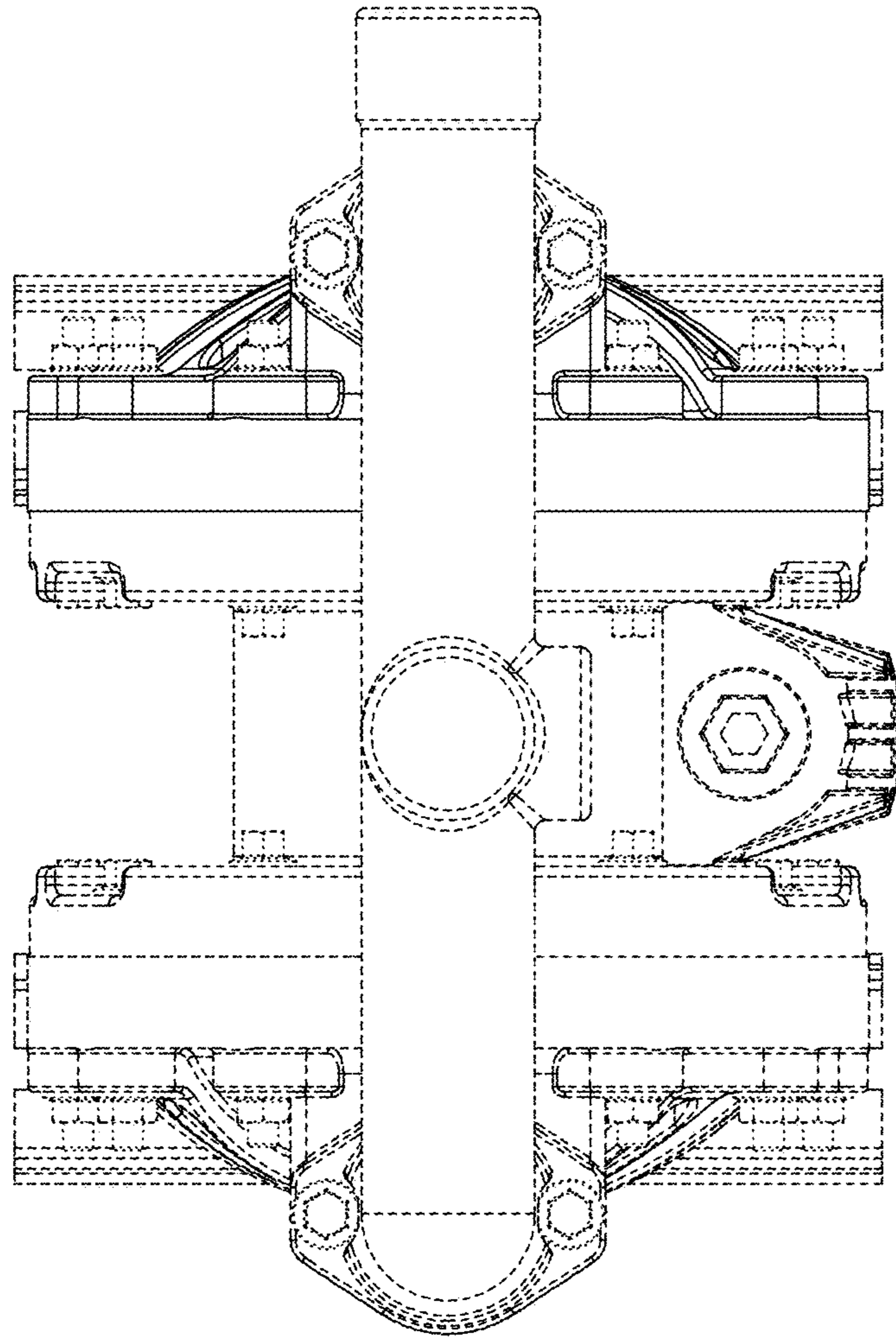


FIGURE 22

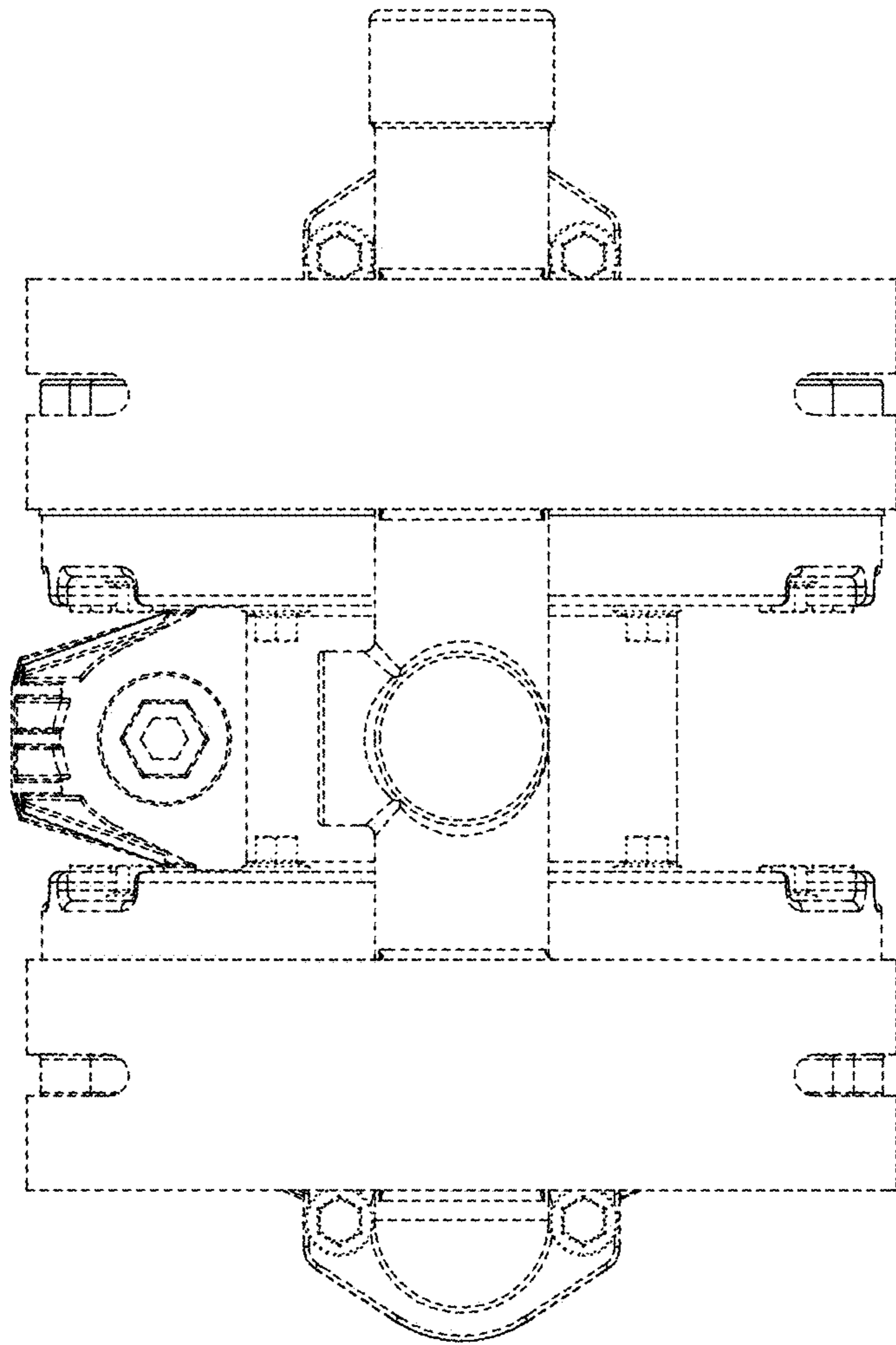


FIGURE 23

UNITED STATES PATENT AND TRADEMARK OFFICE
CERTIFICATE OF CORRECTION

PATENT NO. : D746,872 S
APPLICATION NO. : 29/515984
DATED : January 5, 2016
INVENTOR(S) : Cardo et al.

Page 1 of 1

It is certified that error appears in the above-identified patent and that said Letters Patent is hereby corrected as shown below:

On the Title Page

Item (12):

“Davis”

Should read:

-- Cardo et al. --

Item (72):

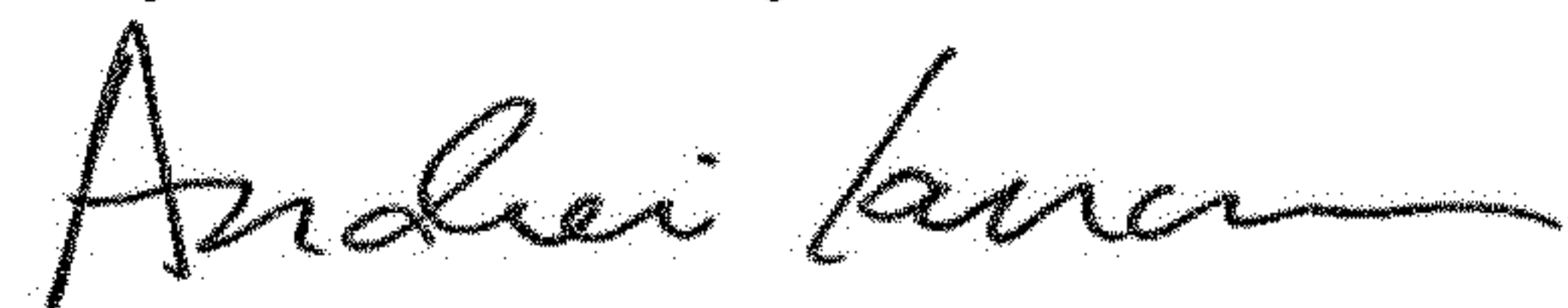
“... **Matthew A. Davis**, Erie, PA (US)...”

Should read:

-- ...**Douglas A. Cardo**, Erie, PA (US);

Daniel R. Roll, Fairview, PA (US)... --

Signed and Sealed this
Twenty-seventh Day of November, 2018



Andrei Iancu
Director of the United States Patent and Trademark Office