



US00D746871S

(12) **United States Design Patent**
Anderson et al.

(10) **Patent No.:** **US D746,871 S**

(45) **Date of Patent:** **** Jan. 5, 2016**

(54) **INTERFACE PORTION OF A PUMP**

(71) Applicant: **ABBVIE INC.**, North Chicago, IL (US)

(72) Inventors: **Phil D. Anderson**, Libertyville, IL (US);
Kevin Novak, Park Ridge, IL (US);
Gurjinder Dhama, Neenah, WI (US);
Scott Smieja, Oshkosh, WI (US);
Matthew Svacina, Brillion, WI (US);
Gary Friederichs, Chilton, WI (US)

(73) Assignee: **ABBVIE INC.**, North Chicago, IL (US)

(**) Term: **14 Years**

(21) Appl. No.: **29/513,436**

(22) Filed: **Dec. 30, 2014**

(51) **LOC (10) Cl.** **15-02**

(52) **U.S. Cl.**
USPC **D15/7**

(58) **Field of Classification Search**
USPC D15/7-9; D23/231, 232, 225; 417/60,
417/235, 265, 321, 355, 358, 363, 359,
417/410.1, 415-416, 405, 900; 60/408,
60/412; 184/26-37; 415/140-147;
123/495, 509; 137/565.34
CPC F02M 37/04; F02M 37/14
See application file for complete search history.

(56) **References Cited**

U.S. PATENT DOCUMENTS

4,537,561	A	8/1985	Xanthopoulos	
5,397,222	A	3/1995	Moss et al.	
5,538,399	A	7/1996	Johnson	
5,755,691	A	5/1998	Hilborne	
6,422,057	B1	7/2002	Anderson	
D471,562	S *	3/2003	Kagami et al.	D15/7
D471,917	S *	3/2003	Kagami et al.	D15/7
D482,370	S *	11/2003	Niwatsukino et al.	D15/7
D484,146	S *	12/2003	Urano et al.	D15/7
D517,091	S *	3/2006	Sugiyama et al.	D15/7
D520,023	S *	5/2006	Goto et al.	D15/7

D520,024	S *	5/2006	Chen	D15/7
D566,131	S *	4/2008	Detering et al.	D15/9
D579,569	S	10/2008	Strawn et al.	
D585,543	S	1/2009	Yodfat et al.	
7,628,770	B2	12/2009	Ethelfeld	
7,927,306	B2	4/2011	Cross et al.	
8,114,066	B2	2/2012	Naef et al.	
D659,717	S *	5/2012	Mattson et al.	D15/7

(Continued)

OTHER PUBLICATIONS

U.S. Appl. No. 29/513,434, filed Dec. 30, 2014.

(Continued)

Primary Examiner — Ralf Seifert

(74) *Attorney, Agent, or Firm* — Baker Botts L.L.P.

(57) **CLAIM**

The ornamental design for a interface portion of a pump, as shown and described.

DESCRIPTION

FIG. 1 is a perspective view of an embodiment of our design for an interface portion of a pump, with a lock member in an open position.

FIG. 2 is a front view of the interface portion of the pump of FIG. 1.

FIG. 3 is a rear view of the interface portion of the pump of FIG. 1.

FIG. 4 is a left side view of the interface portion of the pump of FIG. 1.

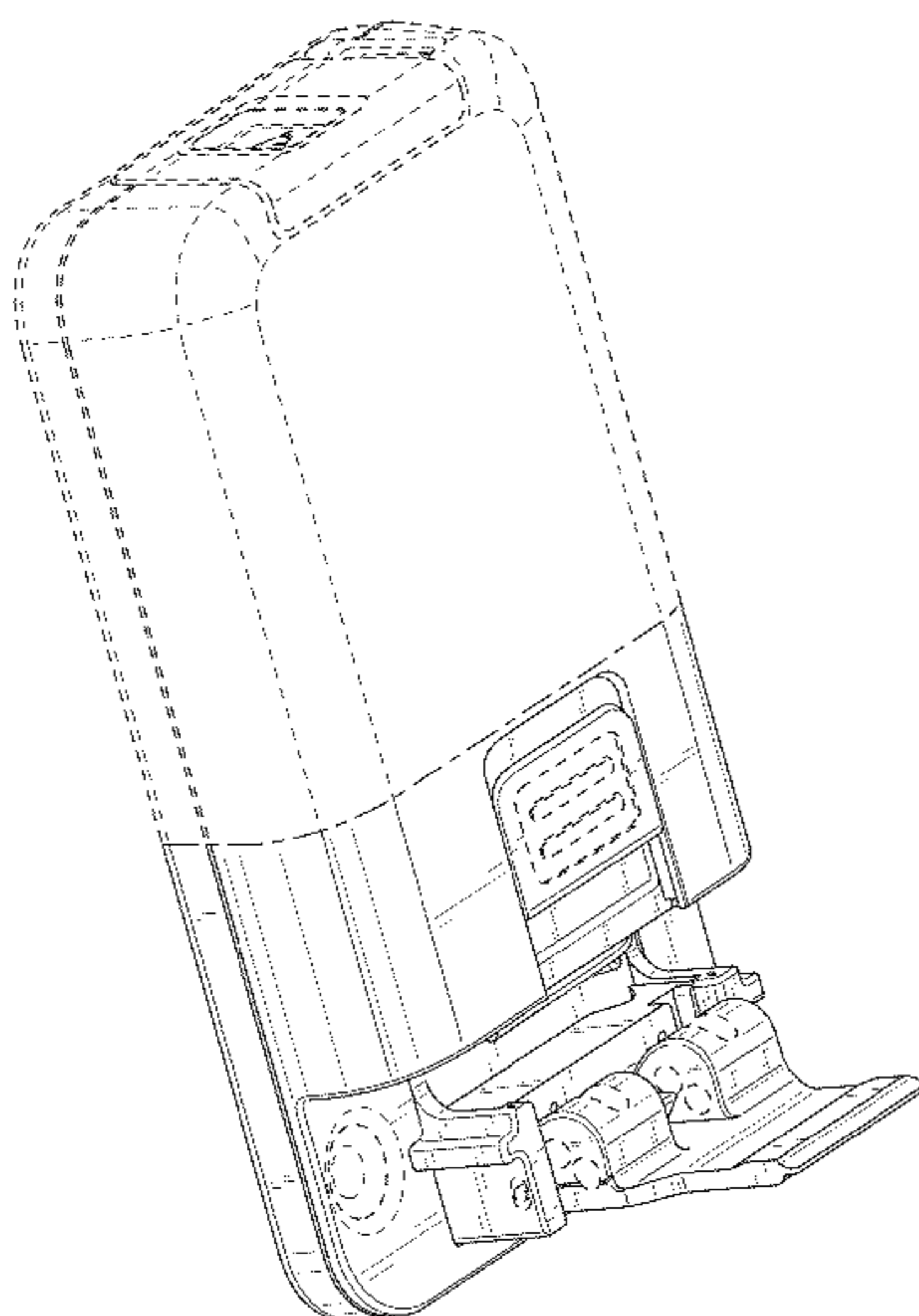
FIG. 5 is a right side view of the interface portion of the pump of FIG. 1.

FIG. 6 is a top view of the interface portion of the pump of FIG. 1; and,

FIG. 7 is a bottom view of the interface portion of the pump of FIG. 1.

The broken lines shown throughout these figures depict environmental subject matter only and form no part of the claimed design.

1 Claim, 6 Drawing Sheets



(56)

References Cited

U.S. PATENT DOCUMENTS

8,298,184 B2 10/2012 DiPerna et al.
8,377,002 B2 2/2013 Hanson et al.
D687,140 S 7/2013 Guarraia et al.
D689,523 S * 9/2013 Galbraith et al. D15/7
D697,204 S 1/2014 Maier et al.
D725,678 S * 3/2015 Sekula et al. D15/7
2008/0091139 A1 4/2008 Srinivasan et al.
2008/0255516 A1 10/2008 Yodfat et al.
2009/0182265 A1 7/2009 Mason
2010/0049128 A1 2/2010 McKenzie et al.
2011/0202005 A1 8/2011 Yodfat et al.

2012/0053522 A1 3/2012 Yodfat et al.
2012/0191059 A1 7/2012 Cummings et al.
2012/0277667 A1 11/2012 Yodat et al.
2013/0267899 A1 10/2013 Robert et al.

OTHER PUBLICATIONS

U.S. Appl. No. 29/513,435, filed Dec. 30, 2014.
U.S. Appl. No. 29/513,437, filed Dec. 30, 2014.
U.S. Appl. No. 29/513,438, filed Dec. 30, 2014.
U.S. Appl. No. 14/586,912, filed Dec. 30, 2014.
U.S. Appl. No. 14/586,916, filed Dec. 30, 2014.

* cited by examiner

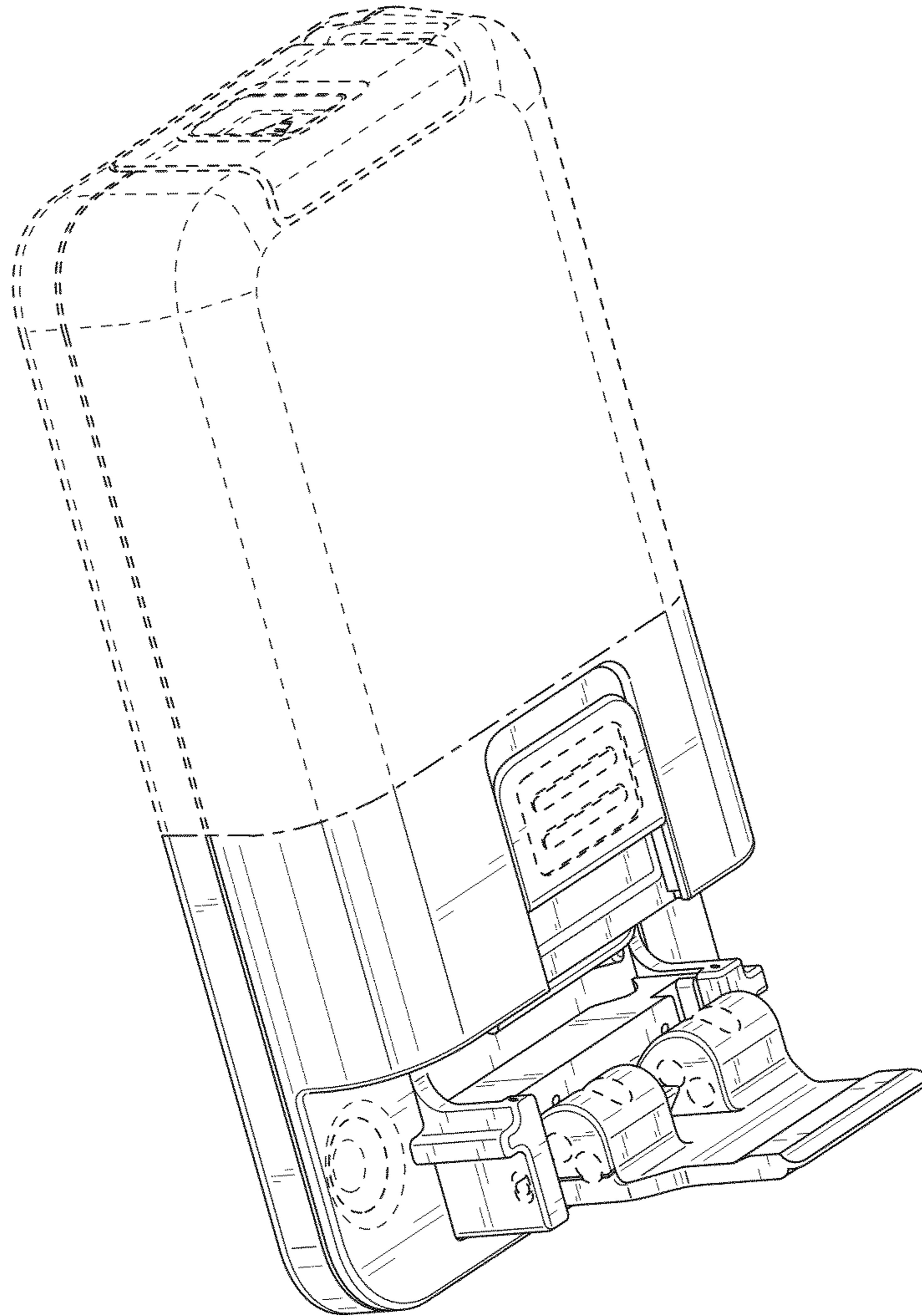


FIG. 1

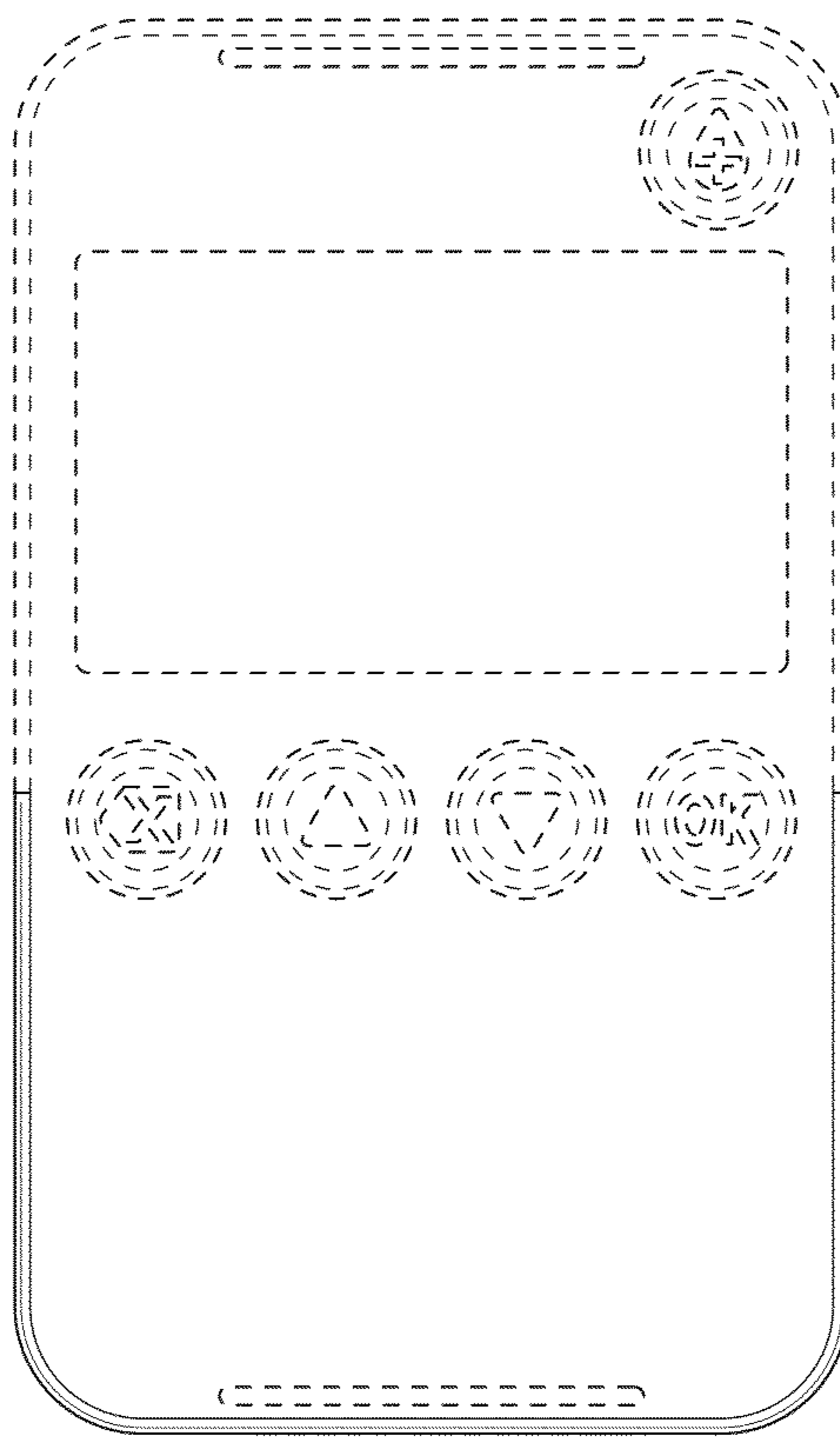


FIG. 2

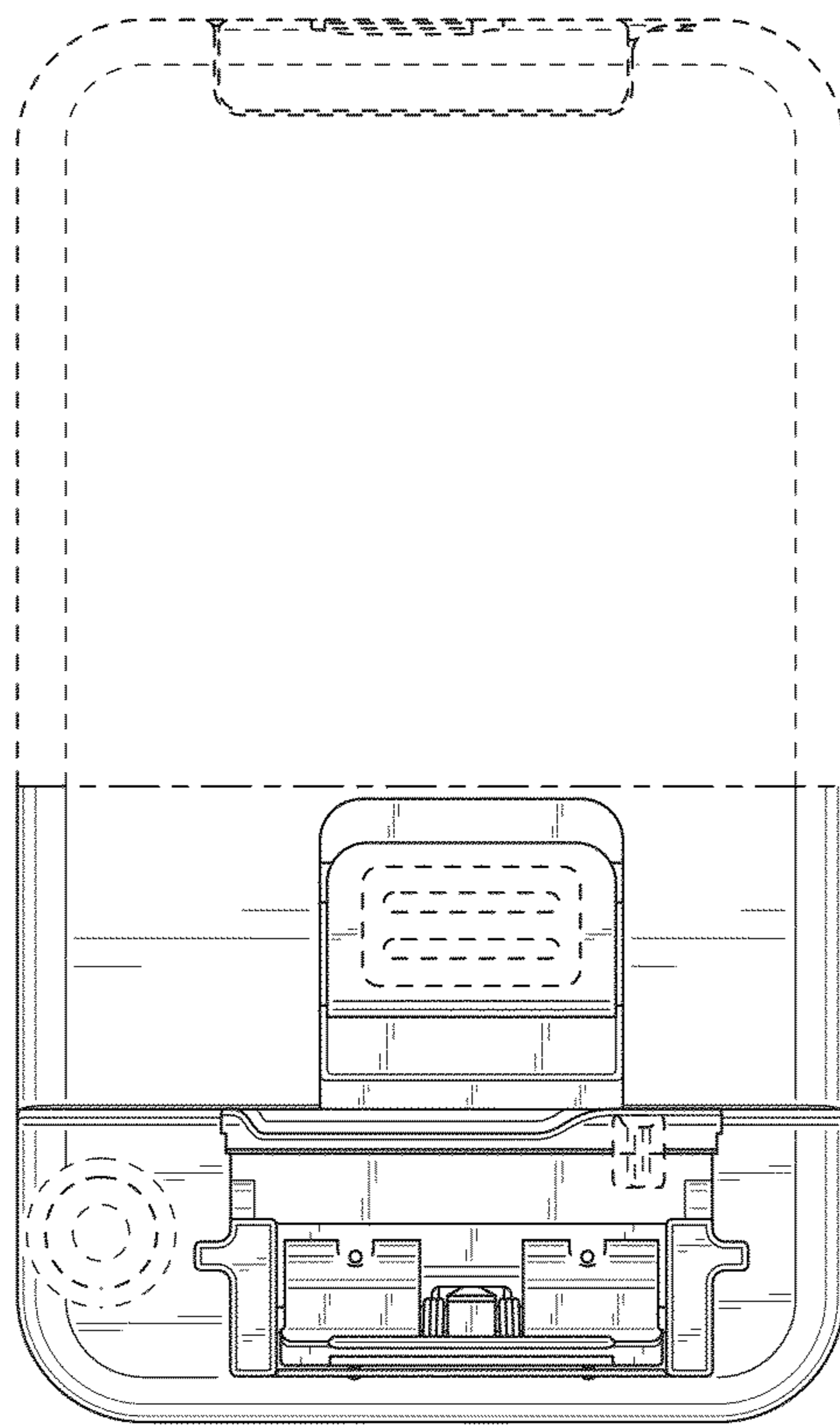


FIG. 3

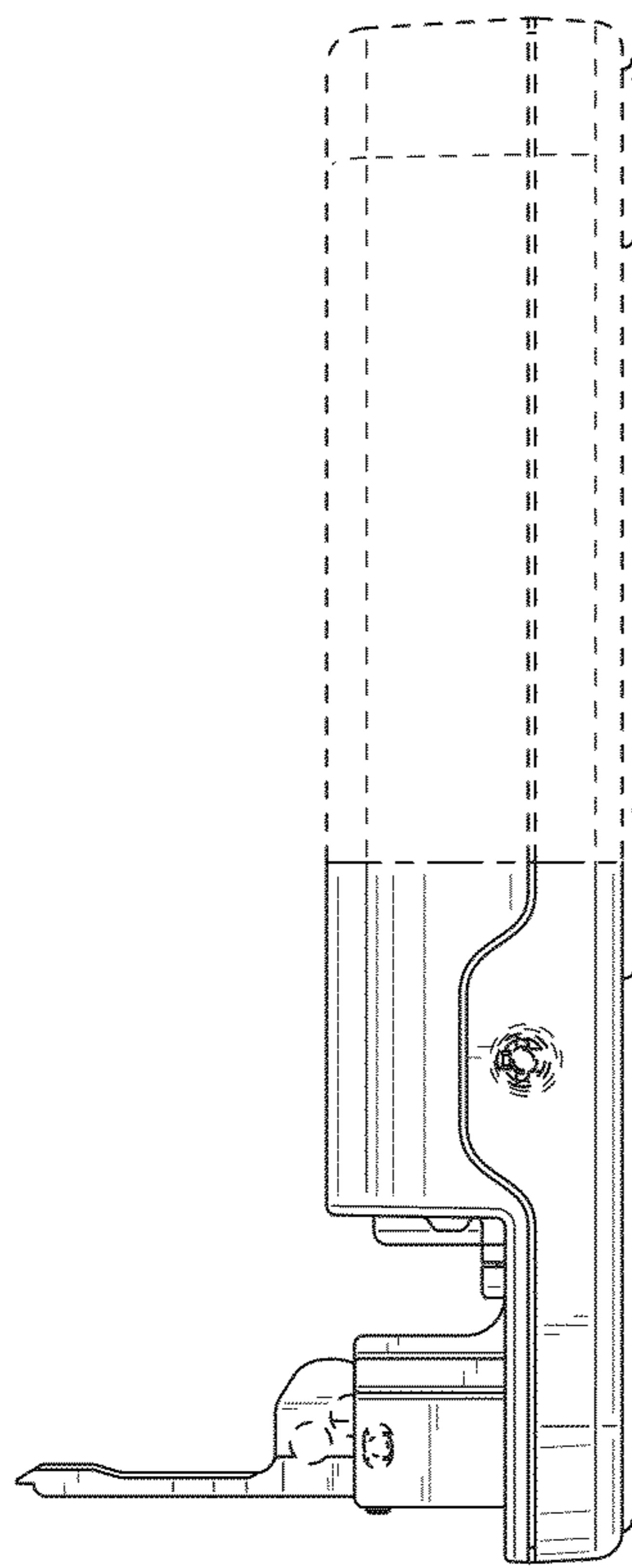


FIG. 4

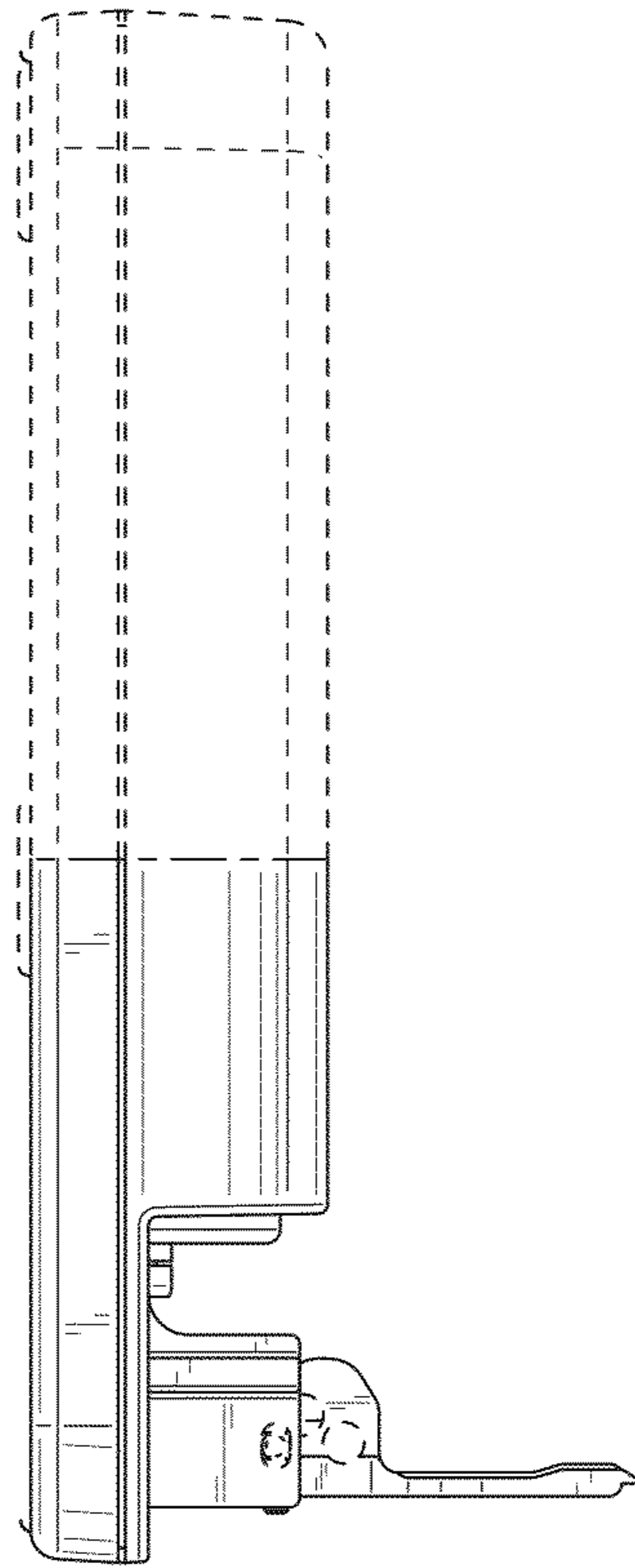


FIG. 5

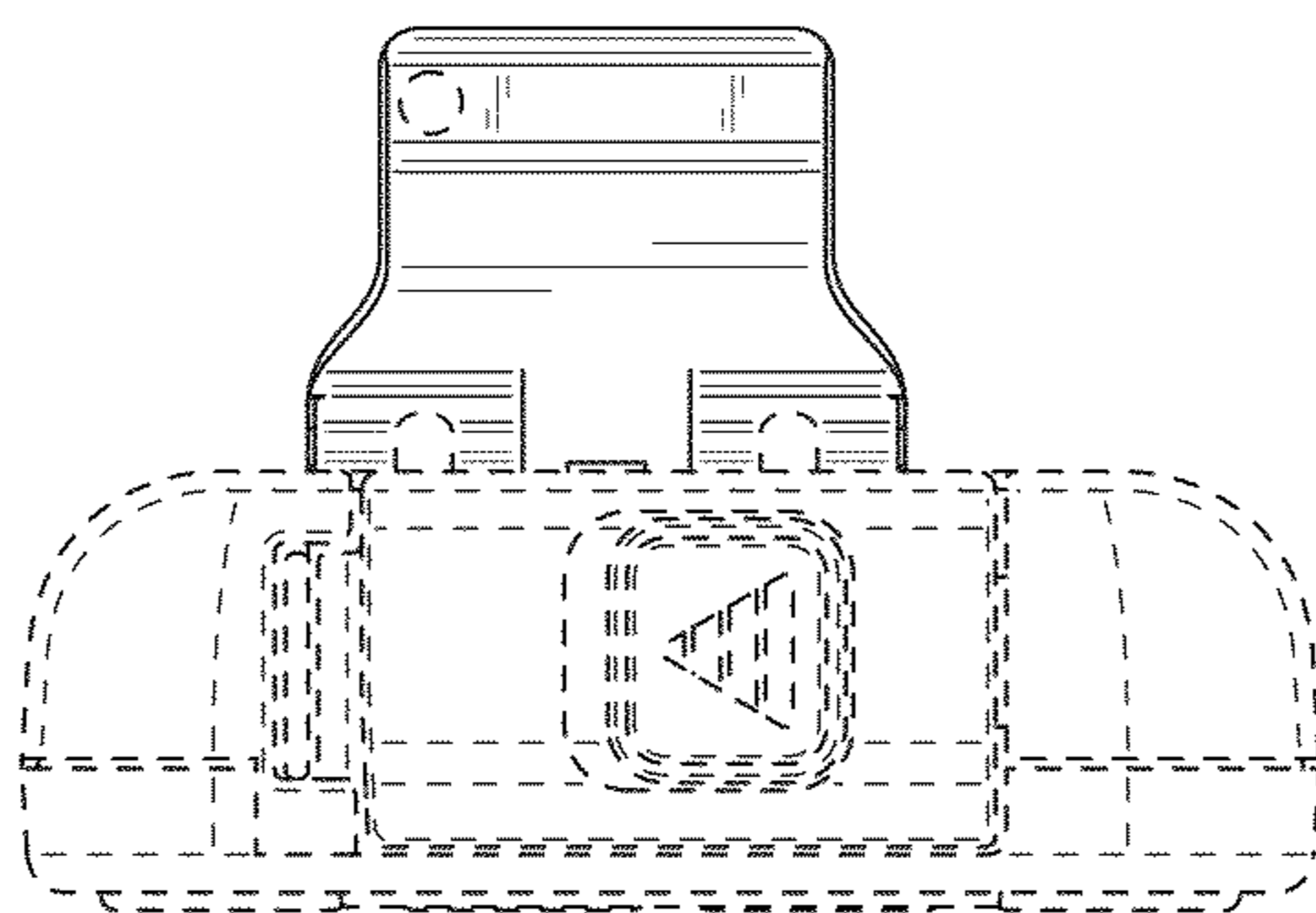


FIG. 6

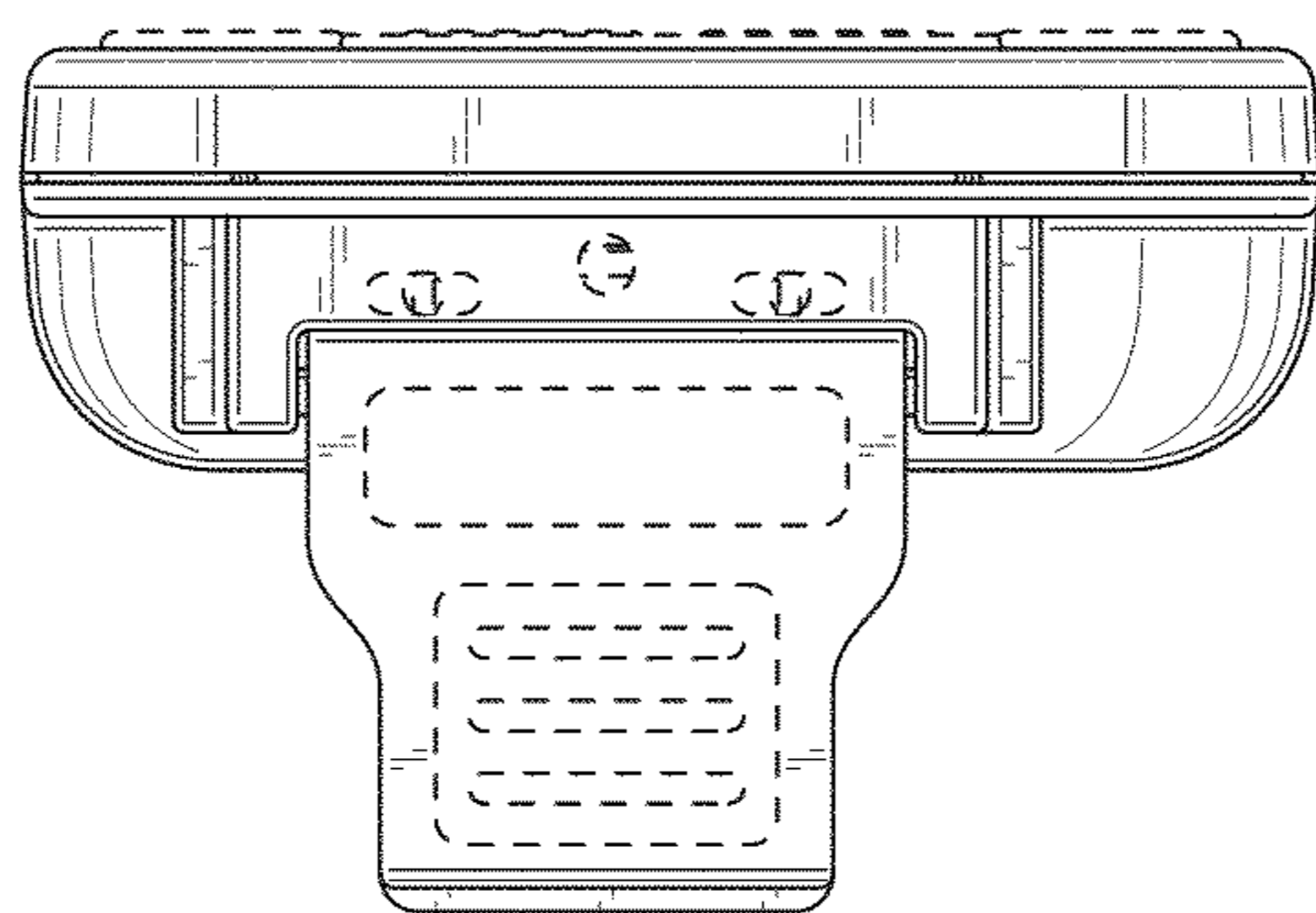


FIG. 7