



US00D746857S

(12) **United States Design Patent**
Rayit et al.

(10) **Patent No.:** **US D746,857 S**
(45) **Date of Patent:** **** Jan. 5, 2016**

(54) **DISPLAY SCREEN WITH ANIMATED GRAPHICAL USER INTERFACE**

D691,171 S * 10/2013 Brinda et al. D14/488
D699,745 S * 2/2014 Pearson et al. D14/488
D703,693 S * 4/2014 Brinda et al. D14/488

(71) Applicant: **Microsoft Corporation**, Redmond, WA (US)

(Continued)

(72) Inventors: **Baljinder Pal Rayit**, London (GB);
Joseph Stanley Phillips, London (GB);
Antonio Pedro Pernambuco Rezende, London (GB); **Christopher James Clare**, Burlingame, CA (US); **James Paul Faris**, Mountain View, CA (US)

OTHER PUBLICATIONS

Skype 2 Review. Published on Dec. 13, 2005 by CNET [online]. [retrieved on Oct. 30, 2013]. Retrieved from Internet <URL: http://reviews.cnet.com/skype/#!>.

Michael Muchmore, Skype 5.3 for Windows . Published by PCMag on May 6, 2011 [online]. [retrieved on Oct. 30, 2013]. Retrieved from Internet<URL:http://www.pcmag.com/article2/0,2817,2384989,00.asp>.

(Continued)

(73) Assignee: **Microsoft Corporation**, Redmond, WA (US)

Primary Examiner — Deanna L Pratt

(74) *Attorney, Agent, or Firm* — Banner & Witcoff, Ltd.

(**) Term: **14 Years**

(57) **CLAIM**

(21) Appl. No.: **29/459,430**

The ornamental design for a display screen with animated graphical user interface, as shown and described.

(22) Filed: **Jun. 28, 2013**

DESCRIPTION

(51) **LOC (10) Cl.** **14-04**

(52) **U.S. Cl.**
USPC **D14/488**

(58) **Field of Classification Search**
USPC D14/485–495
CPC . G06F 3/0482; G06F 3/04883; G06F 3/0481;
G06F 3/0485; G06F 3/0488; G06F 3/04886;
G06F 3/04817

See application file for complete search history.

FIG. 1 is the first image in a sequence for a display screen with animated graphical user interface showing the new design; FIG. 2 is the second image thereof; FIG. 3 is the third image thereof; FIG. 4 is the fourth image thereof; FIG. 5 is the fifth image thereof; FIG. 6 is the sixth image thereof; FIG. 7 is the seventh image thereof; FIG. 8 is the eighth image thereof; FIG. 9 is the ninth image thereof; FIG. 10 is the tenth image thereof; FIG. 11 is the eleventh image thereof; and, FIG. 12 is the twelfth image thereof.

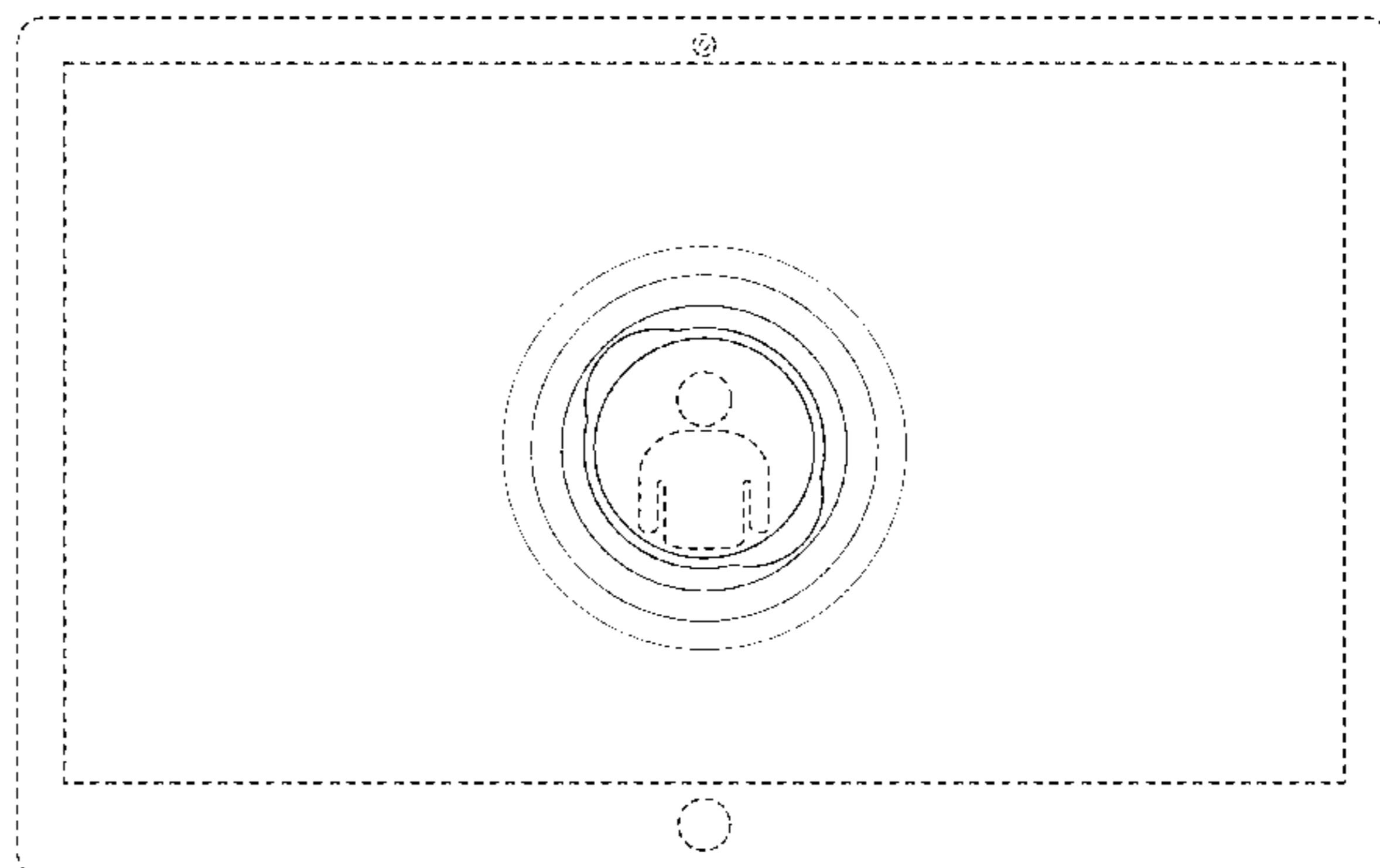
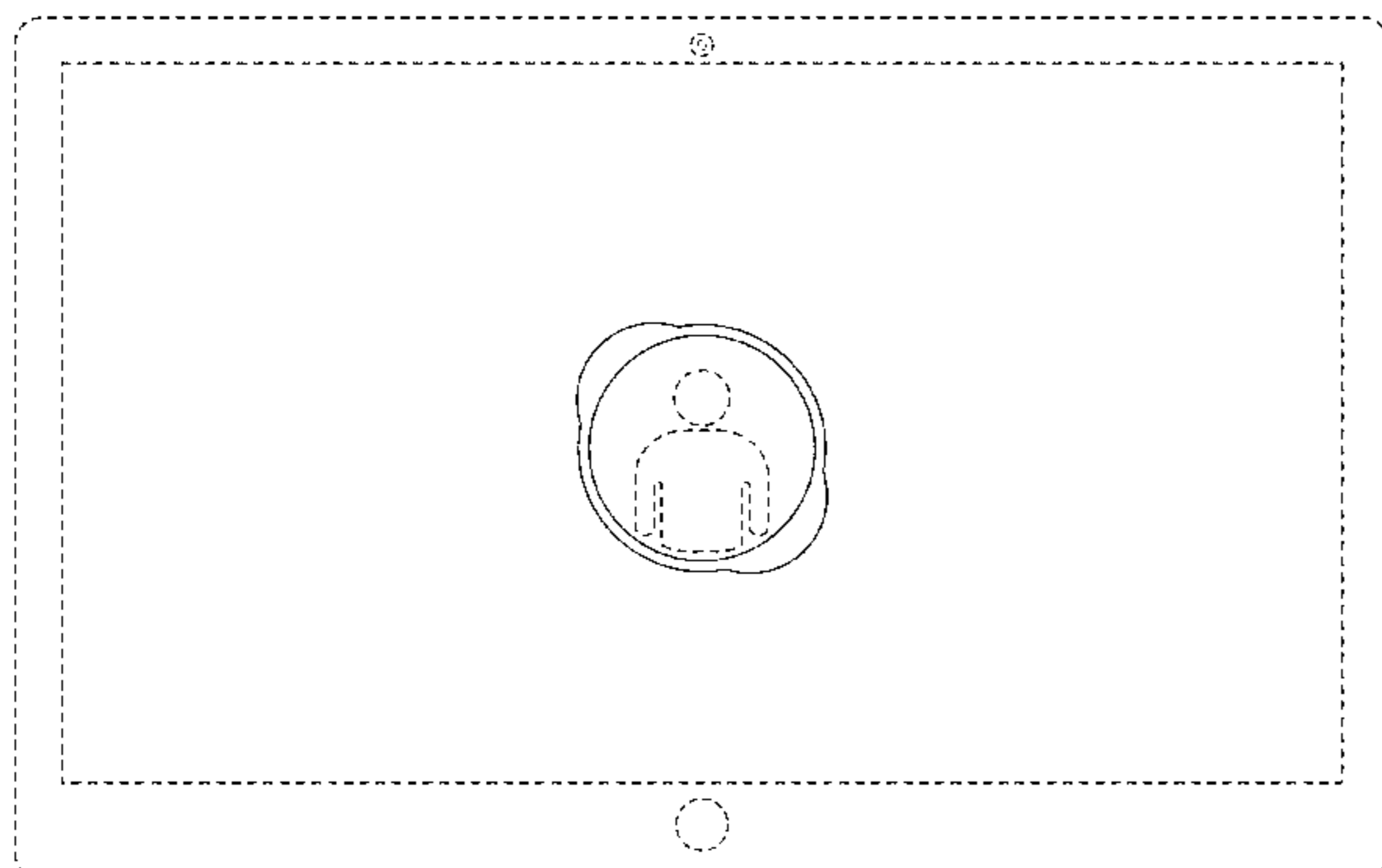
The appearance of the animated graphical user interface sequentially transitions between the images shown in FIGS. 1-12. The process or period in which one image transitions to another forms no part of the claimed design. The broken line showing of the stylized humanoid and the display screen is for environmental purposes only and forms no part of the claimed design.

(56) **References Cited**

U.S. PATENT DOCUMENTS

D593,571 S * 6/2009 Ball et al. D14/485
D627,360 S * 11/2010 Aarseth D14/485
D627,791 S * 11/2010 Lamb et al. D14/489
D644,243 S * 8/2011 Matas D14/489
D650,793 S * 12/2011 Impas et al. D14/489
8,090,092 B2 * 1/2012 Madanes et al. 379/355.08
8,417,784 B2 * 4/2013 Mandre 709/206
D686,241 S * 7/2013 Steele et al. D14/489
D687,060 S * 7/2013 Daniel D14/489
D687,063 S * 7/2013 Myung et al. D14/489

1 Claim, 12 Drawing Sheets



(56)

References Cited

U.S. PATENT DOCUMENTS

D707,705	S *	6/2014	Folken et al.	D14/490
D708,206	S *	7/2014	Wang et al.	D14/488
D710,862	S *	8/2014	Wang et al.	D14/485
D713,414	S *	9/2014	Lee et al.	D14/486
D714,819	S *	10/2014	Wang et al.	D14/486
D716,316	S *	10/2014	Behzadi et al.	D14/485
D726,221	S *	4/2015	Gomez et al.	D14/492
D730,397	S *	5/2015	Oh et al.	D14/490
9,032,030	B2 *	5/2015	Tuubel et al.	709/206
D731,541	S *	6/2015	Lee	D14/489
2004/0141010	A1 *	7/2004	Fitzmaurice et al.	345/810
2014/0026166	A1 *	1/2014	Jeong	725/47

OTHER PUBLICATIONS

Mark Wilson, New Skype betas add Facebook video chat . Published by BetaNews on Nov. 17, 2011 [online]. [retrieved on Oct. 30, 2013]. Retrieved from Internet<URL:<http://betanews.com/2011/11/17/new-skype-betas-add-facebook-video-chat/>>.

Scott Thorpe, Skype User Guide for Windows XP and Windows Vista . Published by University of Victoria University System Client Technologies on Apr. 2, 2008 [online]. [retrieved on Oct. 29, 2013]. Retrieved from Internet<URL:<http://web.uvic.ca/~uvicev/Windows%20Skype%204.1%20Guide-5.pdf>>.

* cited by examiner

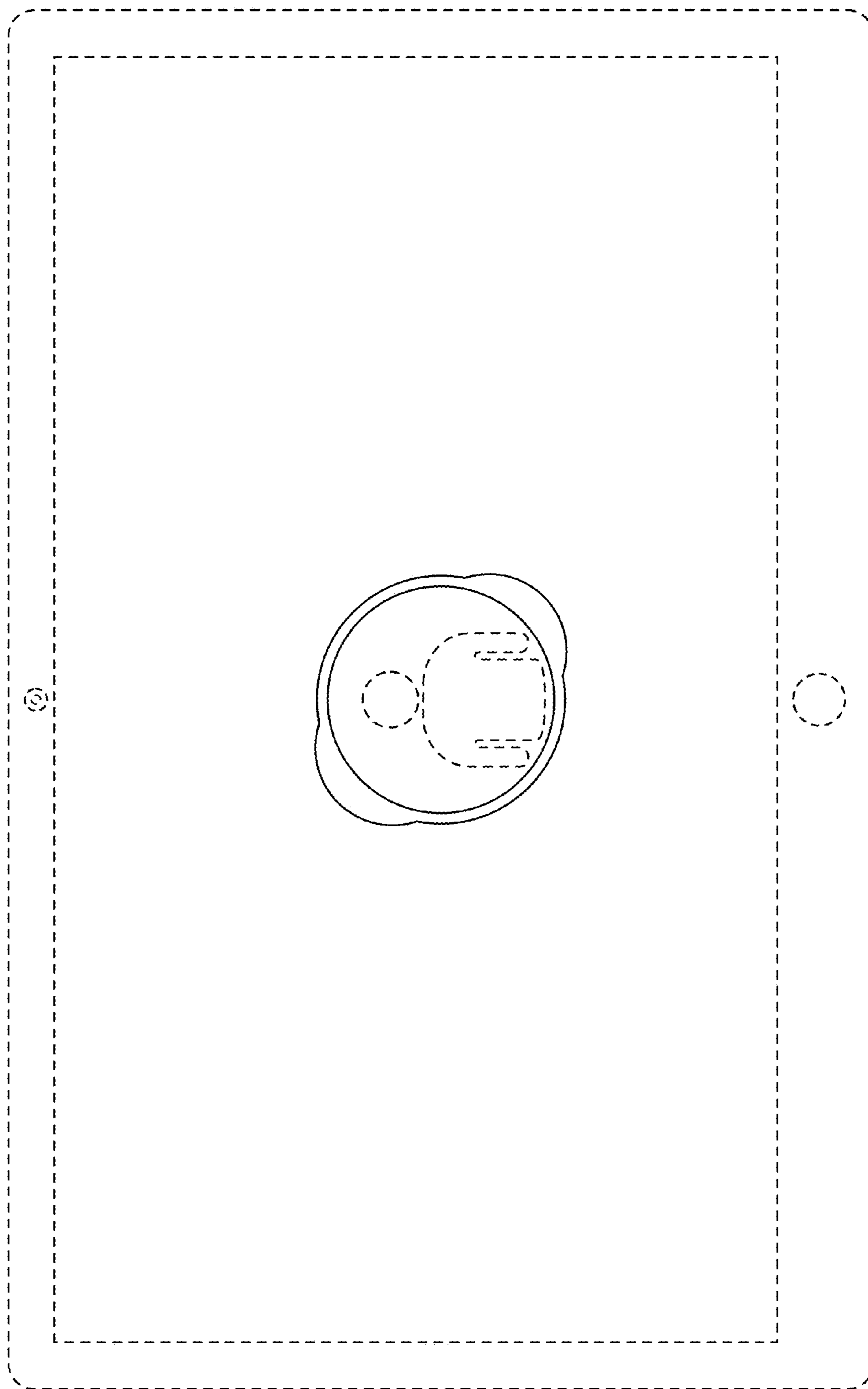


FIG. 1

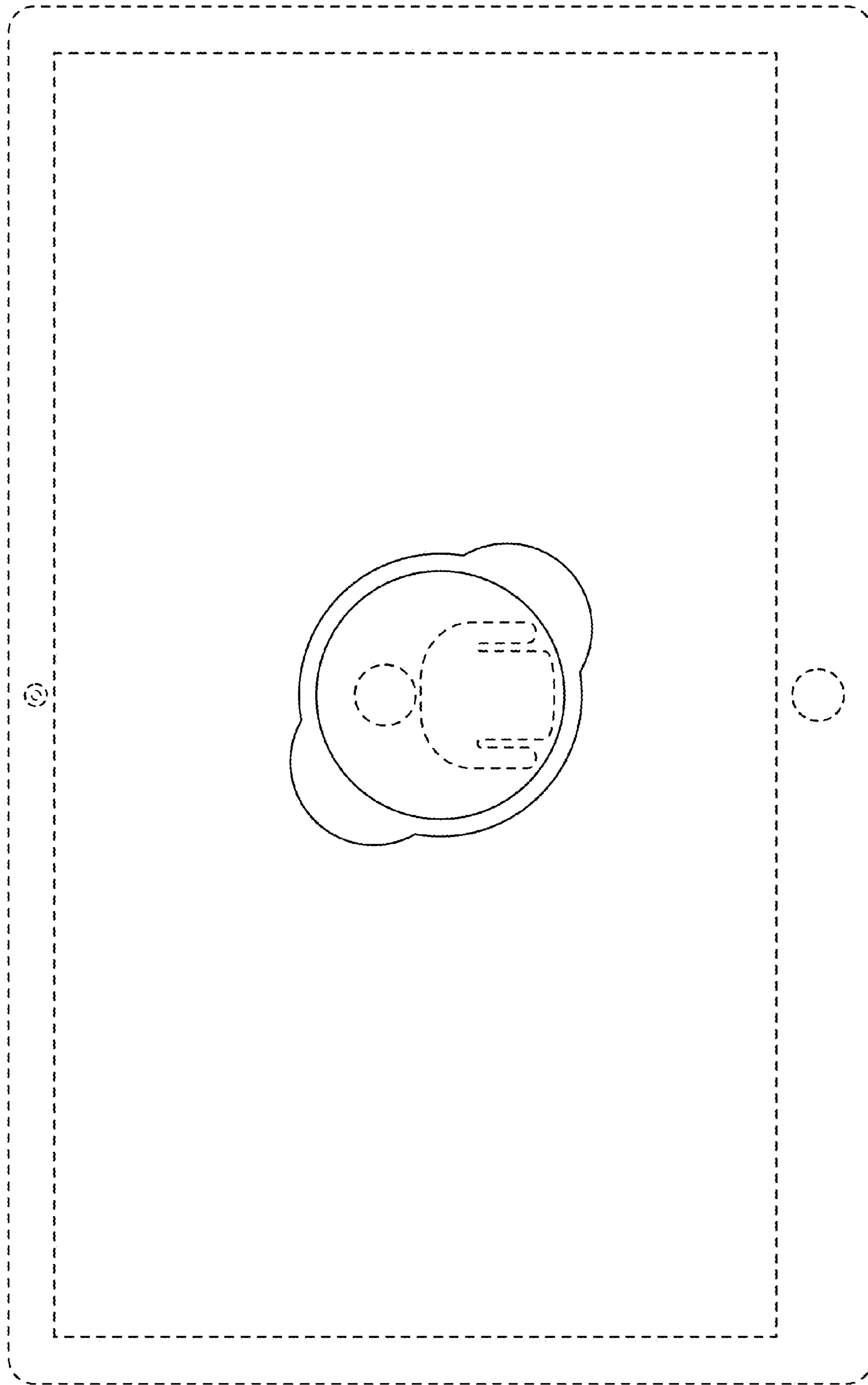


FIG. 2

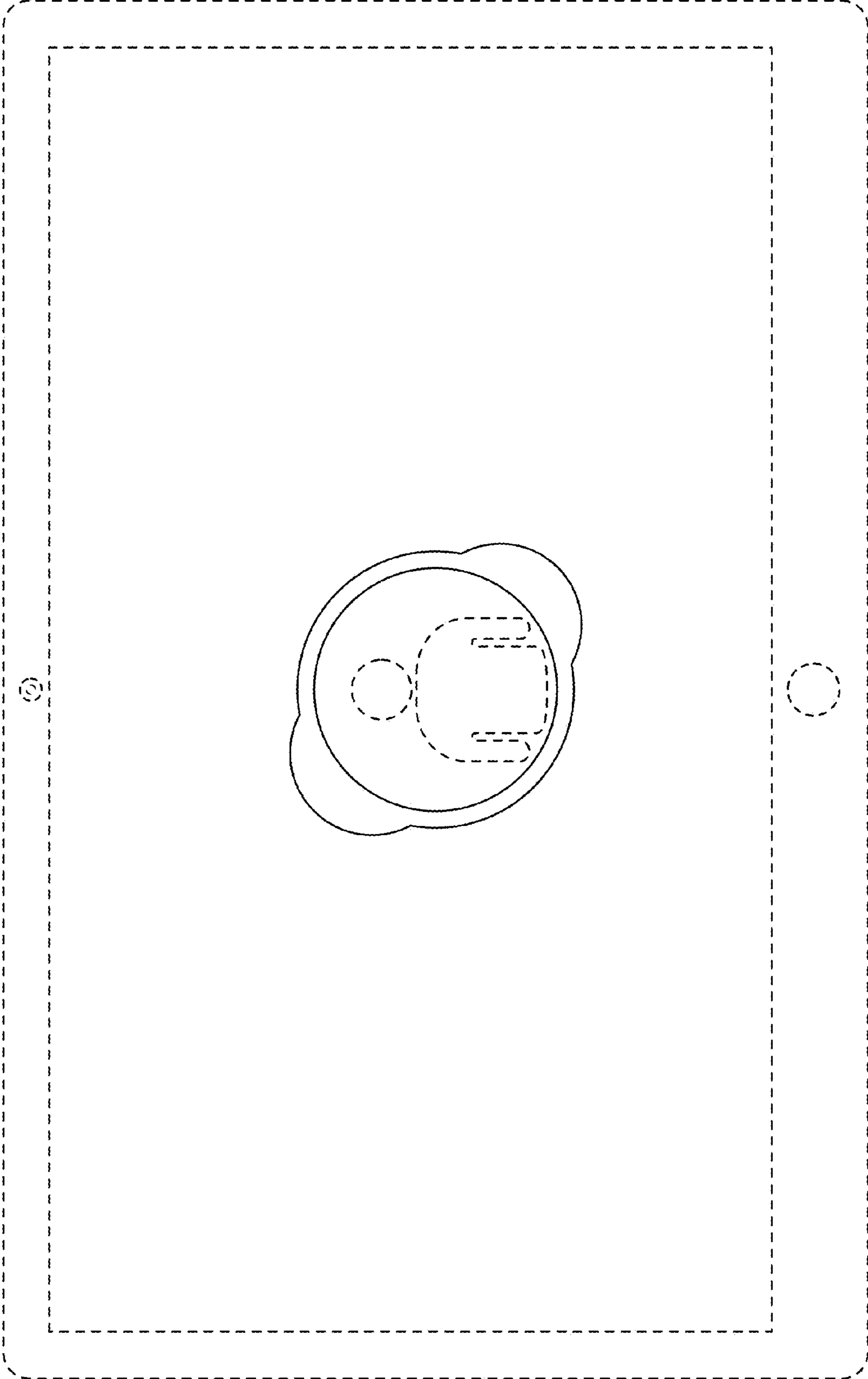


FIG. 3

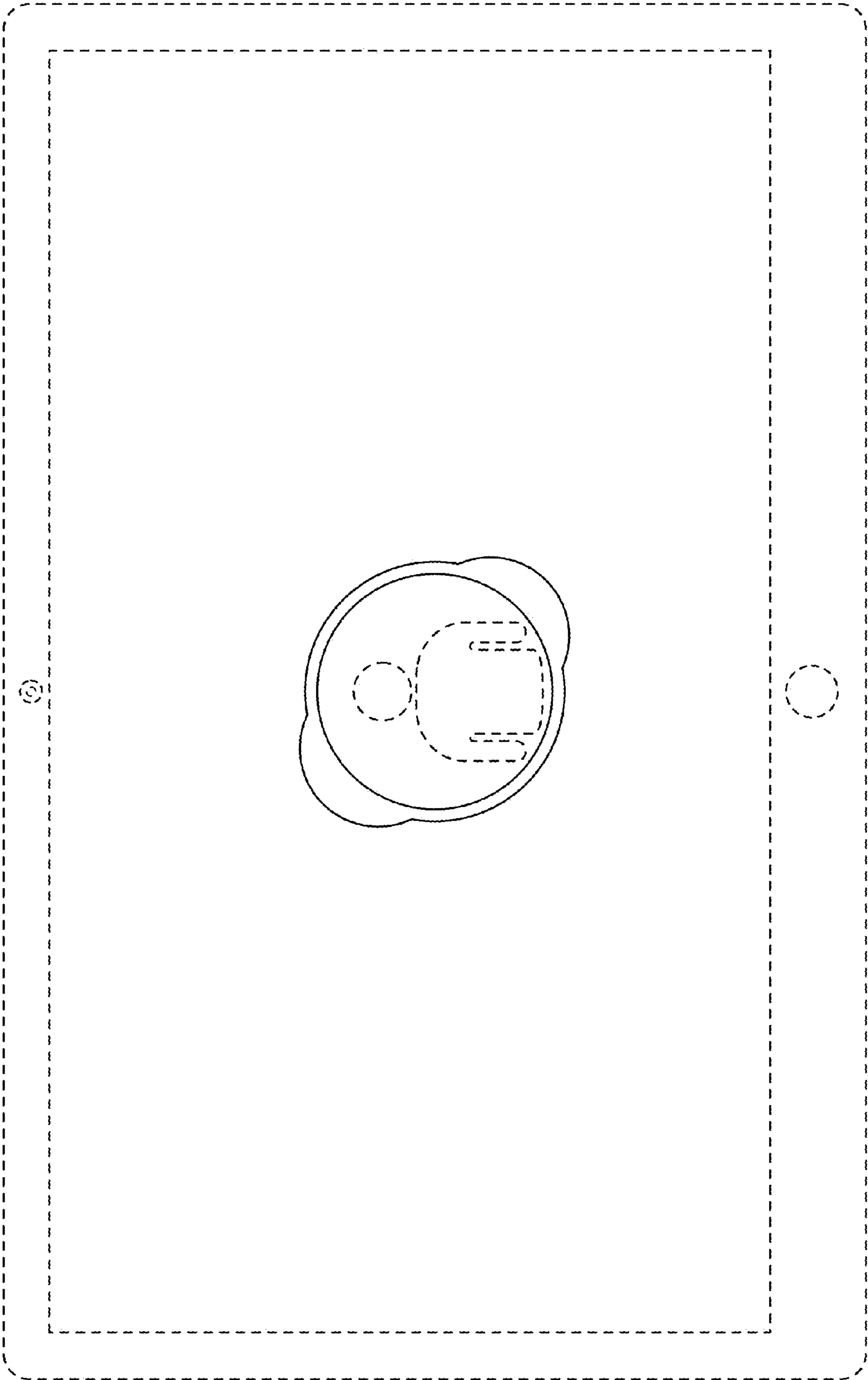


FIG. 4

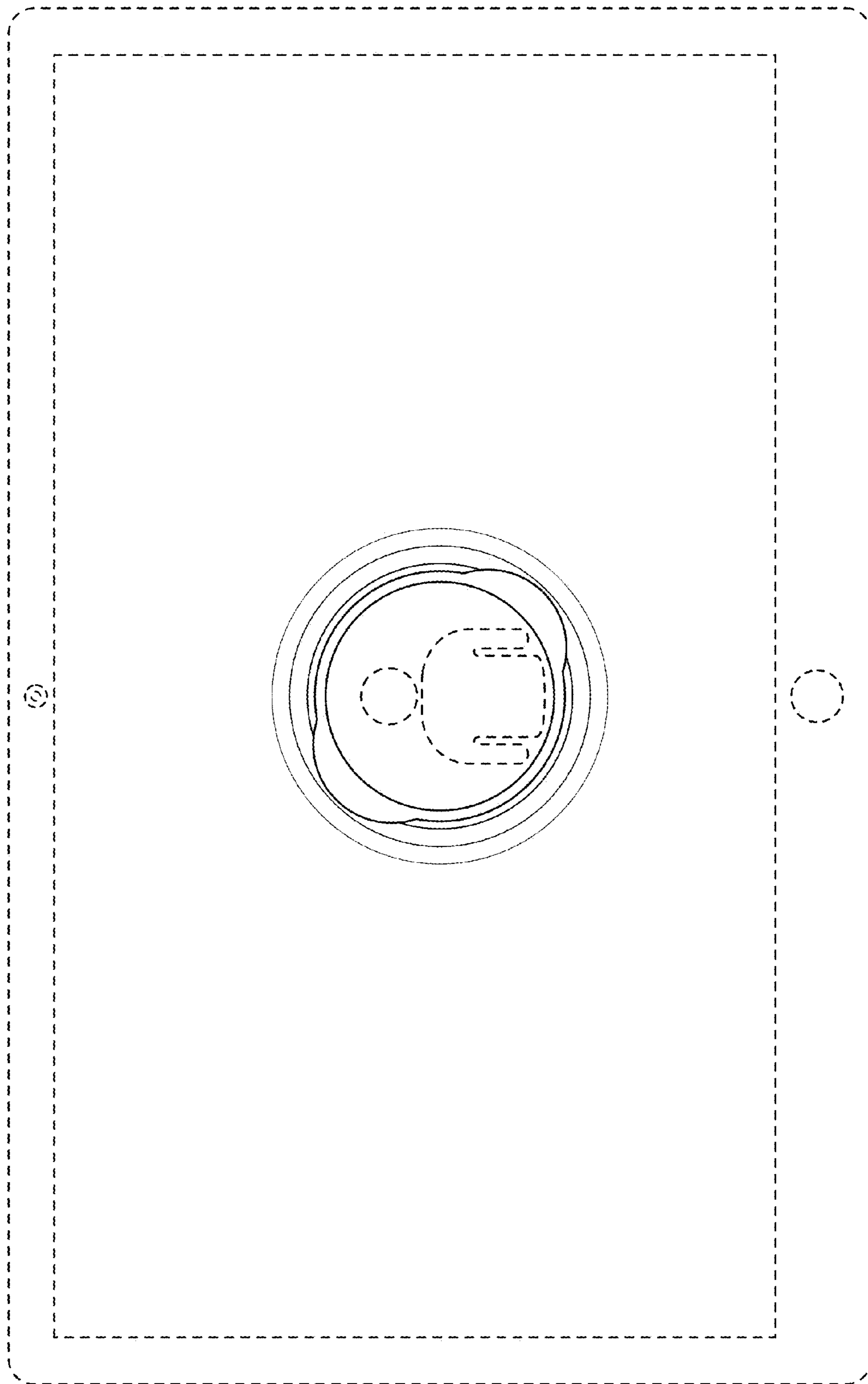


FIG. 5

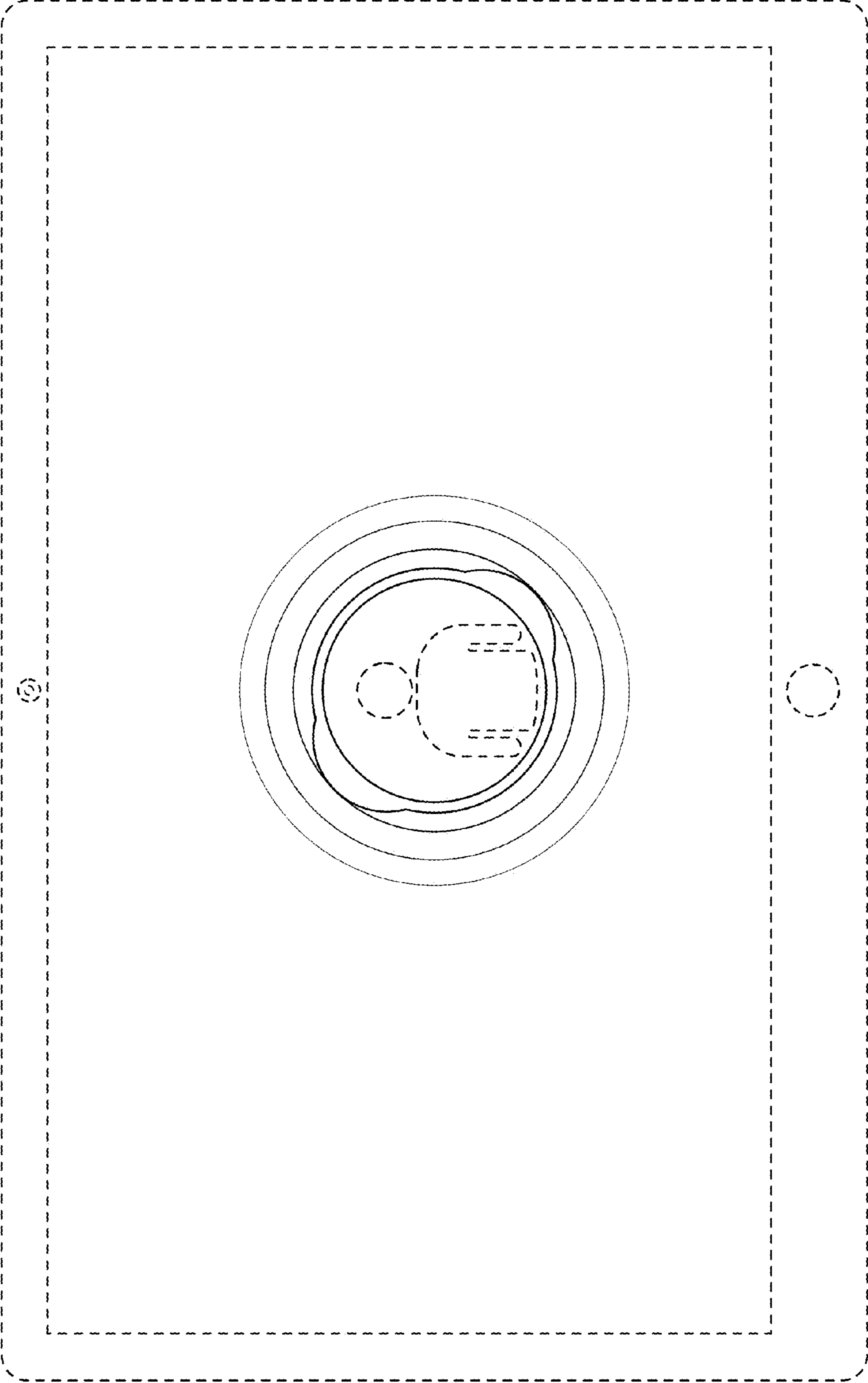


FIG. 6

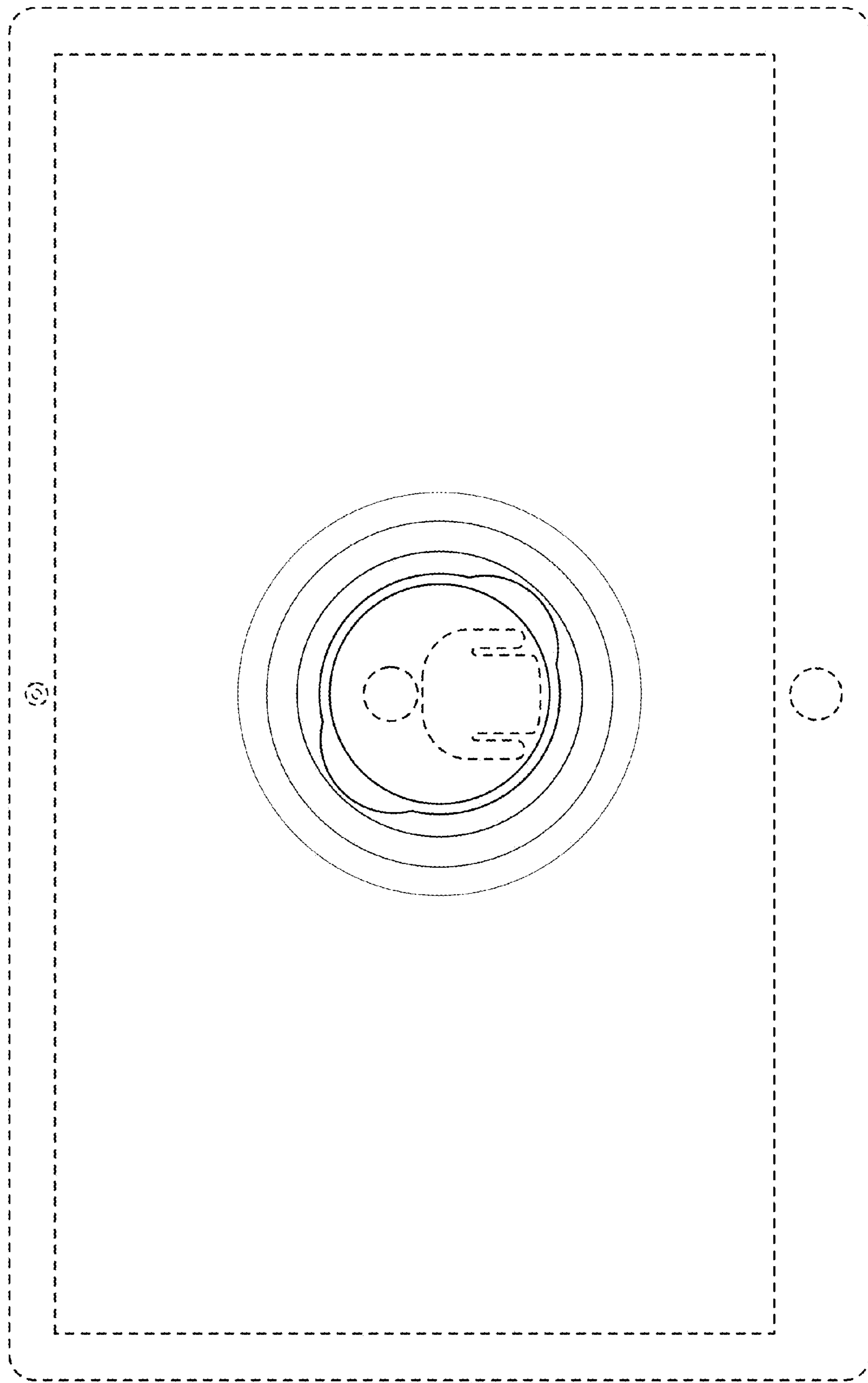


FIG. 7

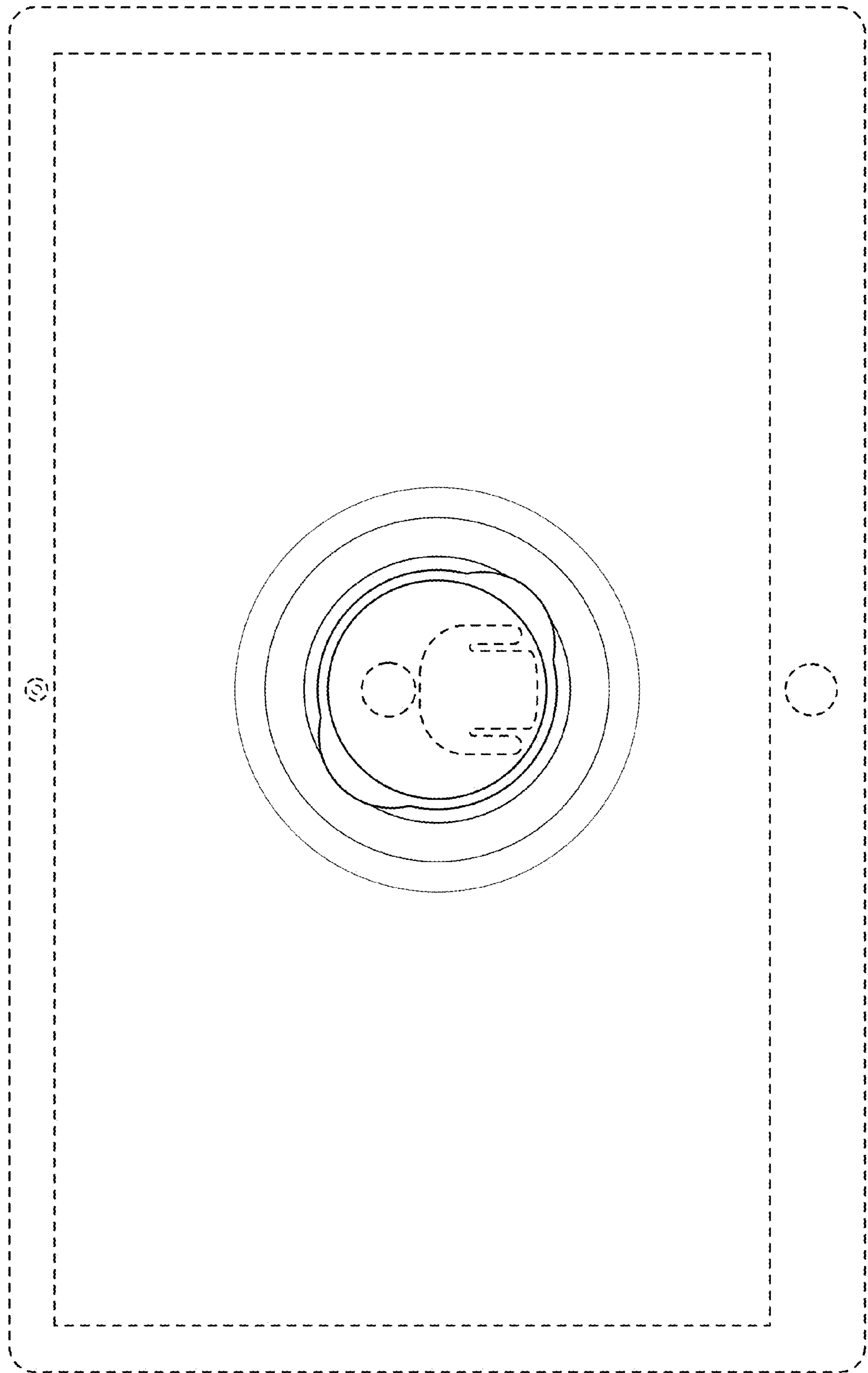


FIG. 8

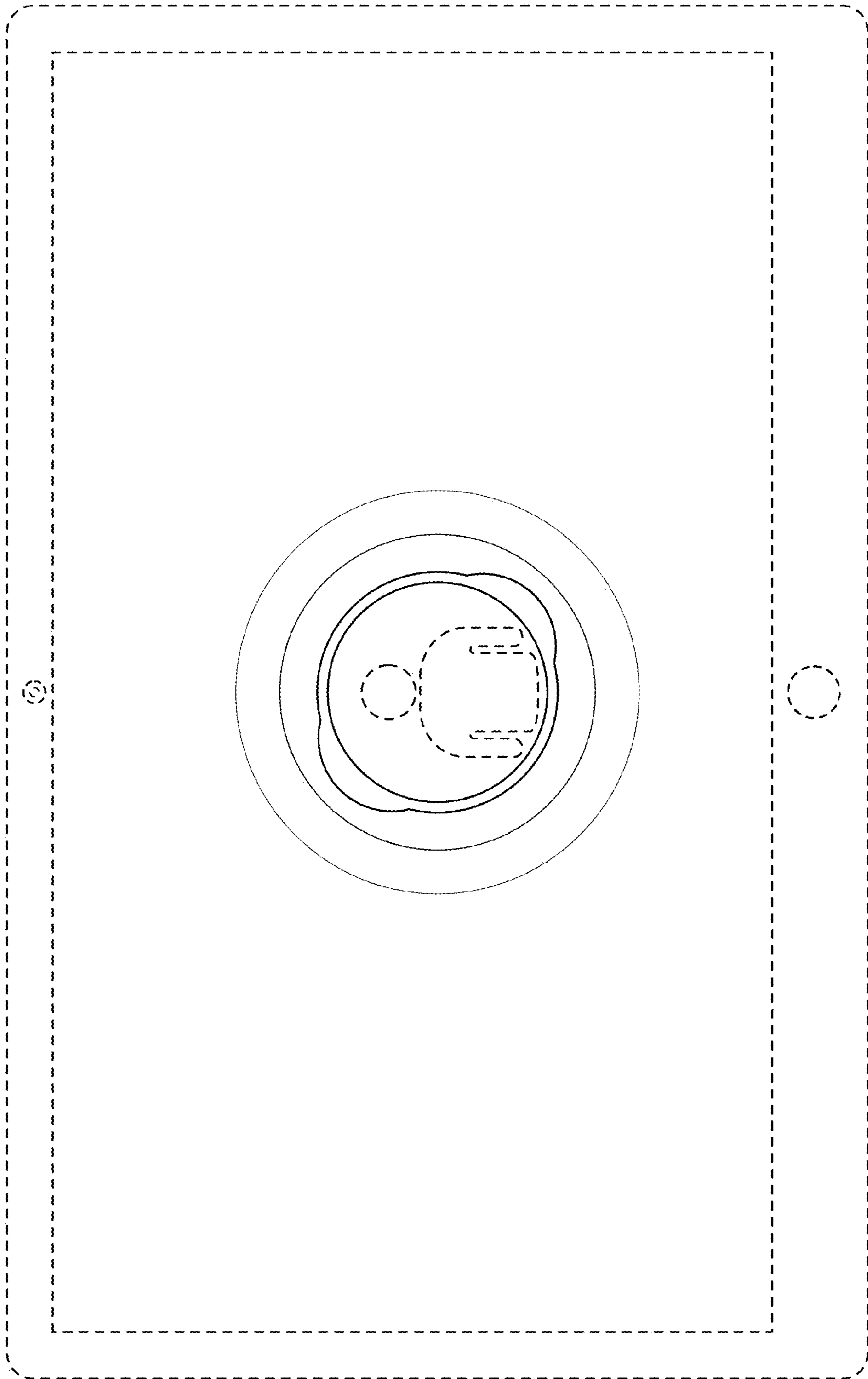


FIG. 9

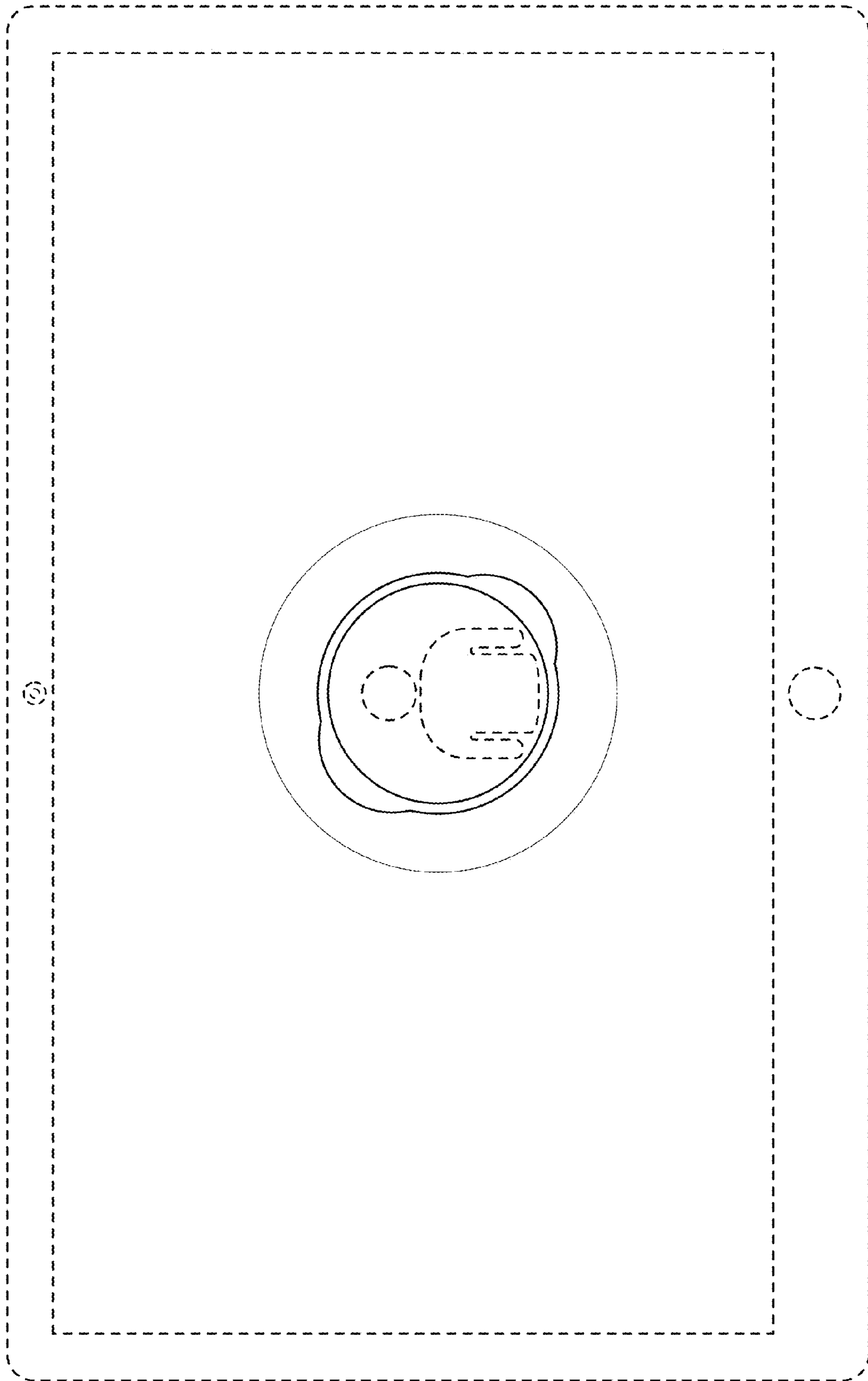


FIG. 10

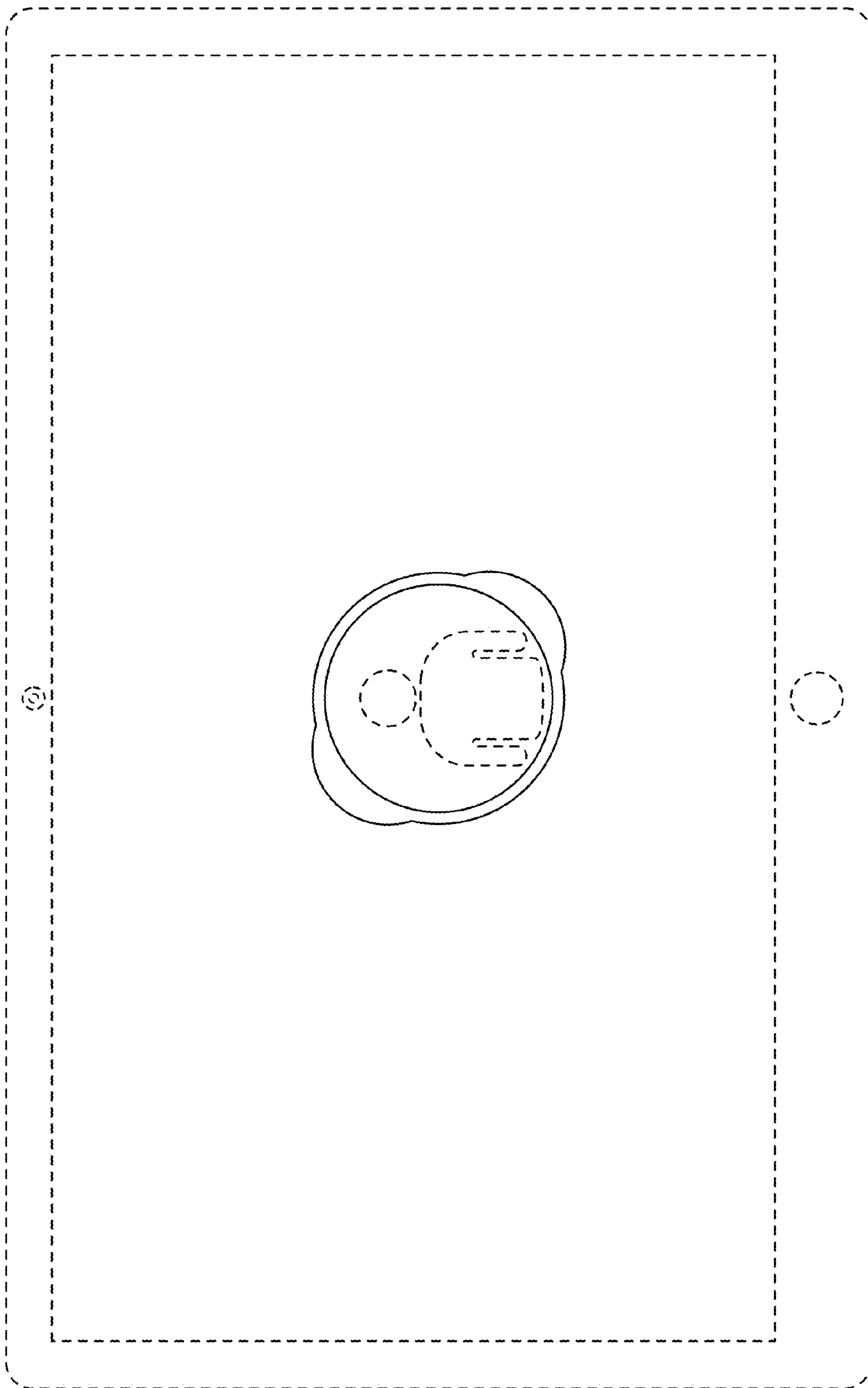


FIG. 11

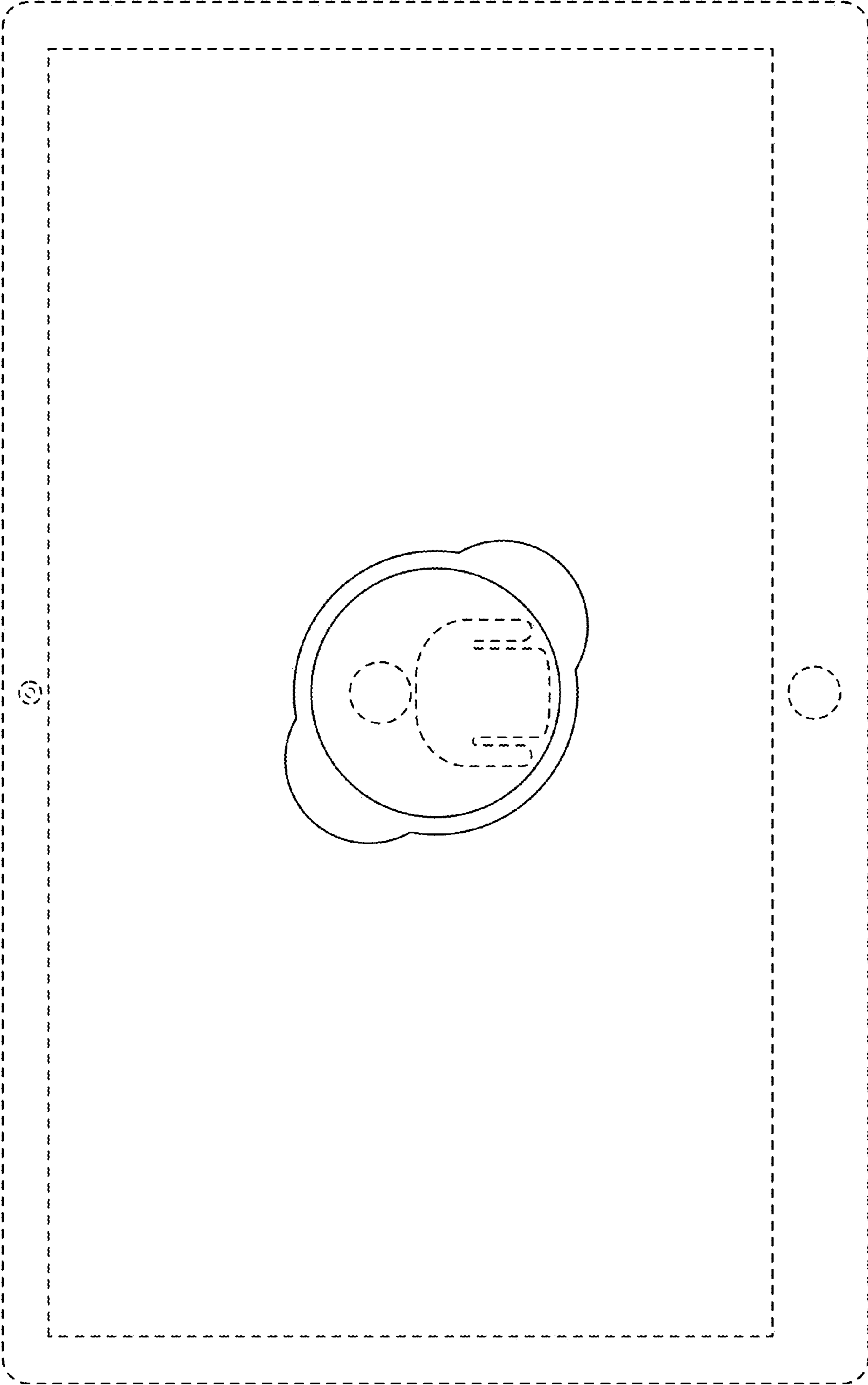


FIG. 12