



US00D746847S

(12) **United States Design Patent**
Bauer

(10) **Patent No.:** **US D746,847 S**

(45) **Date of Patent:** **** Jan. 5, 2016**

(54) **DISPLAY SCREEN WITH ANIMATED GRAPHICAL USER INTERFACE**

(71) Applicant: **Microsoft Corporation**, Redmond, WA (US)

(72) Inventor: **Nicolas Bauer**, Kirkland, WA (US)

(73) Assignee: **Microsoft Corporation**, Redmond, WA (US)

(**) Term: **14 Years**

(21) Appl. No.: **29/470,901**

(22) Filed: **Oct. 25, 2013**

(51) **LOC (10) Cl.** **14-04**

(52) **U.S. Cl.**
USPC **D14/486; D14/493**

(58) **Field of Classification Search**
USPC D14/485-495
CPC . G06F 3/048; G06F 3/04842; G06F 3/04847;
G06F 3/0481; G06F 17/211; G06F 17/212
See application file for complete search history.

(56) **References Cited**

U.S. PATENT DOCUMENTS

D424,541 S *	5/2000	Mugura	D14/486
D427,574 S *	7/2000	Sawada	D14/486
D441,762 S *	5/2001	Mugura	D14/486
D545,832 S *	7/2007	Armendariz	D14/487
D582,937 S	12/2008	Chen et al.		
D585,456 S *	1/2009	Chen	D14/486
D585,907 S *	2/2009	Blencowe	D14/486
D586,818 S *	2/2009	Luck	D14/485
D593,114 S *	5/2009	Vakkalanka	D14/486
D598,929 S *	8/2009	Bhat	D14/486
D614,636 S *	4/2010	Comertoglu	D14/486
D617,335 S *	6/2010	Ehrler	D14/486
D619,602 S *	7/2010	Ehrler	D14/486
7,890,881 B1 *	2/2011	Skidgel	G06F 17/212 715/243

D662,507 S *	6/2012	Mori	D14/486
D665,414 S *	8/2012	Lee	D14/488
D667,834 S *	9/2012	Coffman	D14/486
D674,402 S *	1/2013	Stillion	D14/486
D687,454 S	8/2013	Edwards et al.		
D696,686 S *	12/2013	Yuk	D14/486
D696,688 S *	12/2013	Yuk	D14/486
D699,739 S *	2/2014	Voreis	D14/486
D705,245 S *	5/2014	Coffman	D14/486
D709,904 S *	7/2014	Wong	D14/486
D714,339 S *	9/2014	Hendrickson	D14/487
D717,814 S *	11/2014	Zuckerberg	D14/486
D724,603 S *	3/2015	Williams	D14/485
D725,670 S *	3/2015	Zhang	D14/488
D731,509 S *	6/2015	Sueishi	D14/486

(Continued)

Primary Examiner — Cathron Brooks

Assistant Examiner — Daniel J Domino

(74) *Attorney, Agent, or Firm* — Banner & Witcoff, Ltd.

(57) **CLAIM**

The ornamental design for a display screen with animated graphical user interface, as shown and described.

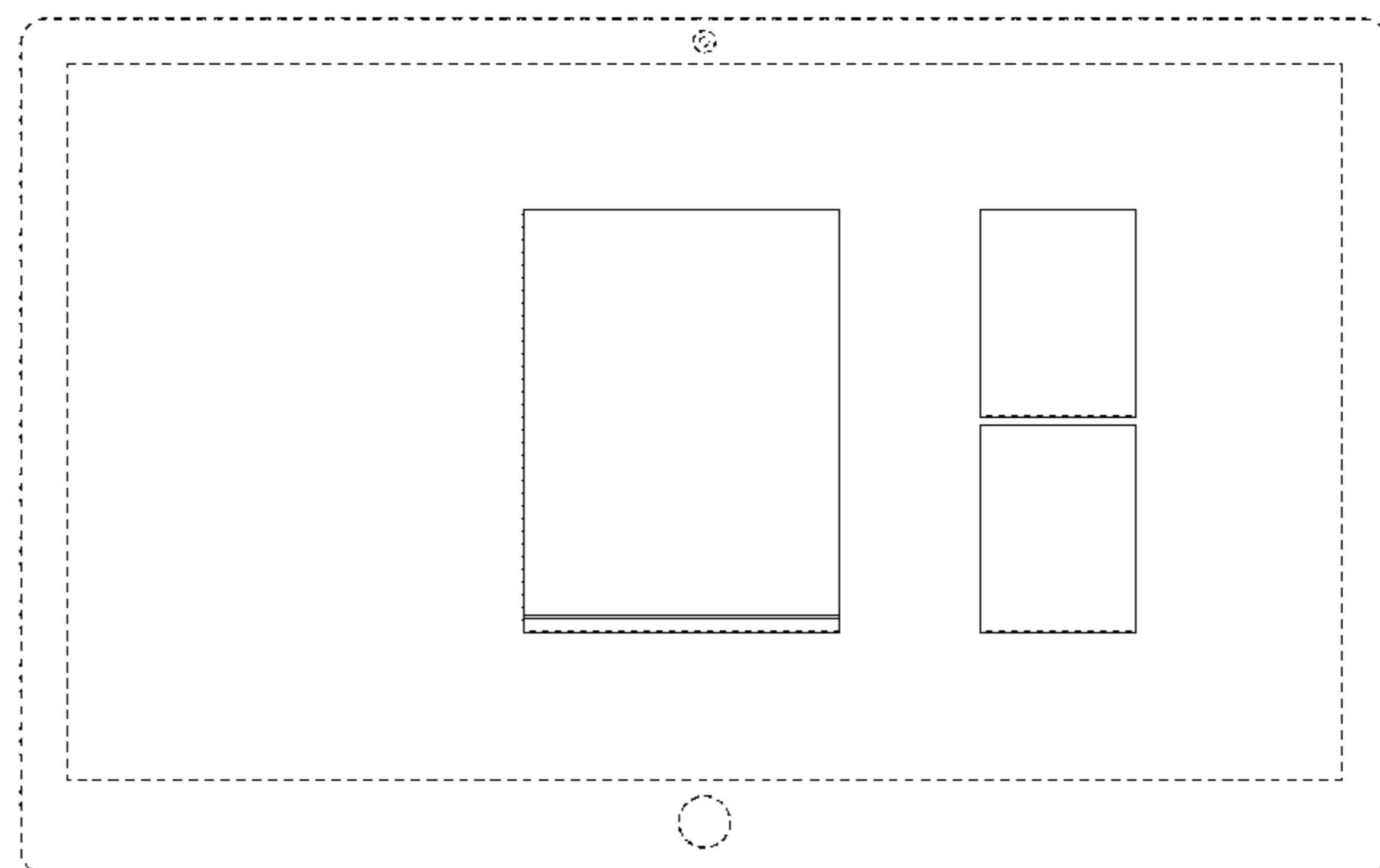
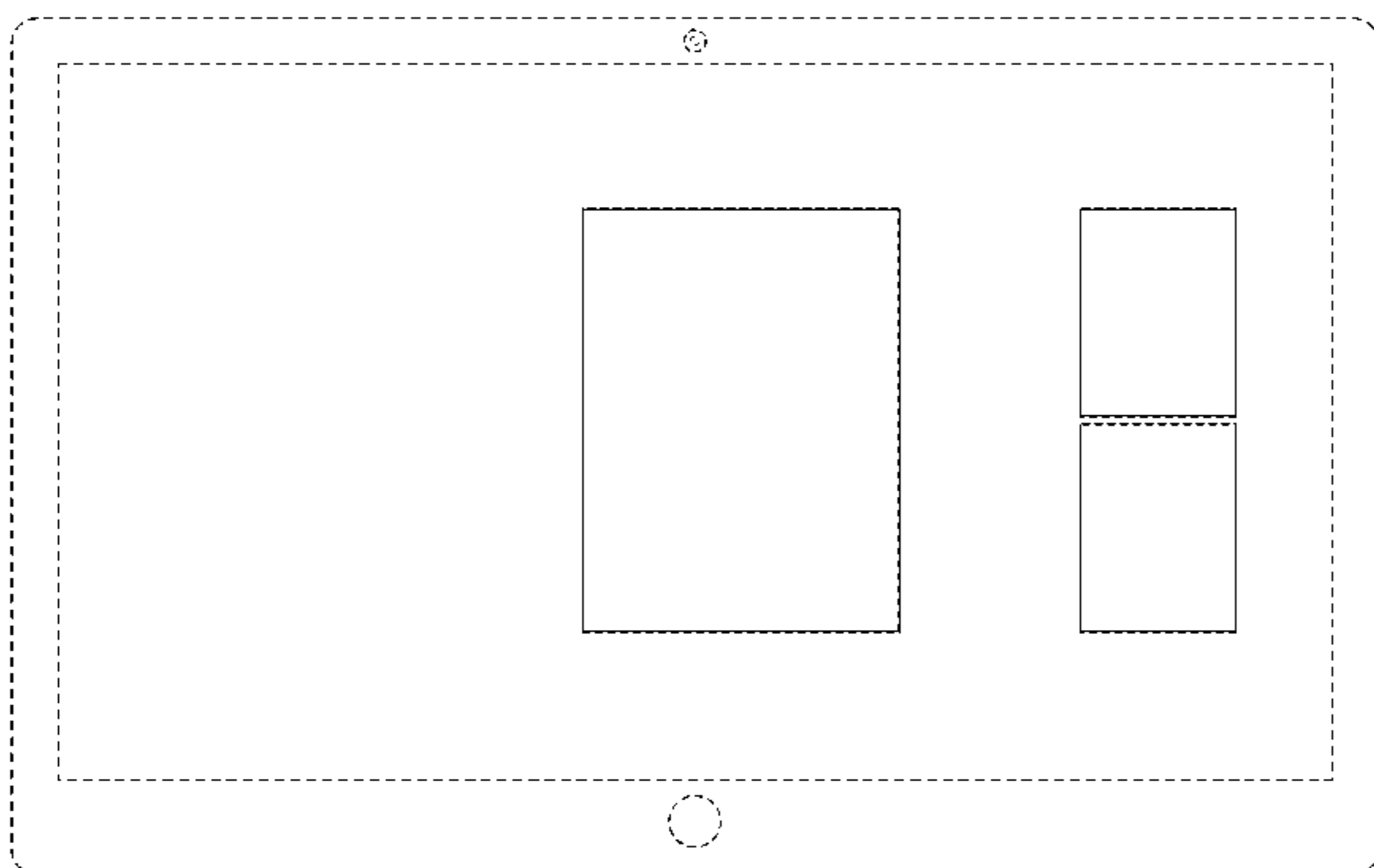
DESCRIPTION

FIG. 1 is the first image in a sequence for a display screen with animated graphical user interface showing my new design; FIG. 2 is the second image thereof; FIG. 3 is the third image thereof; FIG. 4 is the fourth image thereof; FIG. 5 is the fifth image thereof; FIG. 6 is the sixth image thereof; and, FIG. 7 is the seventh image thereof.

The appearance of the animated user interface sequentially transitions between the images shown in FIGS. 1-7. The process or period in which one image transitions to another forms no part of the claimed design.

The broken line showing of the text, remainder of the user interface, display screen, and the device is for environmental purposes only and forms no part of the claimed design.

1 Claim, 7 Drawing Sheets



(56)

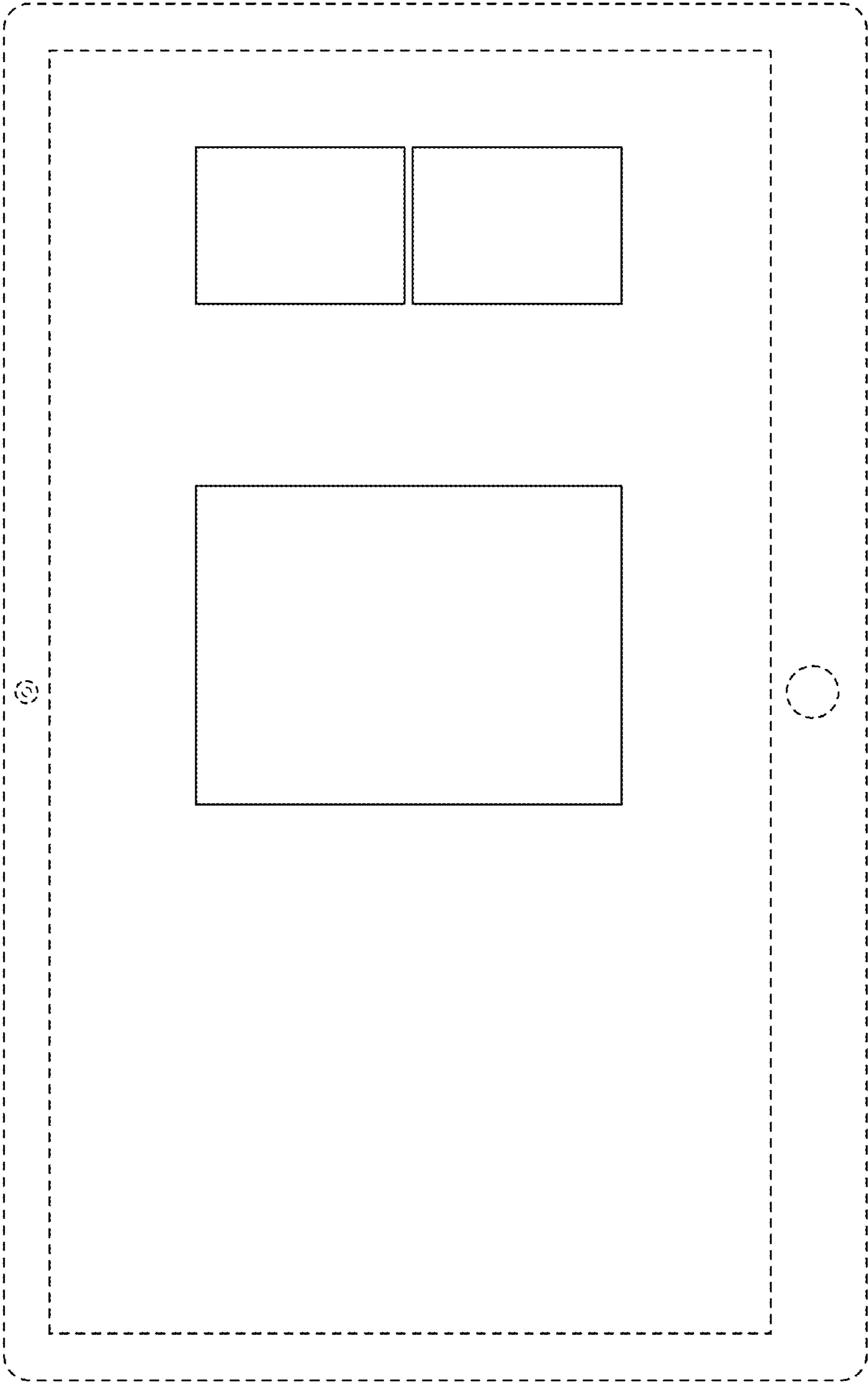
References Cited

U.S. PATENT DOCUMENTS

D731,535 S * 6/2015 Seo D14/488
 D734,359 S * 7/2015 Kim D14/488
 D734,776 S * 7/2015 Kitamorn D14/488
 D735,220 S * 7/2015 Seo D14/486
 D735,746 S * 8/2015 Zuckerberg D14/486
 2007/0162855 A1* 7/2007 Hawk G11B 27/34
 2008/0016442 A1* 1/2008 Khoo G06Q 99/00
 2009/0100373 A1* 4/2009 Pixley G06F 3/03543
 2010/0169389 A1* 7/2010 Weber G06F 17/30056
 2010/0169783 A1* 7/2010 Weber G11B 27/034
 2010/0313165 A1* 12/2010 Louch G06F 3/0481

2011/0074918 A1* 3/2011 Klappert H04N 13/007
 2011/0161806 A1* 6/2011 Stern G06F 17/211
 2011/0225522 A1* 9/2011 Kamiyama G06F 8/34
 2013/0127870 A1* 5/2013 Baudel G06F 9/4443
 2013/0212499 A1* 8/2013 Mentchoukov G06F 17/3089
 2014/0075274 A1* 3/2014 Lu G06Q 30/0241
 2015/0128014 A1* 5/2015 Monroe G06F 3/0482
 2015/0128164 A1* 5/2015 Fundament G06F 3/048
 2015/0169500 A1* 6/2015 Balinsky G06Q 10/06

* cited by examiner



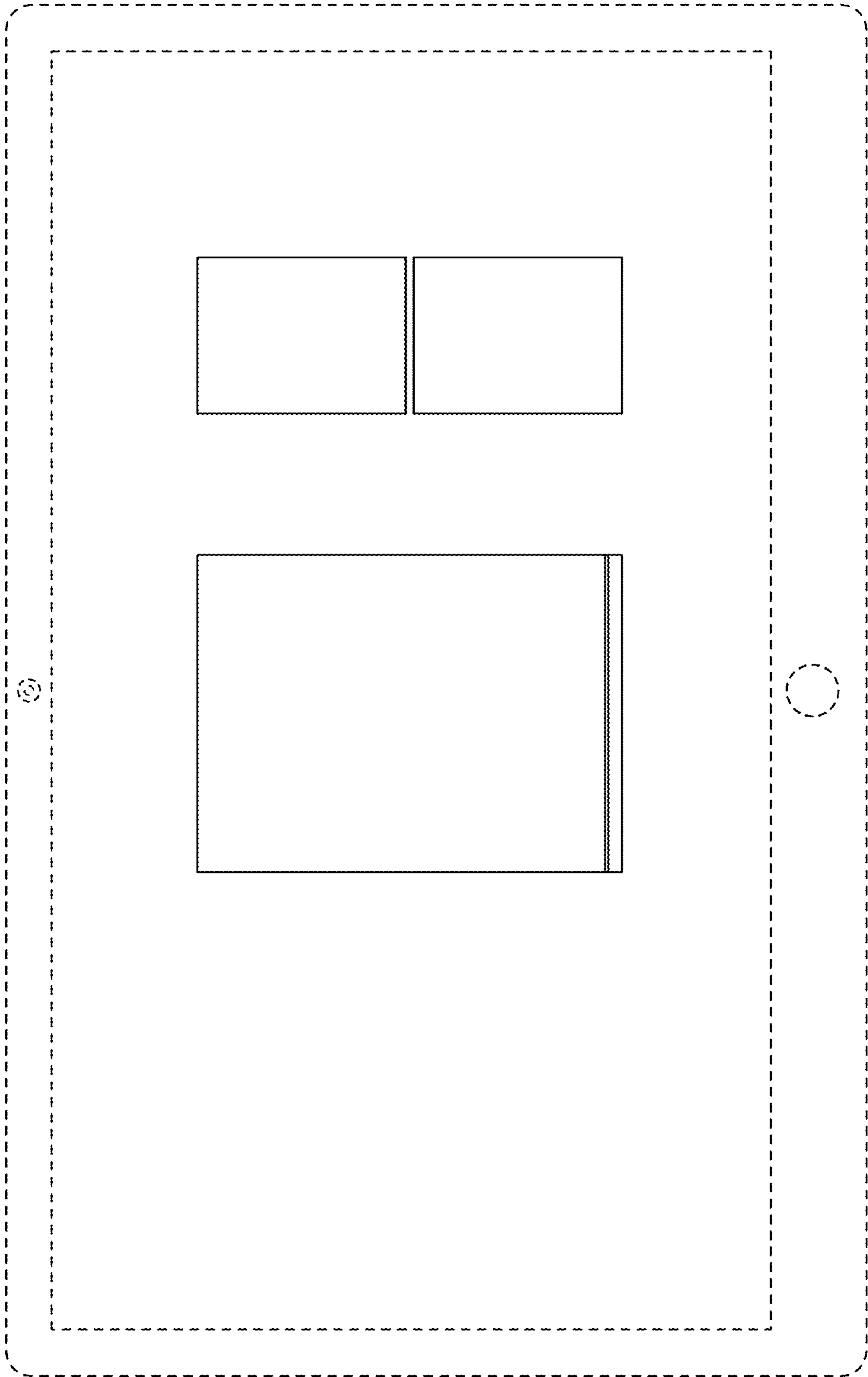


FIG. 2

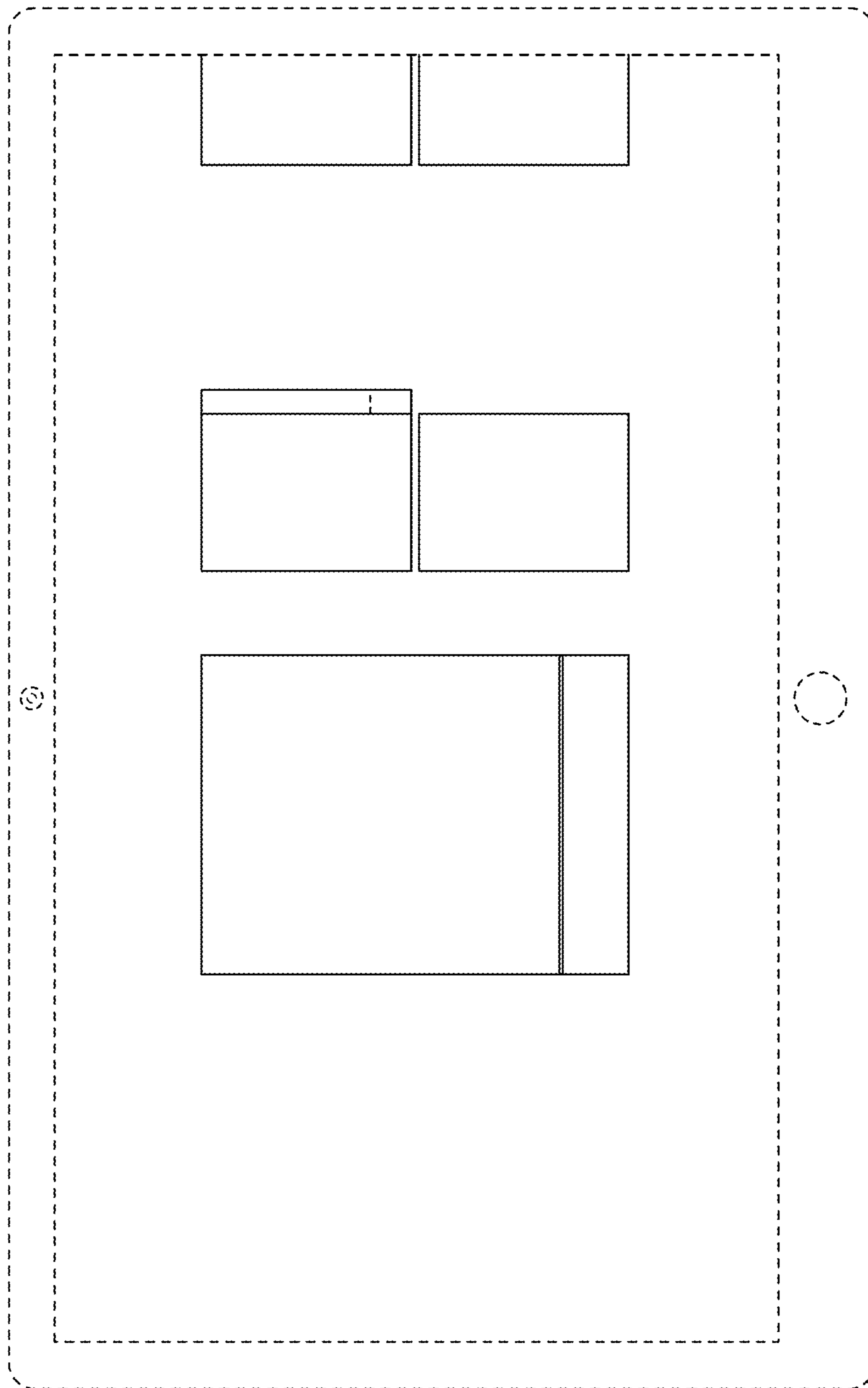


FIG. 3

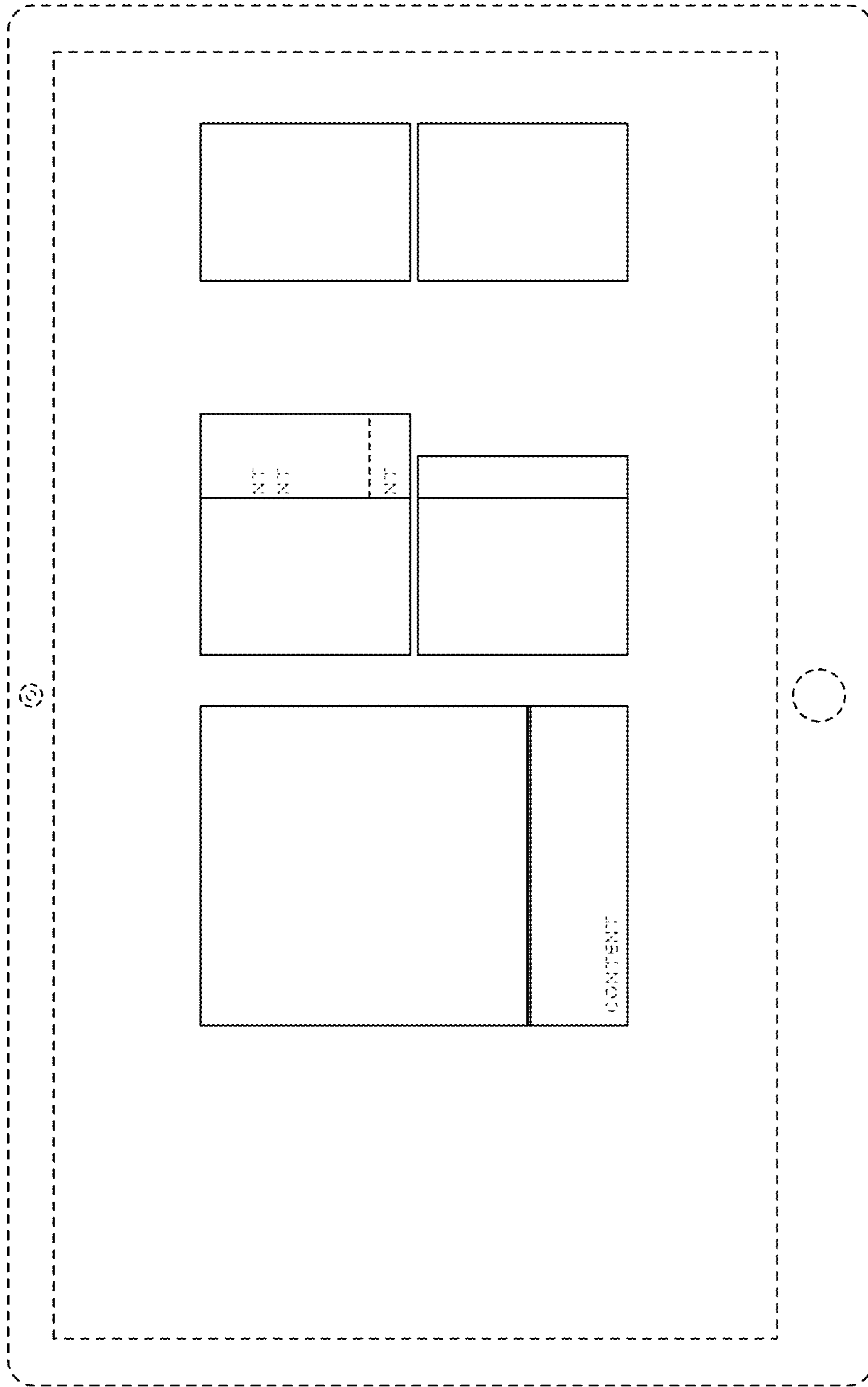


FIG. 4

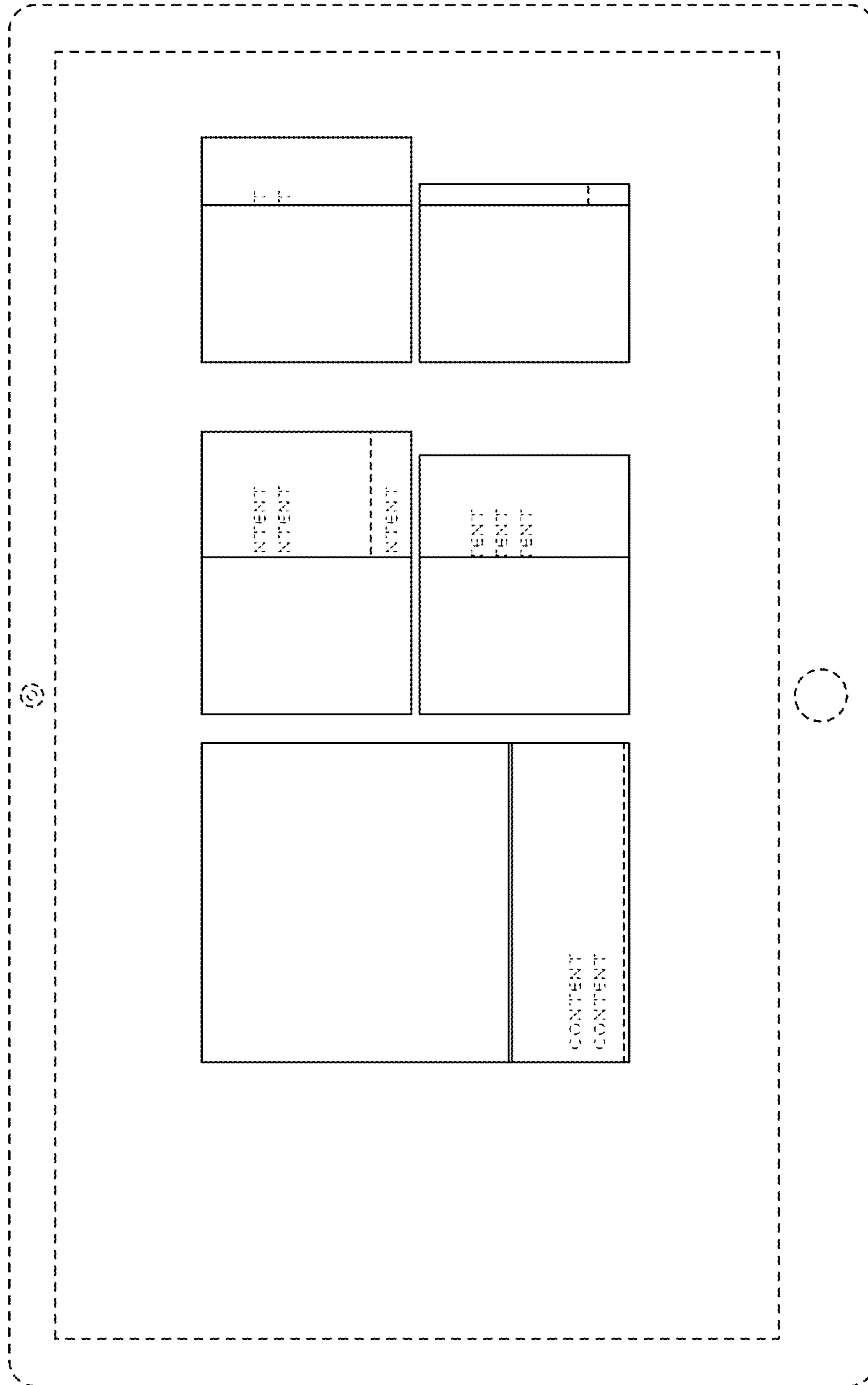


FIG. 5

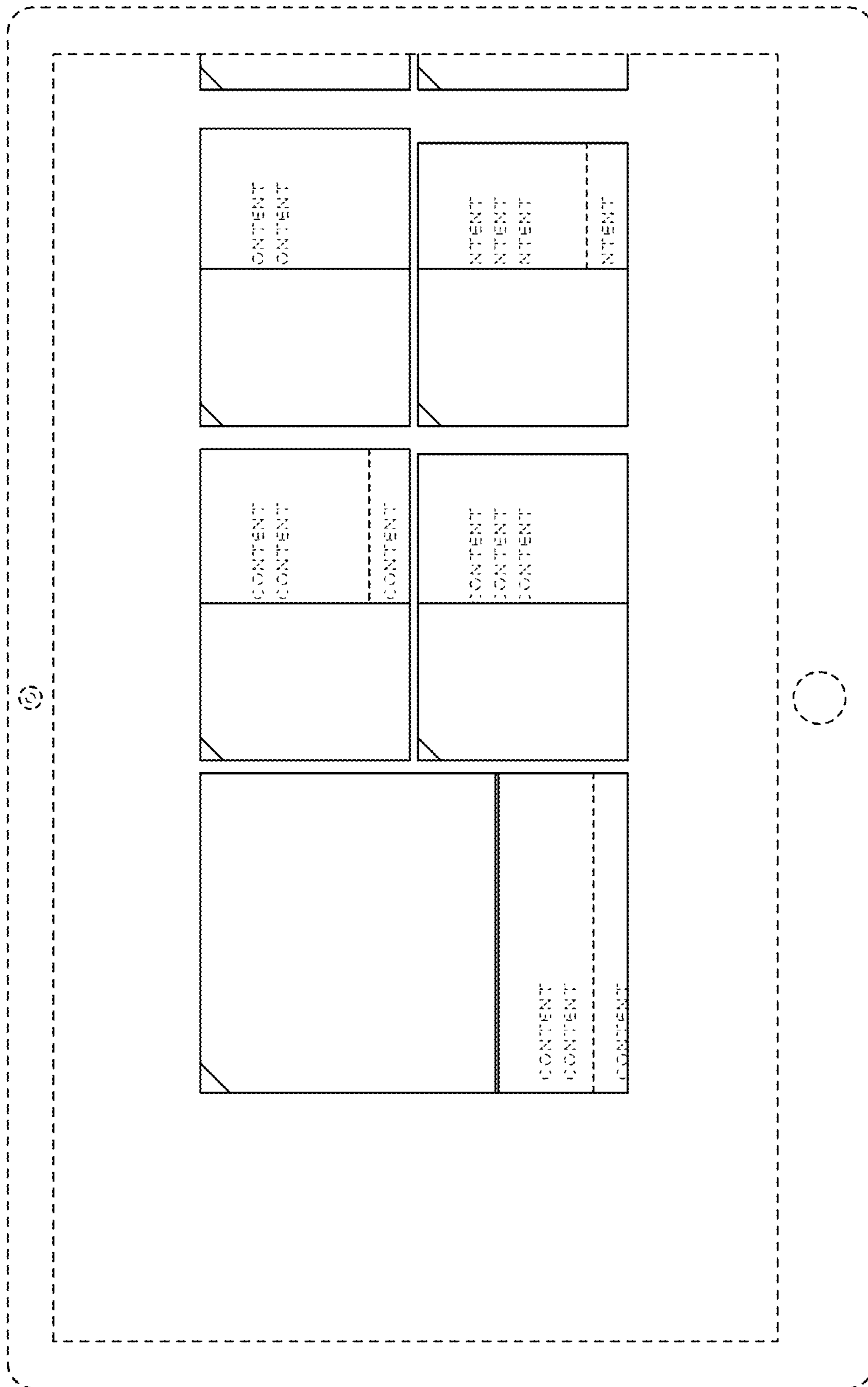


FIG. 6

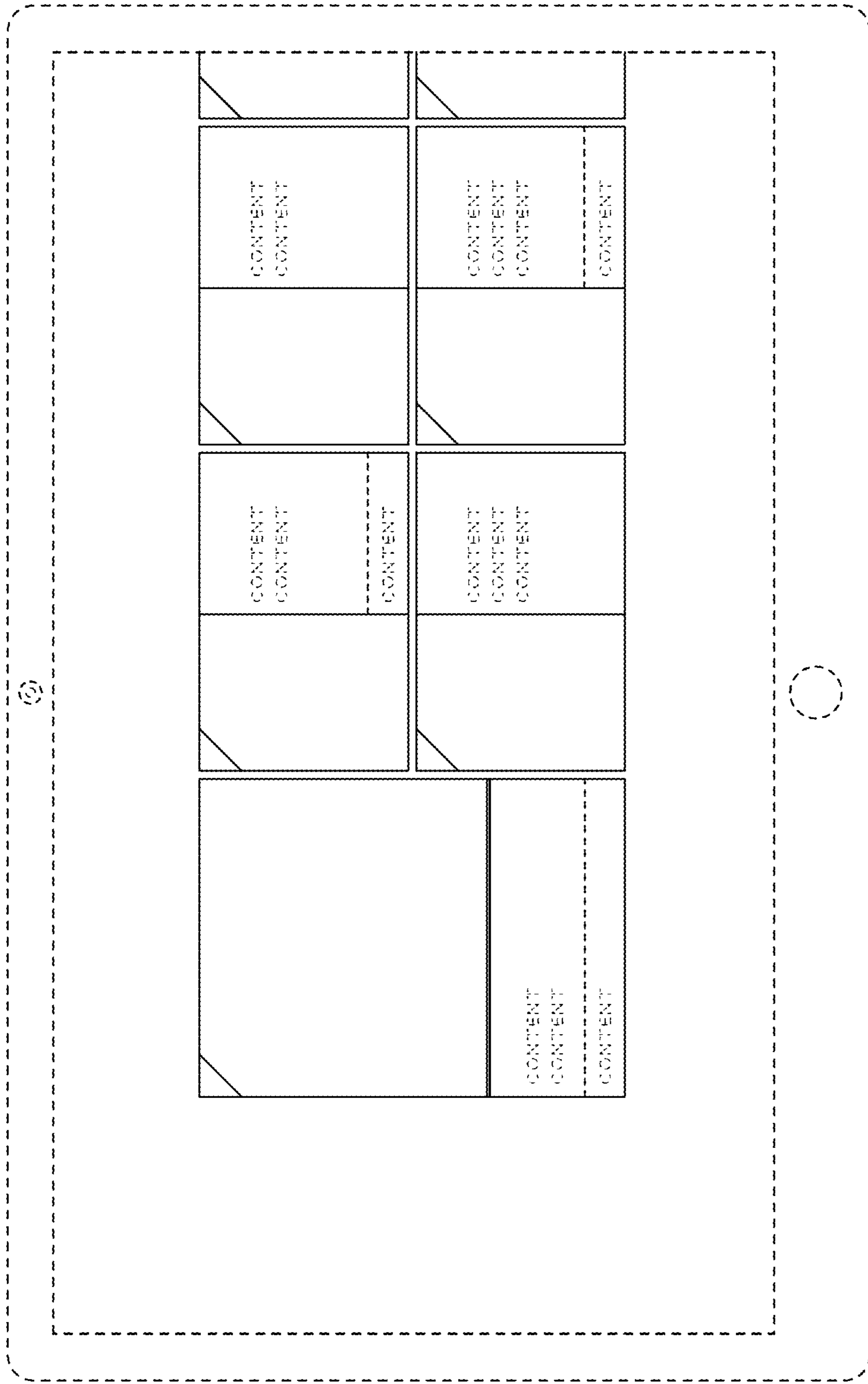


FIG. 7