



US00D746834S

(12) **United States Design Patent**
Gray et al.

(10) **Patent No.:** **US D746,834 S**
(45) **Date of Patent:** **** Jan. 5, 2016**

(54) **DISPLAY SCREEN WITH ANIMATED GRAPHICAL USER INTERFACE**

(71) Applicant: **Microsoft Corporation**, Redmond, WA (US)

(72) Inventors: **Matthew Frederick Gray**, Oslo (NO); **Shasha Tang**, Oslo (NO)

(73) Assignee: **Microsoft Corporation**, Redmond, WA (US)

(**) Term: **14 Years**

(21) Appl. No.: **29/494,583**

(22) Filed: **Jun. 23, 2014**

(51) **LOC (10) Cl.** **14-04**

(52) **U.S. Cl.**
USPC **D14/485**

(58) **Field of Classification Search**
USPC D14/485-495
CPC G06Q 50/01; G06Q 50/91; G06Q 50/101;
G06F 2206/1108; G06T 11/001-11/003;
G06T 11/20-11/80; G06T 13/20; G06T
17/00-17/30
See application file for complete search history.

(56) **References Cited**

U.S. PATENT DOCUMENTS

D667,419 S	9/2012	Rai et al.	
D686,231 S *	7/2013	Rodenhouse	D14/486
D695,774 S *	12/2013	Rodenhouse	D14/486
D699,751 S *	2/2014	Pearson	D14/488
D700,209 S *	2/2014	Tanghe	D14/492
D705,247 S *	5/2014	McCormack	D14/486
D710,870 S *	8/2014	McCormack	D14/486
D712,923 S *	9/2014	Lee	D14/488
8,923,551 B1 *	12/2014	Grosz	H04N 1/00145 382/100
D722,318 S *	2/2015	Moore	D14/486
D722,608 S *	2/2015	Donahue	D14/486
D735,236 S *	7/2015	Keavney	D14/488

D737,304 S *	8/2015	Urdan	D14/486
D738,902 S *	9/2015	Roberts	D14/487
D739,866 S *	9/2015	Urdan	D14/486
D739,870 S *	9/2015	Roberts	D14/487
2014/0372919 A1 *	12/2014	Fan	G06F 3/04817 715/765
2015/0248222 A1 *	9/2015	Stickler	G06Q 10/00 715/763
2015/0248410 A1 *	9/2015	Stickler	G06F 17/3053 707/728

OTHER PUBLICATIONS

Office 365 Team, "Introducing Delve (codename Oslo) and the Office Graph." Office Blogs (blogs.office.com), posted Mar. 11, 2014 [Retrieved from the Internet, Oct. 28, 2105]. Internet URL: <https://blogs.office.com/2014/03/11/introducing-codename-oslo-and-the-office-graph/>.*

(Continued)

Primary Examiner — Eric Goodman

Assistant Examiner — Rachel Voorhies

(74) *Attorney, Agent, or Firm* — Banner & Witcoff, Ltd.

(57) **CLAIM**

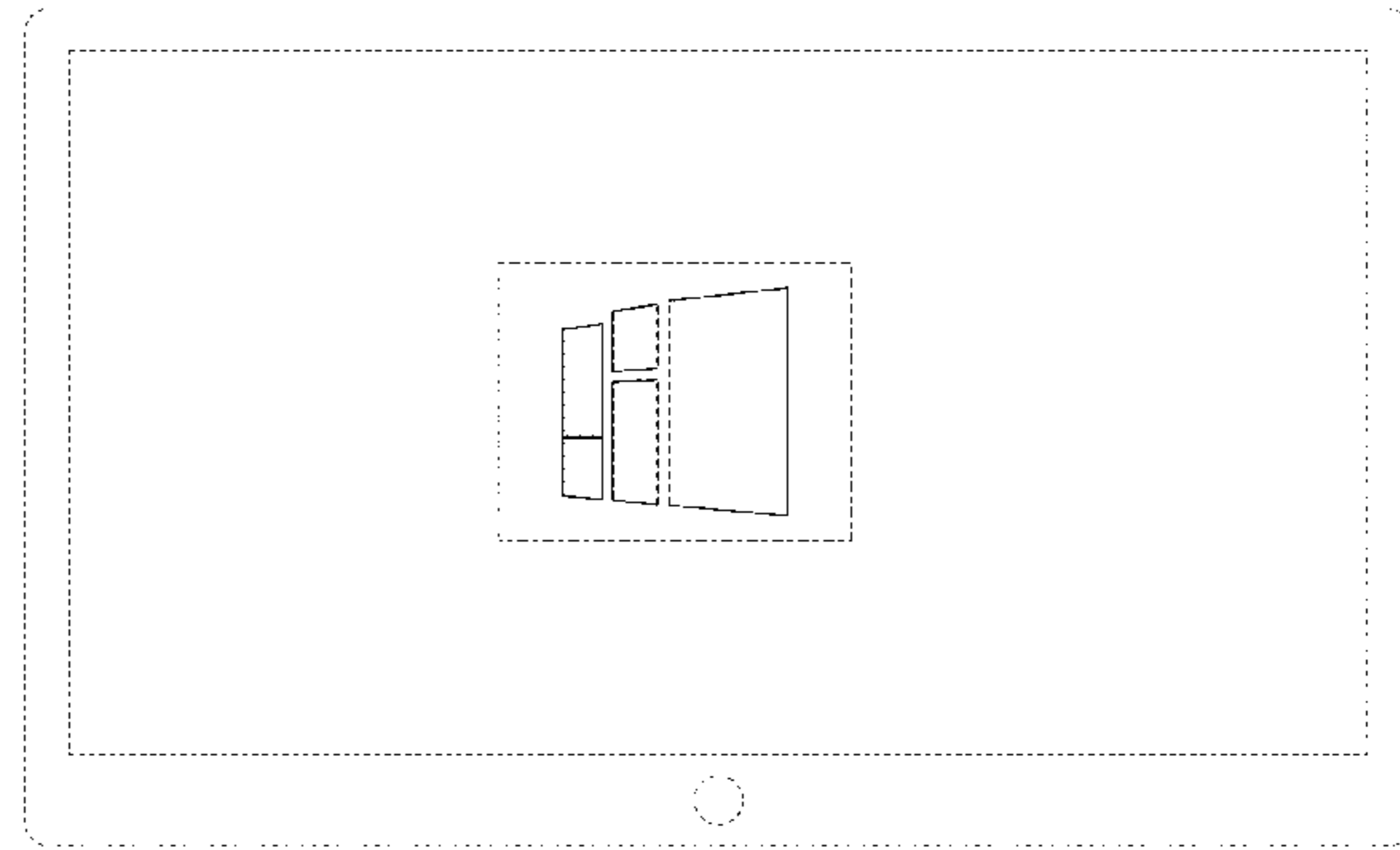
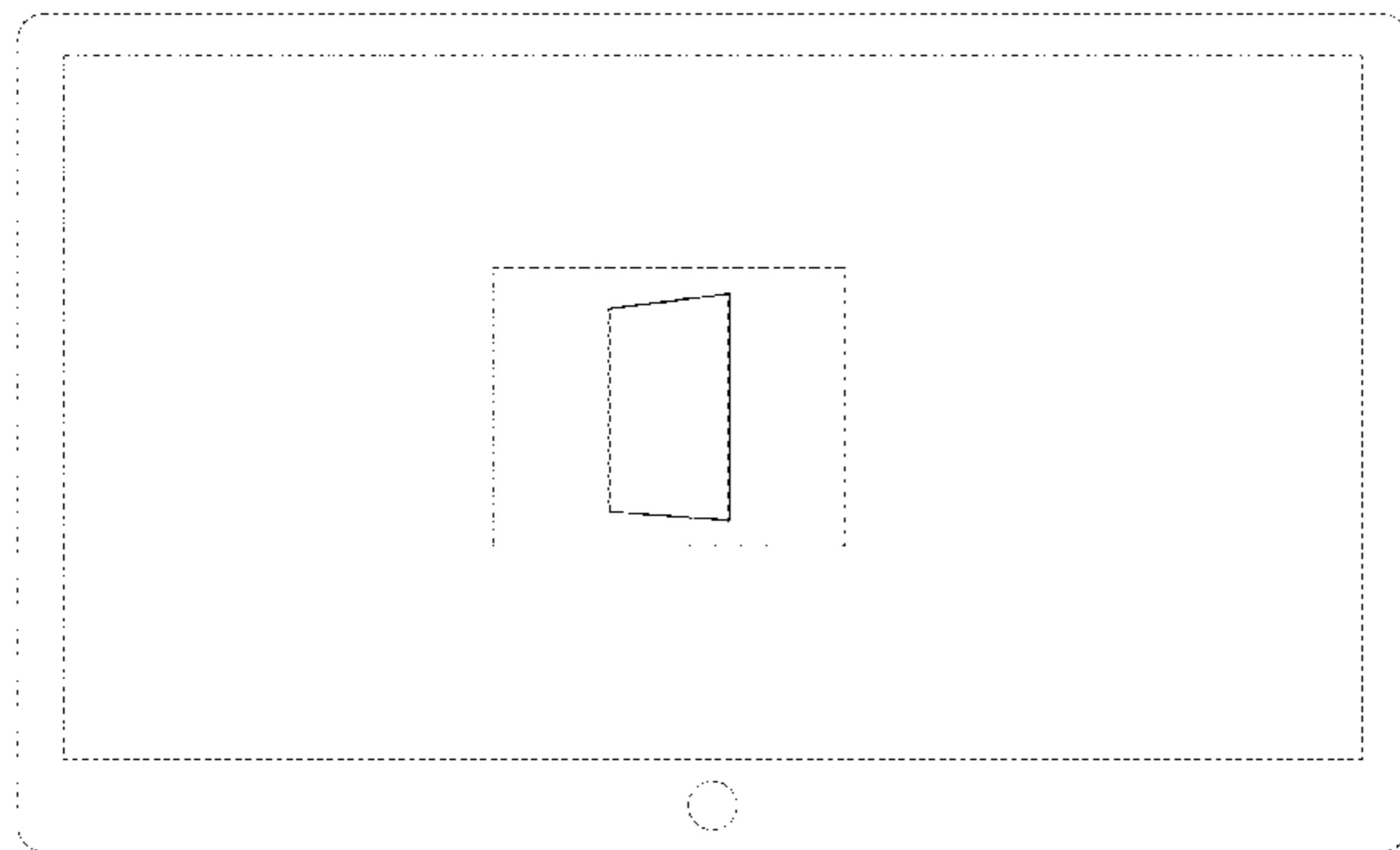
The ornamental design for a display screen with animated graphical user interface, as shown and described.

DESCRIPTION

FIG. 1 is the first image in a sequence for a display screen with animated graphical user interface showing our new design; FIG. 2 is the second image thereof; FIG. 3 is the third image thereof; FIG. 4 is the fourth image thereof; and, FIG. 5 is the fifth image thereof.

The appearance of the animated graphical user interface sequentially transitions between the images shown in FIGS. 1-5. The process or period in which one image transitions to another forms no part of the claimed design. The broken line showing of the remainder of the graphical user interface and the remainder of the display screen is for environmental purposes only and forms no part of the claimed design.

1 Claim, 5 Drawing Sheets



(56)

References Cited

OTHER PUBLICATIONS

Microsoft Mechanics, "Delve (Codename Oslo)—Next Generation Discovery and Search." YouTube.com, posted Apr. 8, 2014 [Retrieved from the Internet, Oct. 28, 2015]. Internet URL: <<https://youtu.be/dgZcS0z6JAM>>.*

Sgprolab, "Squares rectangle—HD animated background #27." YouTube.com, posted Feb. 7, 2014 [Retrieved from the Internet, Oct.

28, 2015]. Internet URL: <https://youtu.be/Z6Cdymvgn_c>.*

Jake Blakely, "New Loading animation." Dribbble.com, posted Jun. 6, 2013 [Retrieved from the Internet, Oct. 28, 2015]. Internet URL:

<<https://dribbble.com/shots/1103626-New-Loading-animation>>.*

Kevin Minnis, "3x3." Dribbble.com, posted Jul. 17, 2013 [Retrieved from the Internet, Oct. 28, 2015]. Internet URL: <<https://dribbble.com/shots/1159950-3x3>>.*

* cited by examiner

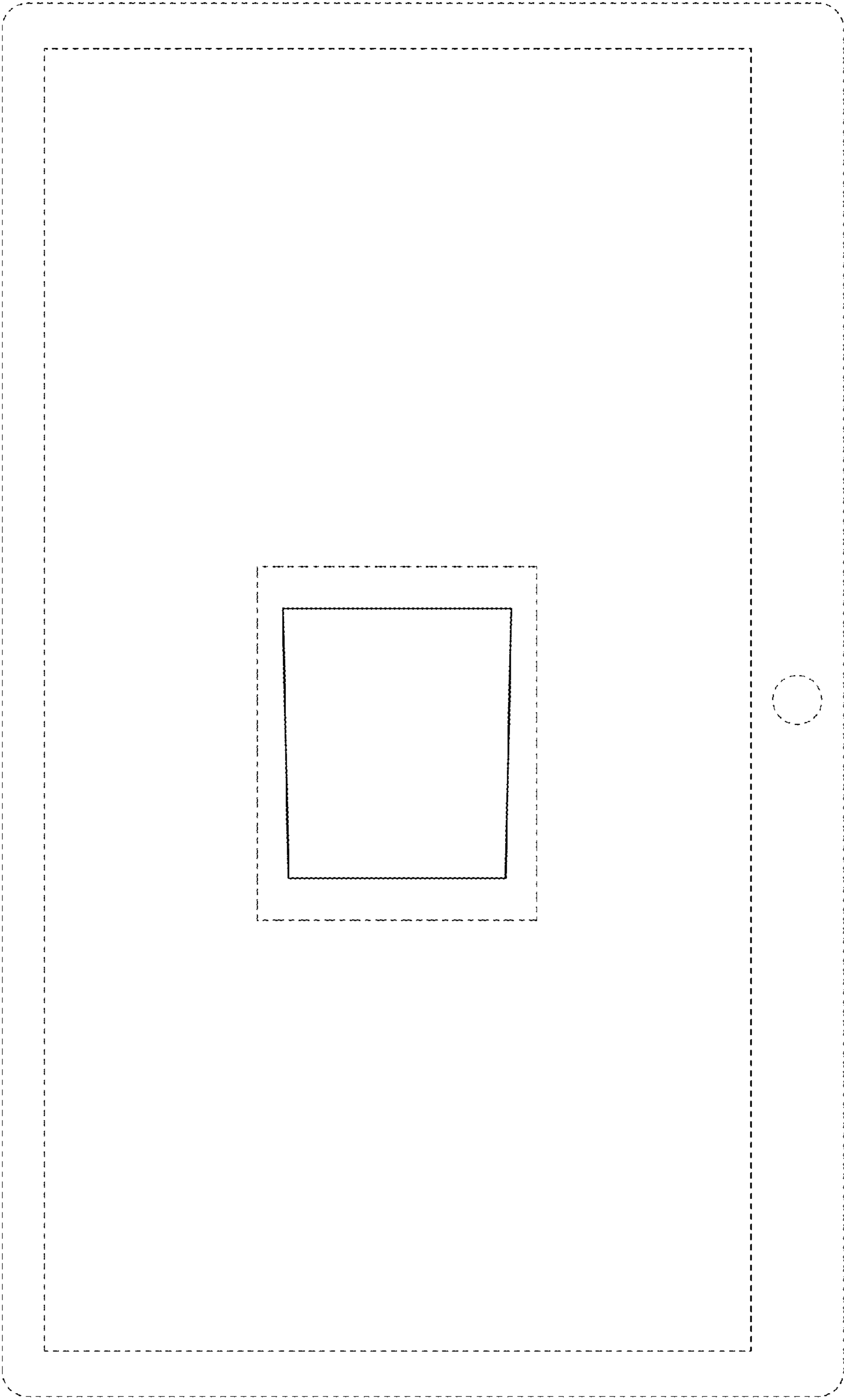


FIGURE 1

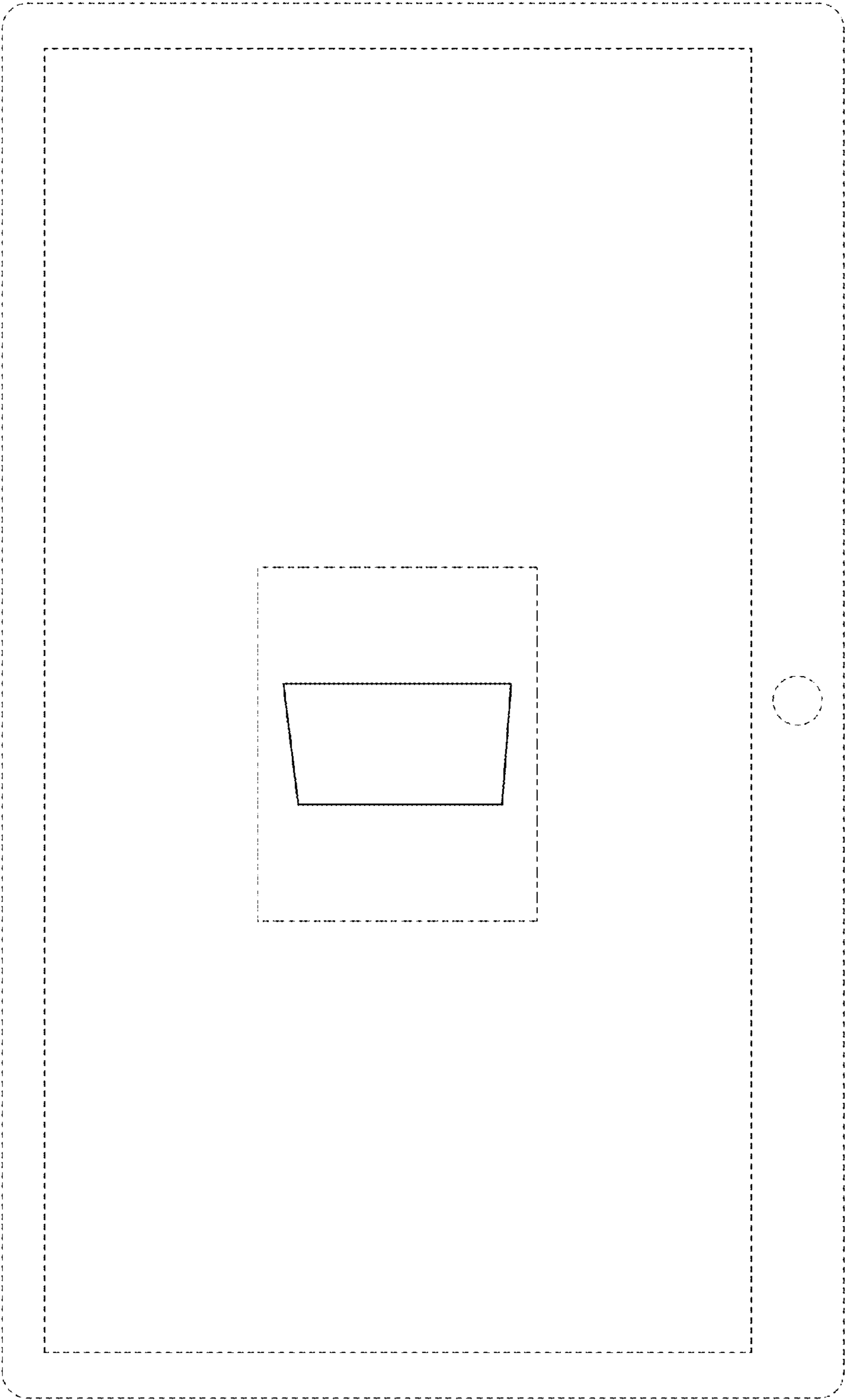


FIGURE 2

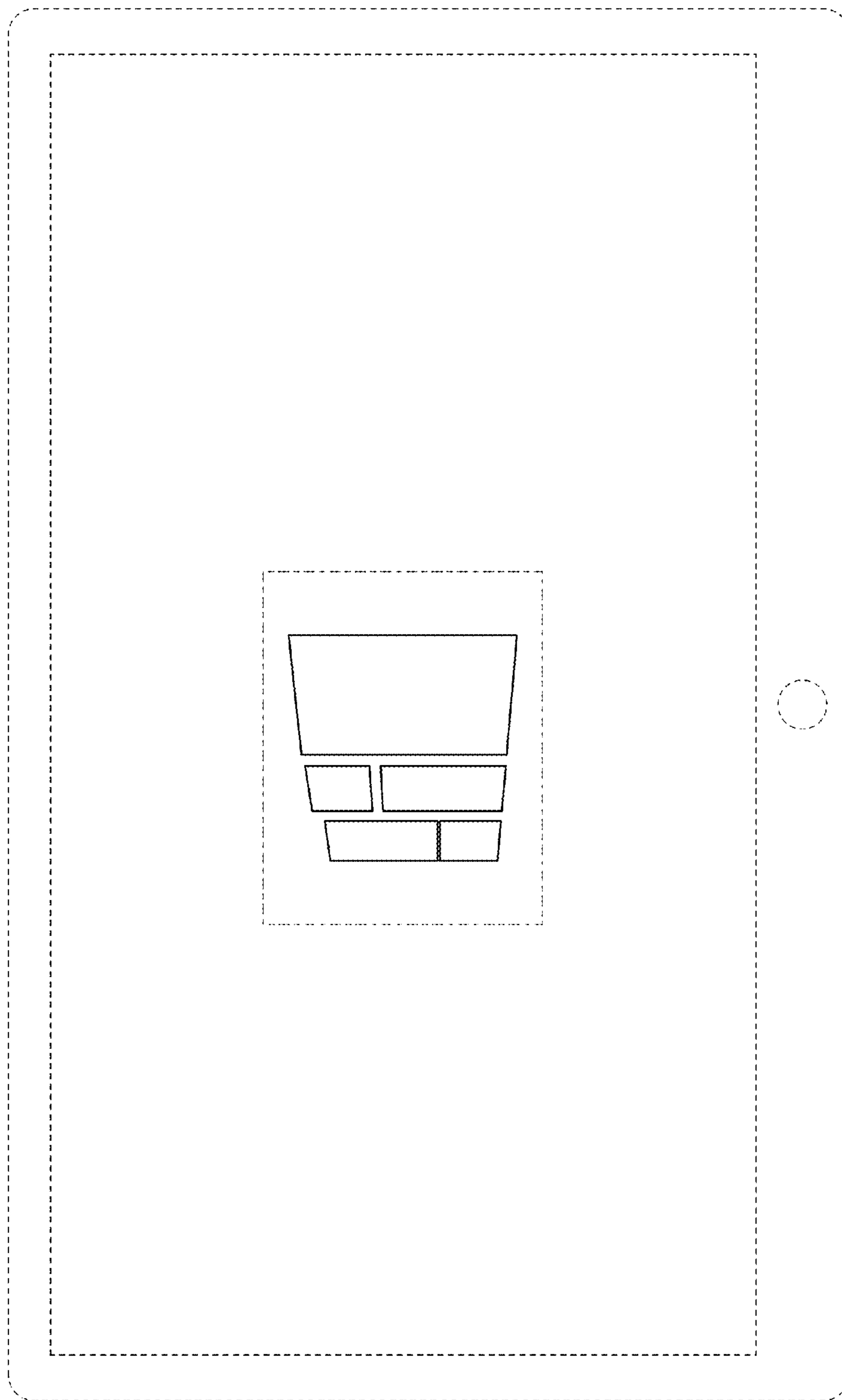


FIGURE 3

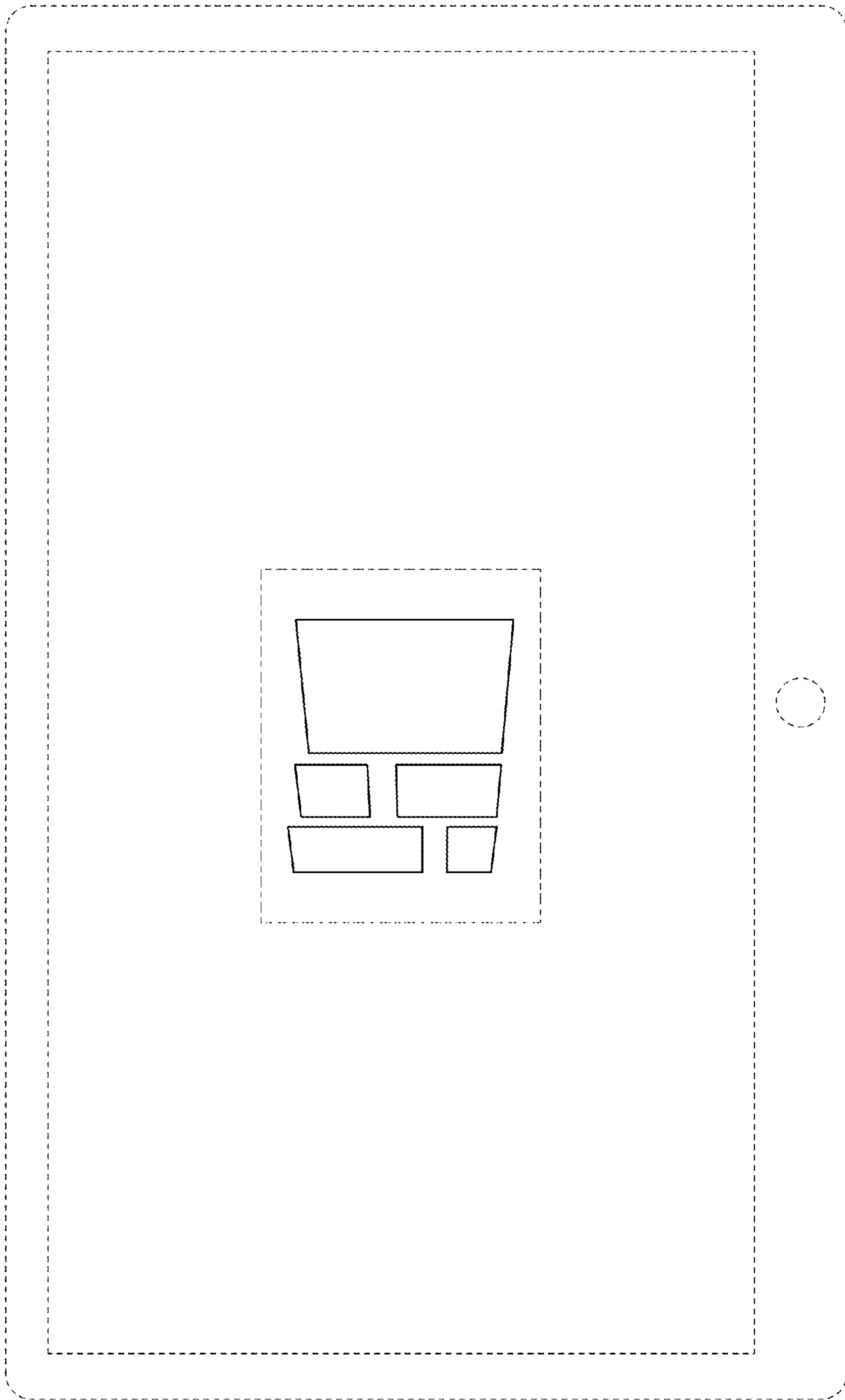


FIGURE 4

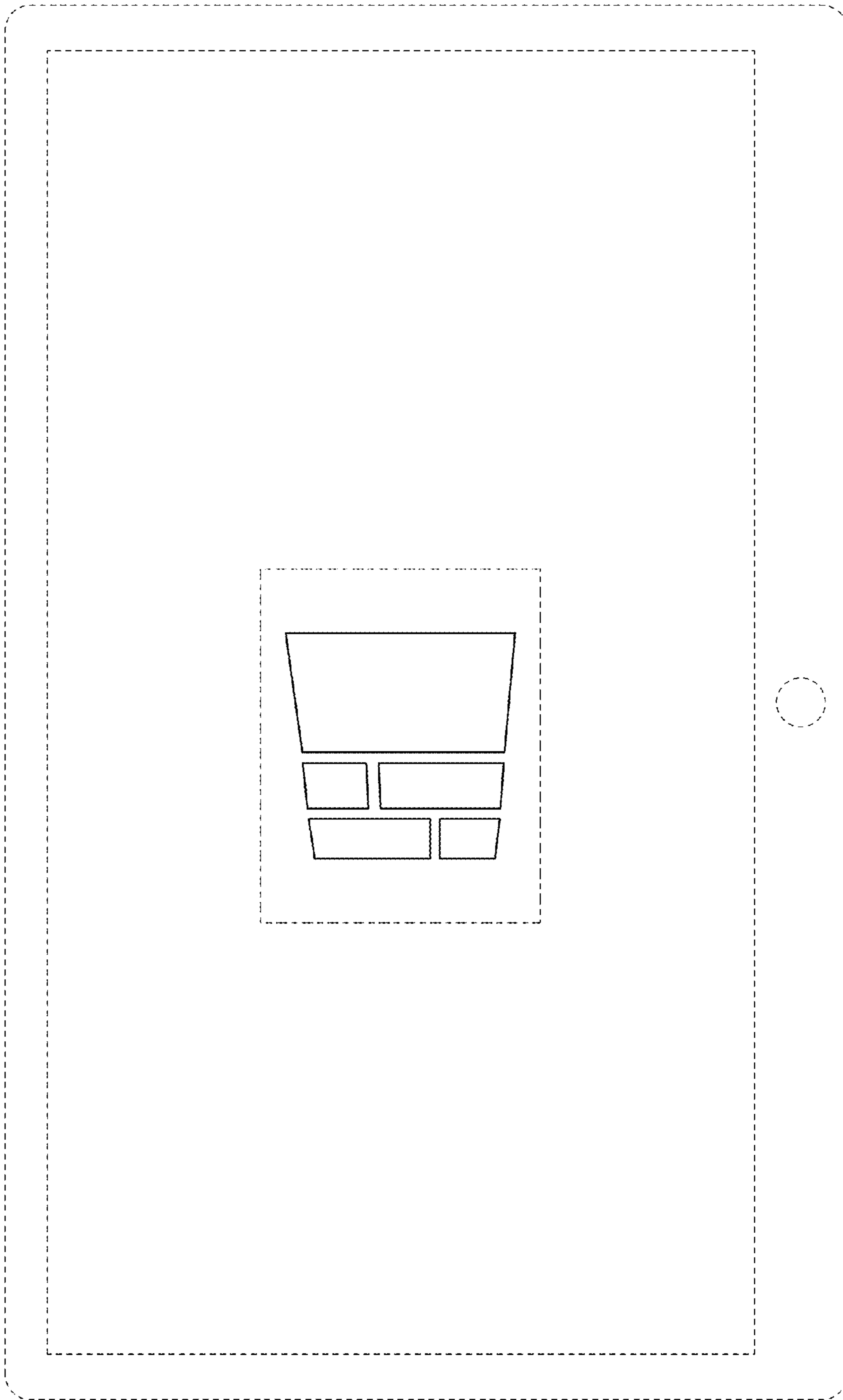


FIGURE 5