



US00D746825S

(12) **United States Design Patent**
Kang et al.

(10) **Patent No.:** **US D746,825 S**
(45) **Date of Patent:** **** Jan. 5, 2016**

(54) **STAND FOR TELEVISION RECEIVER**

(71) Applicant: **Samsung Electronics Co., Ltd.**,
Suwon-si (KR)

(72) Inventors: **Minsun Kang**, Seoul (KR); **Jaehyung Kim**, Gwangju-si (KR); **Bokyoung Seong**, Daejeon (KR)

(73) Assignee: **Samsung Electronics Co., Ltd.**,
Suwon-si (KR)

(**) Term: **14 Years**

(21) Appl. No.: **29/498,115**

(22) Filed: **Jul. 31, 2014**

(30) **Foreign Application Priority Data**

Feb. 19, 2014 (KR) 30-2014-0008423

(51) **LOC (10) Cl.** **08-07**

(52) **U.S. Cl.**
USPC **D14/451**

(58) **Field of Classification Search**

USPC D14/211, 238, 251, 253, 371–382,
D14/125–129, 336, 337, 447, 448, 451, 452,
D14/492, 450, 239; 341/12; 345/104, 156,
345/168, 173; 348/180, 184, 325, 739;
349/1, 2, 11, 62; 361/679.05–679.07,
361/679.21; D6/300, 310–313, 308, 708
CPC F16M 13/02; F16M 13/00; F16M 11/10;
F16M 11/04; F16M 2200/08; F16M 11/2021;
A47B 21/0314; A47B 88/044; A47B
2021/0335; H02G 3/126; F16B 47/00; F16B
47/006; A47G 1/17

See application file for complete search history.

(56) **References Cited**

U.S. PATENT DOCUMENTS

D499,907 S * 12/2004 Zarelius D6/708.23
7,215,538 B1 * 5/2007 Chen G06F 1/1616
108/44

D671,540 S * 11/2012 Yukawa D14/336
D680,106 S * 4/2013 Hwangbo D14/239
D700,170 S * 2/2014 Choi D14/239
D700,187 S * 2/2014 Lee D14/451
D705,200 S * 5/2014 Choi D14/239
D711,333 S * 8/2014 Kim D14/126
D714,757 S * 10/2014 Lee D14/209.1
D718,751 S * 12/2014 Ann D14/239
D721,713 S * 1/2015 Ko D14/451
D725,661 S * 3/2015 Snyder D14/451
D726,195 S * 4/2015 Snyder D14/451
D728,527 S * 5/2015 Kim D14/217

* cited by examiner

Primary Examiner — Deanna L Pratt

Assistant Examiner — Katie Mroczka

(74) *Attorney, Agent, or Firm* — NSIP Law

(57) **CLAIM**

We claim the ornamental design for a stand for television receiver, as shown and described.

DESCRIPTION

FIG. 1 is a front perspective view of a stand for television receiver showing our new design;

FIG. 2 is a front view thereof;

FIG. 3 is a rear view thereof;

FIG. 4 is a left-side view thereof;

FIG. 5 is a right-side view thereof;

FIG. 6 is a top view thereof;

FIG. 7 is a bottom view thereof;

FIG. 8 is another front perspective view, in which a television receiver and a symmetric stand for the television receiver are provided in dot-dot-dash broken lines to illustrate an example environment; and,

FIG. 9 is a rear perspective view of FIG. 8.

The broken lines in the figures show portions of the stand for television receiver which form no part of the claimed design. The dot-dot-dash broken lines showing of the television receiver and the symmetric stand for the television receiver in FIGS. 8 and 9 are for the purpose of illustrating environmental structure only and form no part of the claimed design.

1 Claim, 9 Drawing Sheets

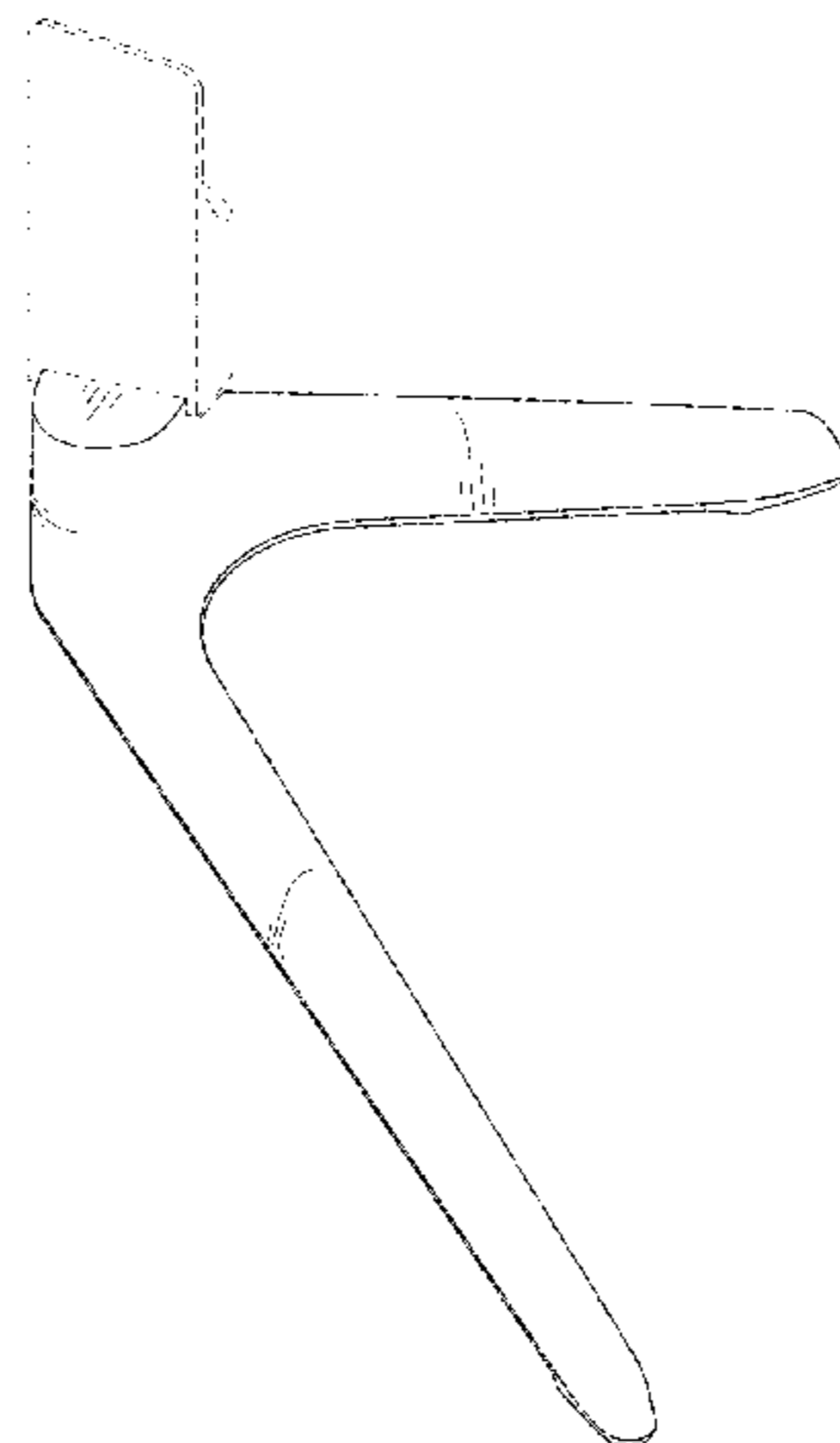


FIG. 1

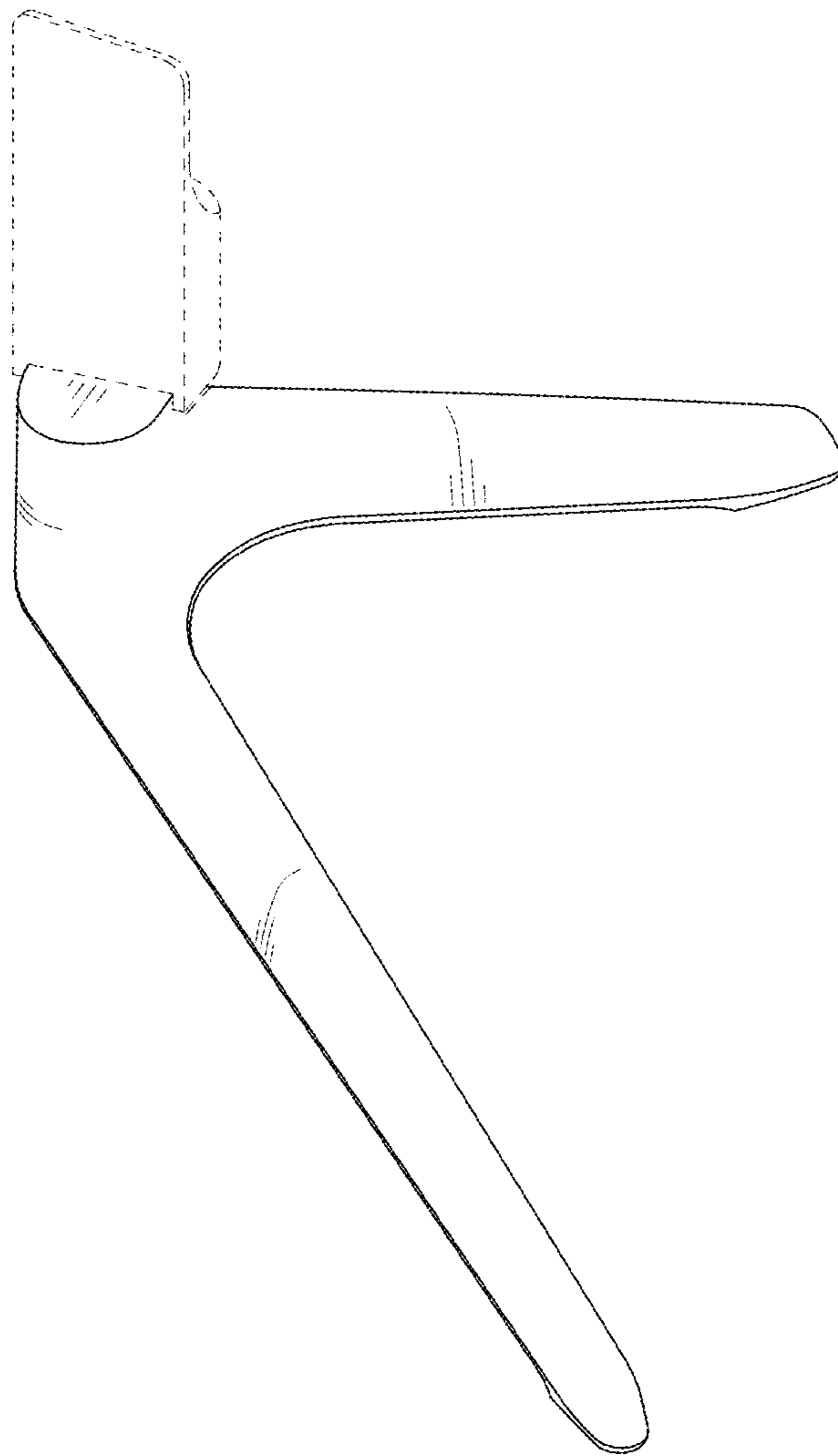


FIG. 2

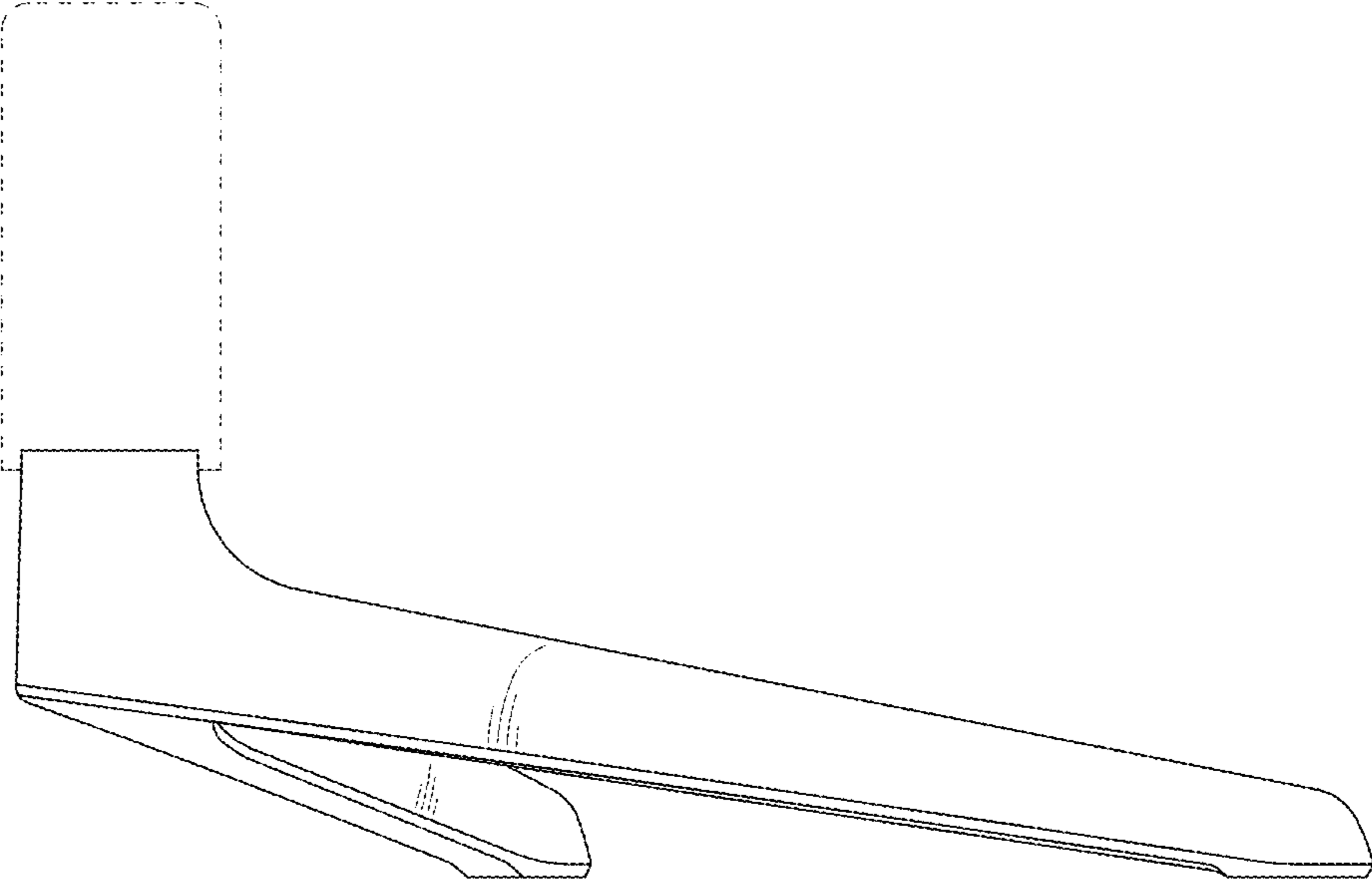


FIG. 3

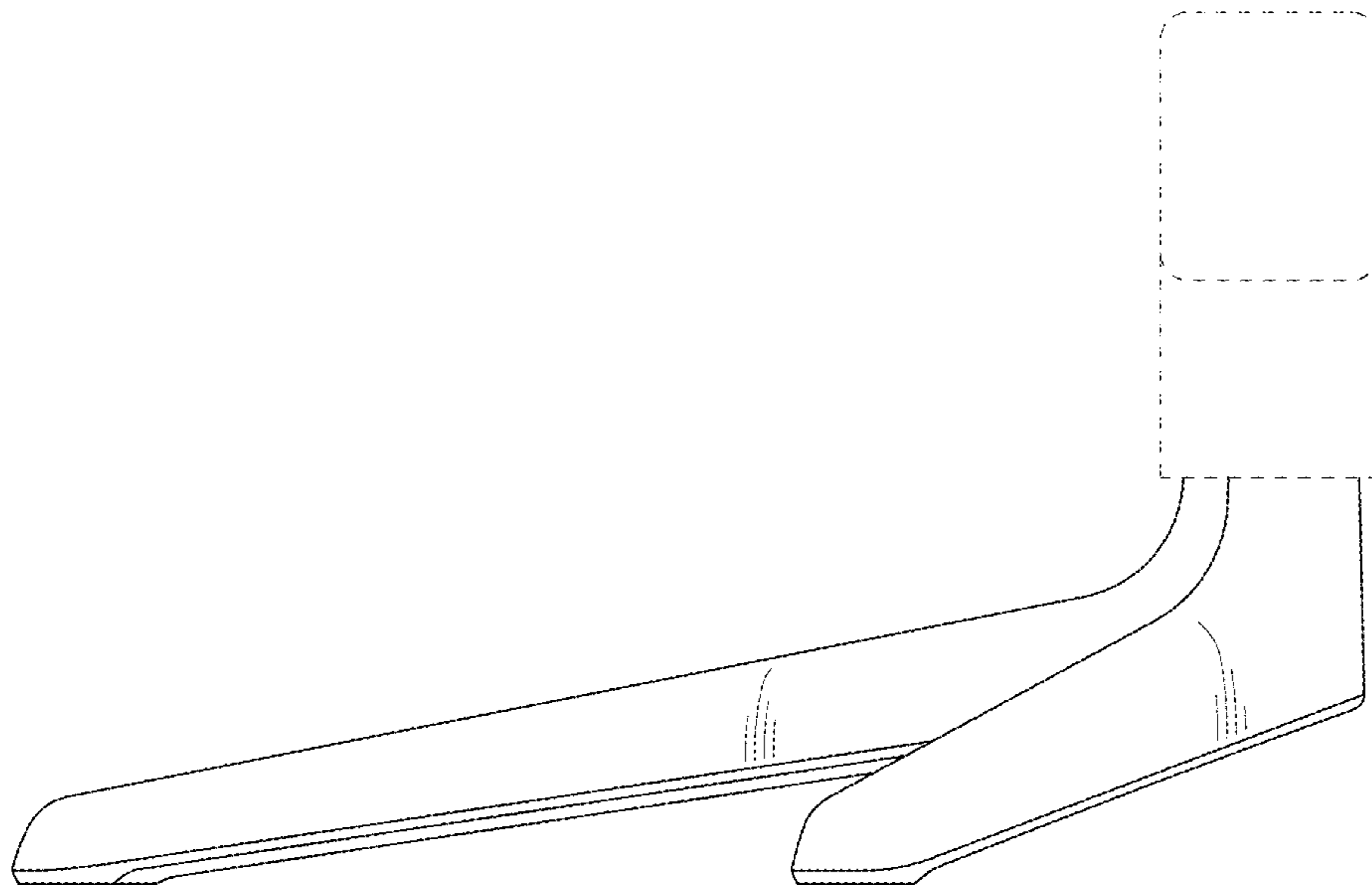


FIG. 4

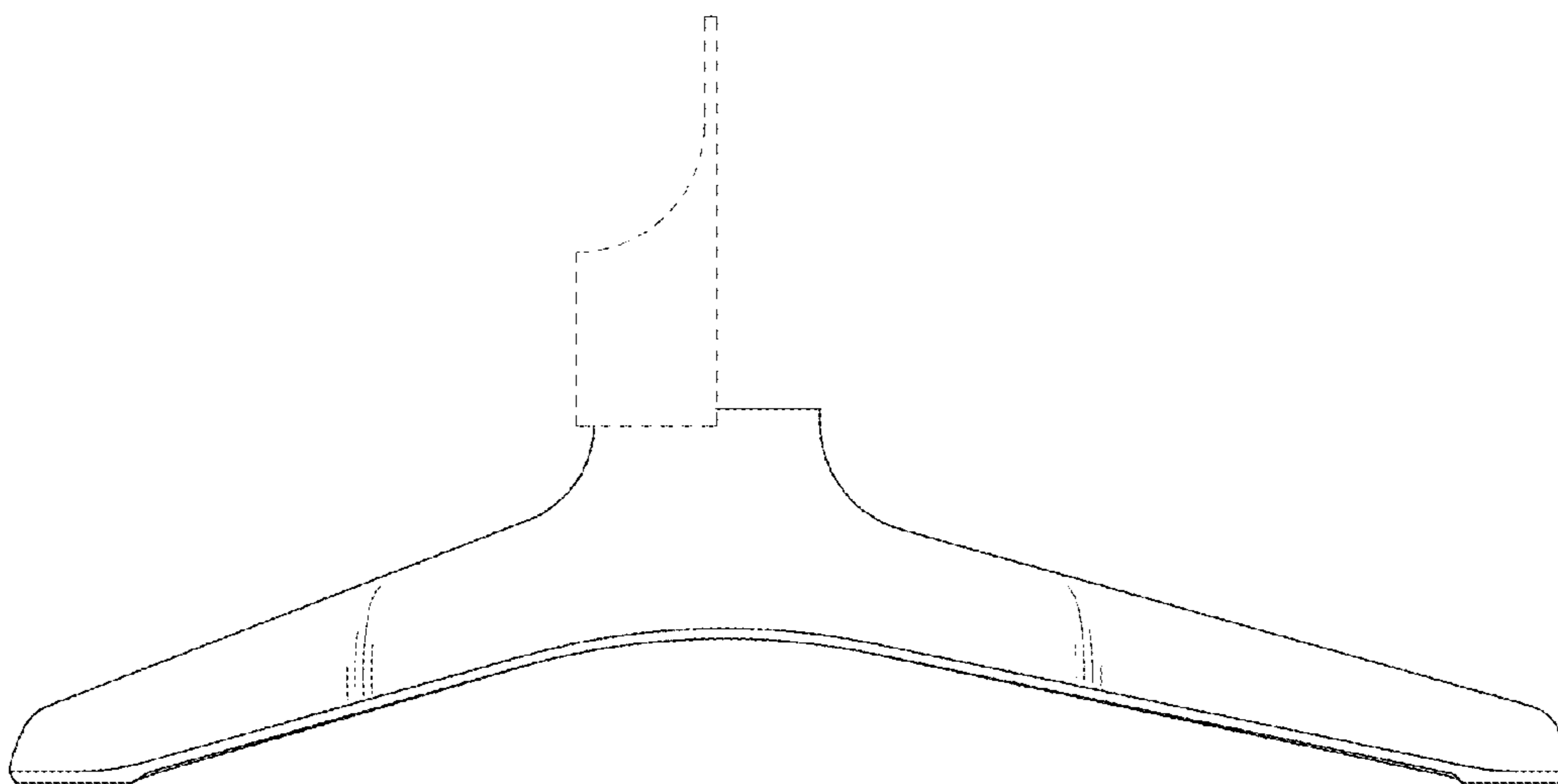


FIG. 5

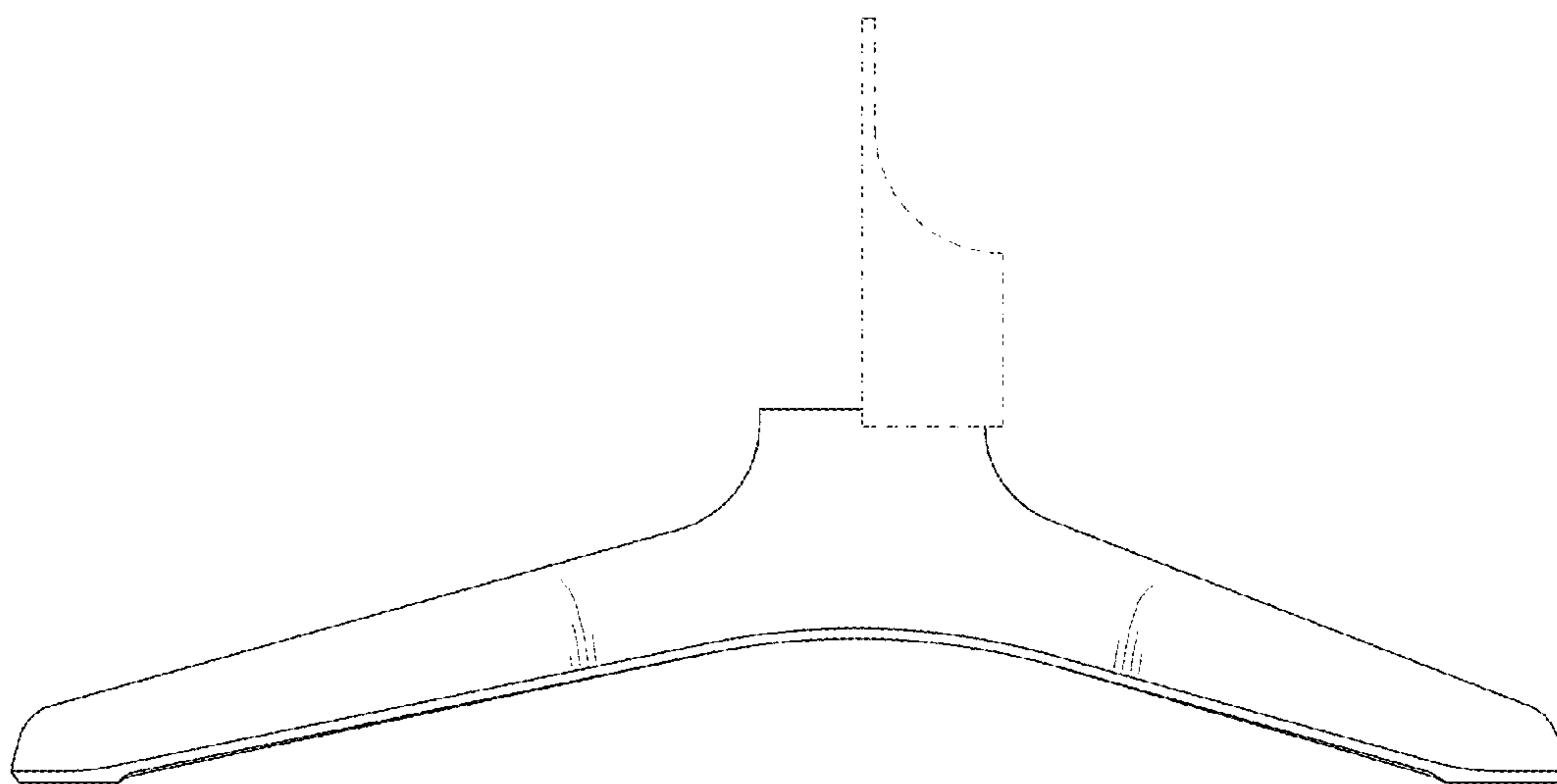


FIG. 6

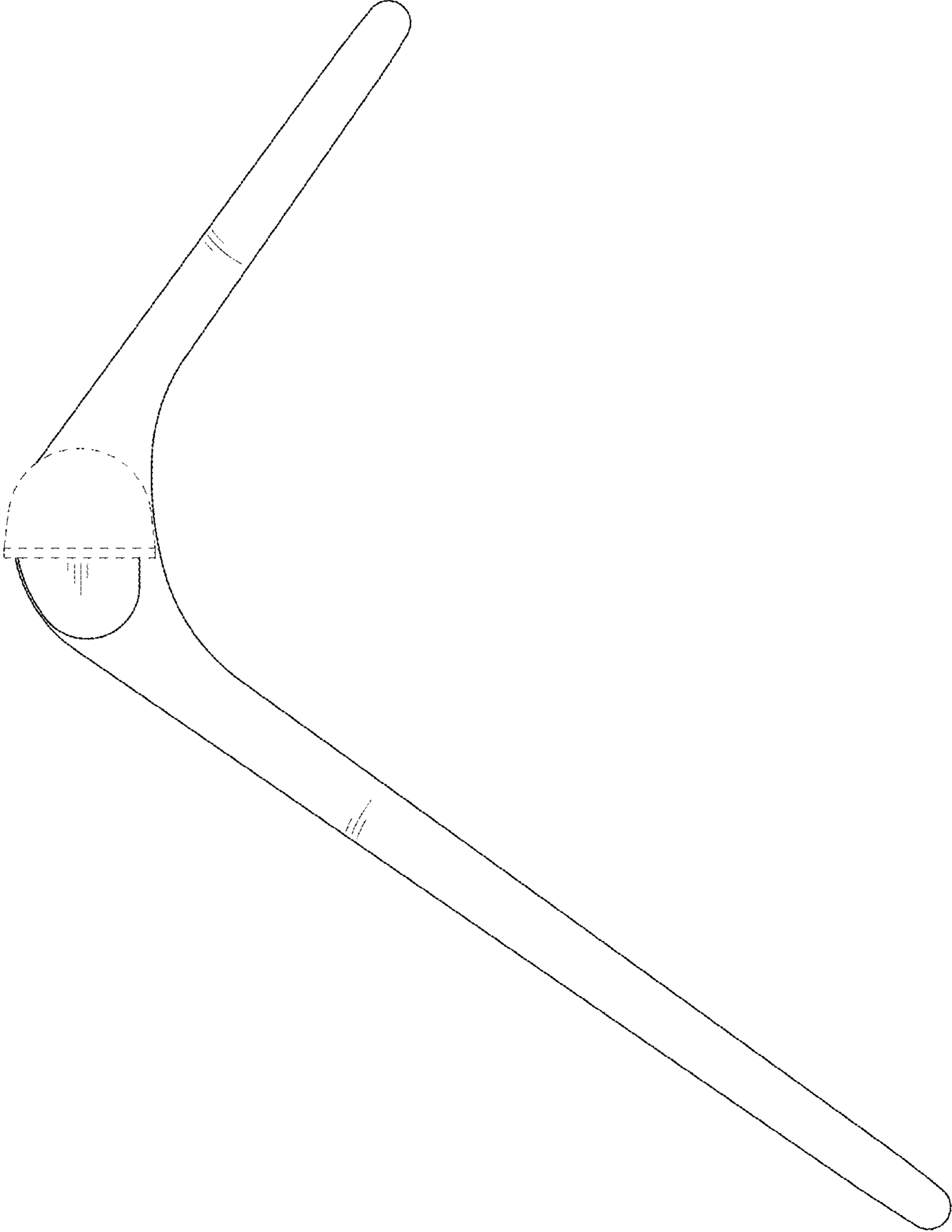


FIG. 7

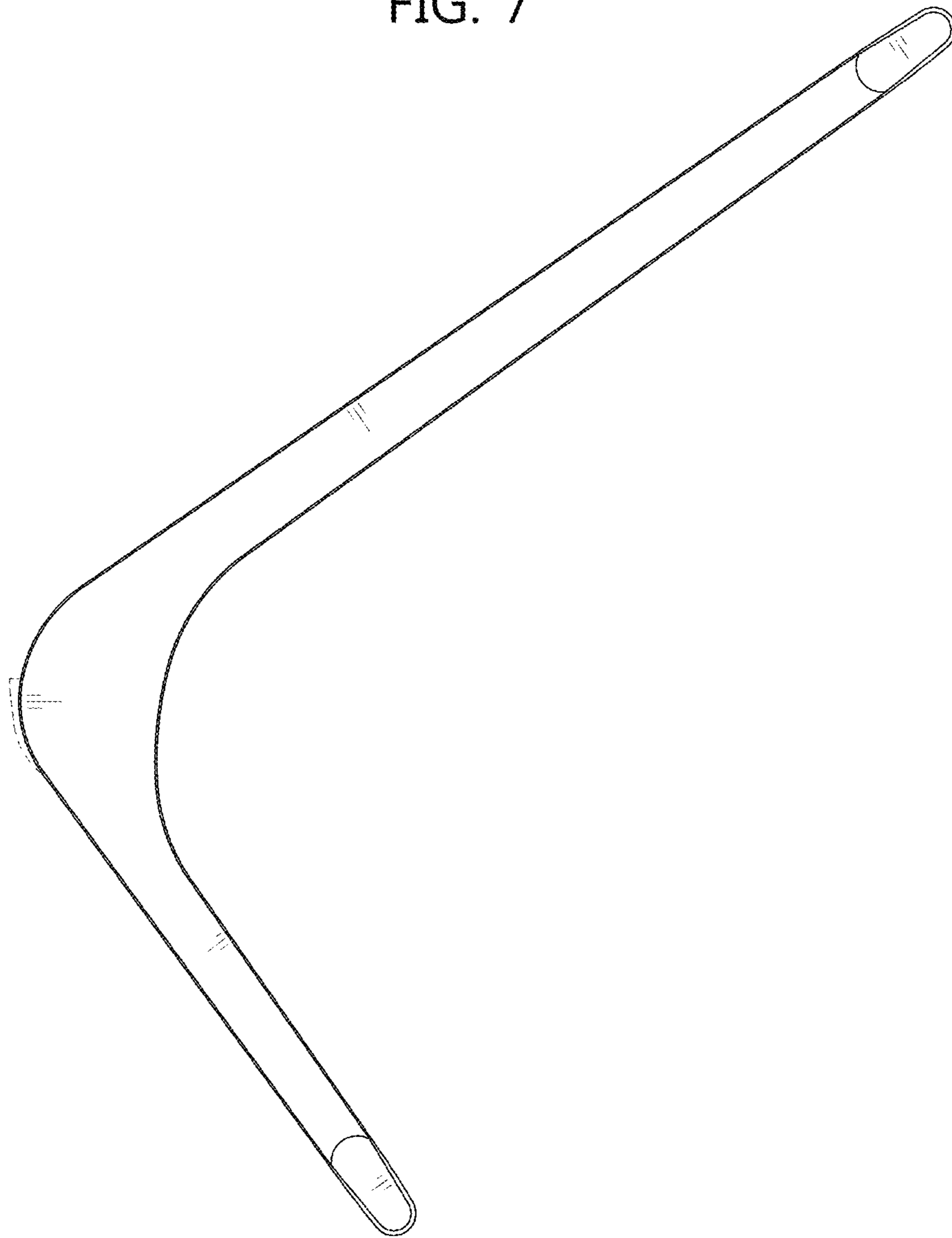


FIG. 8

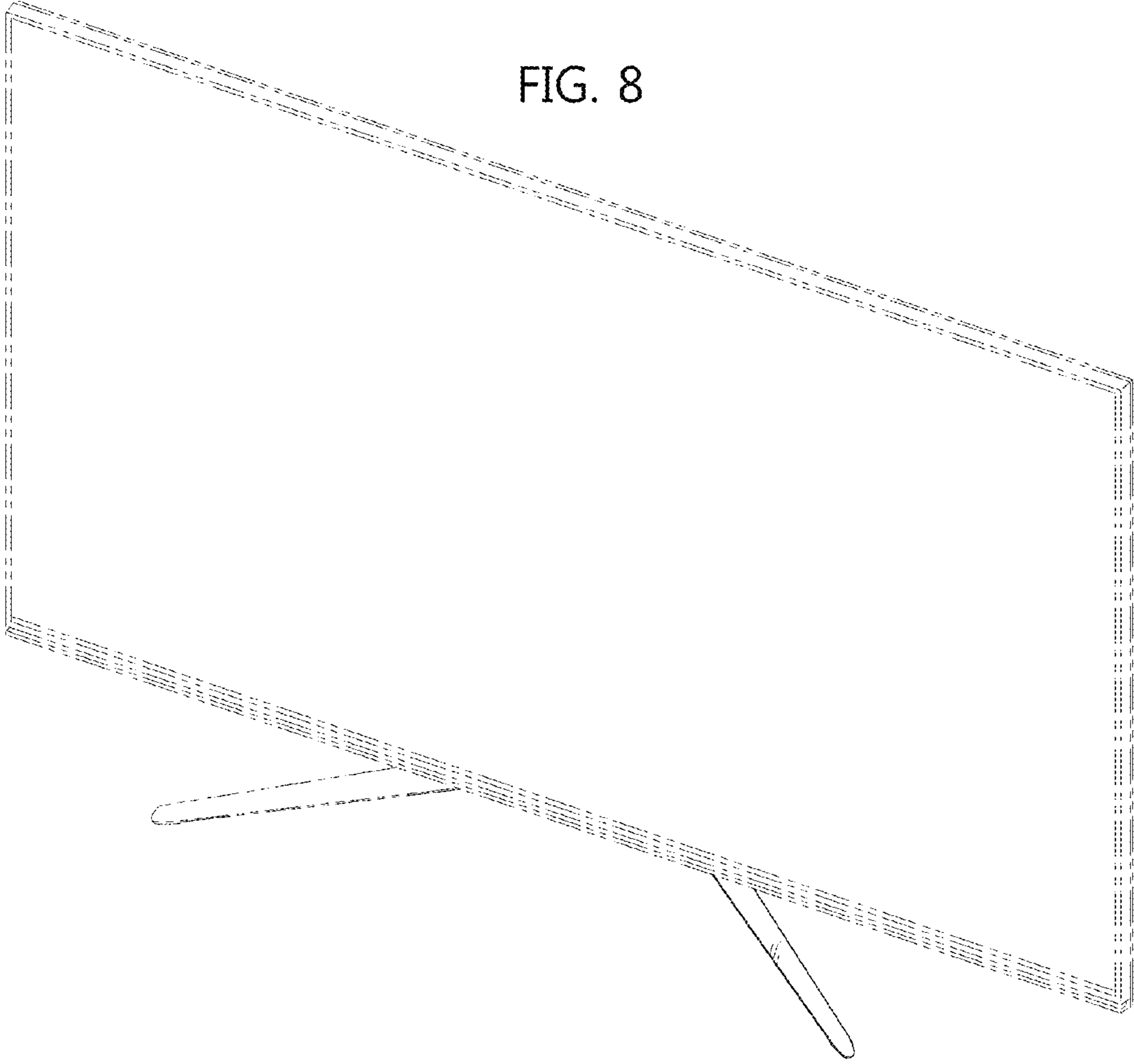


FIG. 9

