



US00D746824S

(12) **United States Design Patent**  
**Heckler**

(10) **Patent No.:** **US D746,824 S**  
(45) **Date of Patent:** **\*\* Jan. 5, 2016**

(54) **TABLET COMPUTER STAND**  
(71) Applicant: **Hecktech, Inc.**, Phoenix, AZ (US)  
(72) Inventor: **Dean Heckler**, Phoenix, AZ (US)  
(73) Assignee: **HECKTECH, INC.**, Phoenix, AZ (US)

D714,775 S \* 10/2014 Yoo ..... D14/253  
D723,024 S \* 2/2015 Yoo ..... D14/253  
D723,311 S \* 3/2015 Jiang ..... D14/253  
D724,072 S \* 3/2015 Jiang ..... D14/253  
D733,157 S \* 6/2015 Kim ..... D14/447  
D735,727 S \* 8/2015 Dugger ..... D14/447  
2013/0342087 A1 \* 12/2013 Guran ..... H05K 5/0017  
312/7.2

(\*\*) Term: **14 Years**

\* cited by examiner

(21) Appl. No.: **29/514,085**

*Primary Examiner* — Angela J Lee

(22) Filed: **Jan. 8, 2015**

(74) *Attorney, Agent, or Firm* — Hartman Titus PLC; John D. Titus

(51) **LOC (10) Cl.** ..... **08-07**

(57) **CLAIM**

(52) **U.S. Cl.**  
USPC ..... **D14/447**

The ornamental design for a tablet computer stand, as shown and described.

(58) **Field of Classification Search**  
USPC ..... D3/218; D6/406.3, 406.4, 406.5, 406.6  
CPC ..... A45C 2011/003; A45C 2011/002;  
A45C 13/002; A47B 2023/049; A47B  
2097/005; A47B 2097/006; A47B 21/04;  
A47B 23/00; A47B 23/043; A47B 2021/0307;  
A47B 2023/005; F16M 2200/00; H04B  
1/3888; H04M 1/04; H04M 1/185  
See application file for complete search history.

**DESCRIPTION**

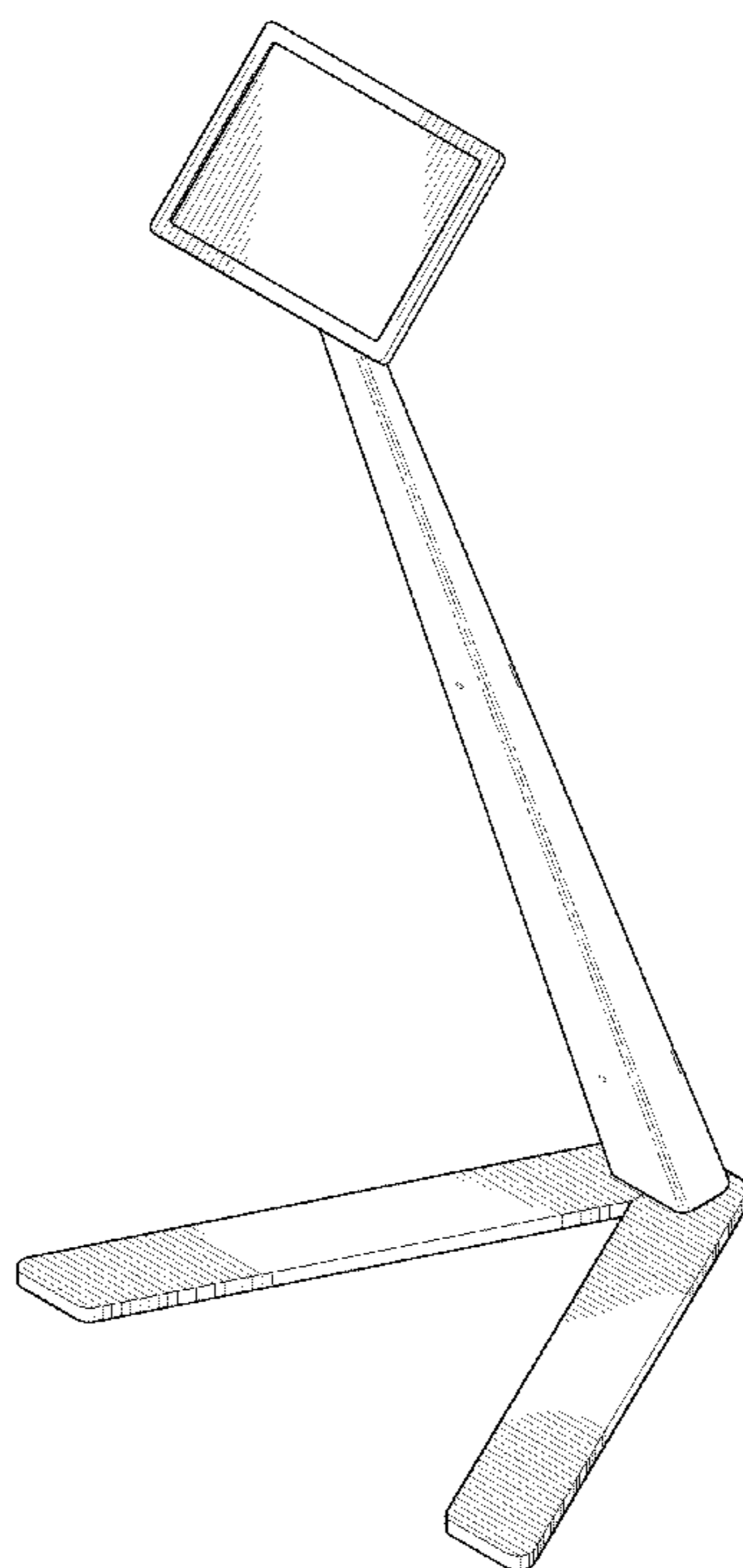
FIG. 1 is a front perspective view of a tablet computer stand showing my new design;  
FIG. 2 is a top view of the tablet computer stand shown in FIG. 1;  
FIG. 3 is a bottom view of the tablet computer stand shown in FIG. 1;  
FIG. 4 is a front view of the tablet computer stand shown in FIG. 1;  
FIG. 5 is a rear view of the tablet computer stand shown in FIG. 1;  
FIG. 6 is a right side view of the tablet computer stand shown in in FIG. 1; and,  
FIG. 7 is a left side view of the tablet computer stand shown in in FIG. 1.

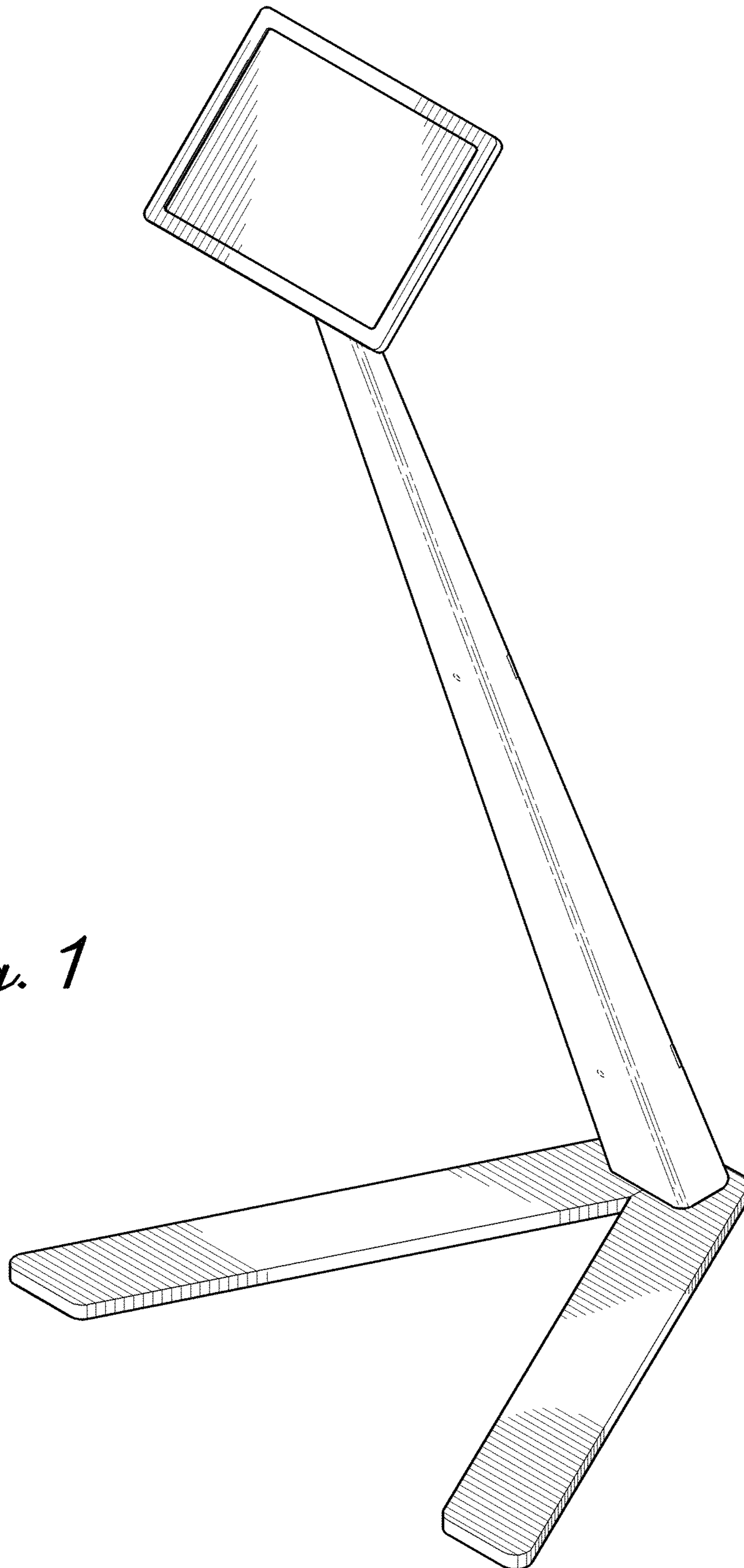
(56) **References Cited**

U.S. PATENT DOCUMENTS

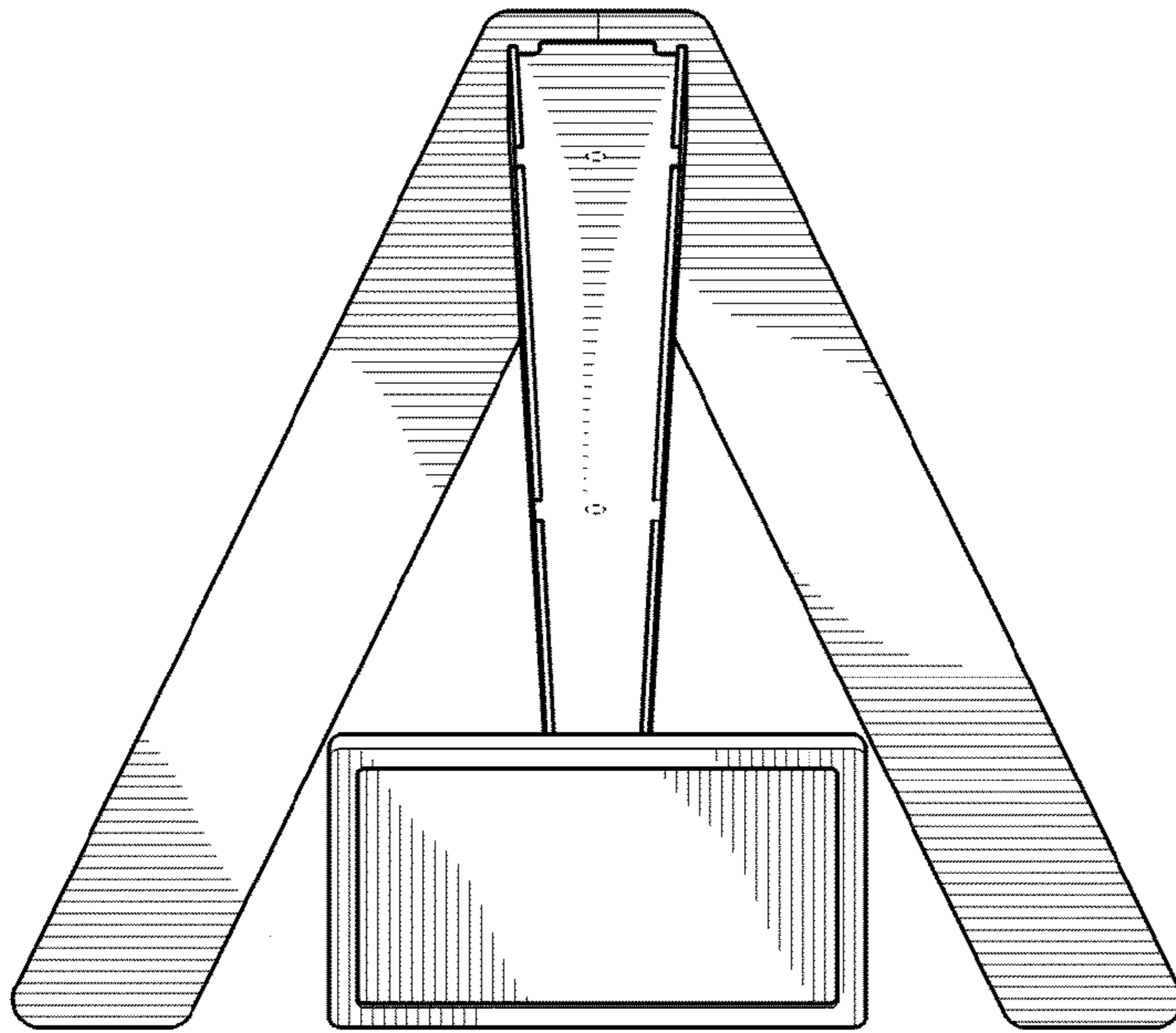
D442,966 S \* 5/2001 Cabric ..... D14/447  
D652,045 S \* 1/2012 Hong ..... D14/447  
D671,545 S \* 11/2012 Guran ..... D14/447  
D690,306 S \* 9/2013 Malisse ..... D14/447  
D691,148 S \* 10/2013 Weatherby, III ..... D14/447  
D691,149 S \* 10/2013 Breton ..... D14/447

**1 Claim, 6 Drawing Sheets**

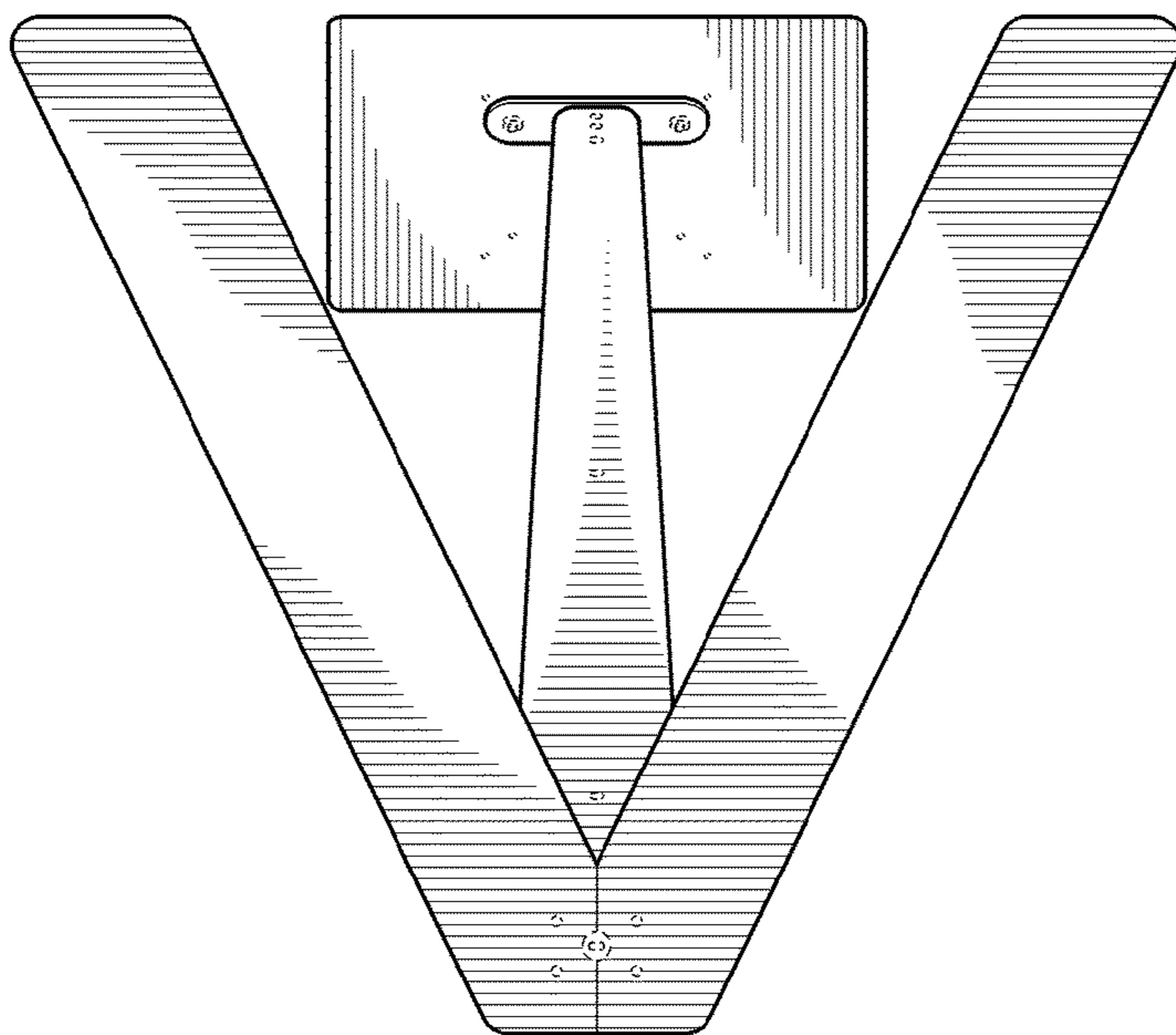




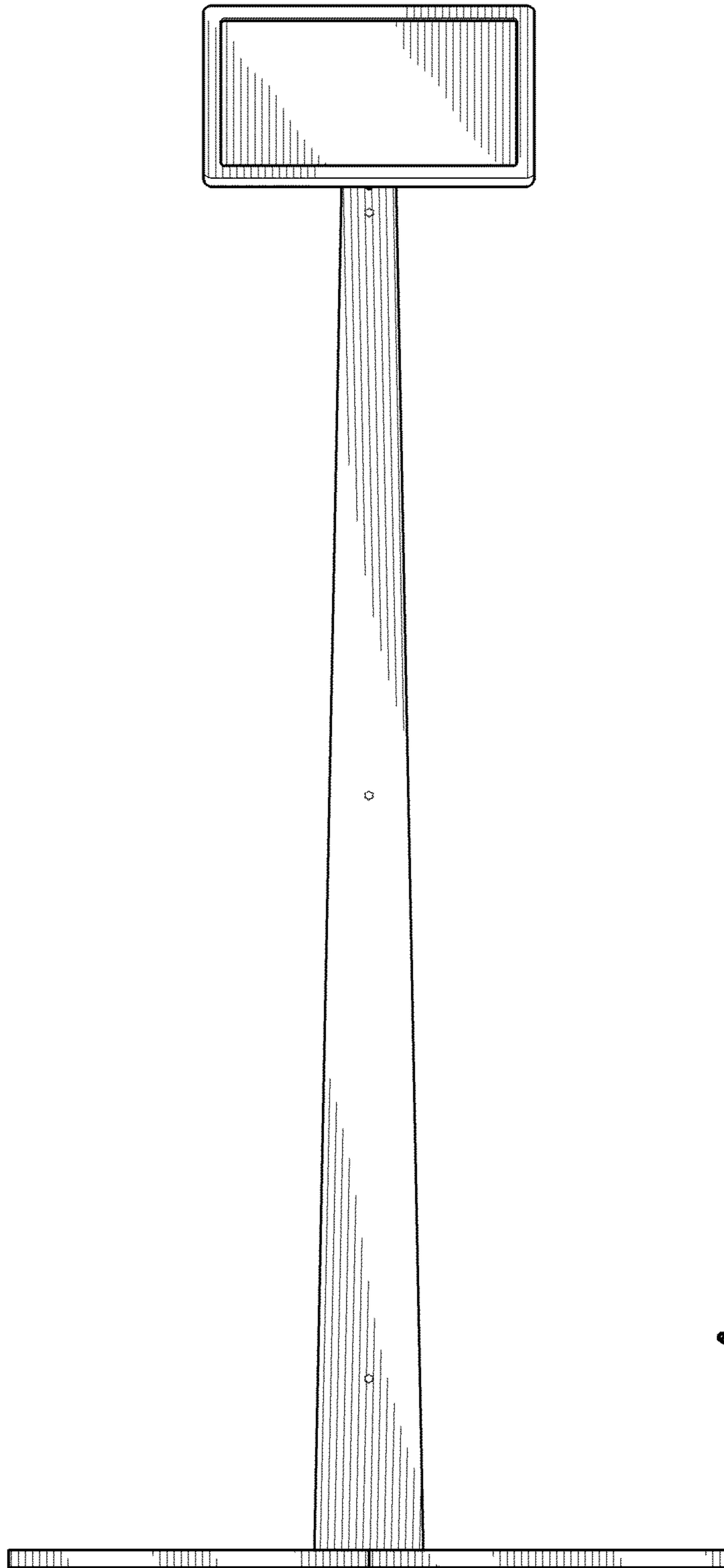
*Fig. 1*



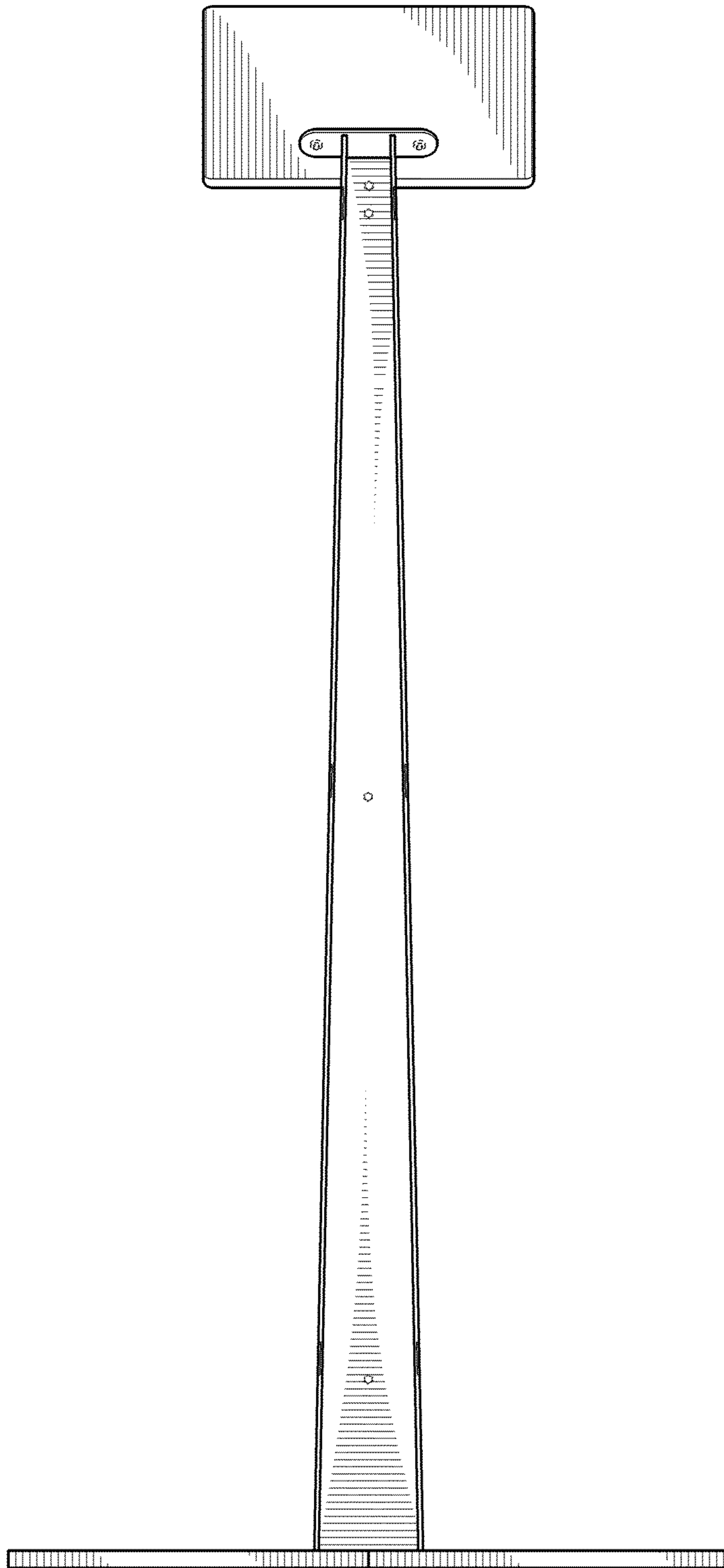
*Fig. 2*



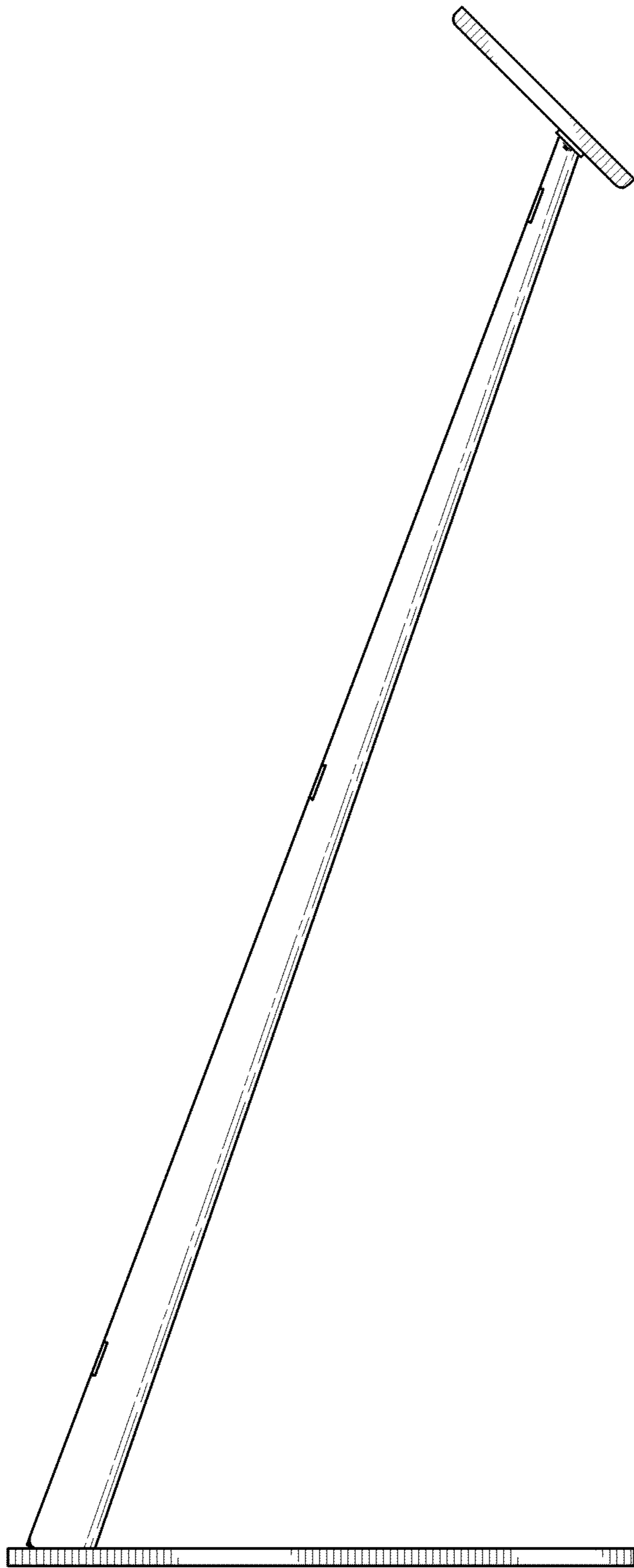
*Fig. 3*



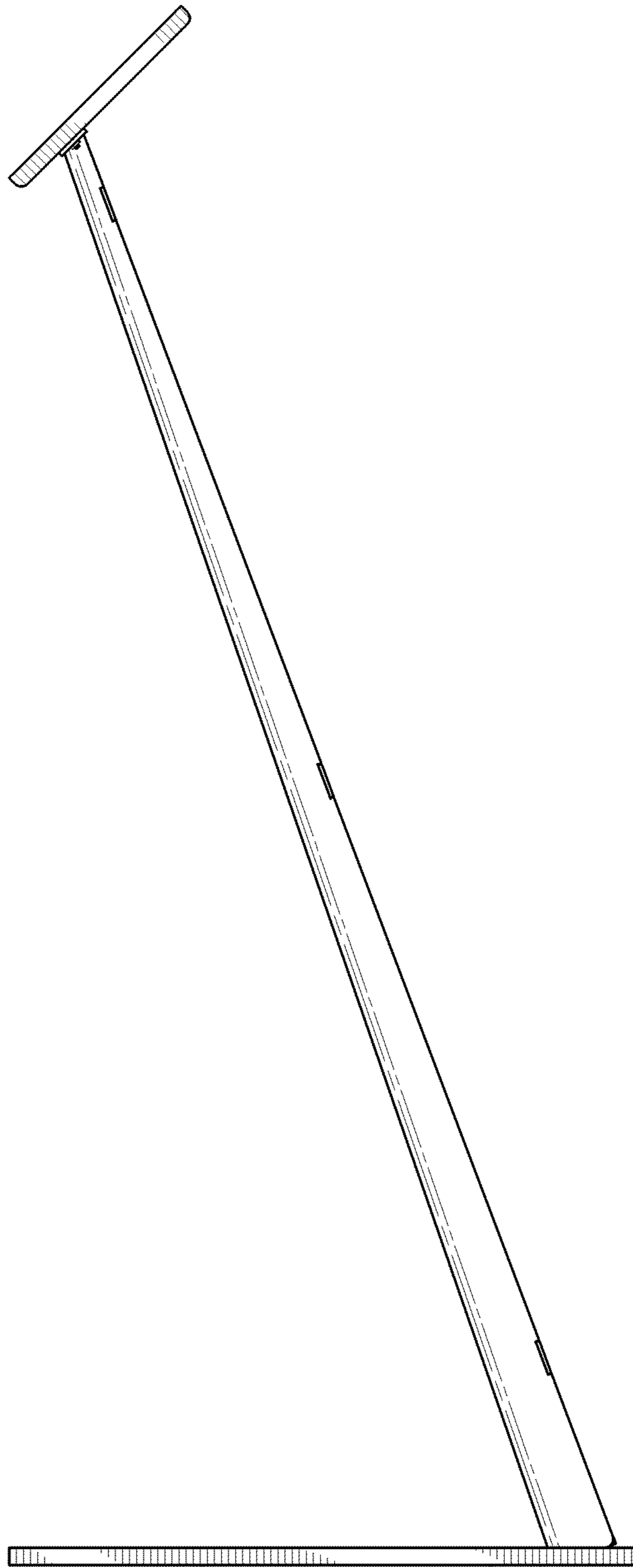
*Fig. 4*



*Fig. 5*



*Fig. 6*



*Fig. 7*