



US00D746822S

(12) **United States Design Patent**
Park et al.

(10) **Patent No.:** **US D746,822 S**
(45) **Date of Patent:** **** Jan. 5, 2016**

(54) **CONNECTOR EMBEDDED IN CLOTHING**

24/542; H01R 12/57; H01R 12/7088
See application file for complete search history.

(71) Applicant: **Samsung Electronics Co., Ltd.**,
Suwon-si, Gyeonggi-do (KR)

(56) **References Cited**

(72) Inventors: **Sangil Park**, Namyangjusi (KR); **Seo Lee**, Seongnam-si (KR)

U.S. PATENT DOCUMENTS

(73) Assignee: **SAMSUNG ELECTRONICS CO., LTD.** (KR)

D271,302	S	*	11/1983	Manning et al.	D14/256
D477,812	S	*	7/2003	Ibaraki et al.	D13/133
D650,178	S	*	12/2011	Ziaylek et al.	D6/320
D665,750	S	*	8/2012	Li et al.	D13/146
D691,586	S	*	10/2013	Clark	D14/209.1
D711,383	S	*	8/2014	Lam et al.	D14/433
D727,907	S	*	4/2015	Higashi	D14/433
2009/0117777	A1	*	5/2009	Chen	439/502
2010/0291794	A1	*	11/2010	Luo et al.	439/502
2014/0268538	A1	*	9/2014	Newbert et al.	361/679.33

(**) Term: **14 Years**

* cited by examiner

(21) Appl. No.: **29/465,216**

Primary Examiner — Derrick Holland

(22) Filed: **Aug. 26, 2013**

Assistant Examiner — Lauren Calve

(30) **Foreign Application Priority Data**

(74) *Attorney, Agent, or Firm* — Cantor Colburn LLP

Feb. 25, 2013 (KR) 30-2013-0009832

(51) **LOC (10) Cl.** **14-02**

(52) **U.S. Cl.**
USPC **D14/433**

(57) **CLAIM**

We claim, the ornamental design for a connector embedded in clothing, as shown and described.

(58) **Field of Classification Search**

DESCRIPTION

USPC D6/315–328; 223/85–98; 211/10, 13.1, 211/85.2, 87.01, 113; D14/203.5, 209.1, D14/224, 224.1, 251, 256, 432, 433, 434, D14/435, 438, 511; D13/133, 146; 439/105, 439/170, 217, 218, 502, 638, 723, 907; 361/679.41, 679.43, 679.58

CPC ... A47G 25/28; A47G 25/487; A47G 25/485; A47G 25/473; A47G 25/66; A47G 25/36; A47G 25/48; A47G 25/50; A47G 25/34; A47G 25/445; A47G 2025/1492; G06F 1/1632; G06F 1/1679; G06F 1/1635; G06F 1/1203; G06F 13/409; G06F 1/18; G06F 1/26; G06F 1/182; G06F 1/189; G06F 1/188; G06F 1/1607; G06F 1/1615; A47F 5/0006; A47F 7/19; H01R 31/06; H01R 31/02; H01R 31/065; H01R 24/62; H01R 24/58; H01R 13/506; H01R 25/00; H01R 13/502; H01R

FIG. 1 is a perspective view of a connector embedded in clothing, showing our new design;
 FIG. 2 is a front elevation view thereof;
 FIG. 3 is a rear elevation view thereof;
 FIG. 4 is a left-side elevation view thereof;
 FIG. 5 is a right-side elevation view thereof;
 FIG. 6 is a top-side plan view thereof;
 FIG. 7 is a bottom-side plan view thereof;
 FIG. 8 is a front elevation view of the connector embedded in clothing, shown in environmental use; and,
 FIG. 9 is a back elevation view thereof.
 The broken lines shown represent unclaimed subject matter and form no part of the claimed design.

1 Claim, 9 Drawing Sheets

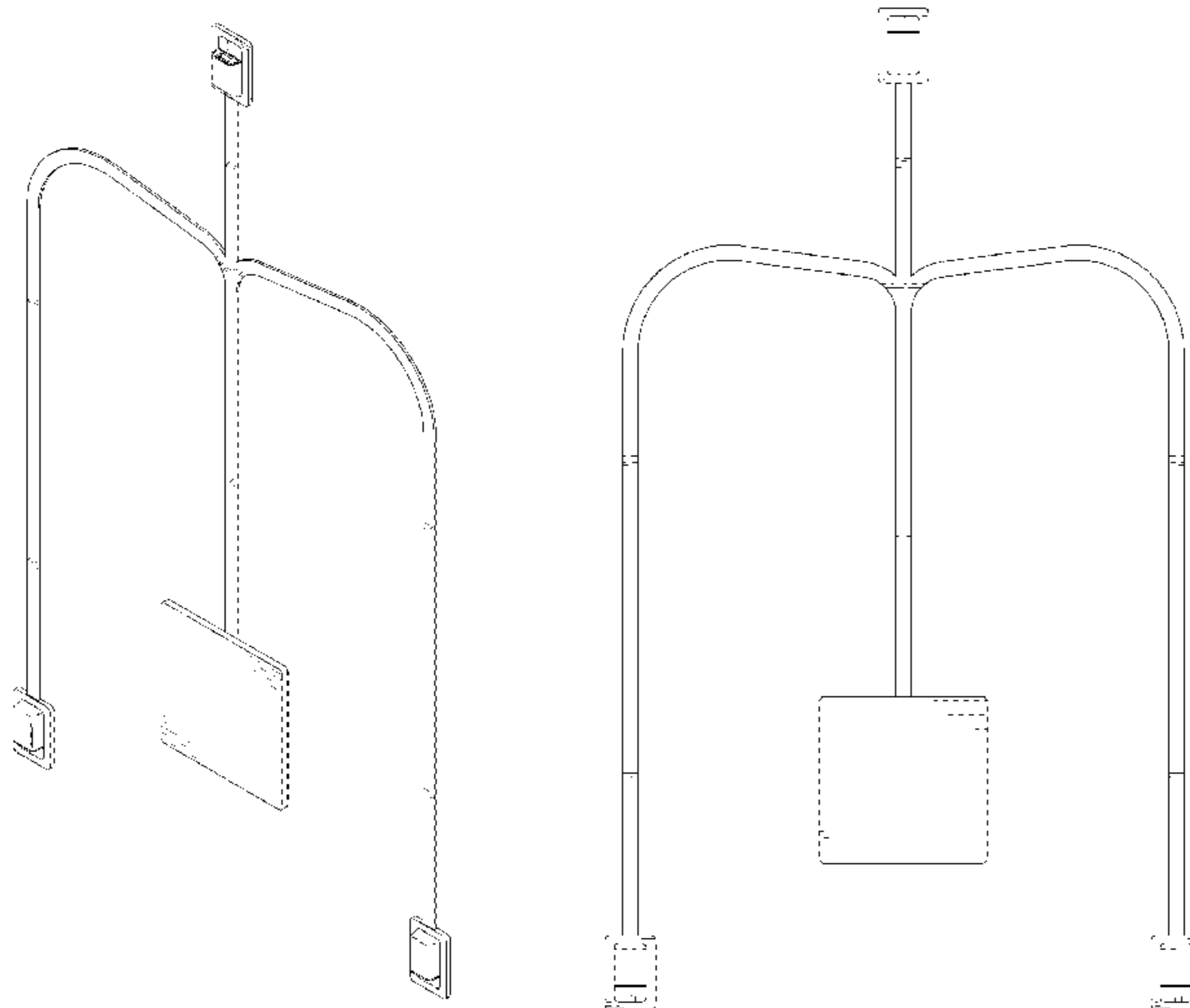


FIG. 1

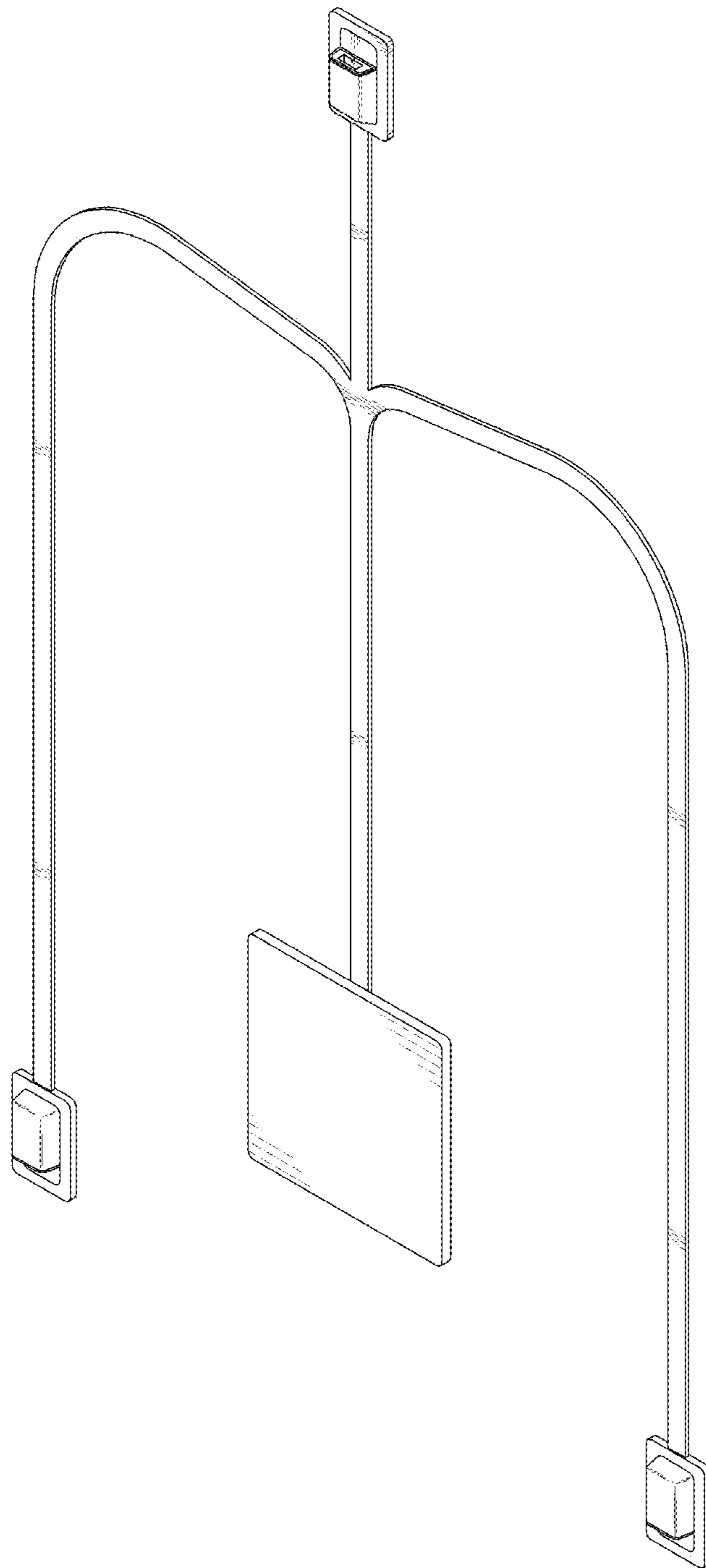


FIG. 2

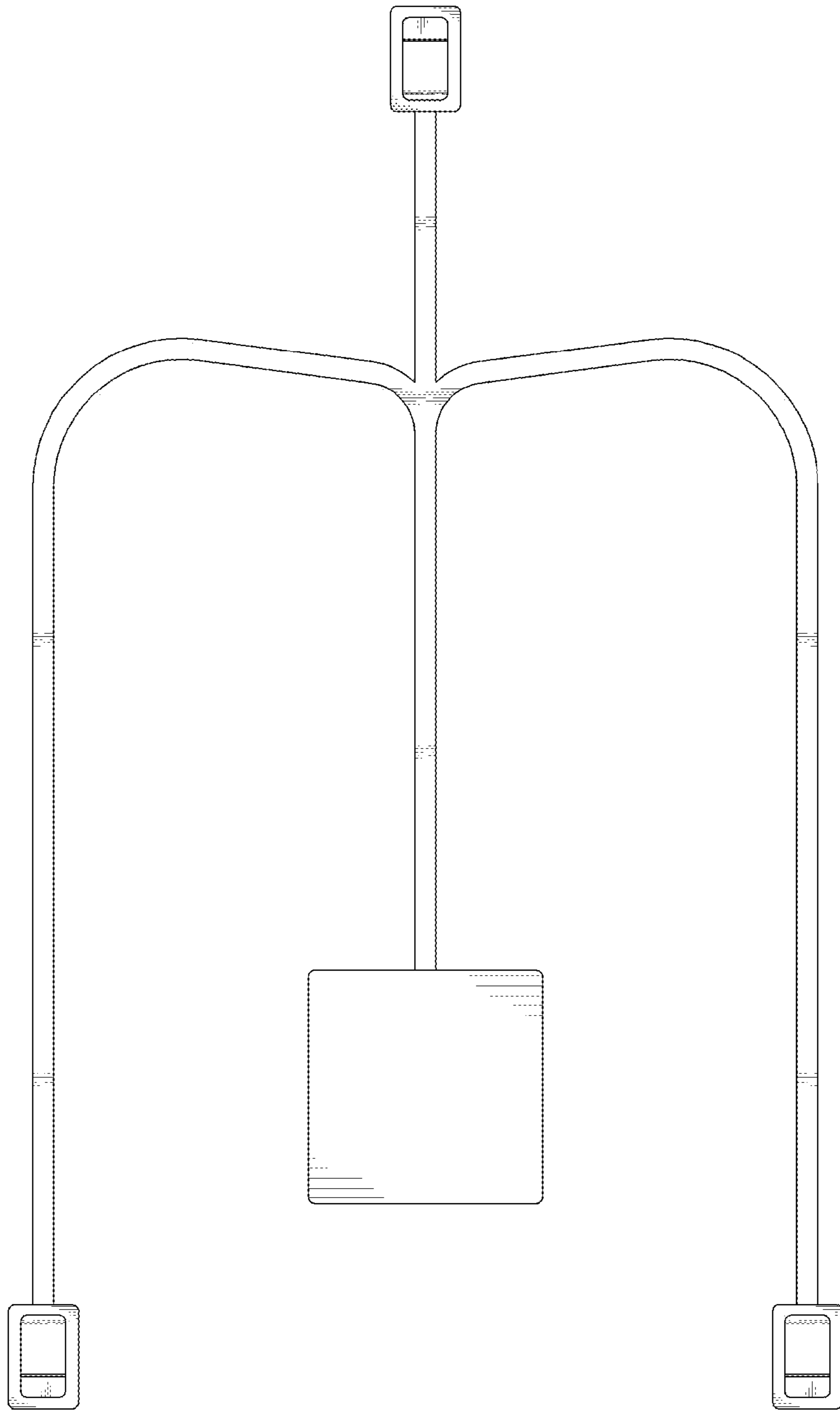


FIG. 3

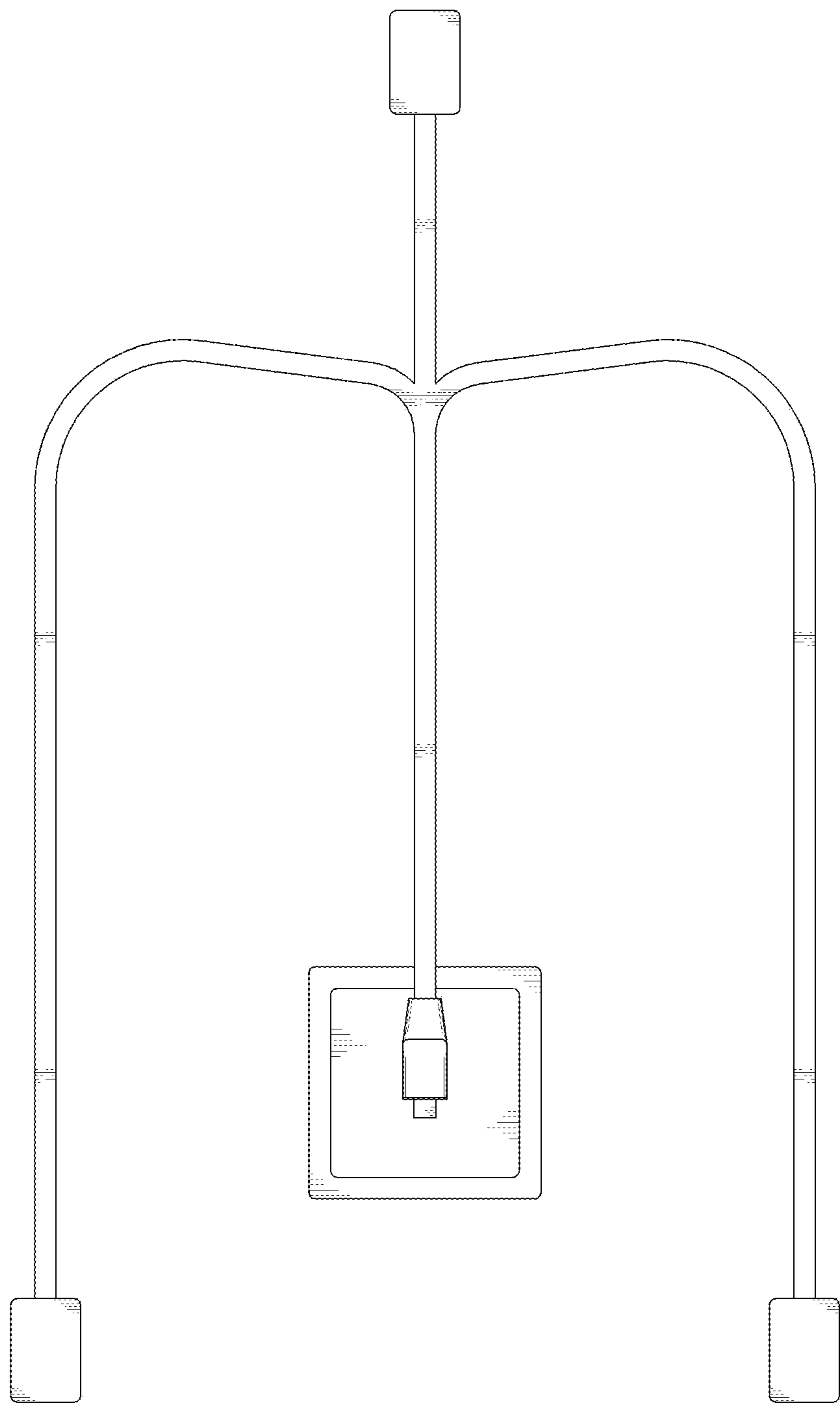


FIG. 4

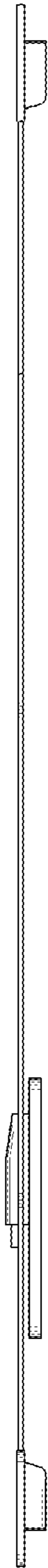


FIG. 5

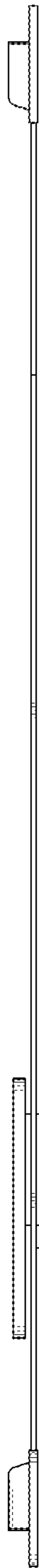


FIG. 6



FIG. 7

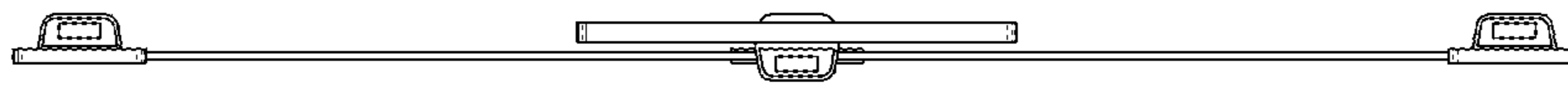


FIG. 8

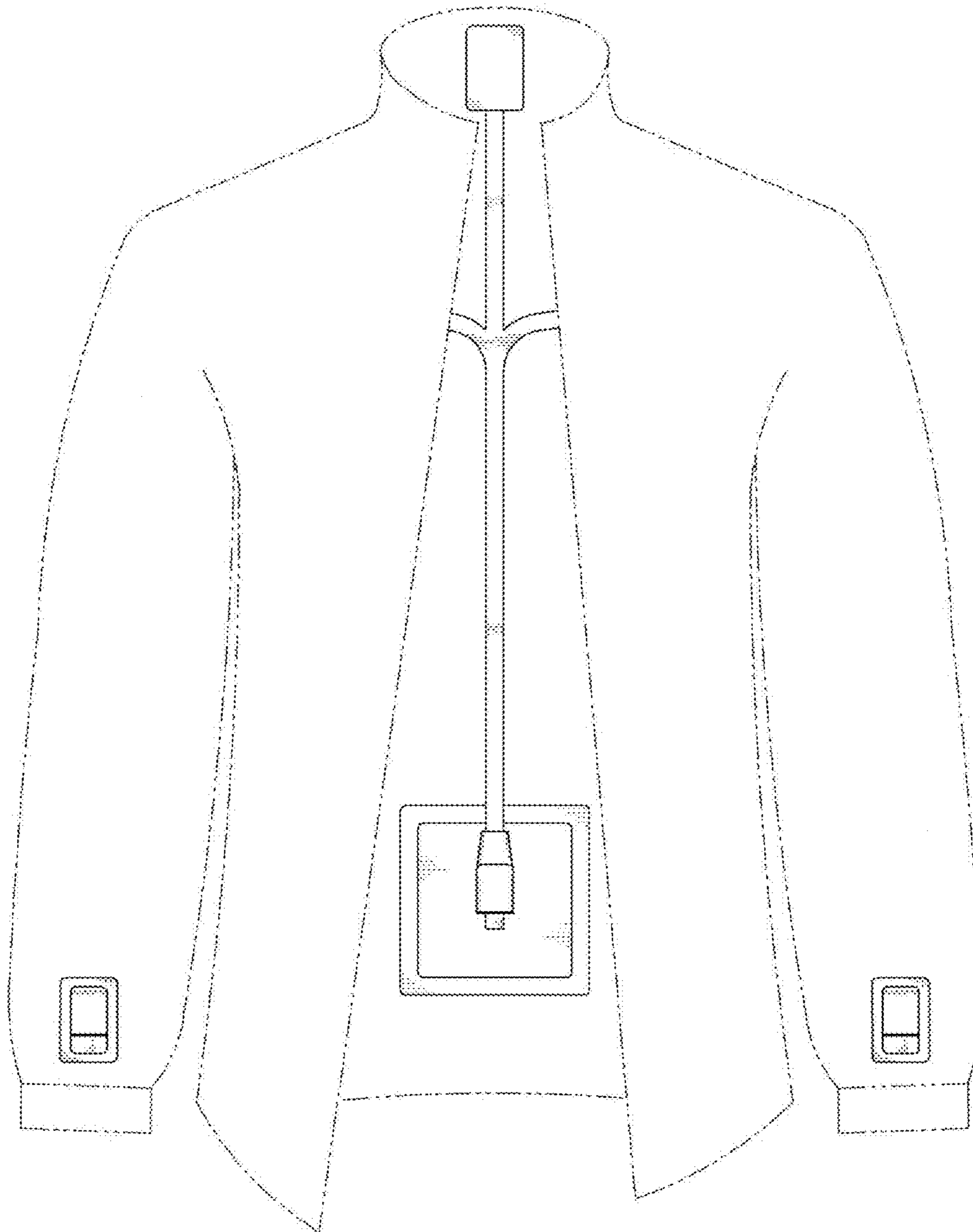


FIG. 9

