



US00D746818S

(12) **United States Design Patent**  
**Cho et al.**

(10) **Patent No.:** **US D746,818 S**  
(45) **Date of Patent:** **\*\* Jan. 5, 2016**

(54) **HEAD MOUNTED DISPLAY**

(71) Applicant: **GREEN OPTICS CO., LTD.,**  
Chungcheongbuk-do (KR)  
(72) Inventors: **Hyun Il Cho,** Chungcheongbuk-do  
(KR); **Dong-Kyun Kim,**  
Chungcheongbuk-do (KR)  
(73) Assignee: **GREEN OPTICS CO., LTD.,**  
Chungcheongbuk-Do (KR)  
(\*\*) Term: **14 Years**

(21) Appl. No.: **29/510,449**

(22) Filed: **Nov. 27, 2014**

(51) **LOC (10) Cl.** ..... **14-02**

(52) **U.S. Cl.**  
USPC ..... **D14/372**

(58) **Field of Classification Search**  
USPC ..... D14/372, 496, 432, 371, 125, 126, 129,  
D14/299; D16/300-342; 351/158, 153, 144;  
345/7-9, 905; 455/344; 348/115, 53,  
348/121, 739  
CPC ..... G02B 27/017; G02B 27/0158; G02B  
27/0161; G02B 27/0181; G02B 27/0185;  
G02B 27/0189

See application file for complete search history.

(56) **References Cited**

U.S. PATENT DOCUMENTS

D380,482 S *	7/1997	Shimasaki .....	D16/100
D440,967 S *	4/2001	Jung .....	D14/372
D444,155 S *	6/2001	Morooka .....	D14/496
D521,493 S *	5/2006	Wai .....	D14/205
D628,616 S *	12/2010	Yuan .....	D16/306
D669,471 S *	10/2012	Hwang .....	D14/372
D704,704 S *	5/2014	Tatara .....	D14/372
D716,365 S *	10/2014	Yamano .....	D16/300
D716,807 S *	11/2014	Yeom .....	D14/372
D716,808 S *	11/2014	Yeom .....	D14/372
D718,366 S *	11/2014	Mehin .....	D16/300
D719,570 S *	12/2014	Heinrich .....	D14/372
D732,028 S *	6/2015	Kim .....	D14/372

\* cited by examiner

*Primary Examiner* — Austin Murphy

(74) *Attorney, Agent, or Firm* — Revolution IP, PLLC

(57) **CLAIM**

The ornamental design for a “head mounted display,” as shown and described.

**DESCRIPTION**

FIG. 1 is a perspective view of head mounted display showing my new design;  
FIG. 2 is a front view thereof;  
FIG. 3 is a rear view thereof;  
FIG. 4 is a left side view thereof;  
FIG. 5 is a right side view thereof;  
FIG. 6 is a top view thereof;  
FIG. 7 is a bottom view thereof; and,  
FIG. 8 is another perspective view thereof.

**1 Claim, 6 Drawing Sheets**

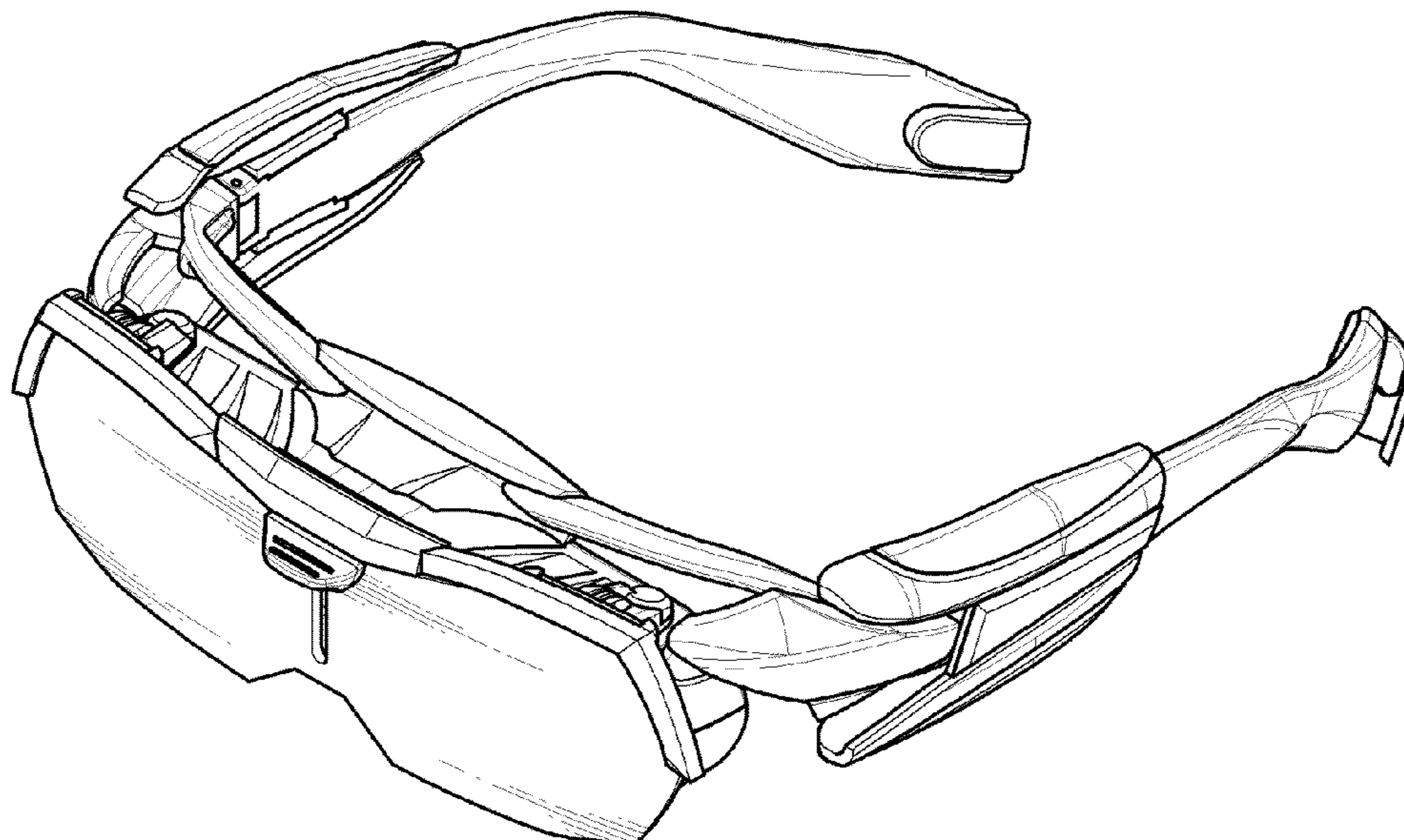


FIG. 1

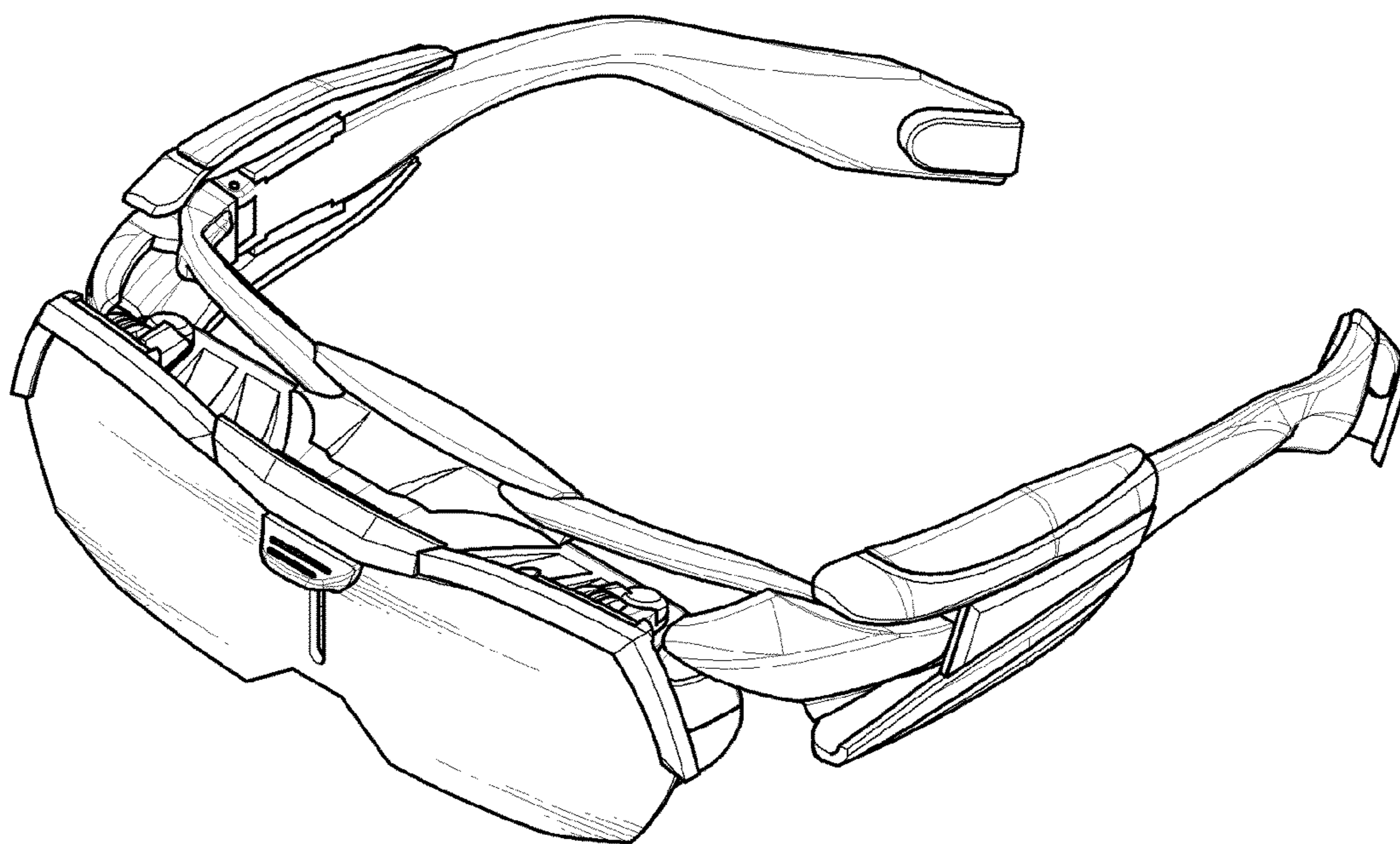


FIG. 2

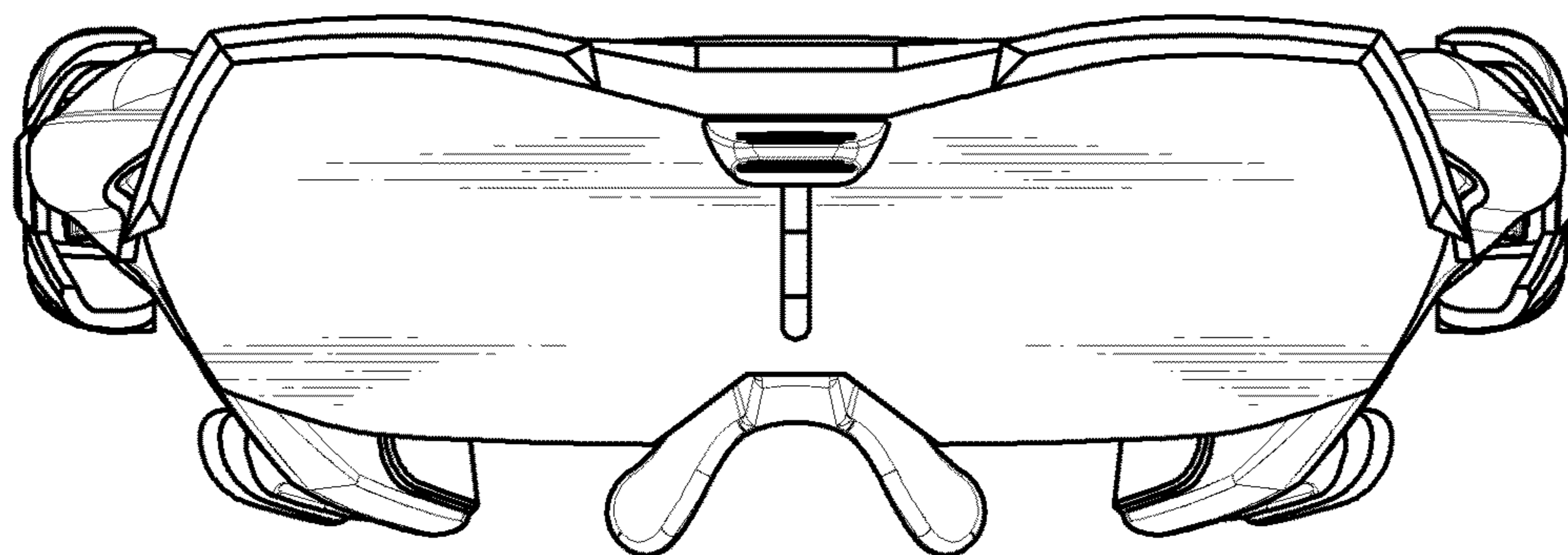


FIG. 3

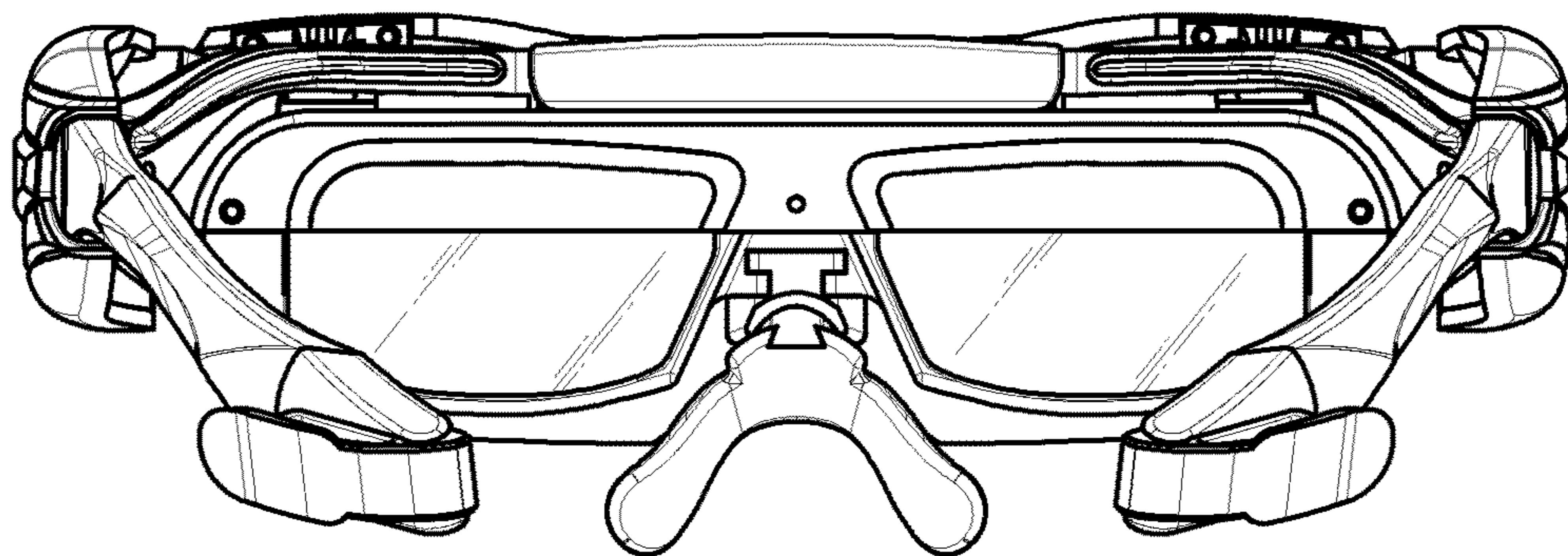


FIG. 4

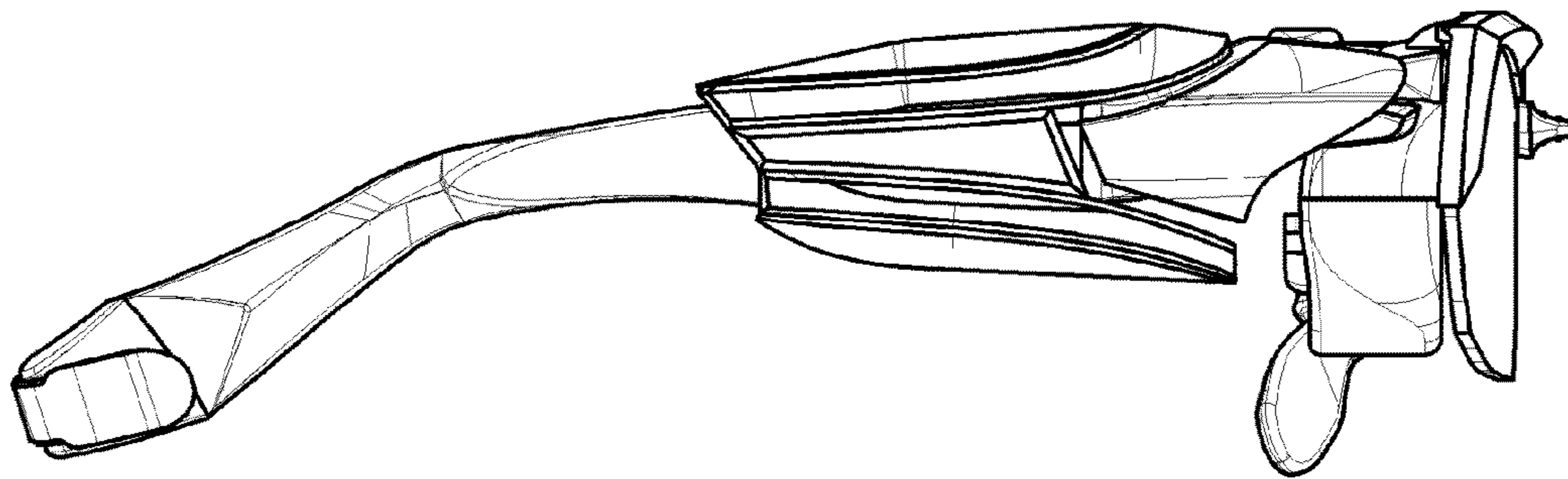


FIG. 5

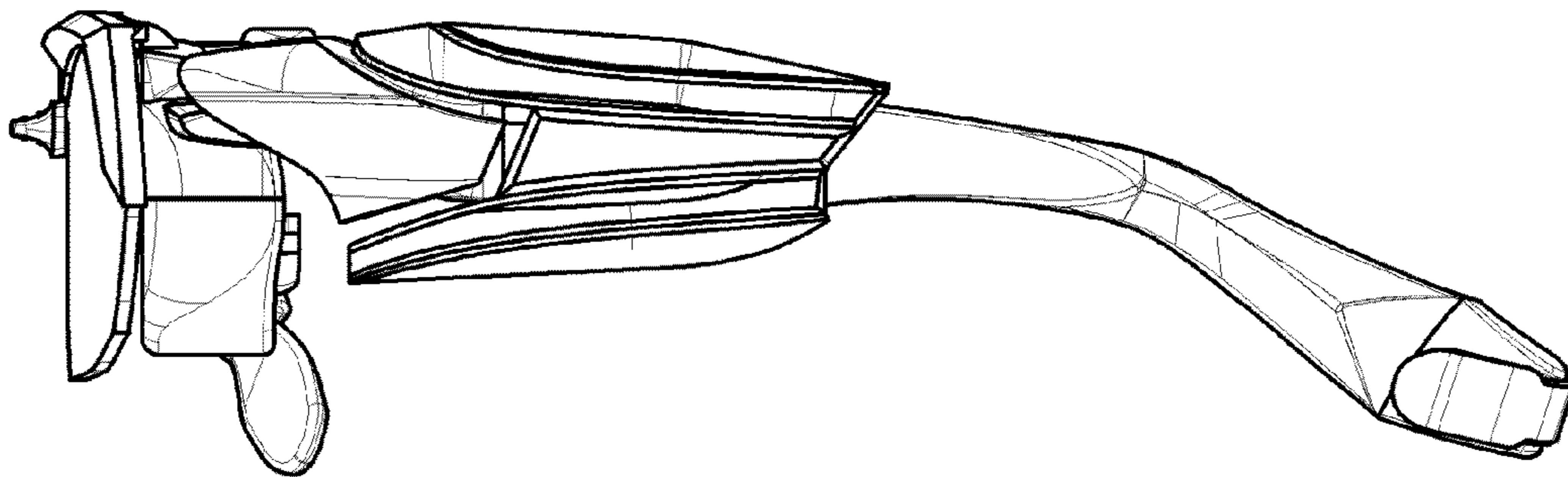


FIG. 6

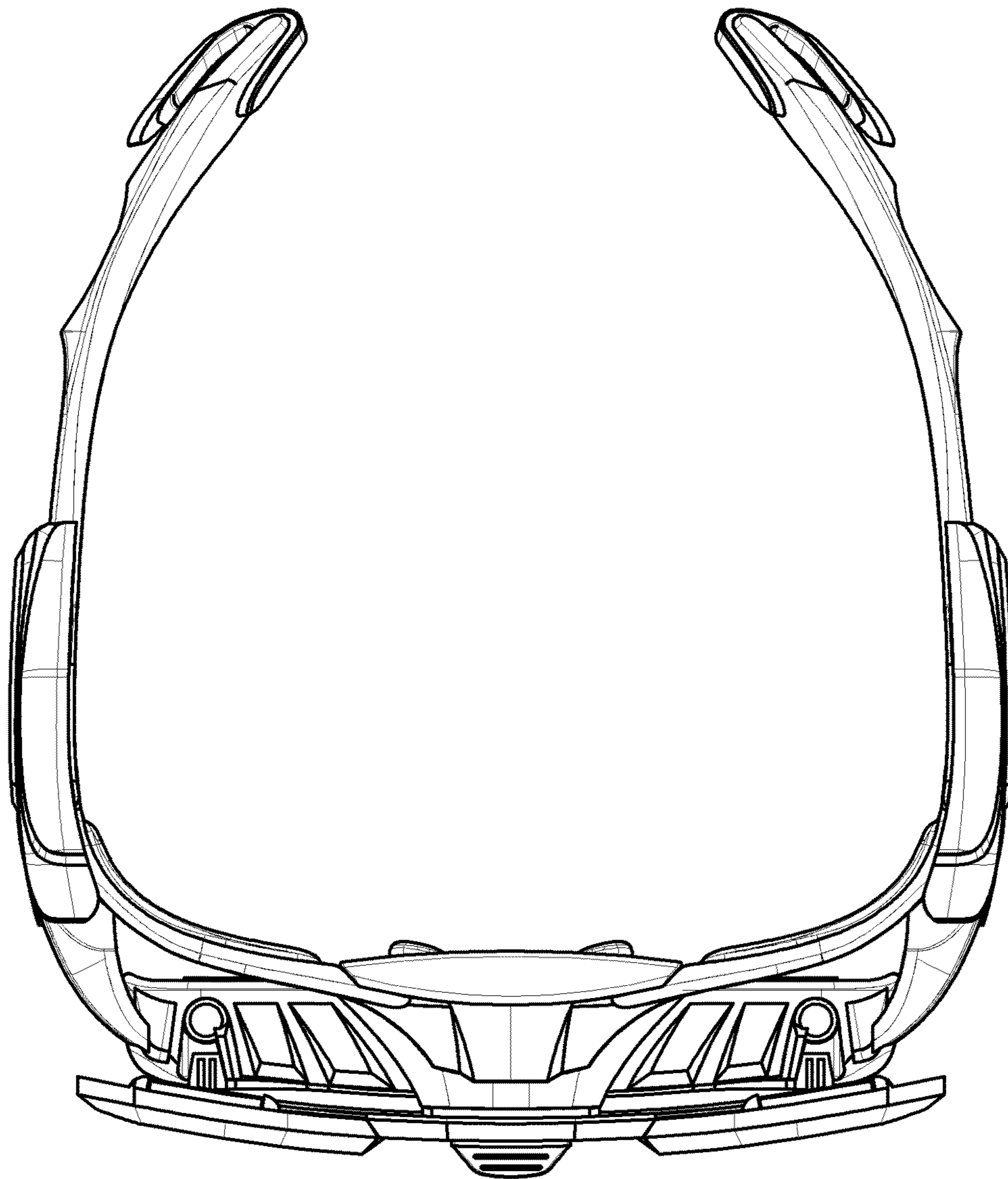


FIG. 7

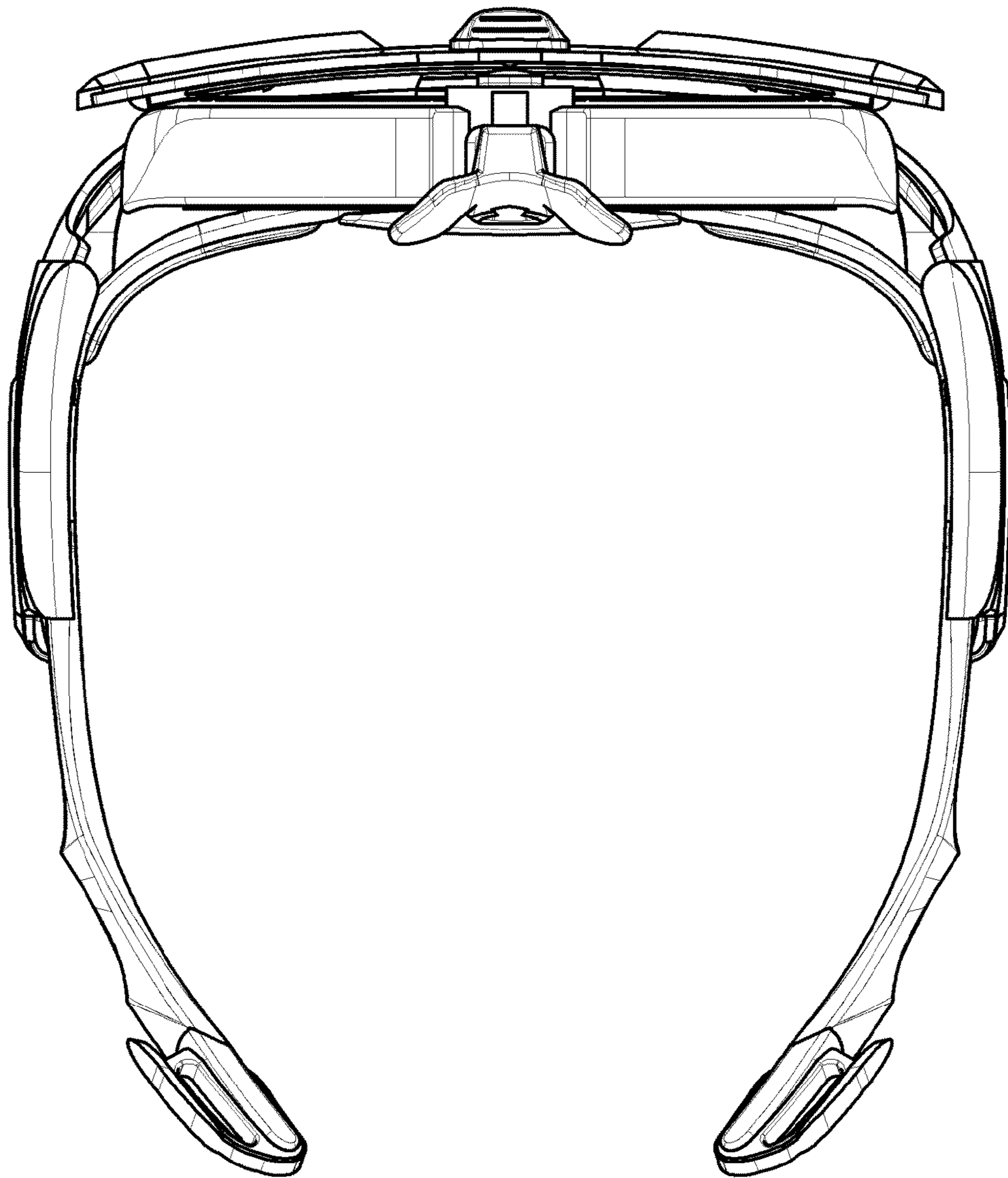


FIG. 8

