



US00D746816S

(12) **United States Design Patent**
Lim et al.

(10) **Patent No.:** **US D746,816 S**
(45) **Date of Patent:** **** Jan. 5, 2016**

(54) **MOBILE PHONE**

(71) Applicant: **LG ELECTRONICS INC.**, Seoul (KR)

(72) Inventors: **Hwitae Lim**, Seoul (KR); **Cheolwoong Shin**, Seoul (KR)

(73) Assignee: **LG Electronics Inc.**, Seoul (KR)

(**) Term: **14 Years**

(21) Appl. No.: **29/503,656**

(22) Filed: **Sep. 29, 2014**

(30) **Foreign Application Priority Data**

Mar. 31, 2014 (KR) 30-2014-0016111

(51) **LOC (10) Cl.** **14-02**

(52) **U.S. Cl.**
USPC **D14/344**; D14/138 R; D10/38

(58) **Field of Classification Search**
USPC D14/140, 137, 138 R, 138 AB, 139, 144,
D14/155, 167, 191, 192, 203.1, 203.3,
D14/203.4, 203.5, 203.7, 248, 226, 218,
D14/240, 344, 440, 341, 346, 448, 450,
D14/496; D10/30-32, 37-39, 65, 70, 77,
D10/78, 98, 104.1, 104.2, 125; D11/3-5,
D11/12, 19, 25; D13/168; D3/215;
D15/199; 381/364, 151; 379/433.1;
455/575.1, 575.3, 575.4, 575.6, 556.1,
455/556.2, 558, 90.3; 368/10, 13, 69, 223,
368/281, 282, 294, 295, 296; D21/329,
D21/513; D24/167, 186
CPC H04M 1/0227; H04M 1/03; H04M 1/04;
G04G 9/00; G04G 17/00; G04G 17/04;
G04G 17/06

See application file for complete search history.

(56) **References Cited**

U.S. PATENT DOCUMENTS

D292,678	S	*	11/1987	Takeichi	D10/39
D348,010	S	*	6/1994	Riley	D10/30
D403,246	S	*	12/1998	Hanagata	D10/30
D462,623	S	*	9/2002	Fujihara	D10/30
D477,235	S	*	7/2003	El Kadiri	D10/30
D543,123	S	*	5/2007	Min	D10/38
D551,993	S	*	10/2007	Kachi	D10/38
D563,244	S	*	3/2008	Wei	D10/38
D580,796	S	*	11/2008	Calvani	D10/33
D582,792	S	*	12/2008	Lalo	D10/38
D582,793	S	*	12/2008	Lalo	D10/38
D599,218	S	*	9/2009	Izuka et al.	D10/32
D666,924	S	*	9/2012	Ahlstrom	D10/32
D666,925	S	*	9/2012	Ahlstrom	D10/32
D668,971	S	*	10/2012	Tedeschi	D10/39
D682,713	S	*	5/2013	Vaptzarof	D10/39
D701,465	S	*	3/2014	Ganz	D10/38
8,773,847	B2	*	7/2014	Byun et al.	361/679.03
D717,759	S	*	11/2014	Choi et al.	D14/138 R
D719,125	S	*	12/2014	Choi et al.	D14/138 R
D724,961	S	*	3/2015	Vaptzarof	D10/39

(Continued)

Primary Examiner — Susan Bennett Hattan

Assistant Examiner — Marie Fast Horse

(74) *Attorney, Agent, or Firm* — Birch, Stewart, Kolasch & Birch, LLP

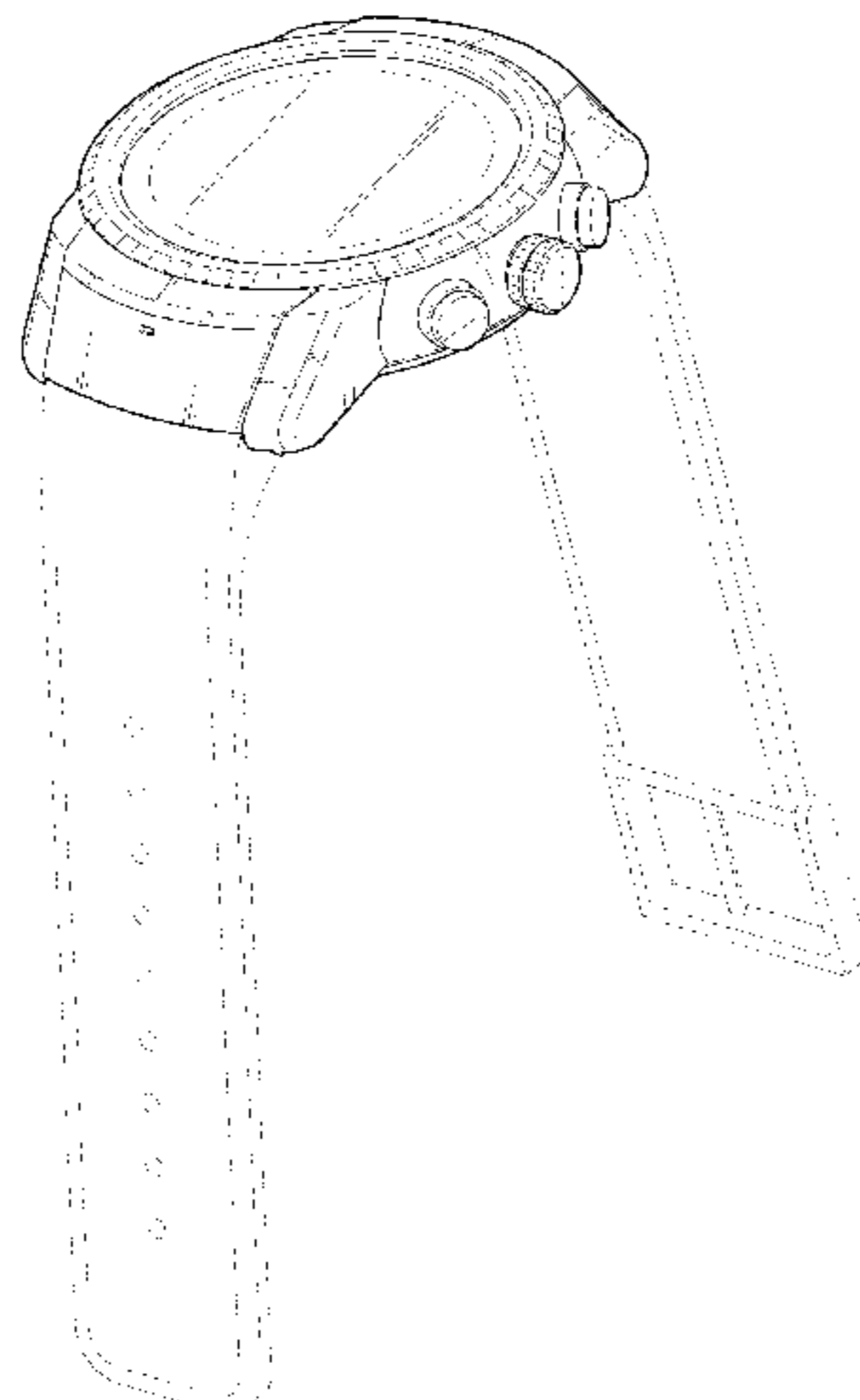
(57) **CLAIM**

The ornamental design for a mobile phone, as shown and described.

DESCRIPTION

FIG. 1 is a perspective view of a mobile phone showing our new design;
FIG. 2 is a front view thereof;
FIG. 3 is a rear view thereof;
FIG. 4 is a left side view thereof;
FIG. 5 is a right side view thereof;
FIG. 6 is a top plan view thereof; and,
FIG. 7 is a bottom plan view thereof.
The broken lines depict portions of the mobile phone that form no part of the claimed design.

1 Claim, 7 Drawing Sheets



US D746,816 S

Page 2

(56)

References Cited

U.S. PATENT DOCUMENTS

D725,073 S *	3/2015	Ji et al.	D14/138 R	
D726,675 S *	4/2015	Choi et al.	D14/138 R	* cited by examiner
D726,679 S *	4/2015	Kim et al.	D14/138 R	
D731,455 S *	6/2015	Park et al.	D14/138 R	
D732,981 S *	6/2015	Waecker	D10/38	

FIG. 1

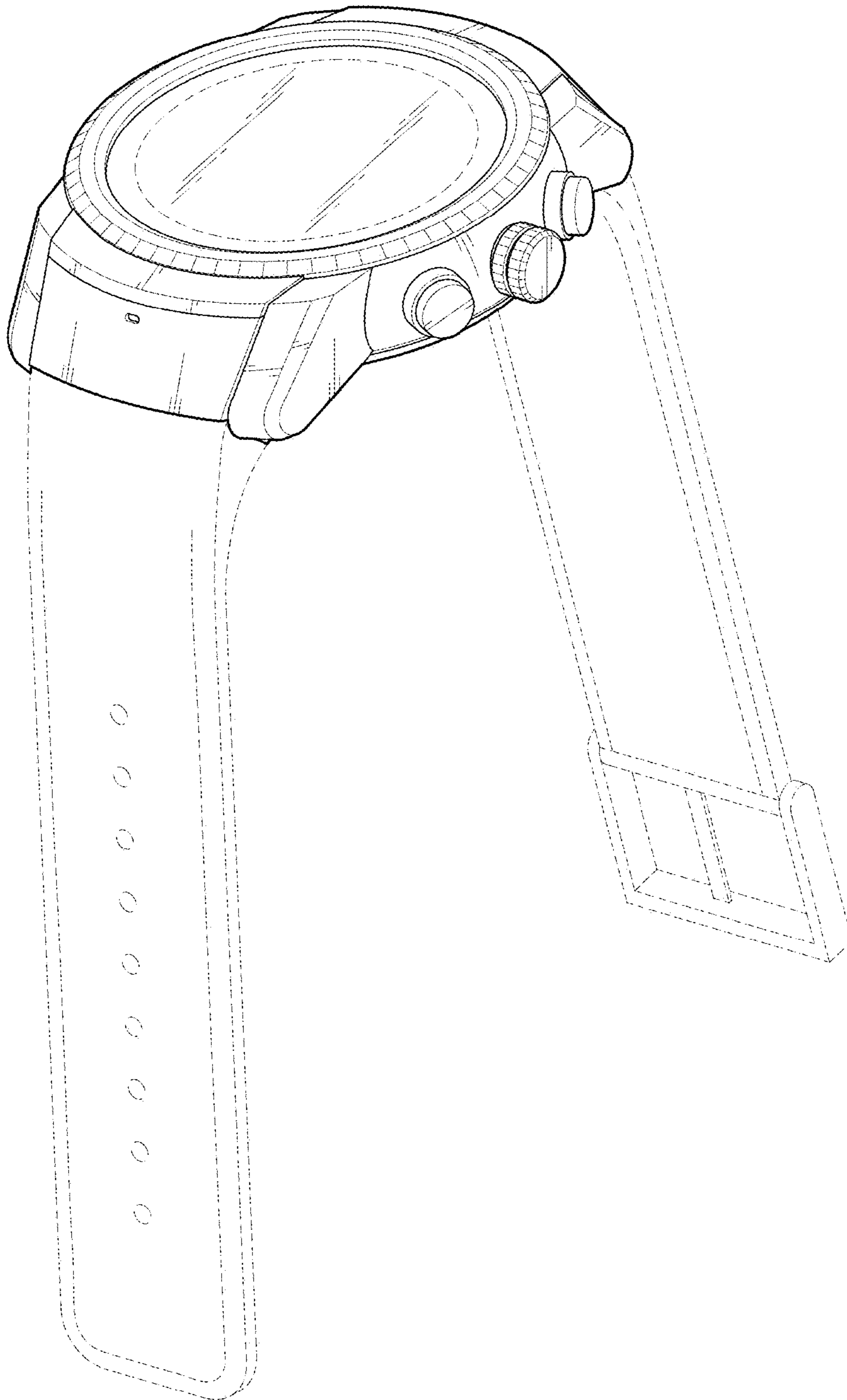


FIG. 2

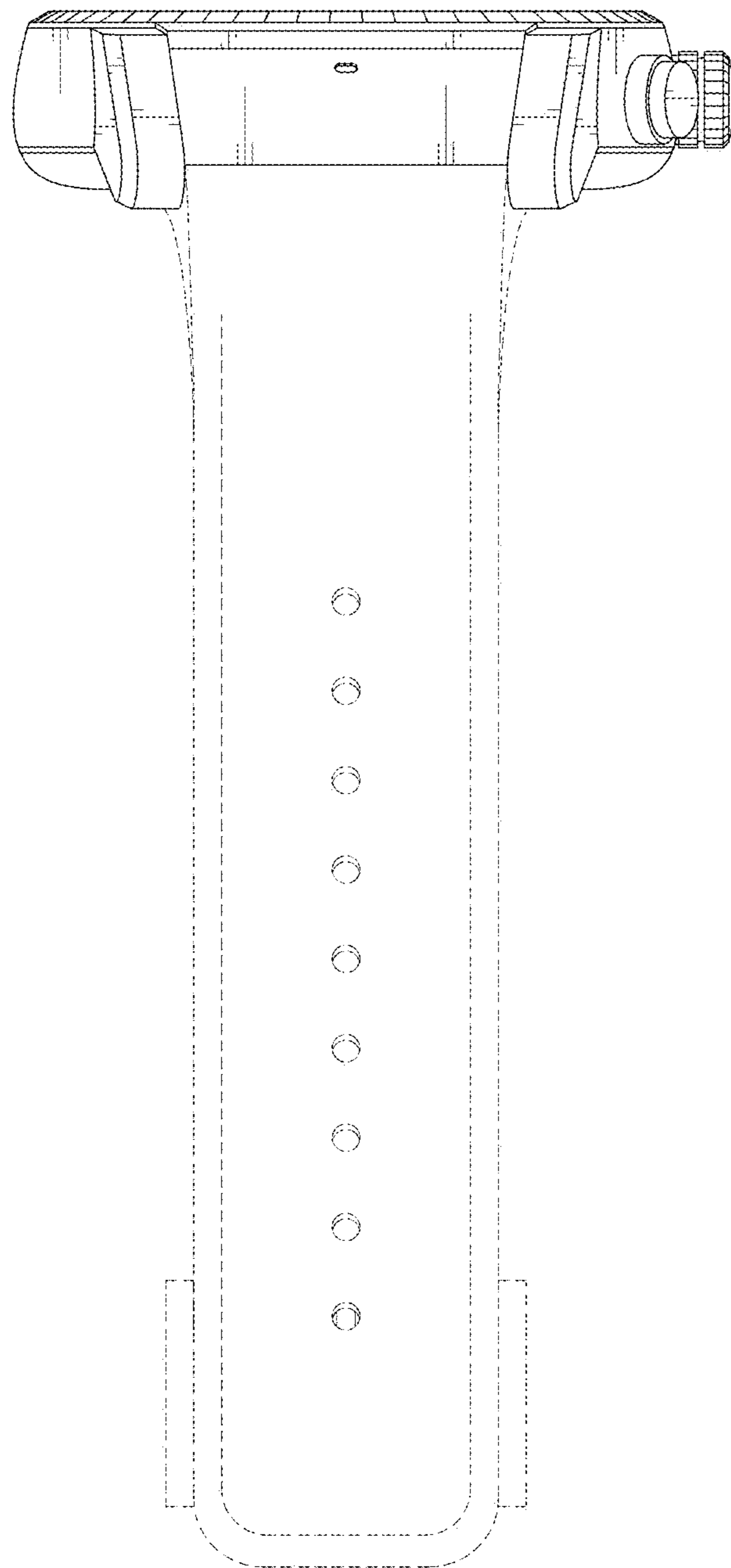


FIG. 3

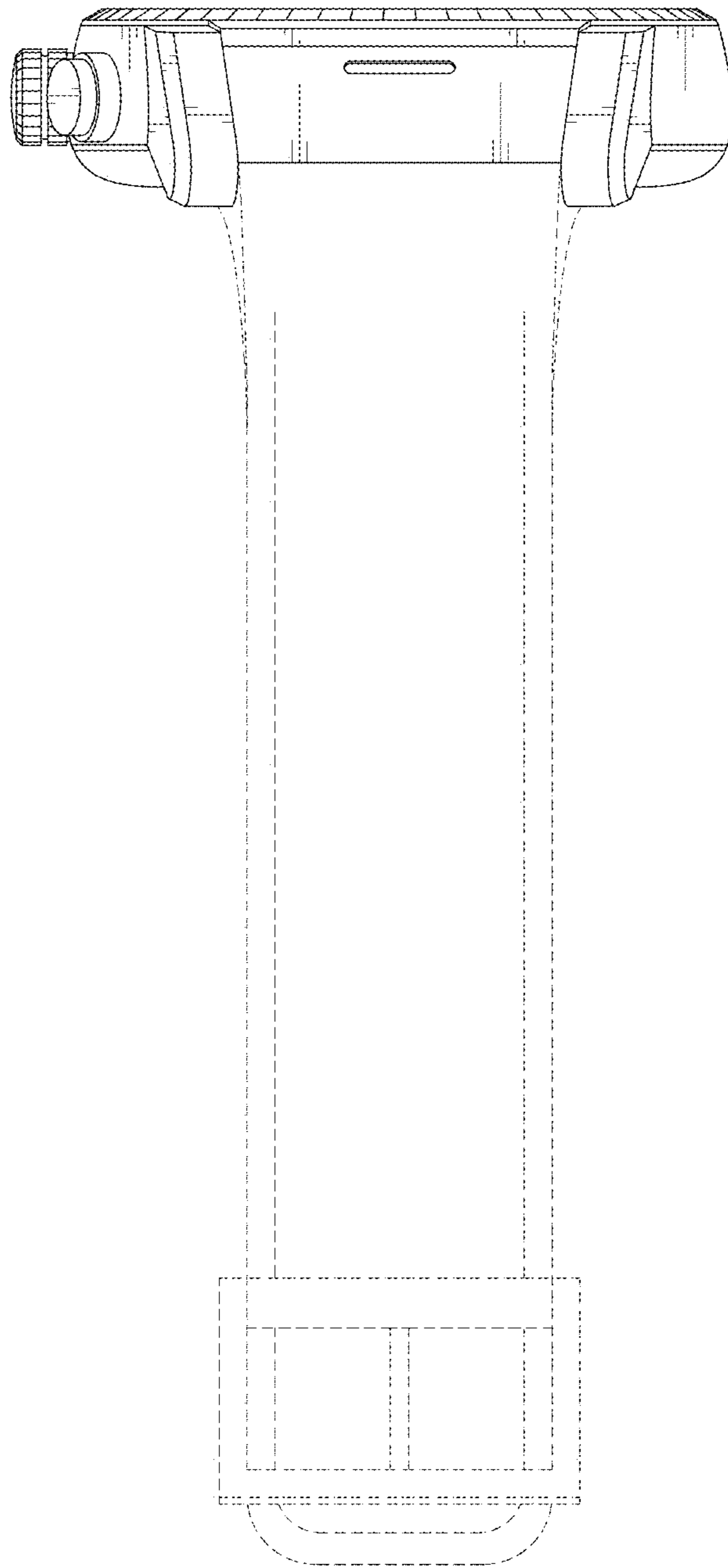


FIG. 4

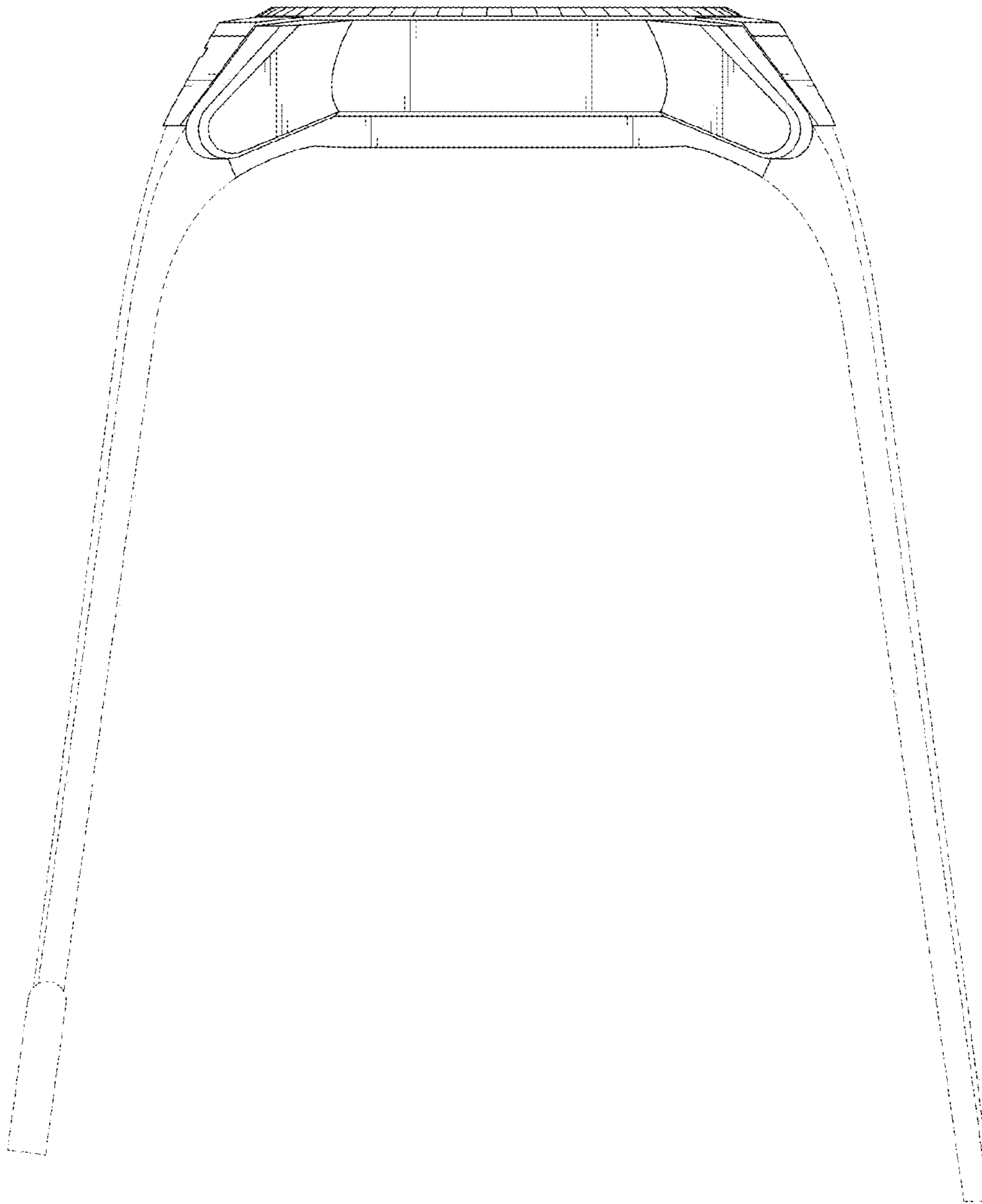


FIG. 5

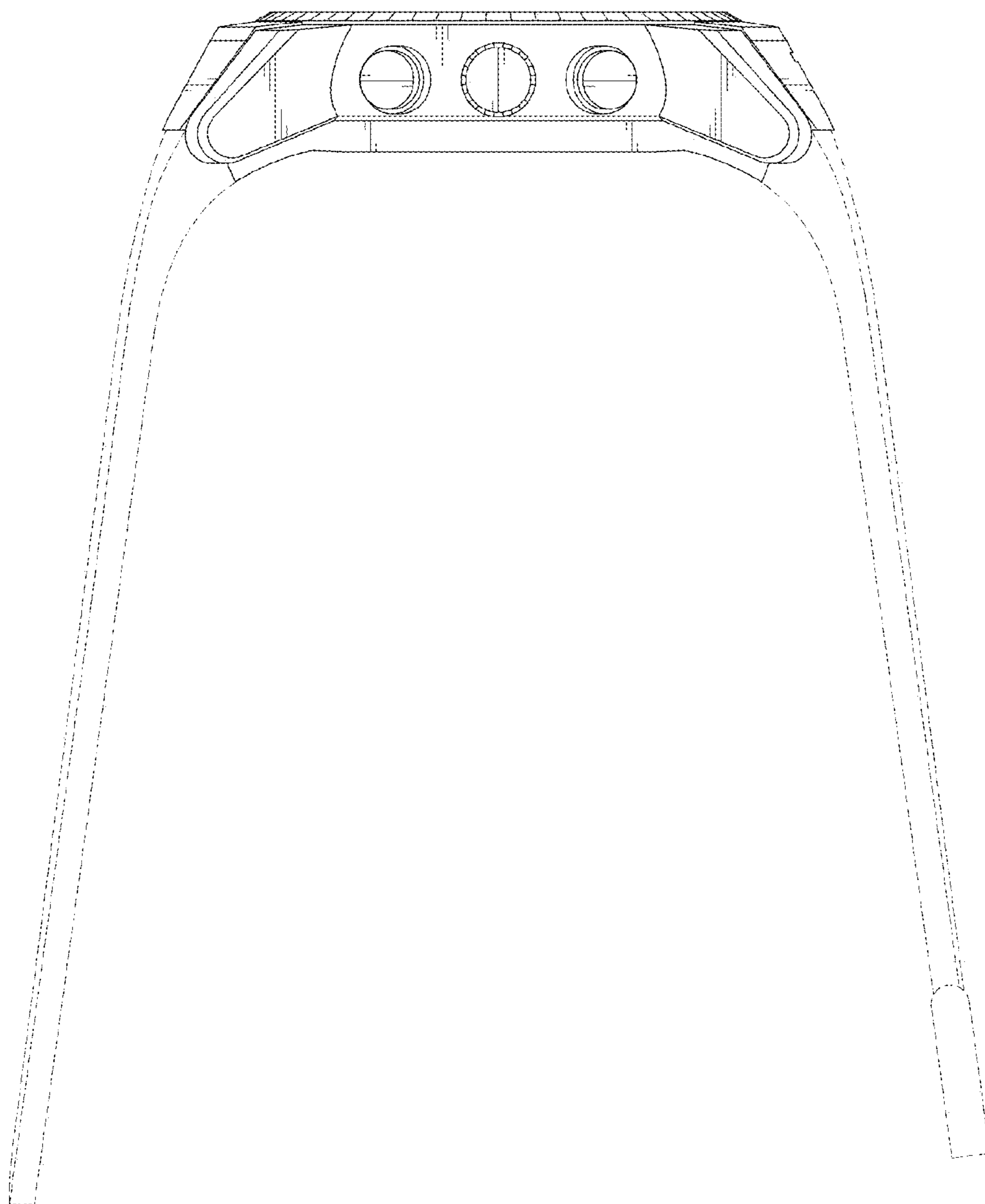


FIG. 6

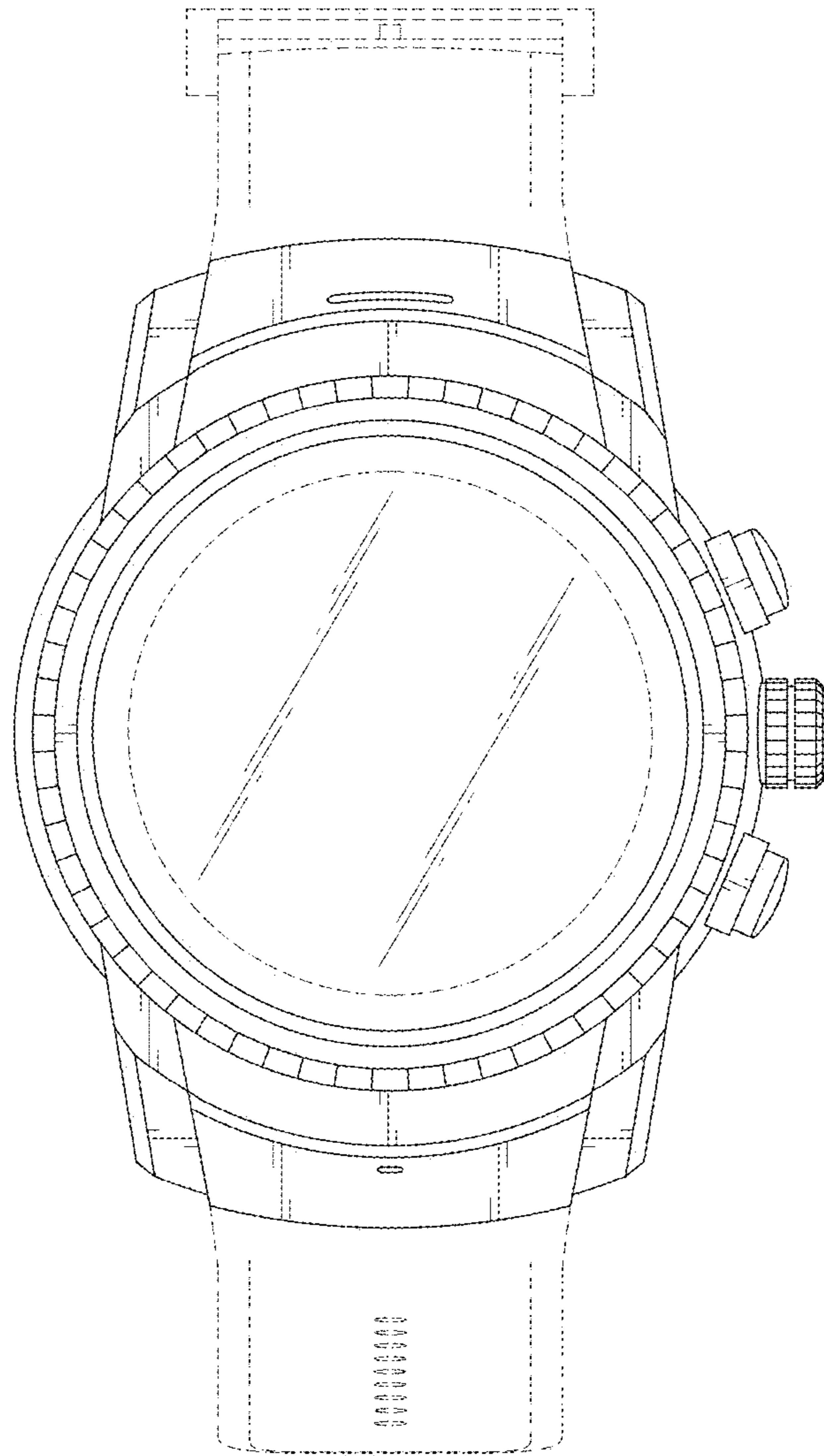


FIG. 7

