



US00D746815S

(12) **United States Design Patent**  
**Lim et al.**

(10) **Patent No.:** **US D746,815 S**  
(45) **Date of Patent:** **\*\* Jan. 5, 2016**

(54) **MOBILE PHONE**

(71) Applicant: **LG ELECTRONICS INC.**, Seoul (KR)

(72) Inventors: **Hwitae Lim**, Seoul (KR); **Cheolwoong Shin**, Seoul (KR)

(73) Assignee: **LG Electronics Inc.**, Seoul (KR)

(\*\*) Term: **14 Years**

(21) Appl. No.: **29/503,645**

(22) Filed: **Sep. 29, 2014**

(30) **Foreign Application Priority Data**

Mar. 31, 2014 (KR) ..... 30-2014-0016112

(51) **LOC (10) Cl.** ..... **14-02**

(52) **U.S. Cl.**  
USPC ..... **D14/344**; D14/138 R; D10/38

(58) **Field of Classification Search**  
USPC ..... D14/140, 137, 138 R, 138 AB, 139, 144,  
D14/155, 167, 191, 192, 203.1, 203.3,  
D14/203.4, 203.5, 203.7, 248, 226, 218,  
D14/240, 344, 440, 341, 346, 448, 450,  
D14/496; D10/30-32, 37-39, 65, 70, 77,  
D10/78, 98, 104.1, 104.2, 125; D11/3-5,  
D11/12, 19, 25; D13/168; D3/215;  
D15/199; 381/364, 151; 379/433.1;  
455/575.1, 575.3, 575.4, 575.6, 556.1,  
455/556.2, 558, 90.3; 368/10, 13, 69, 223,  
368/281, 282, 294, 295, 296; D21/329,  
D21/513; D24/167, 186  
CPC ..... H04M 1/0227; H04M 1/03; H04M 1/04;  
G04G 9/00; G04G 17/00; G04G 17/04;  
G04G 17/06

See application file for complete search history.

(56) **References Cited**

U.S. PATENT DOCUMENTS

D292,678	S	*	11/1987	Takeichi	.....	D10/39
D348,010	S	*	6/1994	Riley	.....	D10/30
D391,499	S	*	3/1998	Houlihan et al.	.....	D10/30
D403,246	S	*	12/1998	Hanagata	.....	D10/30
D441,303	S	*	5/2001	Hanagata	.....	D10/30
D462,623	S	*	9/2002	Fujihara	.....	D10/30
6,535,461	B1	*	3/2003	Karhu	.....	368/10
D477,234	S	*	7/2003	El Kadiri	.....	D10/30
D477,235	S	*	7/2003	El Kadiri	.....	D10/30
D543,123	S	*	5/2007	Min	.....	D10/38
D551,992	S	*	10/2007	Howard et al.	.....	D10/38
D551,993	S	*	10/2007	Kachi	.....	D10/38
D563,244	S	*	3/2008	Wei	.....	D10/38
D580,796	S	*	11/2008	Calvani	.....	D10/33
D582,792	S	*	12/2008	Lalo	.....	D10/38
D582,793	S	*	12/2008	Lalo	.....	D10/38
D599,218	S	*	9/2009	Izuka et al.	.....	D10/32
D640,576	S	*	6/2011	Nashimoto	.....	D10/38
D666,924	S	*	9/2012	Ahlstrom	.....	D10/32
D666,925	S	*	9/2012	Ahlstrom	.....	D10/32
D668,971	S	*	10/2012	Tedeschi	.....	D10/39

(Continued)

*Primary Examiner* — Susan Bennett Hattan

*Assistant Examiner* — Marie Fast Horse

(74) *Attorney, Agent, or Firm* — Birch, Stewart, Kolasch & Birch, LLP

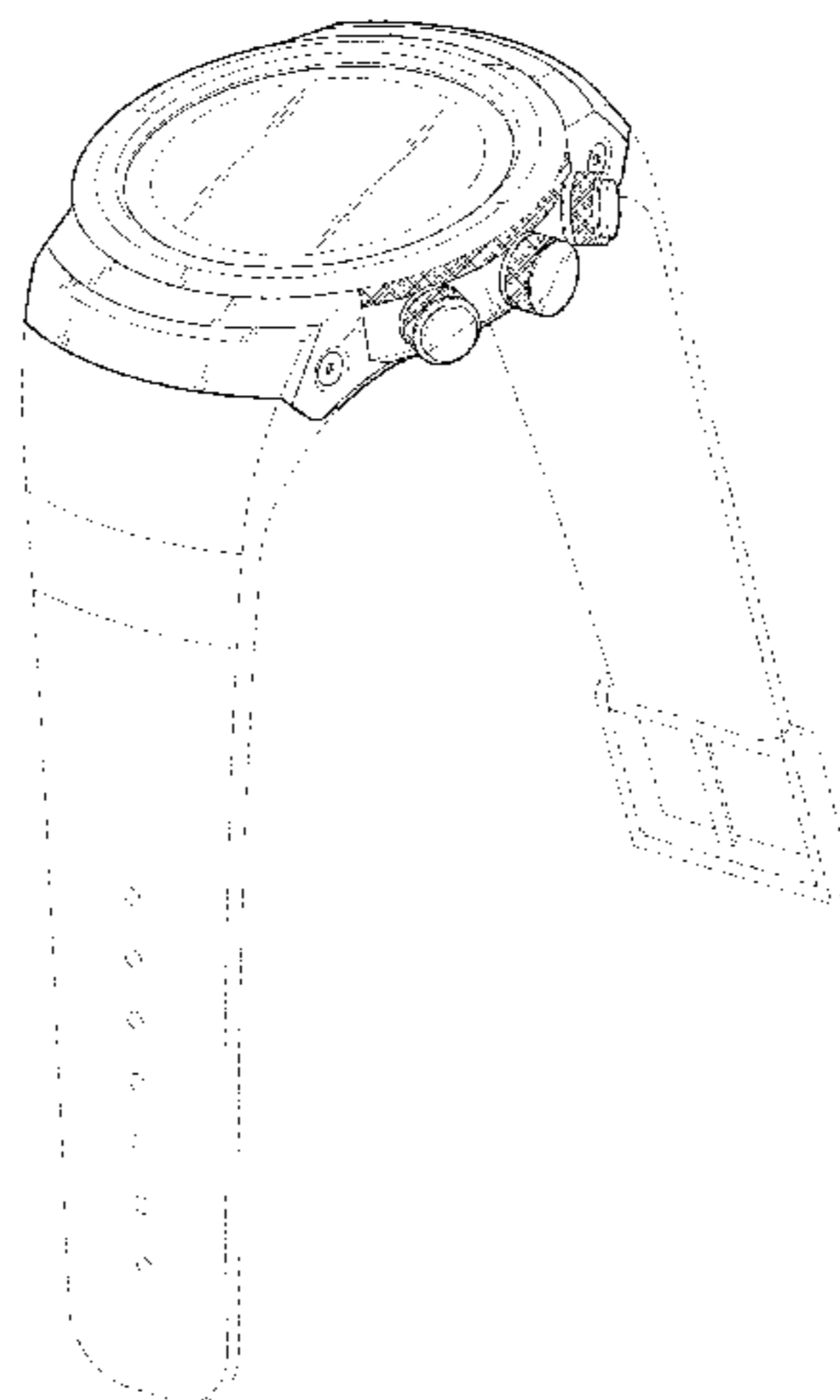
(57) **CLAIM**

The ornamental design for a mobile phone, as shown and described.

**DESCRIPTION**

FIG. 1 is a perspective view of a mobile phone showing our new design;  
FIG. 2 is a front view thereof;  
FIG. 3 is a rear view thereof;  
FIG. 4 is a left side view thereof;  
FIG. 5 is a right side view thereof;  
FIG. 6 is a top plan view thereof; and,  
FIG. 7 is a bottom plan view thereof.  
The broken lines depict portions of the mobile phone that form no part of the claimed design.

**1 Claim, 7 Drawing Sheets**



(56)

**References Cited**

U.S. PATENT DOCUMENTS

D682,713 S *	5/2013	Vaptzarof	.....	D10/39	D725,073 S *	3/2015	Ji et al.	.....	D14/138 R
D684,066 S *	6/2013	Messmer et al.	.....	D10/39	D726,675 S *	4/2015	Choi et al.	.....	D14/138 R
8,773,847 B2 *	7/2014	Byun et al.	.....	361/679.03	D726,677 S *	4/2015	Choi et al.	.....	D14/138 R
D717,759 S *	11/2014	Choi et al.	.....	D14/138 R	D726,679 S *	4/2015	Kim et al.	.....	D14/138 R
D717,760 S *	11/2014	Kim et al.	.....	D14/138 R	D731,455 S *	6/2015	Park et al.	.....	D14/138 R
D719,125 S *	12/2014	Choi et al.	.....	D14/138 R	D732,981 S *	6/2015	Waecker	.....	D10/38
D724,961 S *	3/2015	Vaptzarof	.....	D10/39	D733,579 S *	7/2015	Arellano	.....	D10/38
					2008/0267014 A1 *	10/2008	Hyatt	.....	368/10
					2012/0099406 A1 *	4/2012	Lau et al.	.....	368/69

\* cited by examiner

FIG. 1

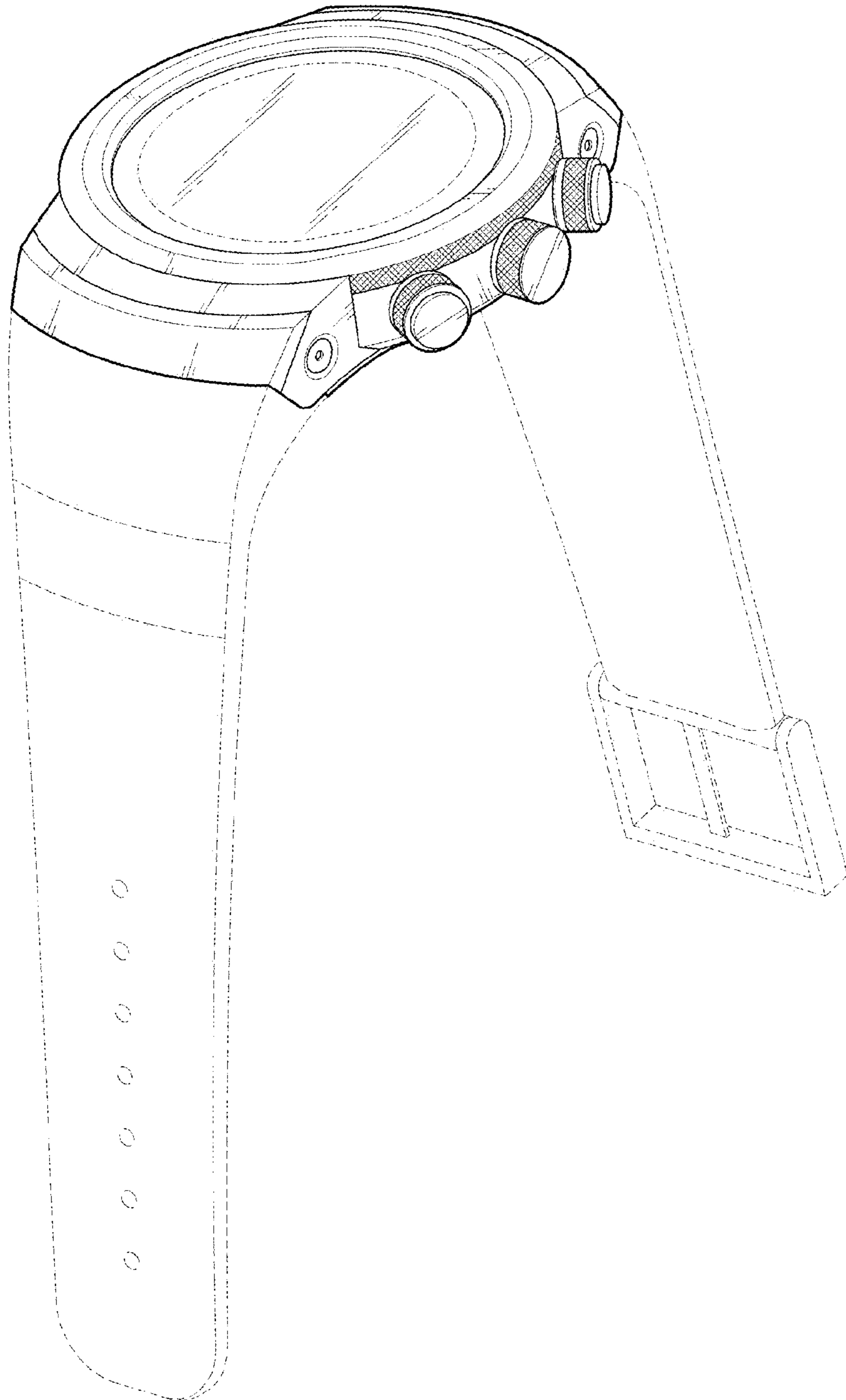


FIG. 2

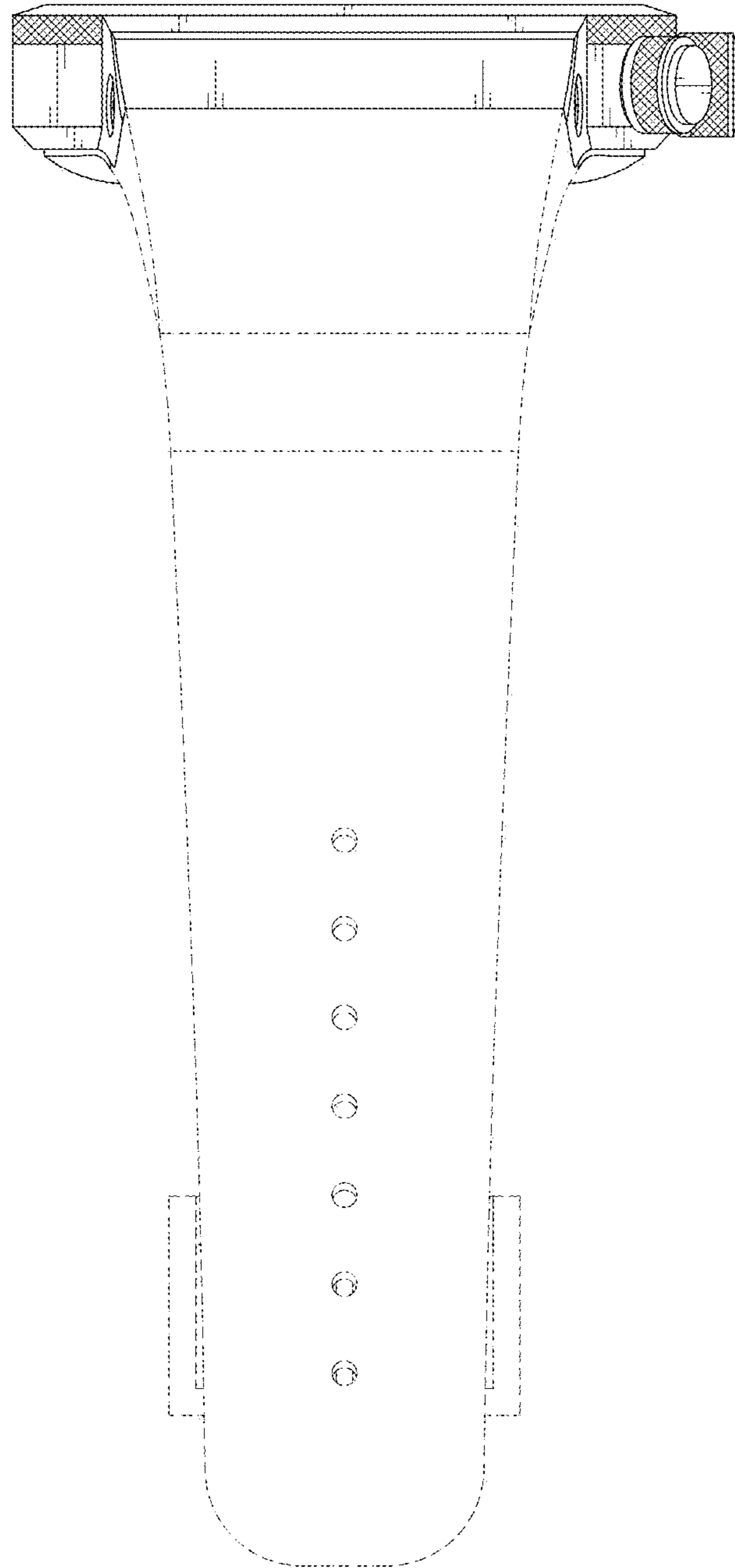


FIG. 3

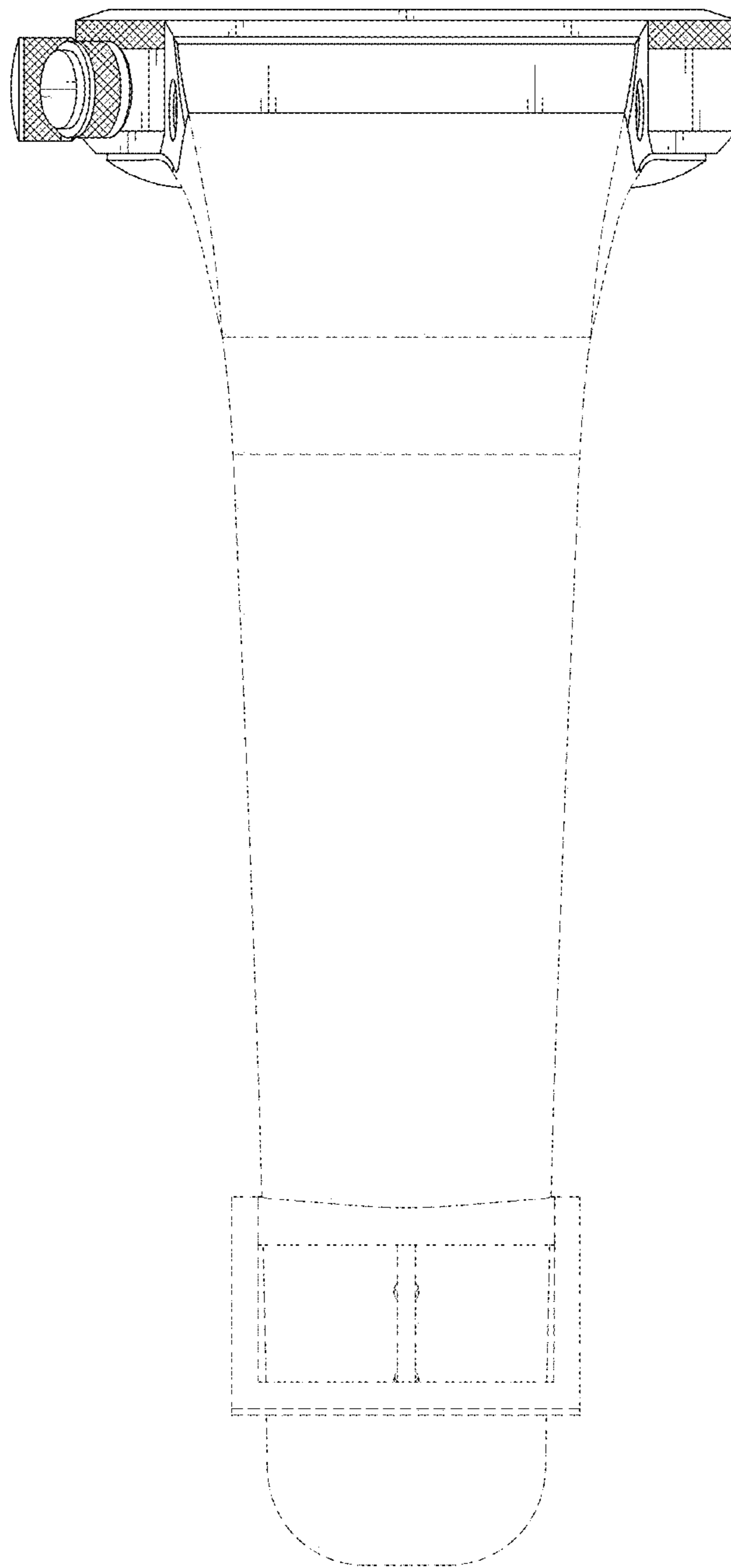


FIG. 4

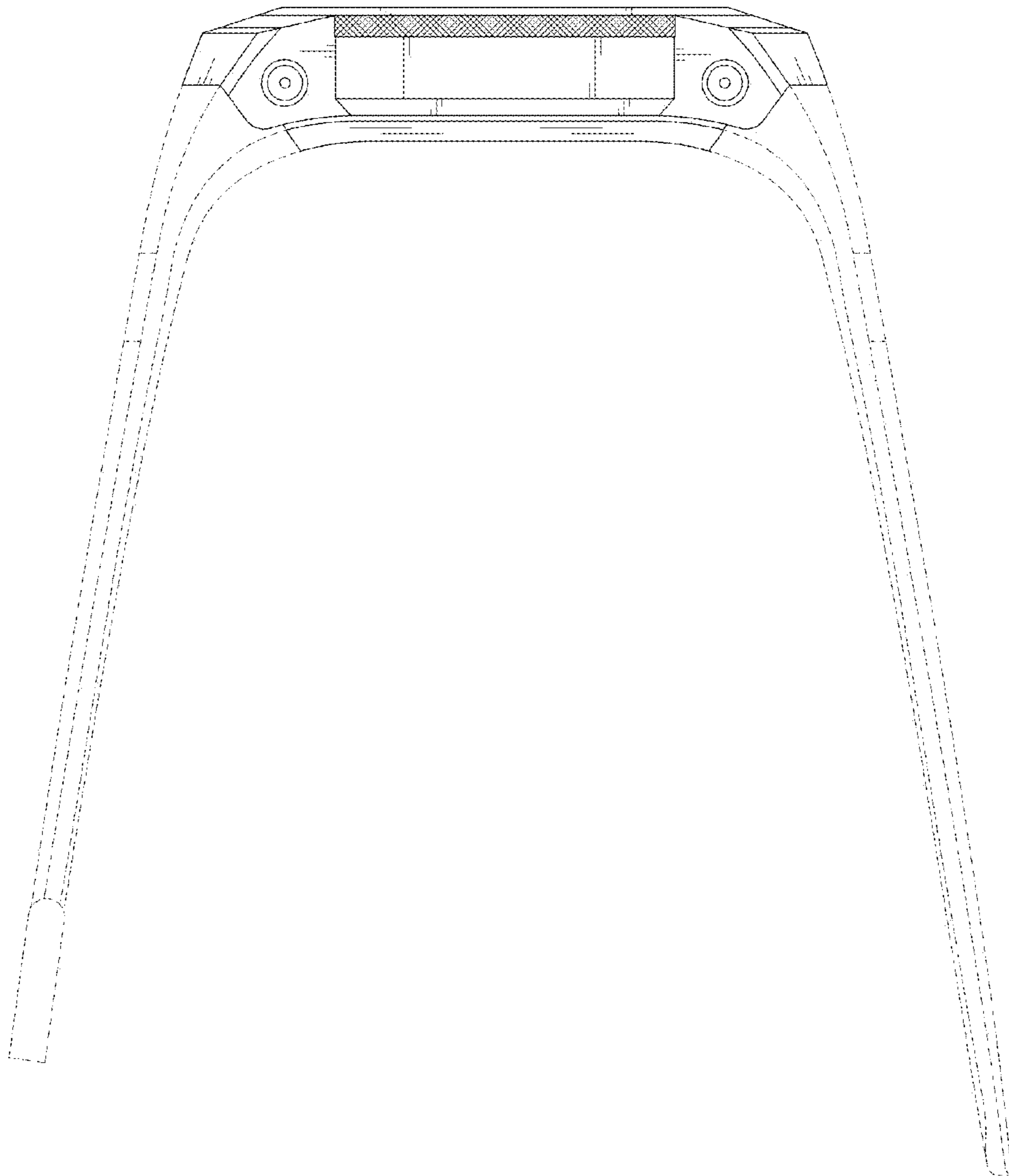


FIG. 5

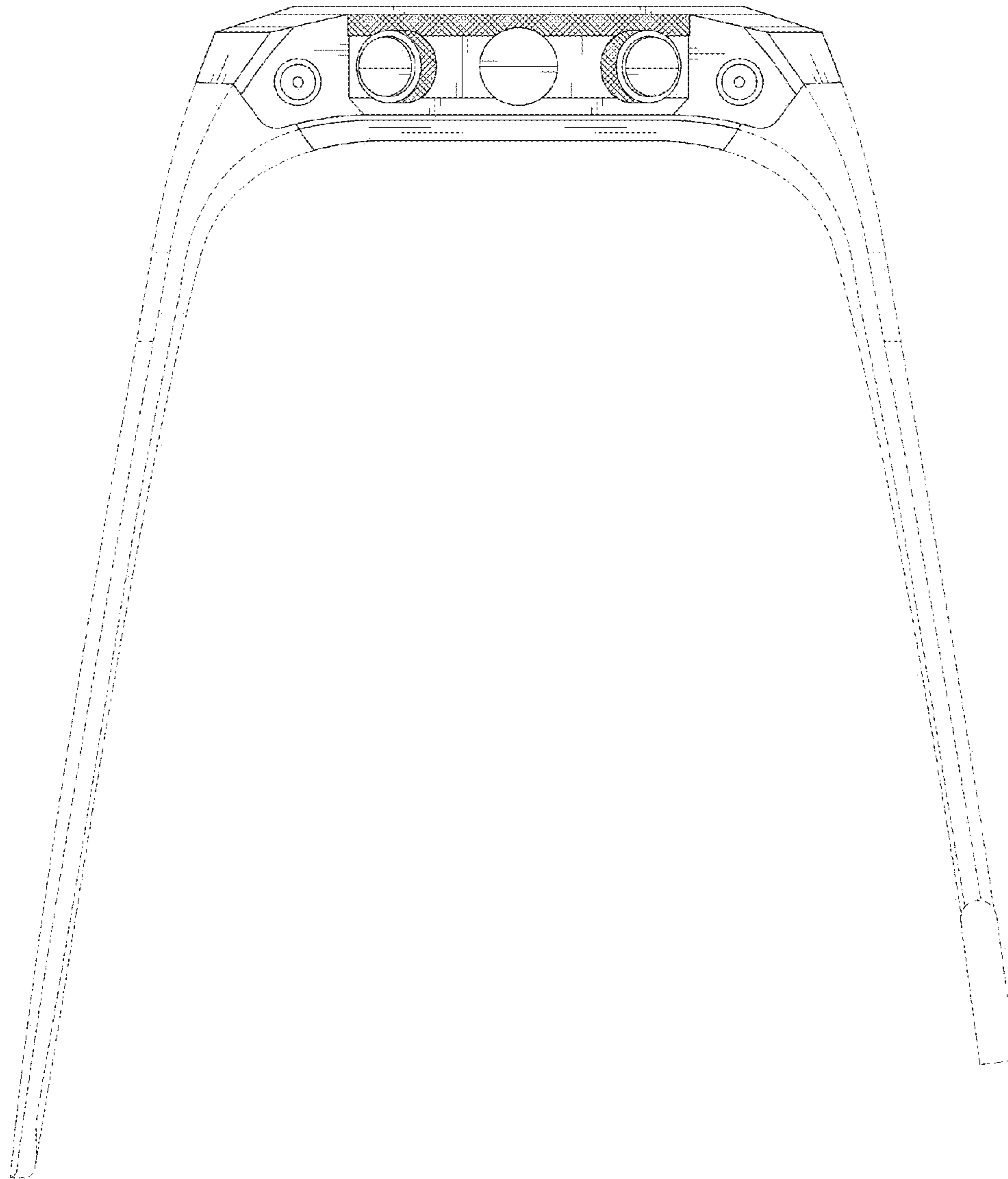




FIG. 6

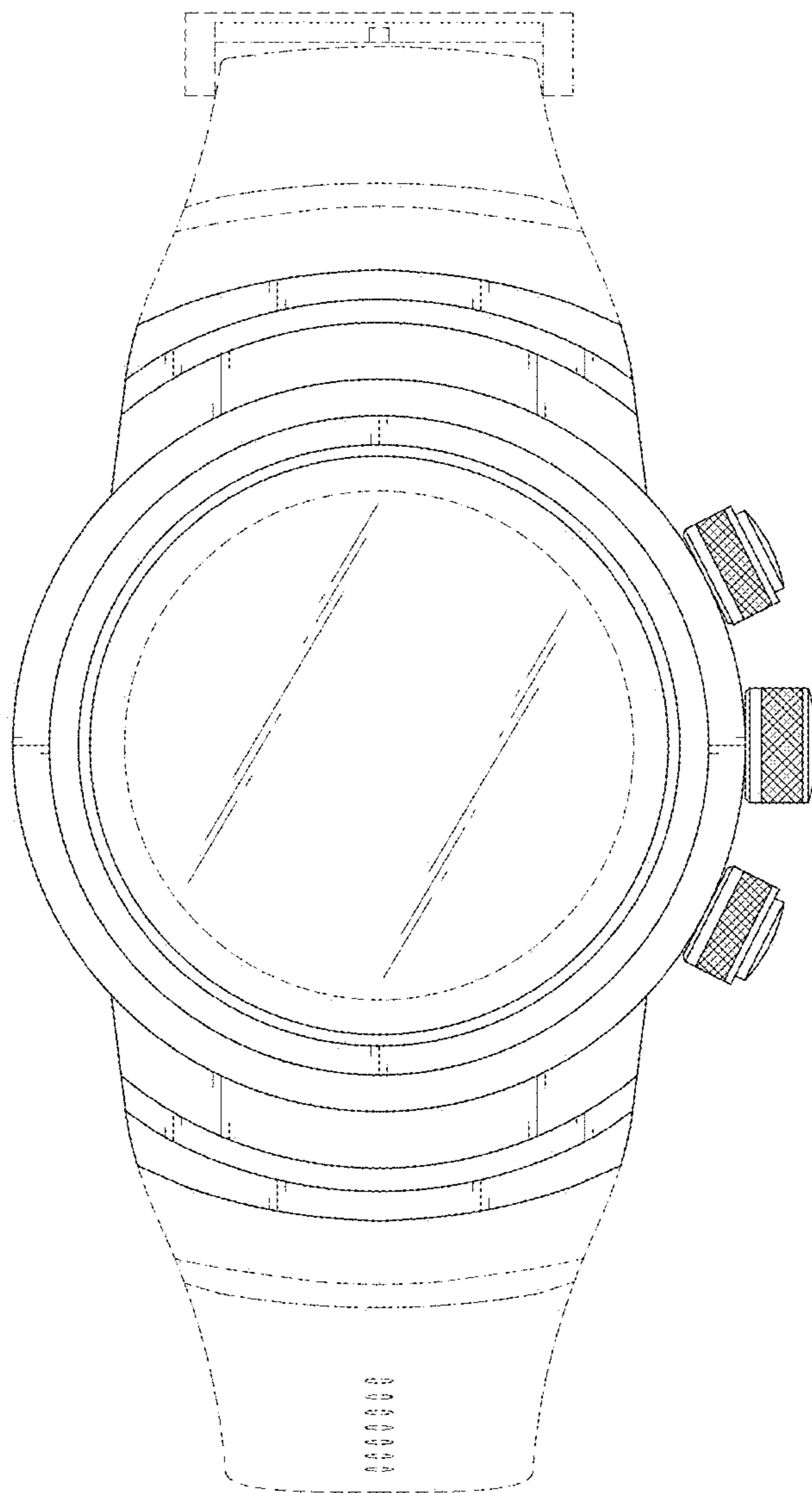




FIG. 7

