



US00D746809S

(12) **United States Design Patent**
Takada et al.

(10) **Patent No.:** **US D746,809 S**
(45) **Date of Patent:** **** Jan. 5, 2016**

(54) **ELECTRONIC COMPUTER**

(71) Applicant: **Kabushiki Kaisha Toshiba**, Minato-ku,
Tokyo (JP)

(72) Inventors: **Toshio Takada**, Tokyo (JP); **Yasushi Fukuoka**, Tokyo (JP); **Yuji Hirooka**, Tokyo (JP)

(73) Assignee: **Kabushiki Kaisha Toshiba**, Tokyo (JP)

(**) Term: **14 Years**

(21) Appl. No.: **29/511,873**

(22) Filed: **Dec. 15, 2014**

(30) **Foreign Application Priority Data**

Sep. 4, 2014 (JP) 2014-019504

(51) **LOC (10) Cl.** **14-02**

(52) **U.S. Cl.**
USPC **D14/327**

(58) **Field of Classification Search**

USPC D14/315-327, 341, 345; D18/1, 2, 7,
D18/11; 235/145 A, 145 R; 341/22, 23;
345/104, 156, 168, 169, 173;
361/679.08, 679.09, 679.11, 679.26,
361/679.27

CPC G06F 1/16; G06F 1/1616; G06F 1/1626;
G06F 1/1632; G06F 1/1613; G06F 1/1601;
G06F 1/1618; G06F 1/162; H01R 35/02;
H03M 11/00; G09B 13/04; H03K 17/94;
G09G 5/00; F16M 11/10

See application file for complete search history.

(56) **References Cited**

U.S. PATENT DOCUMENTS

5,319,582 A * 6/1994 Ma G06F 1/1626
345/169

6,530,784 B1 * 3/2003 Yim G06F 1/1616
361/679.29

7,471,506 B2 * 12/2008 Yin G06F 1/1616
248/917

D591,283 S 4/2009 Luminosu et al.

D602,484 S 10/2009 Cai

D614,180 S 4/2010 Gou

D621,398 S * 8/2010 Loi D14/327

D626,548 S * 11/2010 Kim D14/327

8,208,245 B2 * 6/2012 Staats G06F 1/162
361/679.02

D665,799 S 8/2012 Massaro et al.

(Continued)

FOREIGN PATENT DOCUMENTS

CN 302010284 7/2012

JP D1415614 6/2011

(Continued)

Primary Examiner — Freda S Nunn

(74) *Attorney, Agent, or Firm* — Banner & Witcoff, Ltd.

(57) **CLAIM**

The ornamental design for an electronic computer, as shown and described.

DESCRIPTION

FIG. 1 is a front perspective view of an electronic computer showing our new design;

FIG. 2 is a front elevational view thereof;

FIG. 3 is a rear elevational view thereof;

FIG. 4 is a left side elevational view thereof;

FIG. 5 is a right side elevational view thereof;

FIG. 6 is a top plan view thereof;

FIG. 7 is a bottom plan view thereof;

FIG. 8 is a top plan view thereof showing the computer in a closed position;

FIG. 9 is a perspective view thereof wherein the tablet is shown separated;

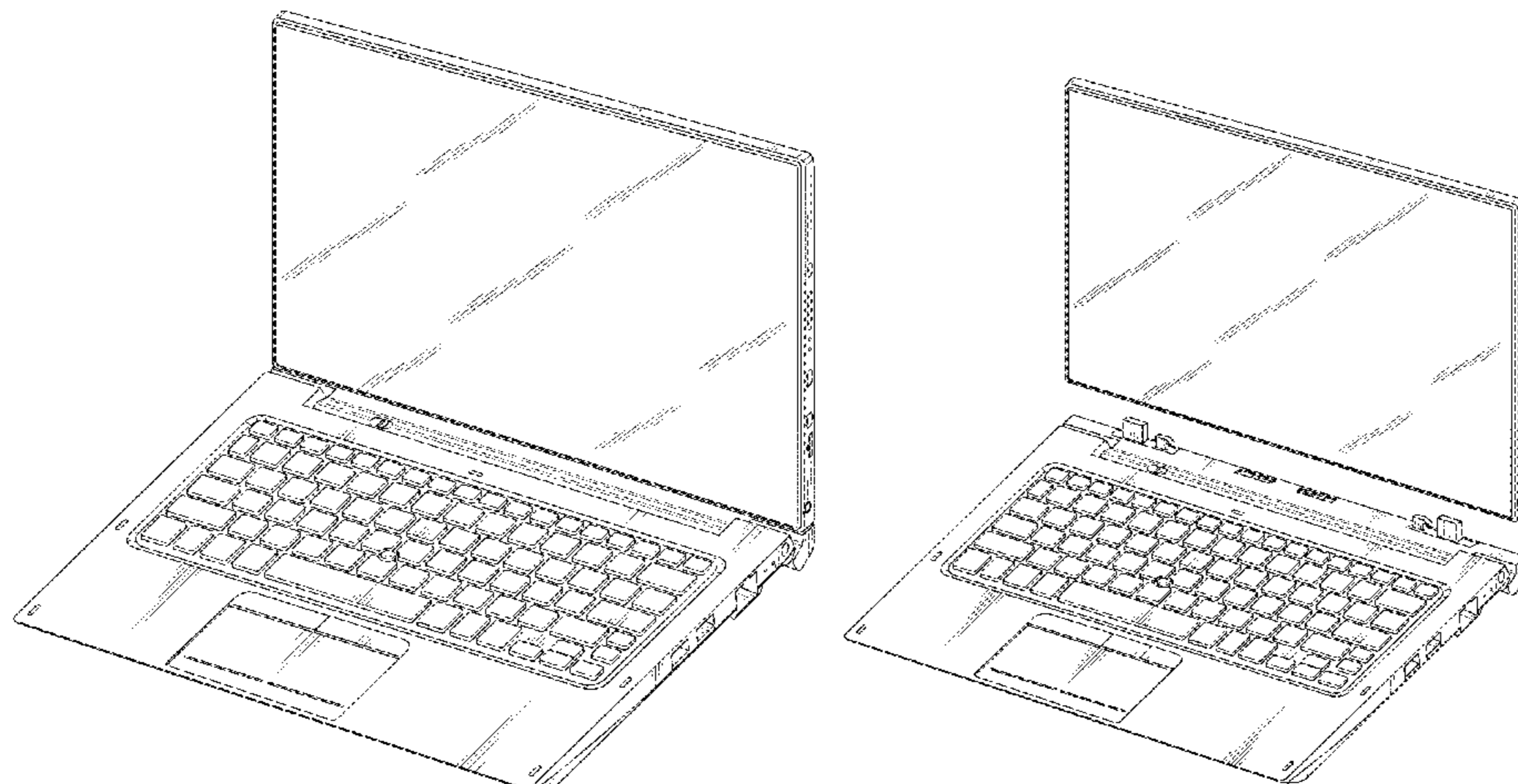
FIG. 10 is a top plan view thereof wherein the keyboard is shown separately;

FIG. 11 is a front view thereof wherein the tablet is shown separately;

FIG. 12 is a bottom plan view thereof; and,

FIG. 13 is a rear perspective view thereof.

1 Claim, 12 Drawing Sheets



US D746,809 S

Page 2

(56)

References Cited

U.S. PATENT DOCUMENTS

8,498,100 B1 * 7/2013 Whitt, III G06F 1/1618
361/679.17
D705,774 S * 5/2014 Hung D14/316
D706,259 S * 6/2014 Myung D14/315
2005/0111182 A1* 5/2005 Lin G06F 1/1632
361/679.41

2007/0091552 A1* 4/2007 Liang G06F 1/1616
361/679.29
2011/0162987 A1* 7/2011 Bekele G06F 1/1616
206/320

FOREIGN PATENT DOCUMENTS

JP D1453873 10/2012
JP D1474218 7/2013

* cited by examiner

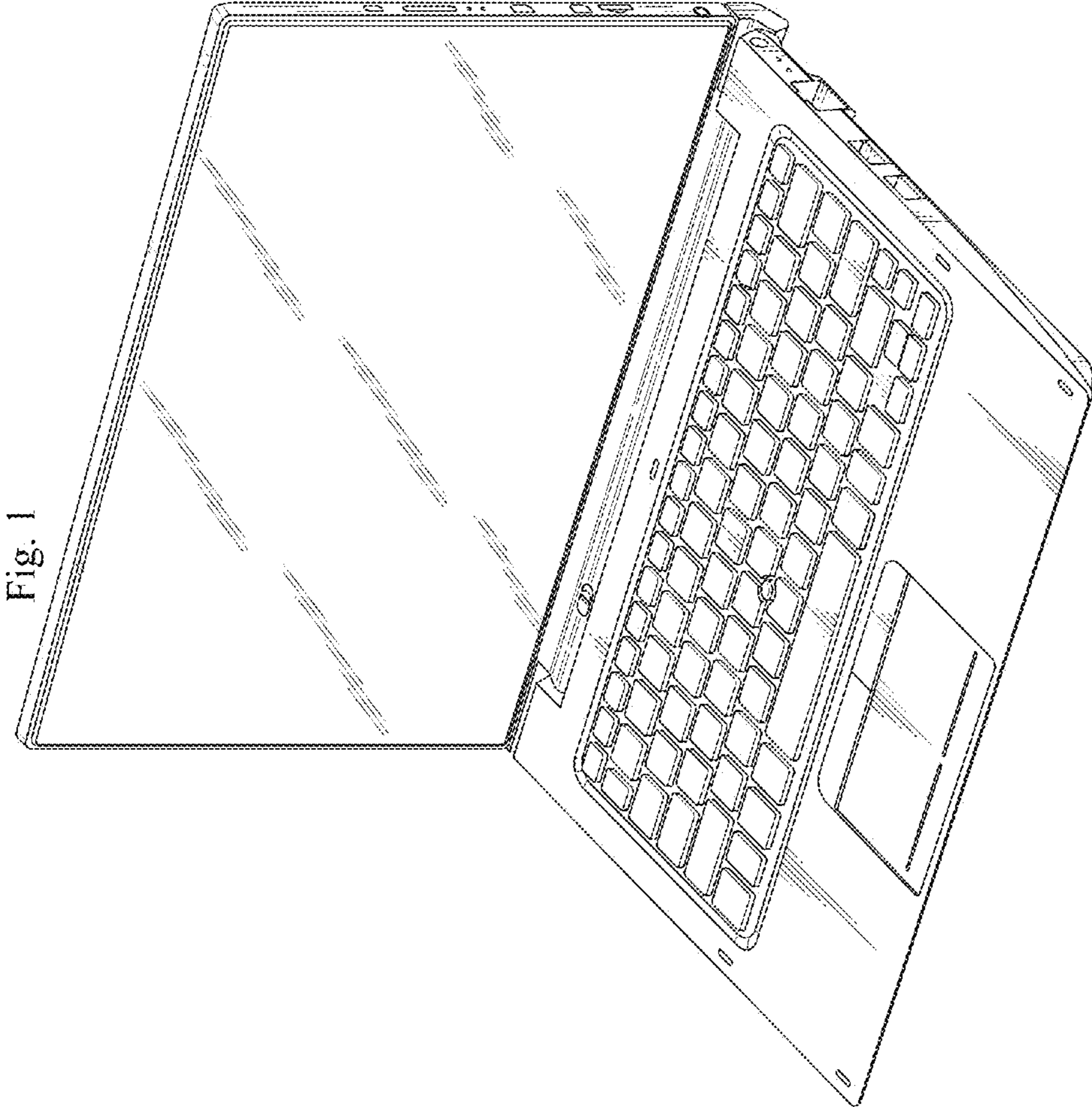


Fig. 1

Fig. 2

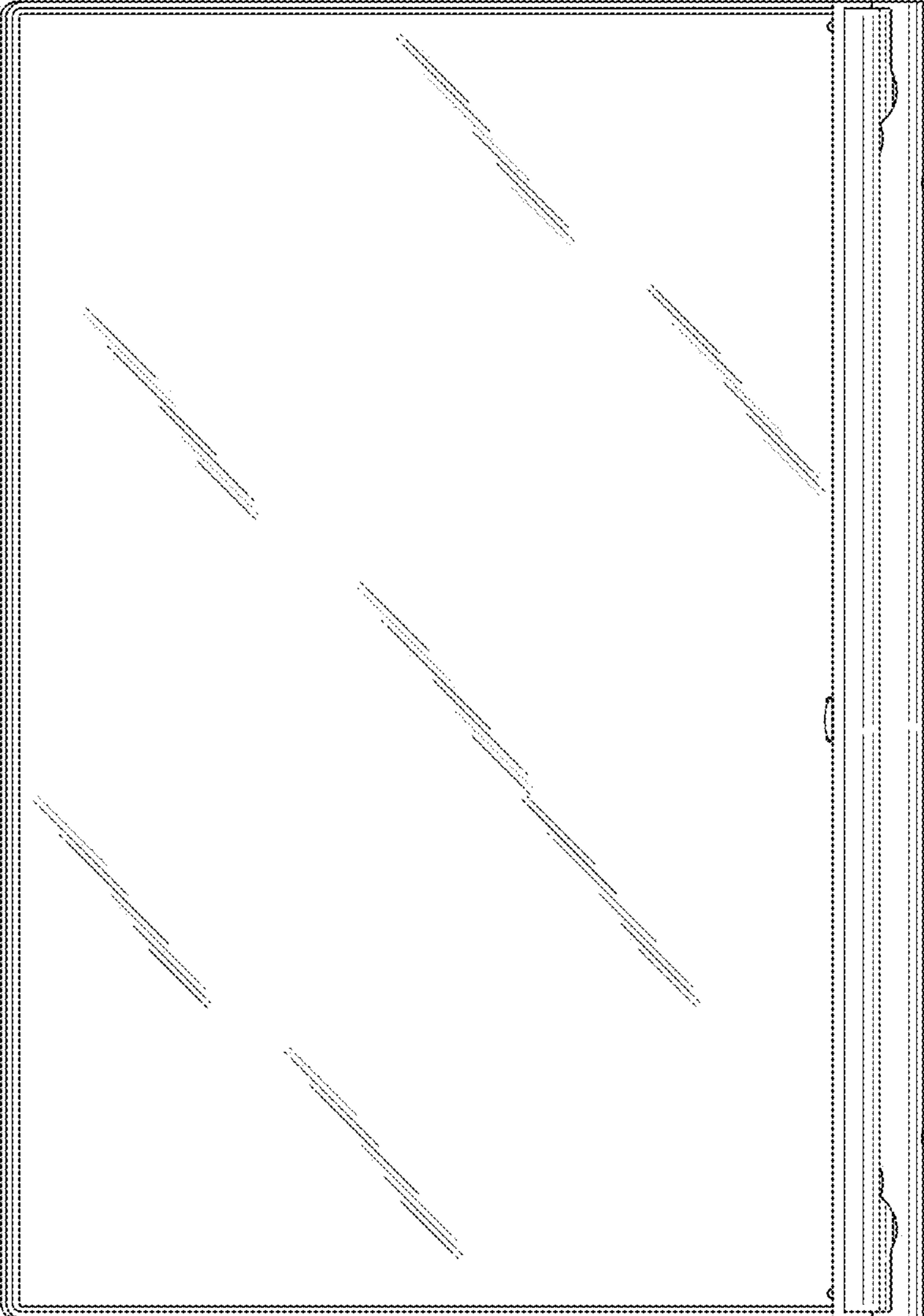


Fig. 3

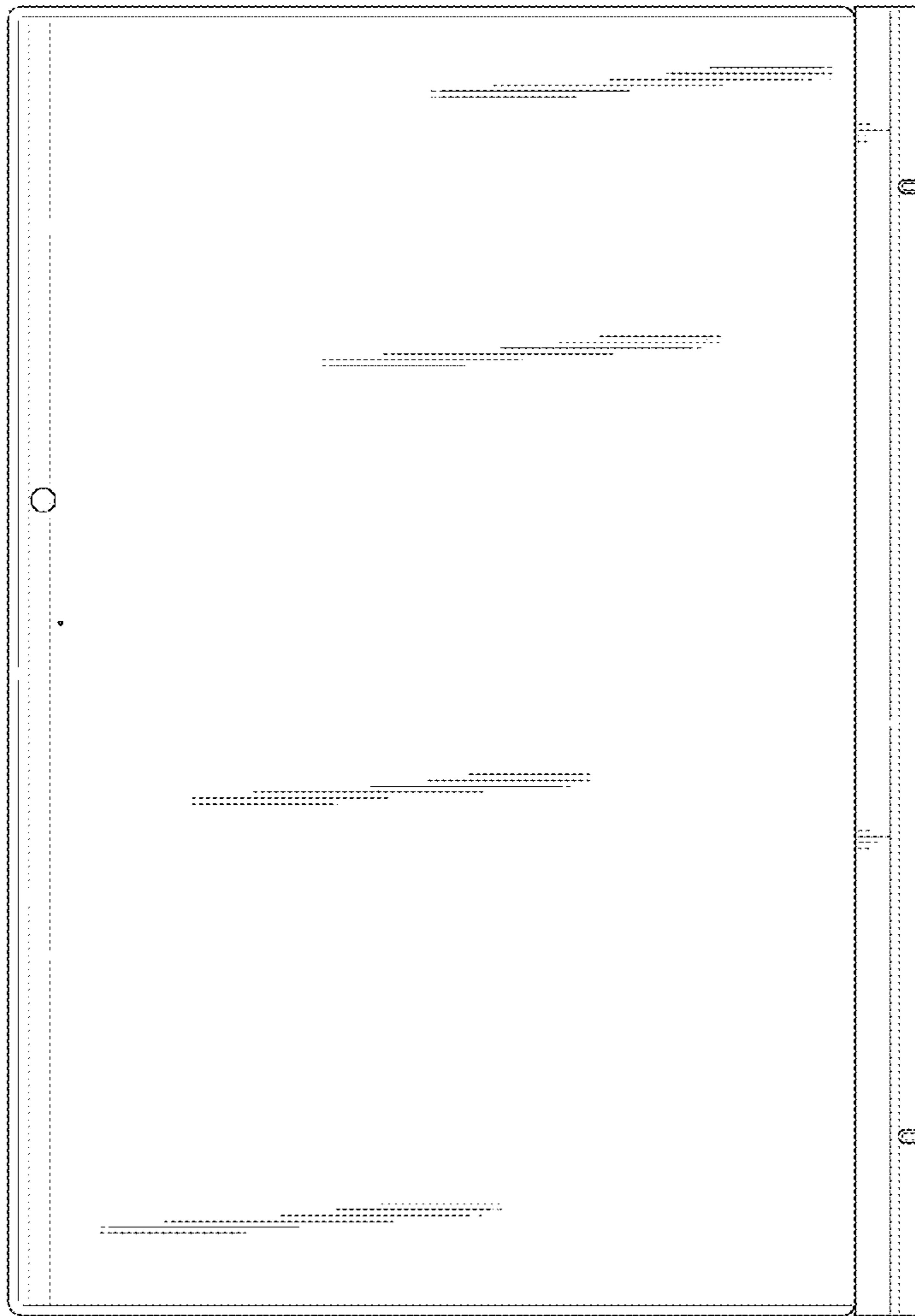


Fig. 4

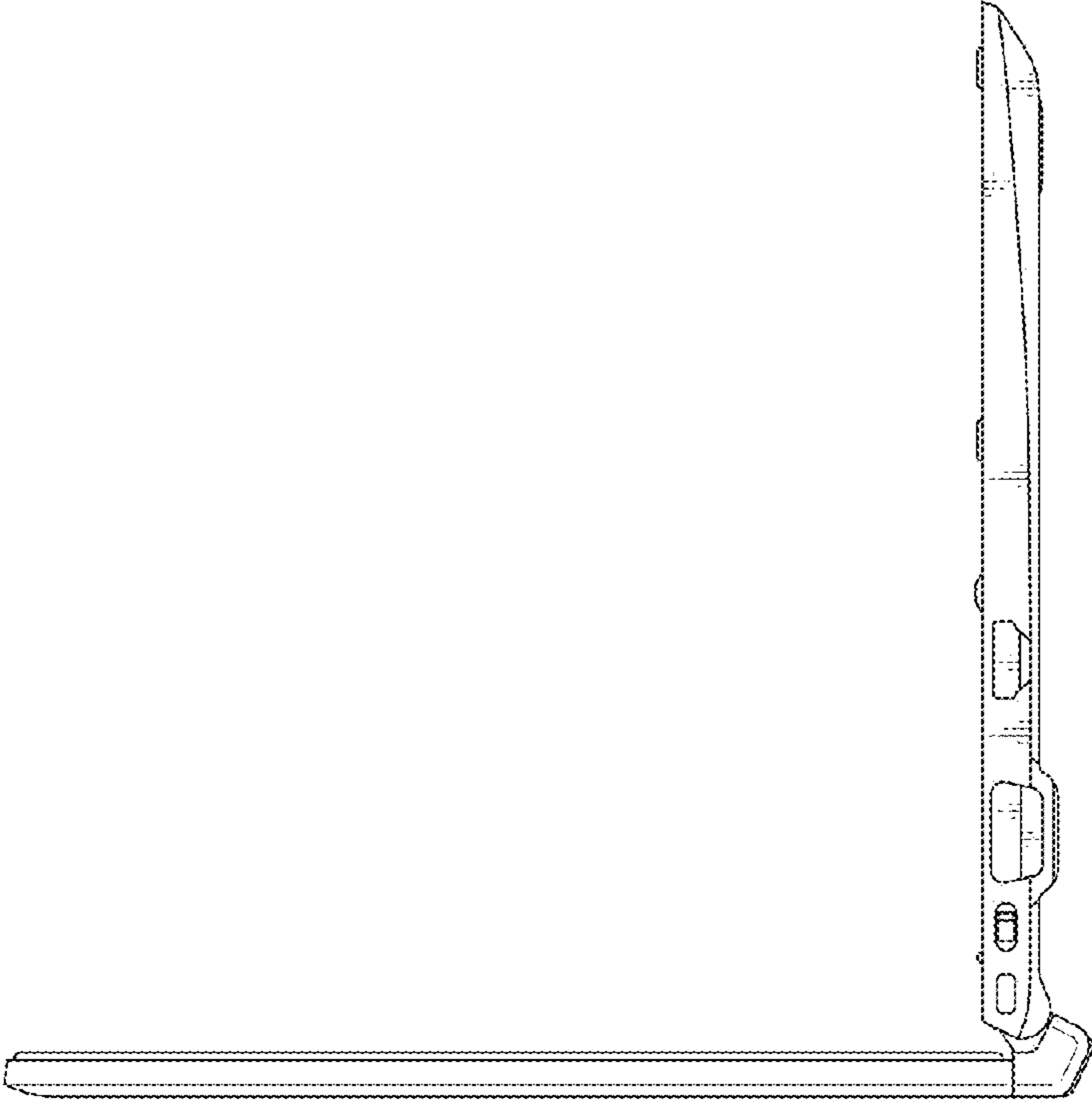


Fig. 5

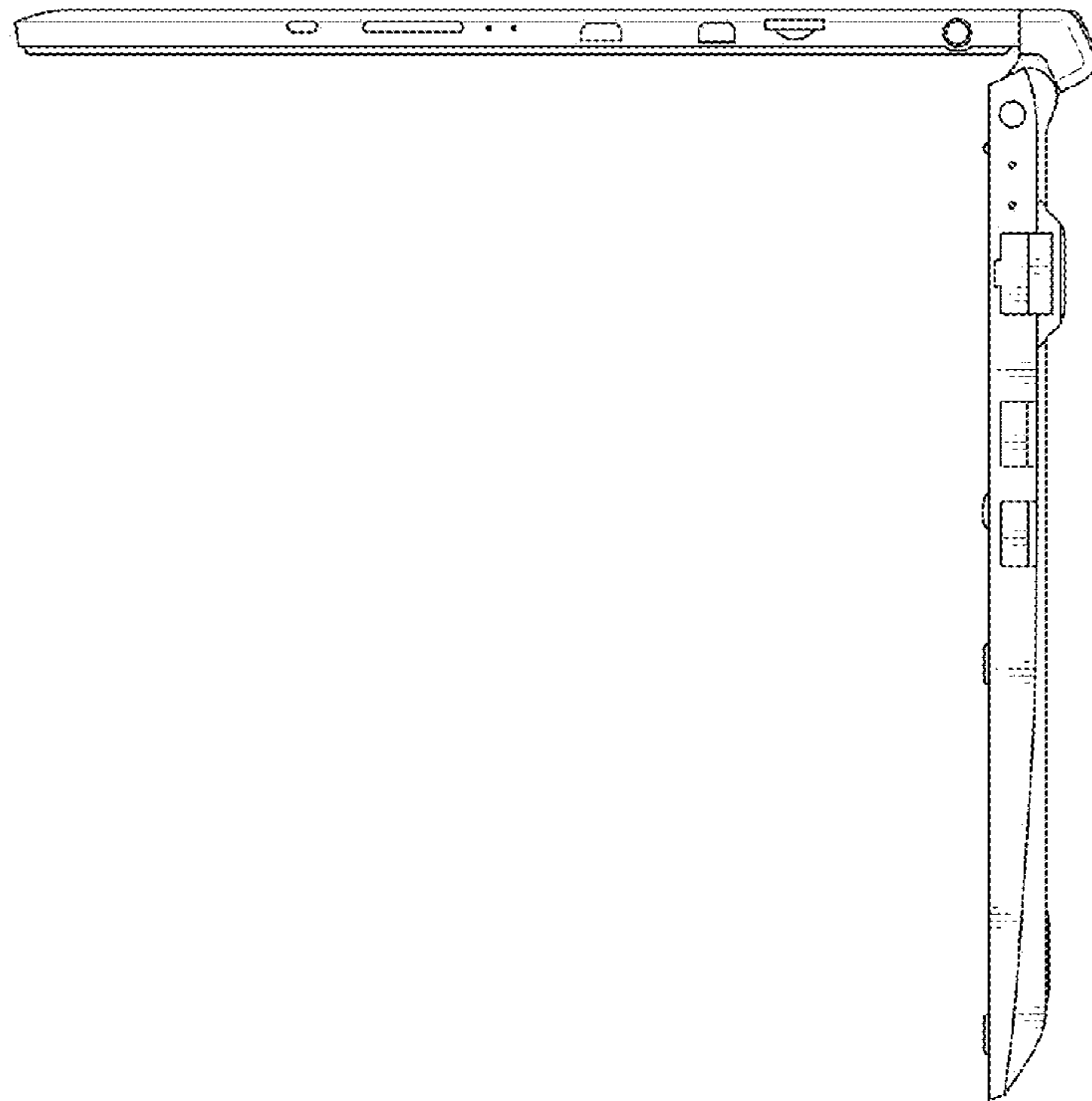


Fig. 6

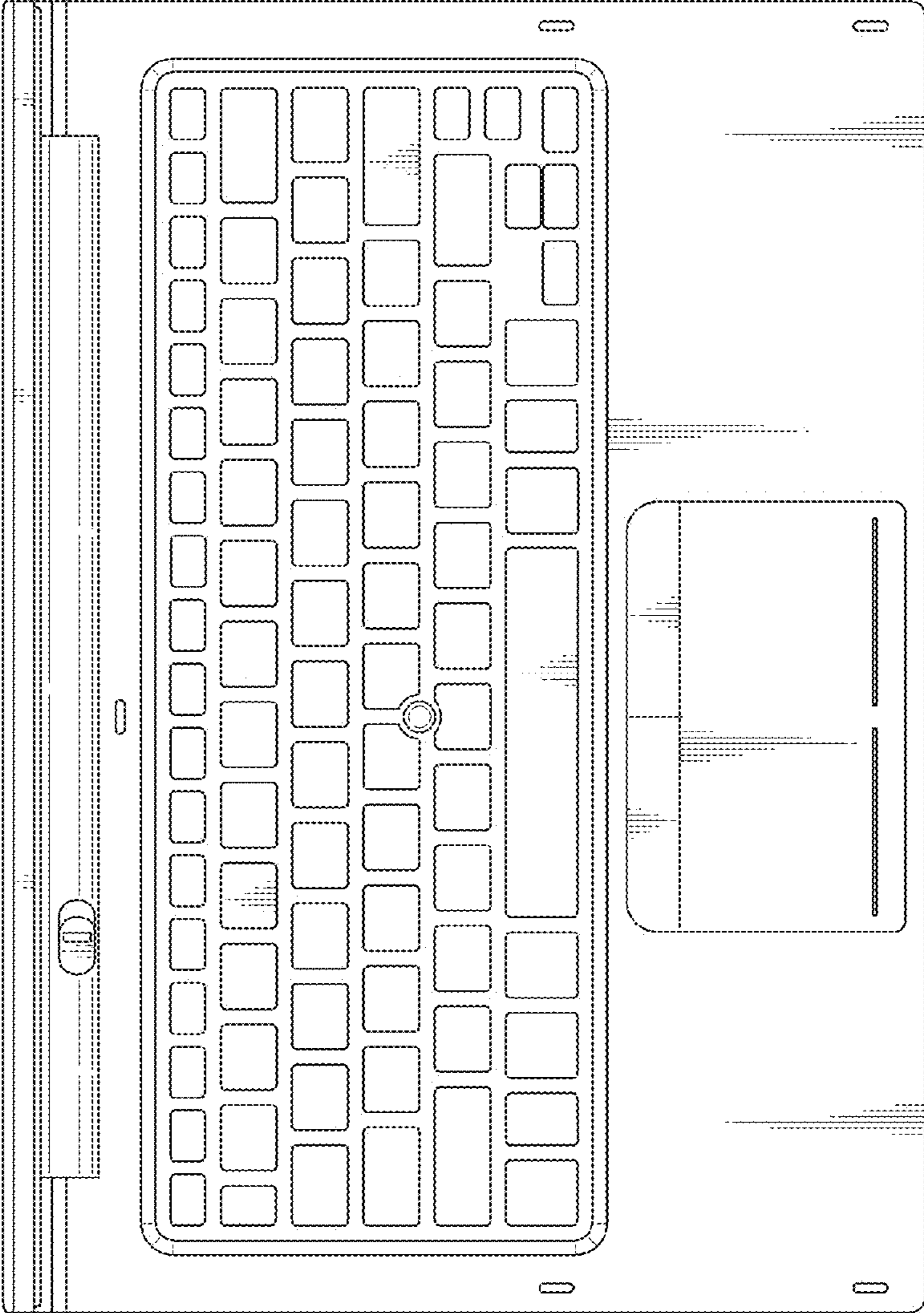


Fig. 7

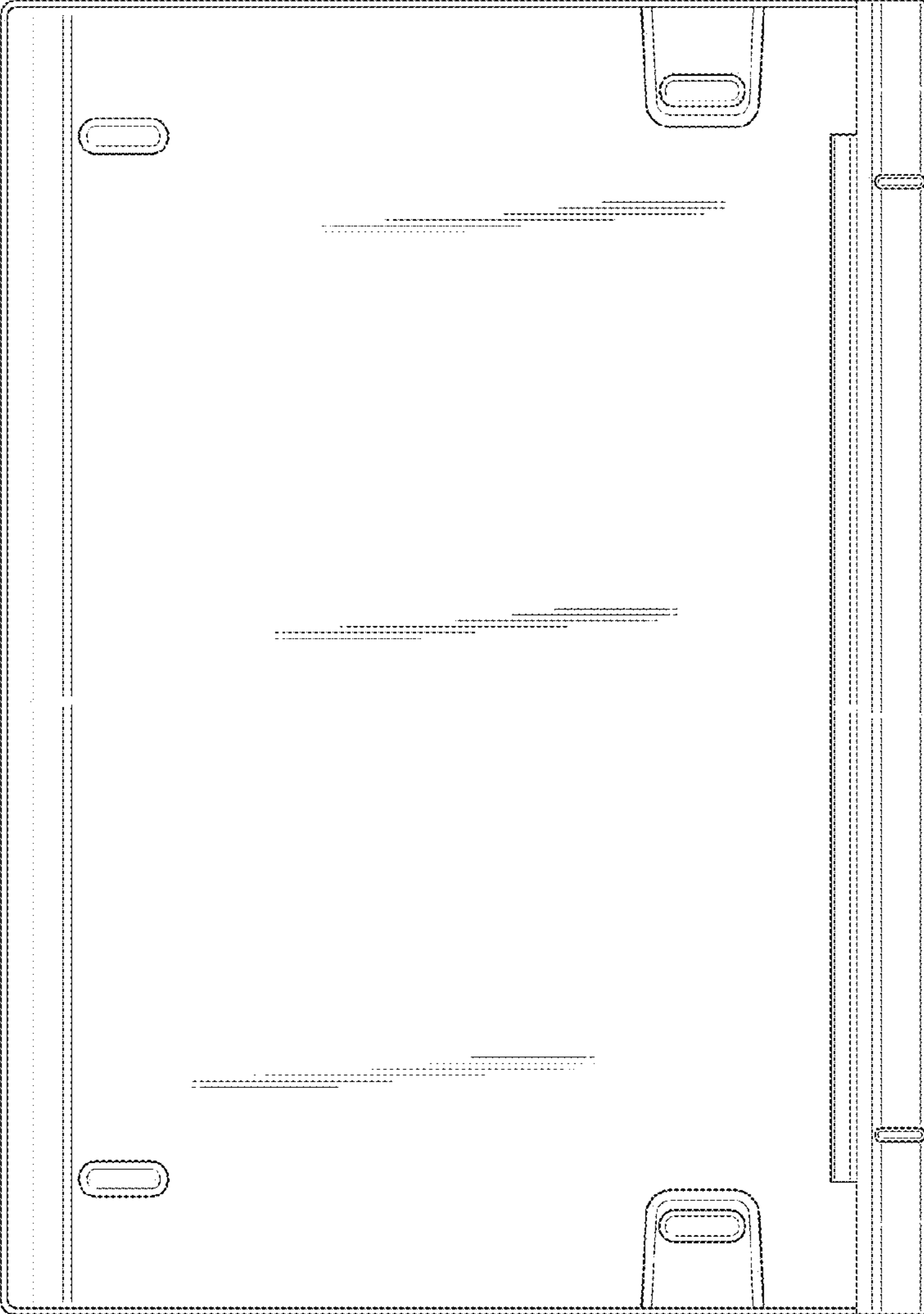


Fig. 8

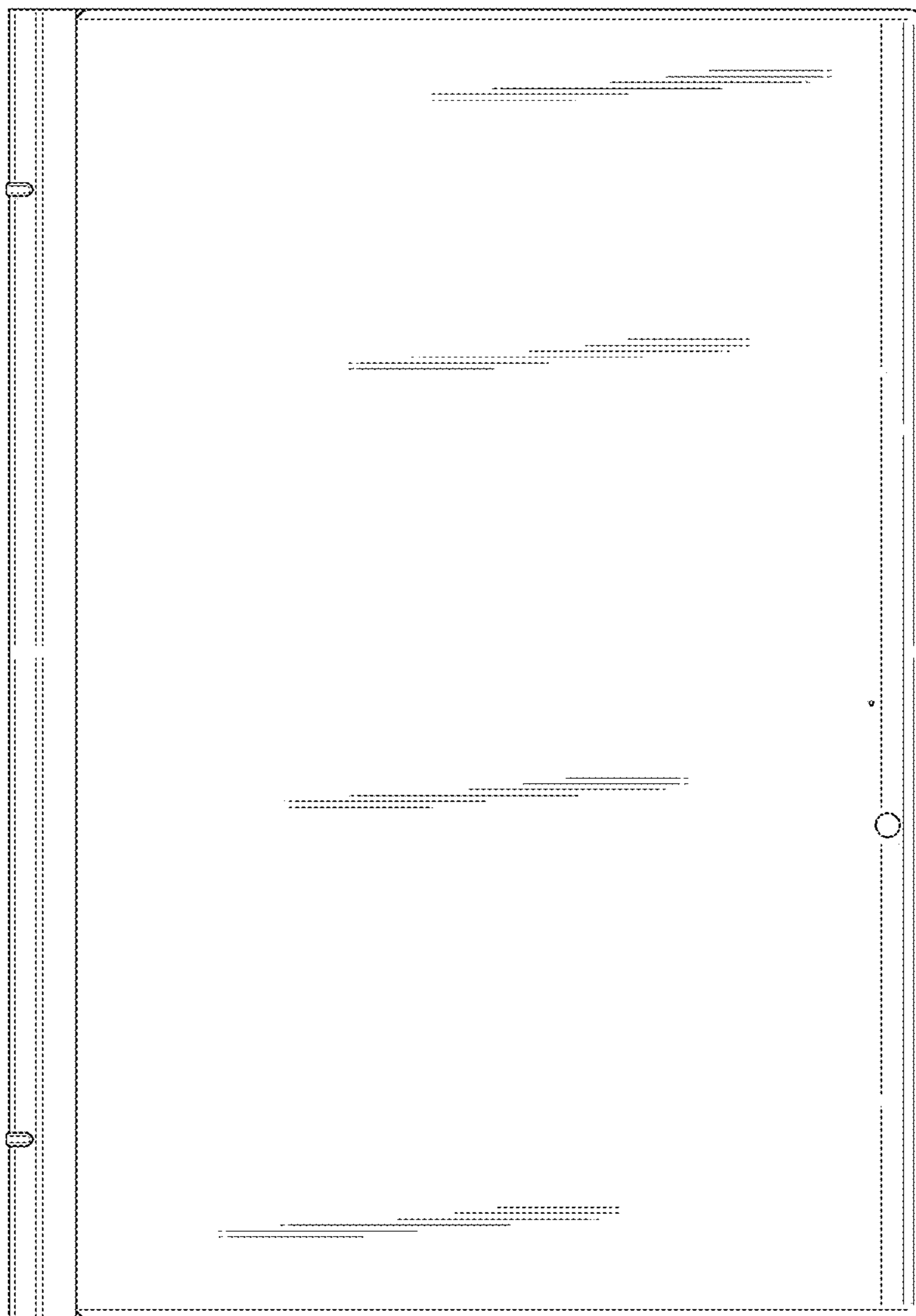


Fig. 9

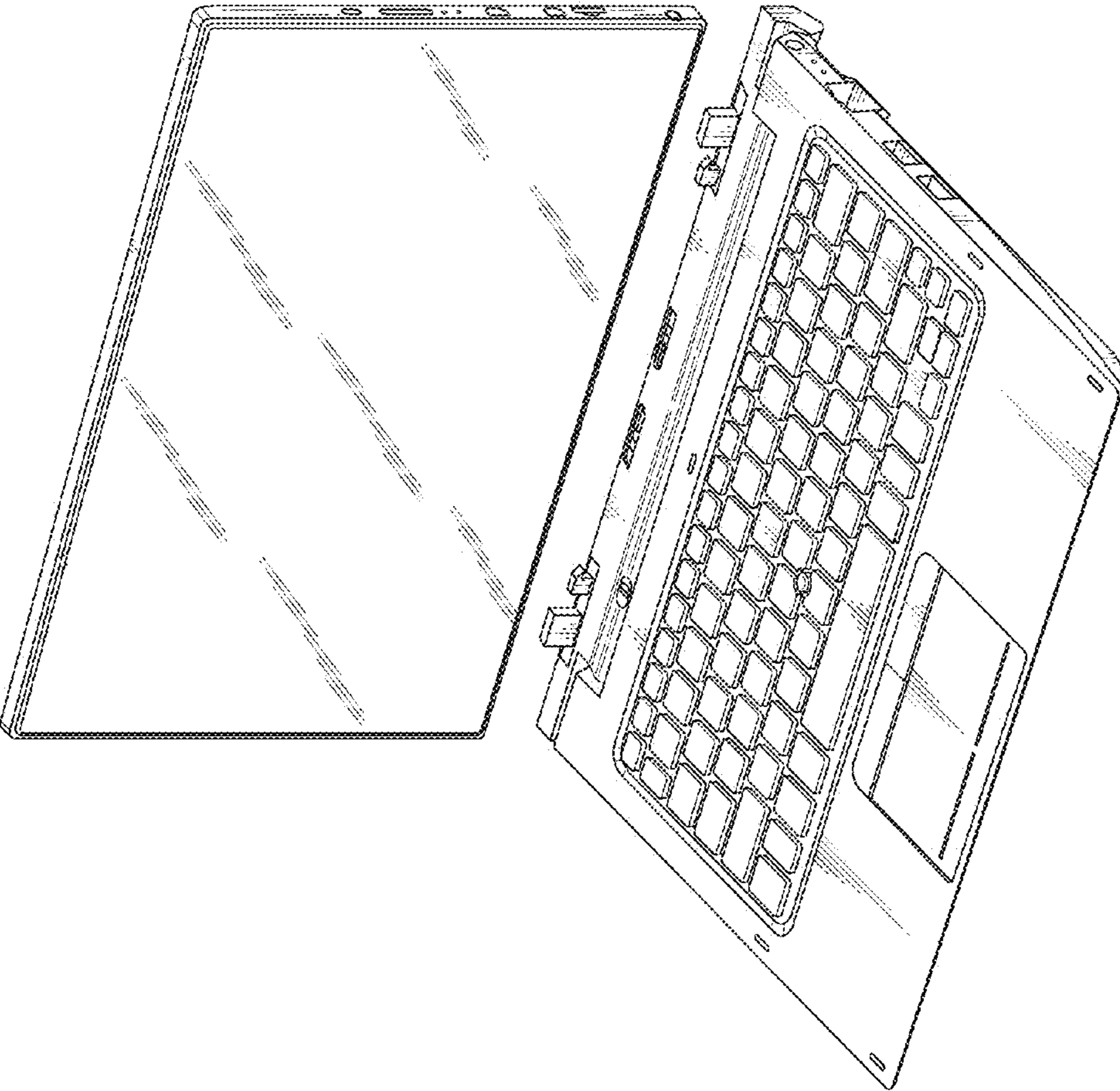


Fig. 10

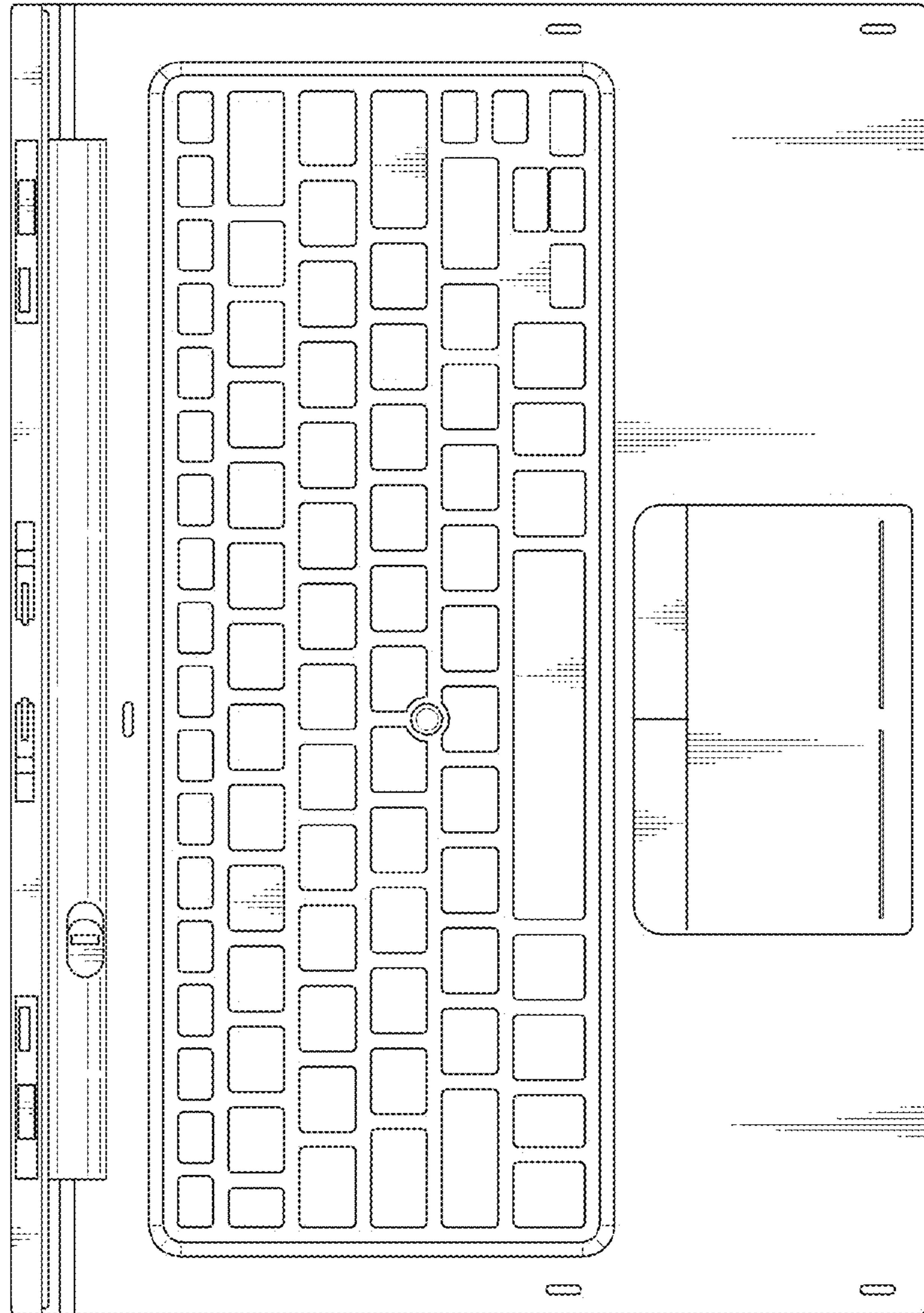


Fig. 11

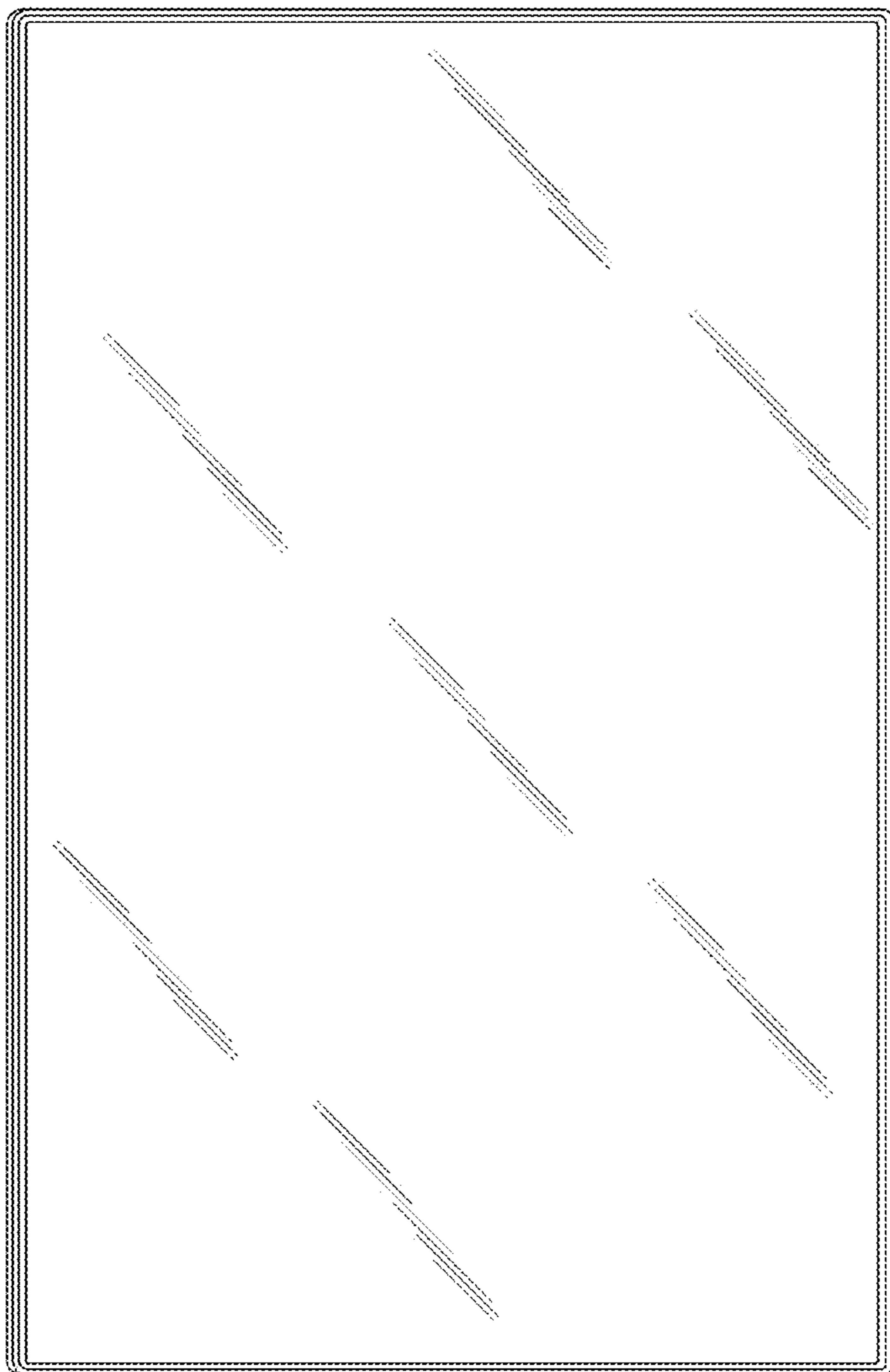


Fig. 12

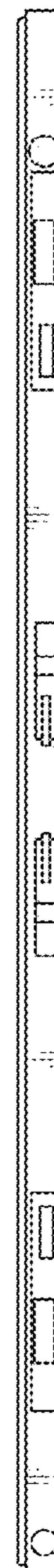


Fig. 13

