



US00D746807S

(12) **United States Design Patent**  
**McGarry et al.**

(10) **Patent No.:** **US D746,807 S**  
(45) **Date of Patent:** **\*\* Jan. 5, 2016**

(54) **SMARTPHONE HOLDER**

- (71) Applicant: **Braun GmbH**, Kronberg (DE)
- (72) Inventors: **Rory Frederick Wellington McGarry**, Glenealy (IE); **Fritz Schubert**, Bad Camberg (DE)
- (73) Assignee: **BRAUN GMBH**, Kronberg (DE)
- (\*\*) Term: **14 Years**
- (21) Appl. No.: **29/491,187**
- (22) Filed: **May 19, 2014**

(30) **Foreign Application Priority Data**

Dec. 19, 2013 (WO) ..... 782183601

(51) **LOC (10) Cl.** ..... **14-03**

(52) **U.S. Cl.**  
USPC ..... **D14/253**

(58) **Field of Classification Search**

USPC ..... D14/251-253, 432, 434, 447, 451, 452,  
D14/140, 142, 149, 217, 240; D21/313;  
D13/107, 108; D10/23; D8/71, 72, 74,  
D8/349, 373; D6/302, 303, 306, 310, 312;  
455/575.1; D19/75, 86, 88, 90, 91, 95;  
D16/242, 245; D3/218; D12/415  
CPC ..... H04M 1/00; H04M 1/04; H04M 1/06;  
H04M 1/11; F16M 1/04; F16M 11/041;  
B60R 11/02; B60R 11/0241; B60R 11/0258;  
B60R 11/0252

See application file for complete search history.

(56) **References Cited**

**U.S. PATENT DOCUMENTS**

D453,920 S \* 2/2002 Greene ..... D13/108  
D454,703 S \* 3/2002 Doeing ..... D6/310  
D474,736 S \* 5/2003 Sagawa ..... D13/108  
D477,920 S \* 8/2003 McCarty et al. .... D6/310  
D508,458 S \* 8/2005 Solland et al. .... D13/108  
7,099,467 B1 \* 8/2006 Rohrbach ..... 379/446

(Continued)

*Primary Examiner* — Susan Bennett Hattan  
*Assistant Examiner* — Marie Fast Horse  
(74) *Attorney, Agent, or Firm* — Vladimir Vitenberg

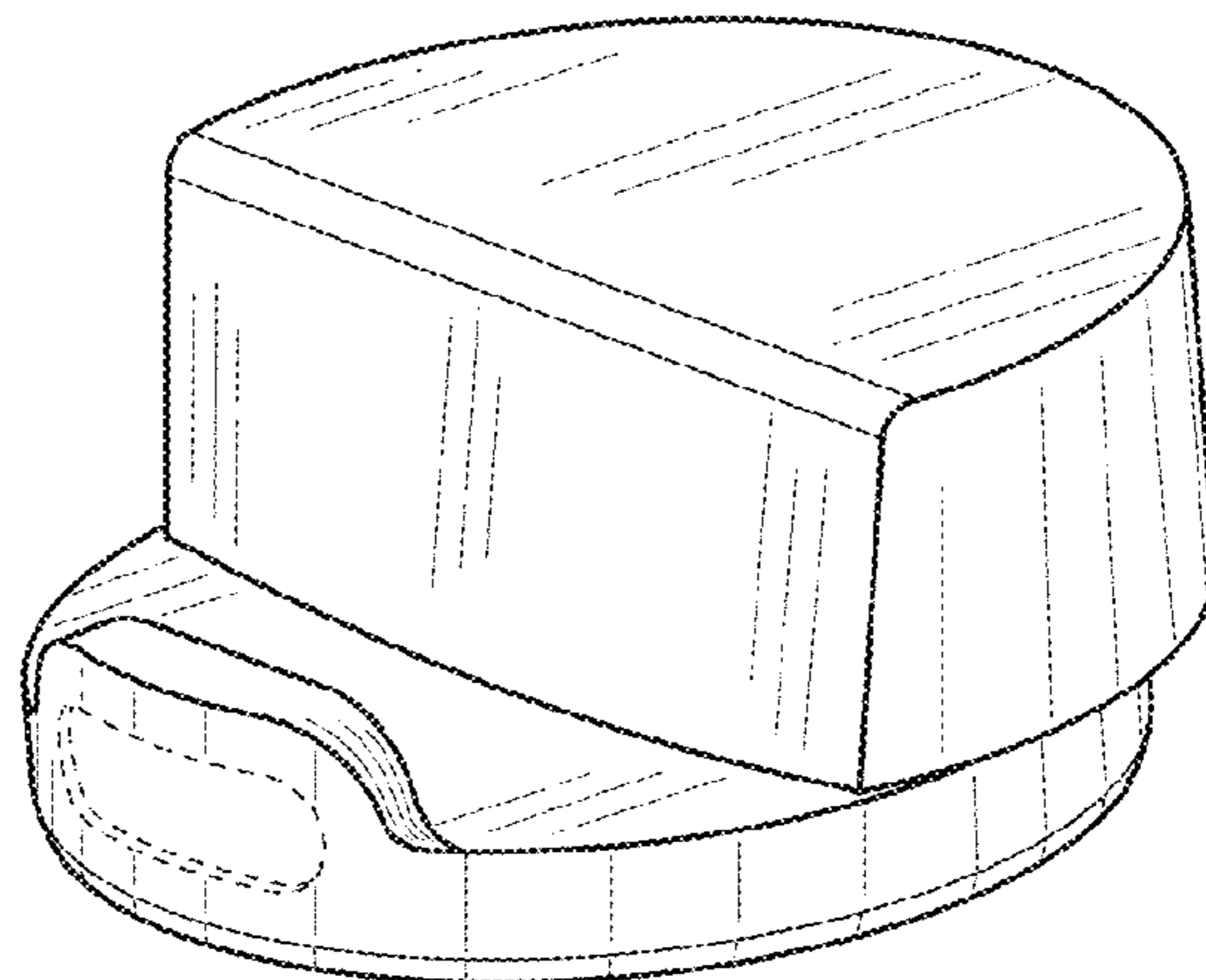
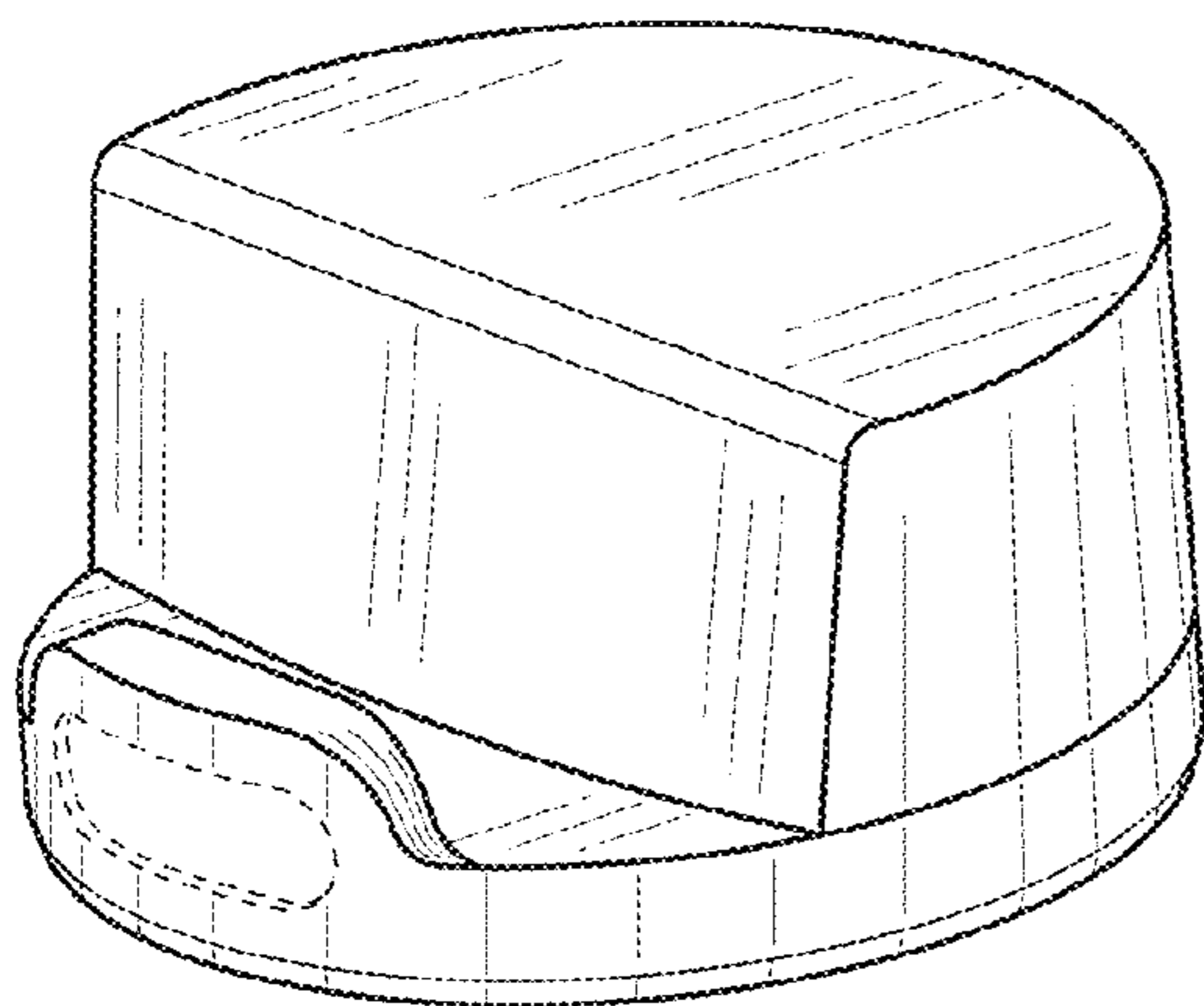
(57) **CLAIM**

The ornamental design for smartphone holder, as shown and described.

**DESCRIPTION**

FIG. 1 is a perspective view of one embodiment of a smartphone holder showing our new design;  
FIG. 2 is a front view of the smartphone holder as shown in FIG. 1;  
FIG. 3 is a right side view of the smartphone holder as shown in FIG. 1;  
FIG. 4 is a rear view of the smartphone holder as shown in FIG. 1;  
FIG. 5 is a left side view of the smartphone holder as shown in FIG. 1;  
FIG. 6 is a top plan view of the smartphone holder as shown in FIG. 1;  
FIG. 7 is a bottom view of the smartphone holder as shown in FIG. 1;  
FIG. 8 is a perspective view of the smartphone holder seen in FIG. 1, shown in an alternate position for use.  
FIG. 9 is a front view of the smartphone holder as shown in FIG. 8;  
FIG. 10 is a right side view of the smartphone holder as shown in FIG. 8;  
FIG. 11 is a rear view of the smartphone holder as shown in FIG. 8;  
FIG. 12 is a left side view of the smartphone holder as shown in FIG. 8;  
FIG. 13 is a top plan view of the smartphone holder as shown in FIG. 8; and,  
FIG. 14 is a bottom view of the smartphone holder as shown in FIG. 8.  
The broken lines shown in the drawings depict parts of the smartphone holder and form no part of the claimed design.

**1 Claim, 2 Drawing Sheets**



(56)

**References Cited**

U.S. PATENT DOCUMENTS

|              |         |                  |         |                   |         |                       |            |
|--------------|---------|------------------|---------|-------------------|---------|-----------------------|------------|
| D553,122 S * | 10/2007 | Solland .....    | D14/217 | D667,403 S *      | 9/2012  | Maus .....            | D14/385    |
| D558,193 S * | 12/2007 | Ju .....         | D14/253 | D672,350 S *      | 12/2012 | Gioscia et al. ....   | D14/434    |
| D585,898 S * | 2/2009  | Skurdal .....    | D14/434 | D694,228 S *      | 11/2013 | Richter .....         | D14/253    |
| D596,561 S * | 7/2009  | Chon et al. .... | D13/108 | D706,784 S *      | 6/2014  | Mills .....           | D14/447    |
| D600,680 S * | 9/2009  | Mead et al. .... | D14/217 | D709,065 S *      | 7/2014  | Guyot .....           | D14/253    |
| D628,203 S * | 11/2010 | Noble .....      | D14/447 | D711,366 S *      | 8/2014  | Lui et al. ....       | D14/253    |
| D629,806 S * | 12/2010 | Ho et al. ....   | D14/434 | D719,146 S *      | 12/2014 | Herbst et al. ....    | D14/253    |
| D654,921 S * | 2/2012  | Malsan .....     | D14/447 | D721,033 S *      | 1/2015  | Fujioka .....         | D13/108    |
| D659,696 S * | 5/2012  | Lanza .....      | D14/447 | D723,021 S *      | 2/2015  | Guyot .....           | D14/253    |
| D662,505 S * | 6/2012  | Mori .....       | D14/447 | D730,888 S *      | 6/2015  | Malsan .....          | D14/253    |
| D666,204 S * | 8/2012  | Han .....        | D14/447 | 2009/0075693 A1 * | 3/2009  | So et al. ....        | 455/556.1  |
|              |         |                  |         | 2012/0001048 A1 * | 1/2012  | Takahashi et al. .... | 248/346.03 |
|              |         |                  |         | 2014/0135062 A1 * | 5/2014  | Bevirt et al. ....    | 455/556.1  |

\* cited by examiner

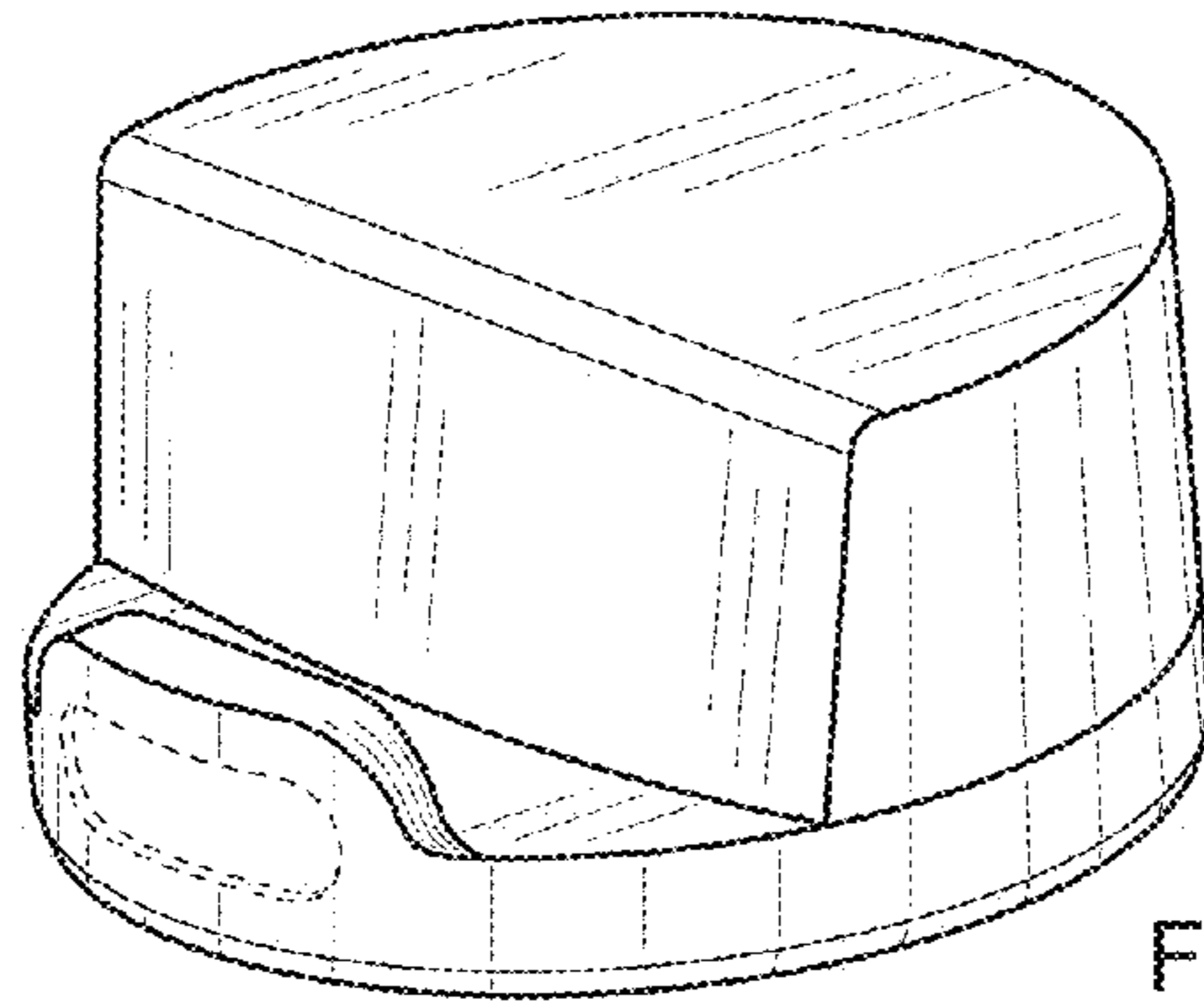


Fig. 1

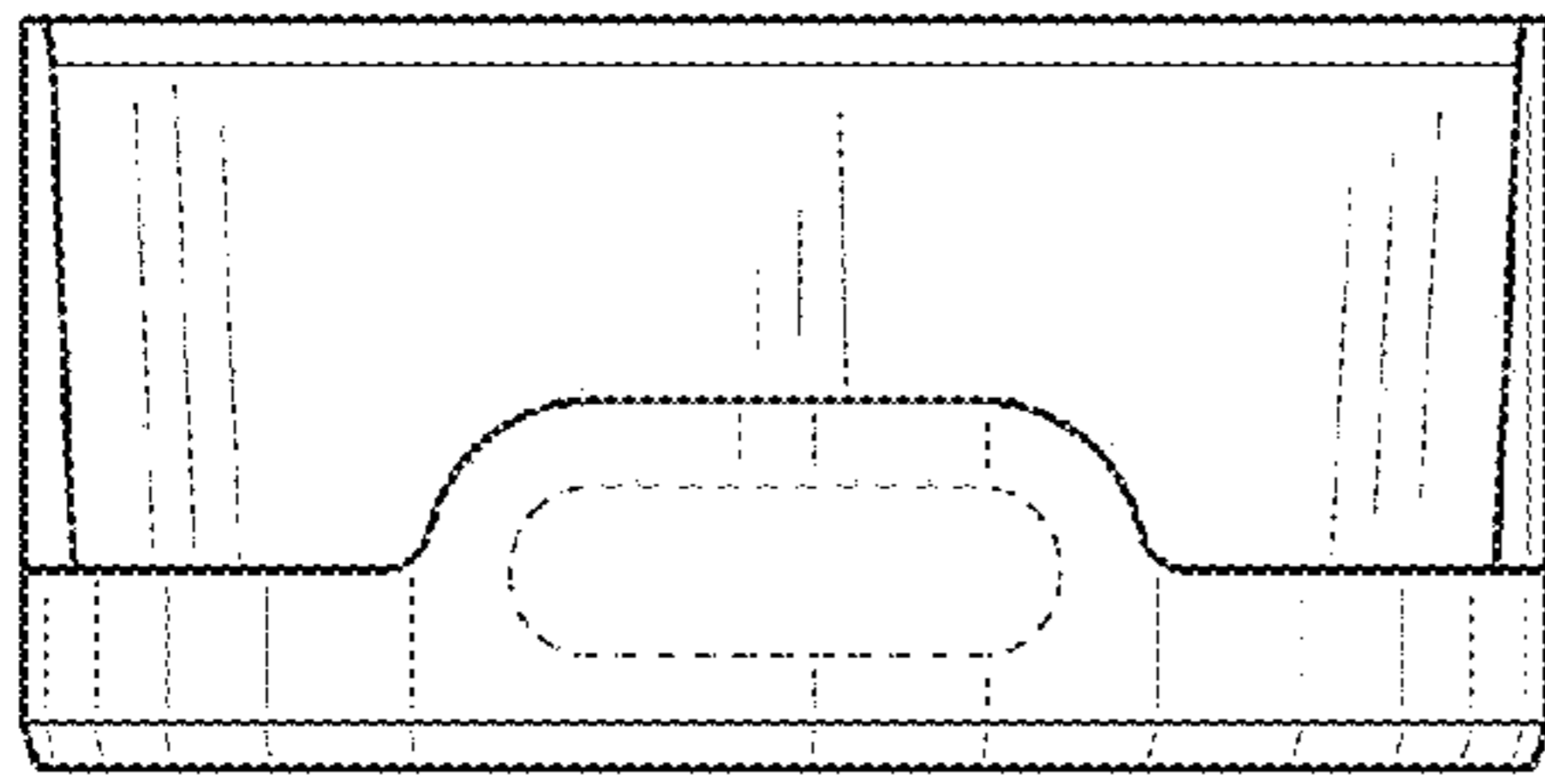


Fig. 2

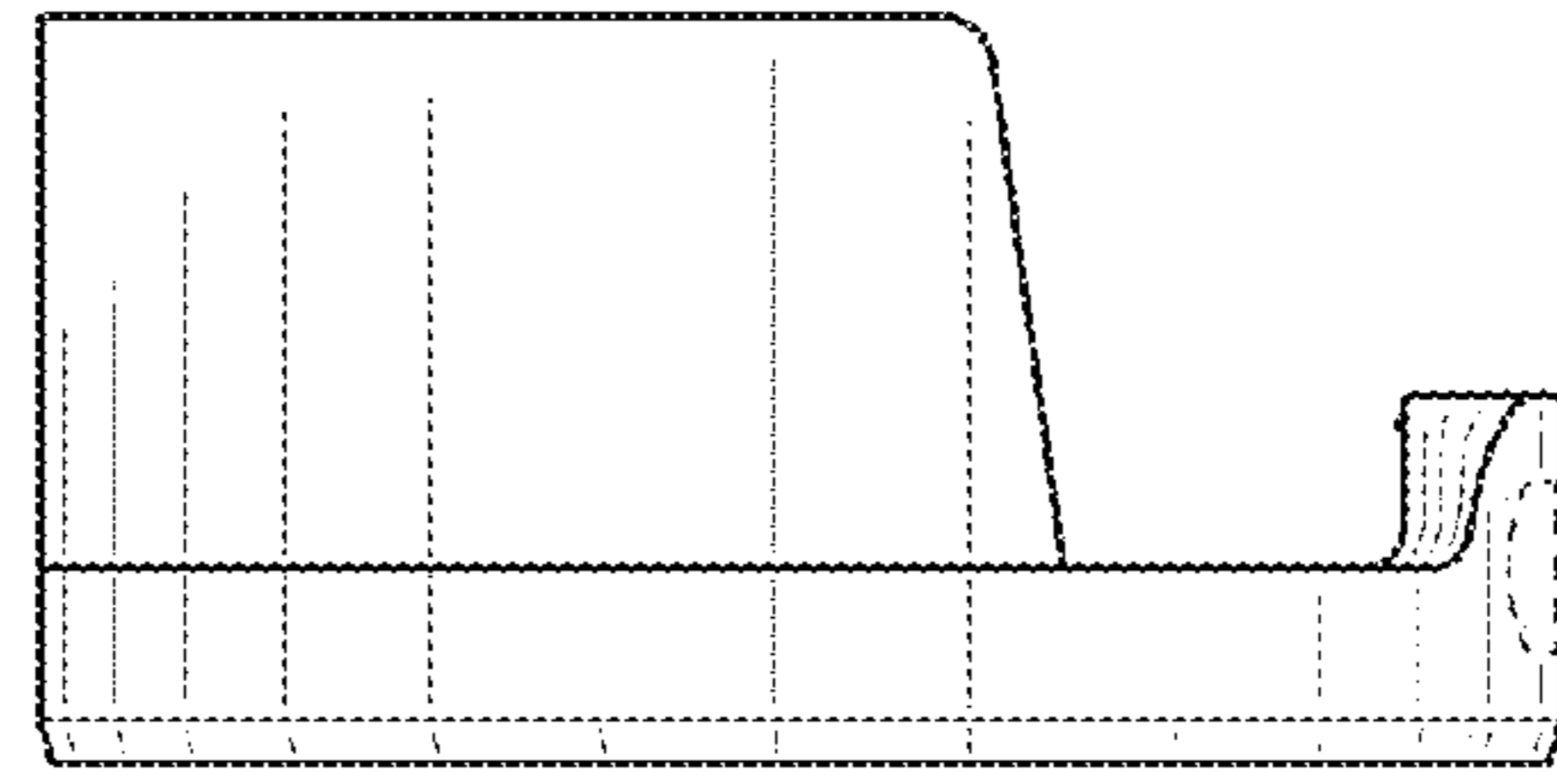


Fig. 3

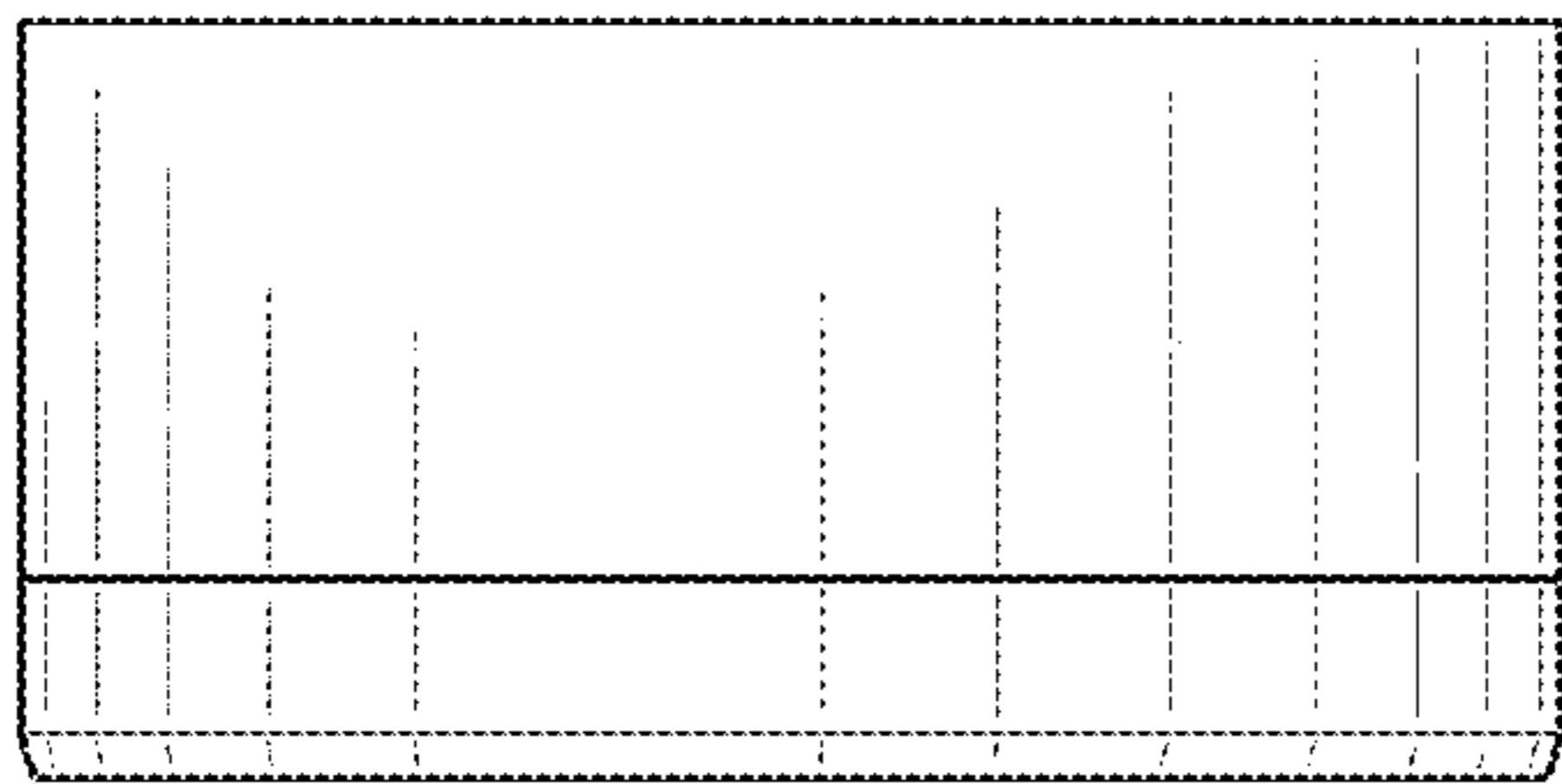


Fig. 4

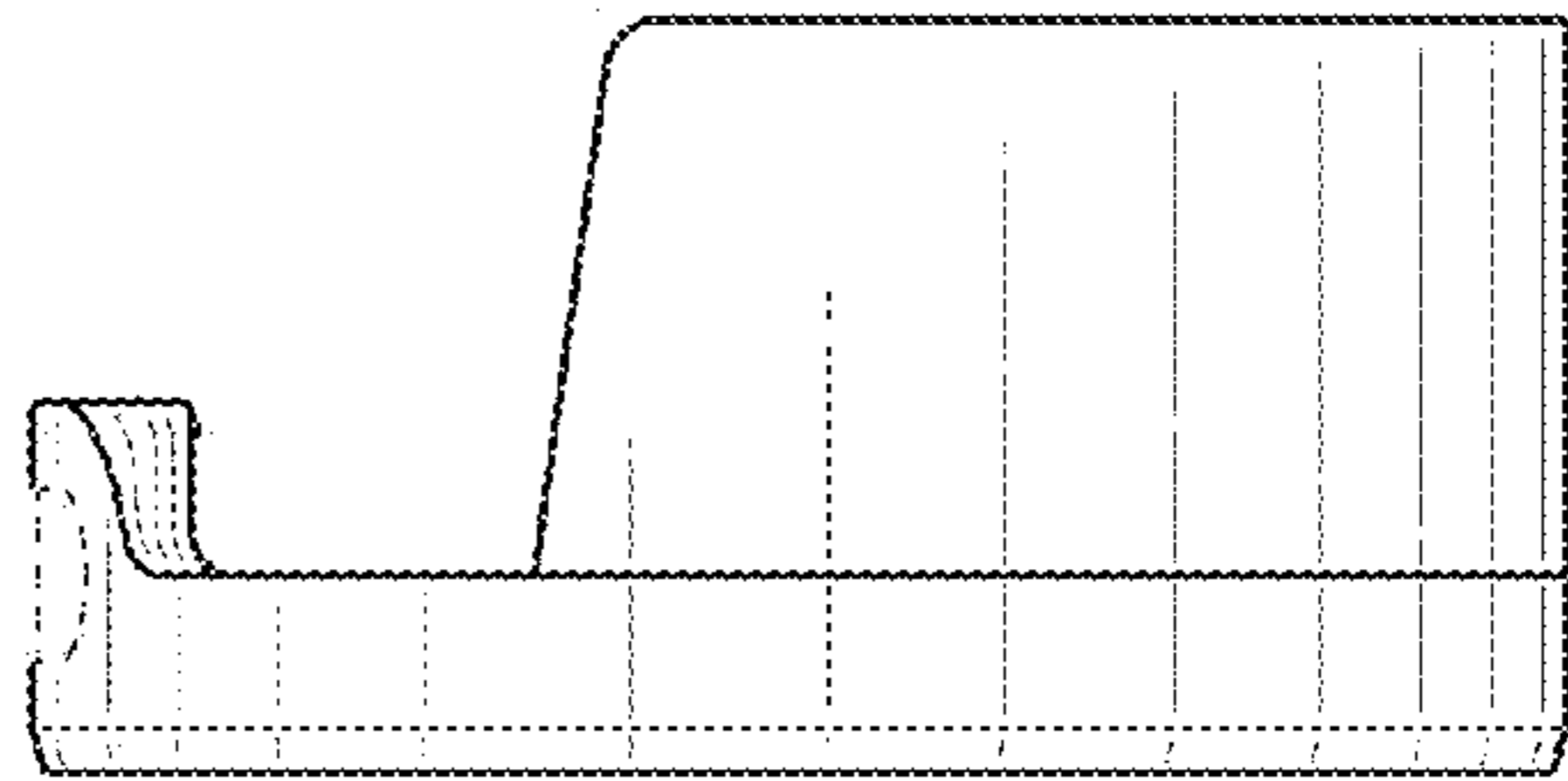


Fig. 5

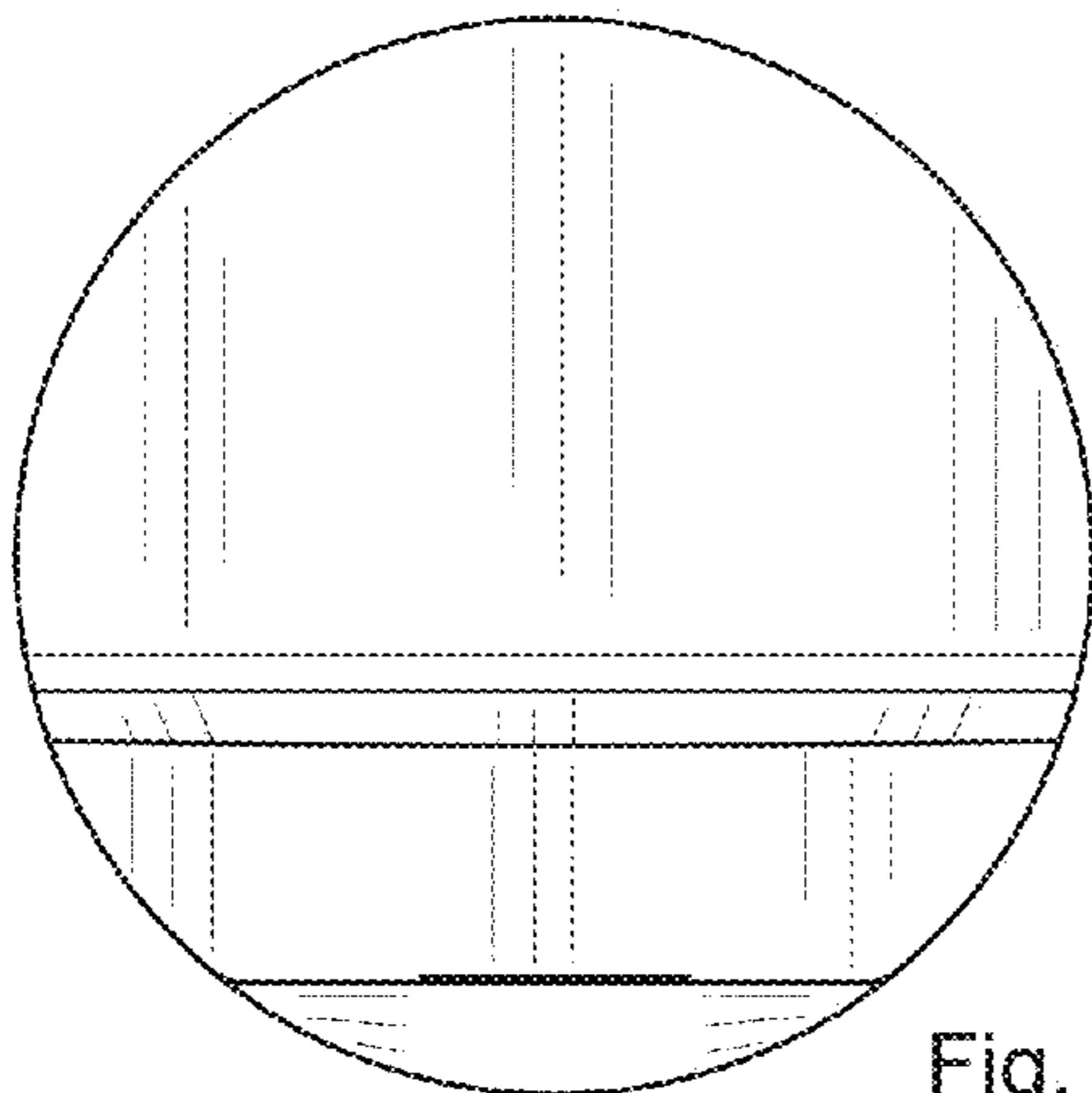


Fig. 6

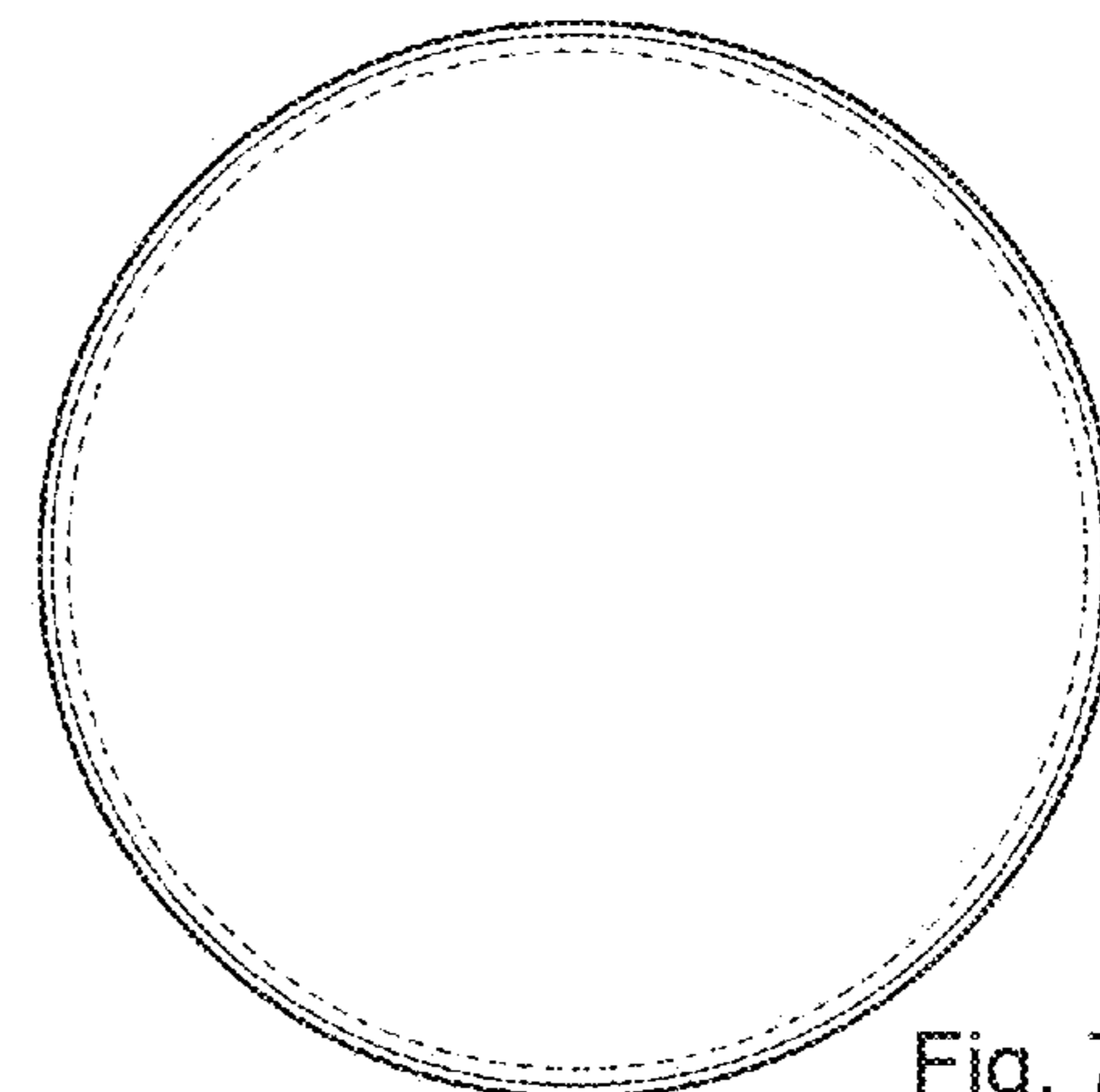


Fig. 7

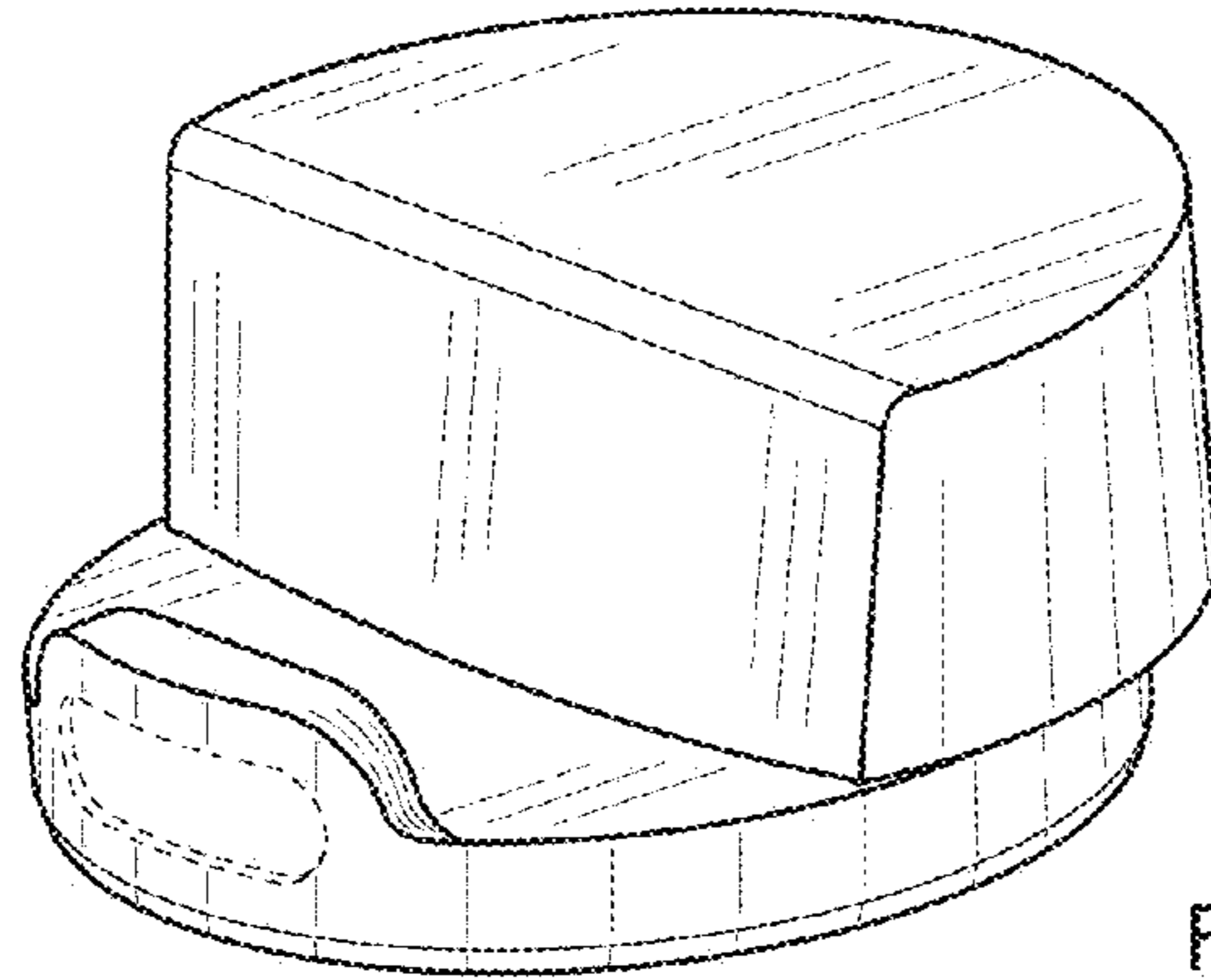


Fig. 8

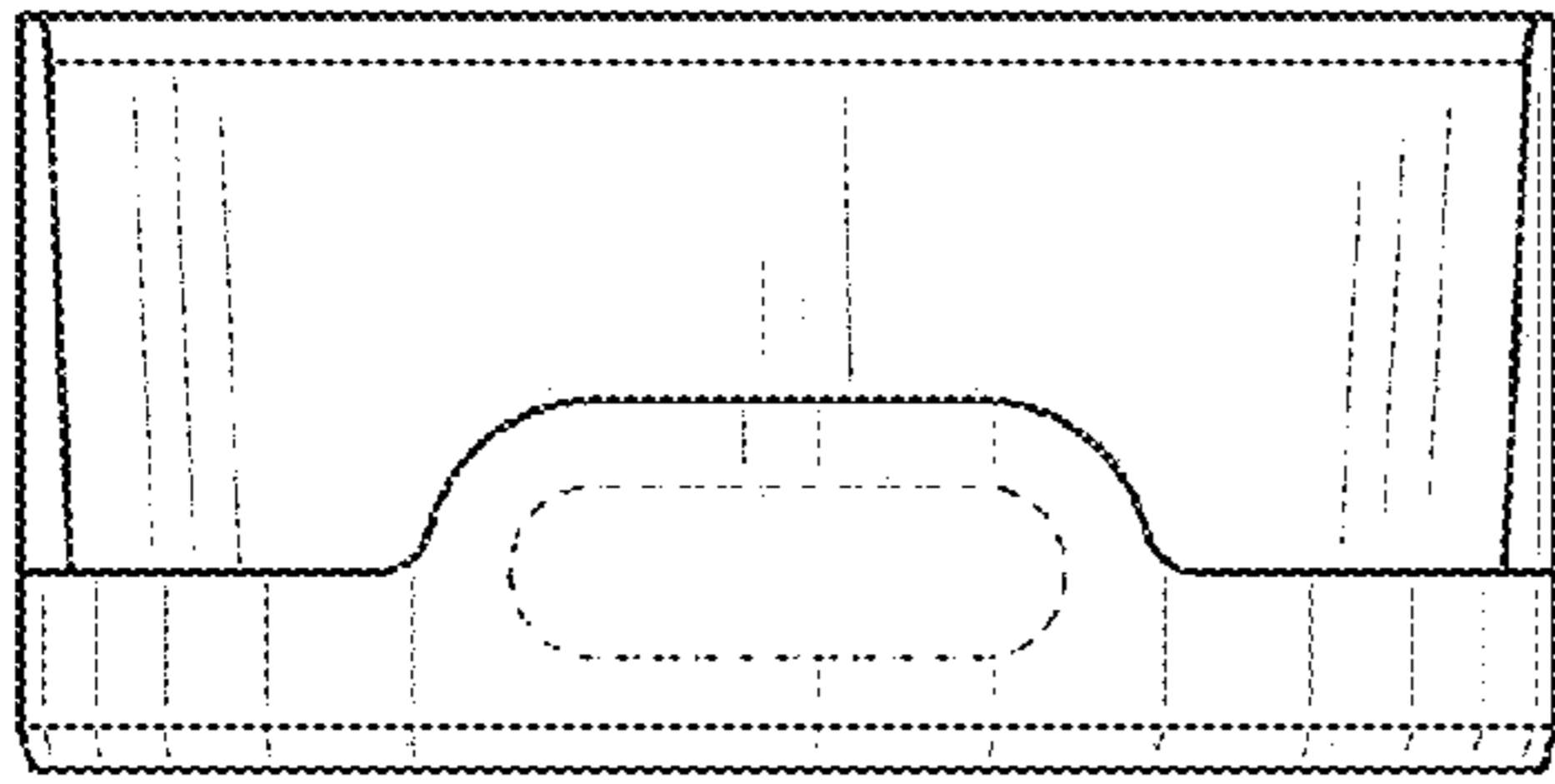


Fig. 9

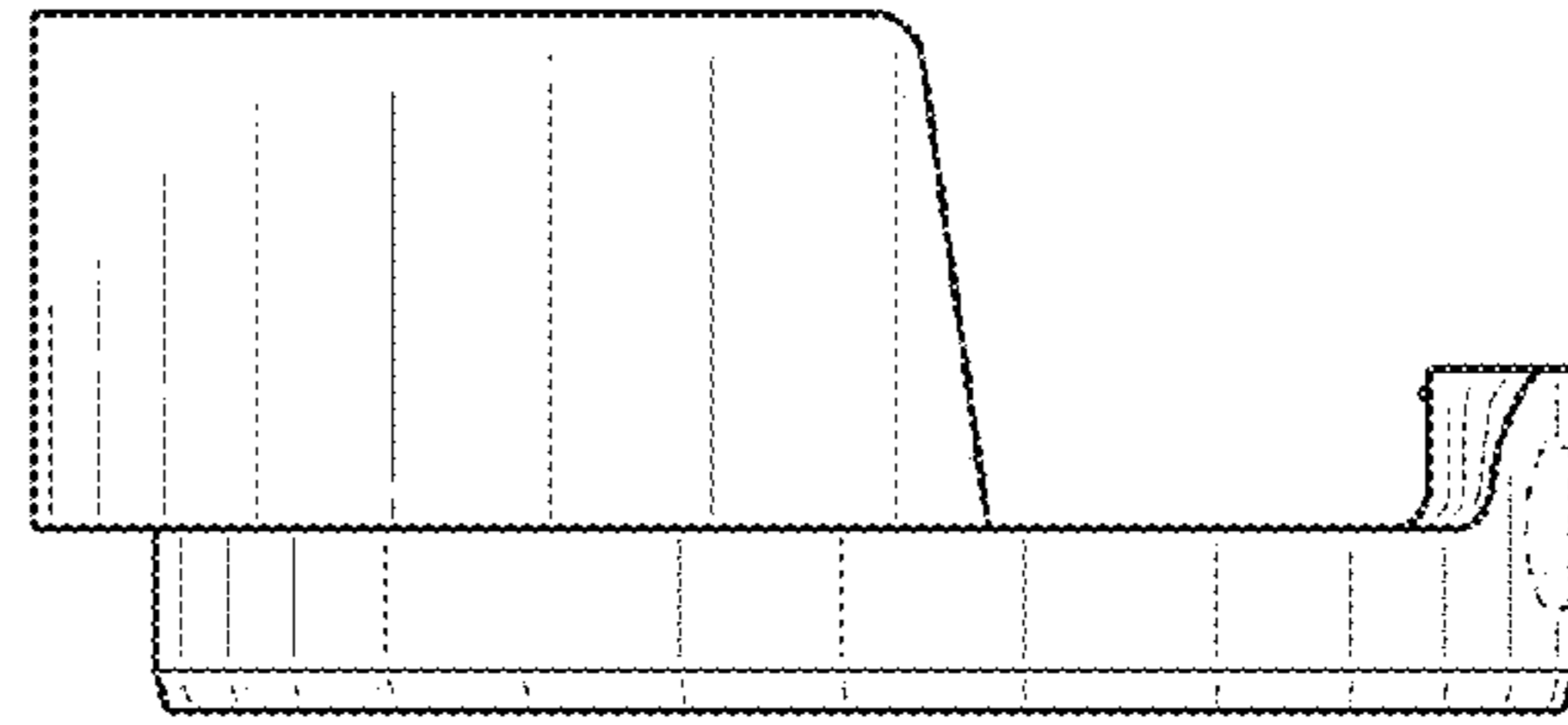


Fig. 10

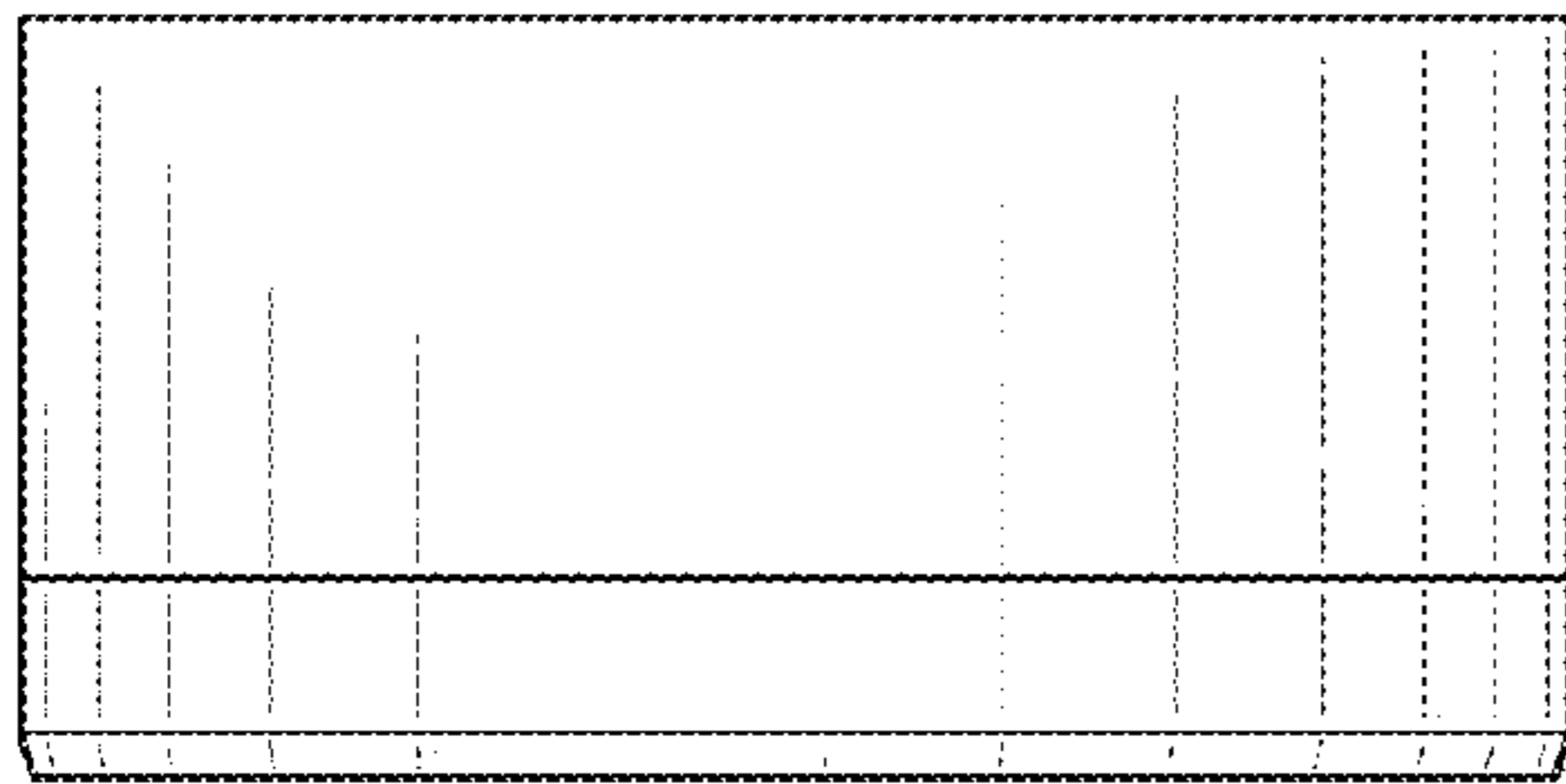


Fig. 11

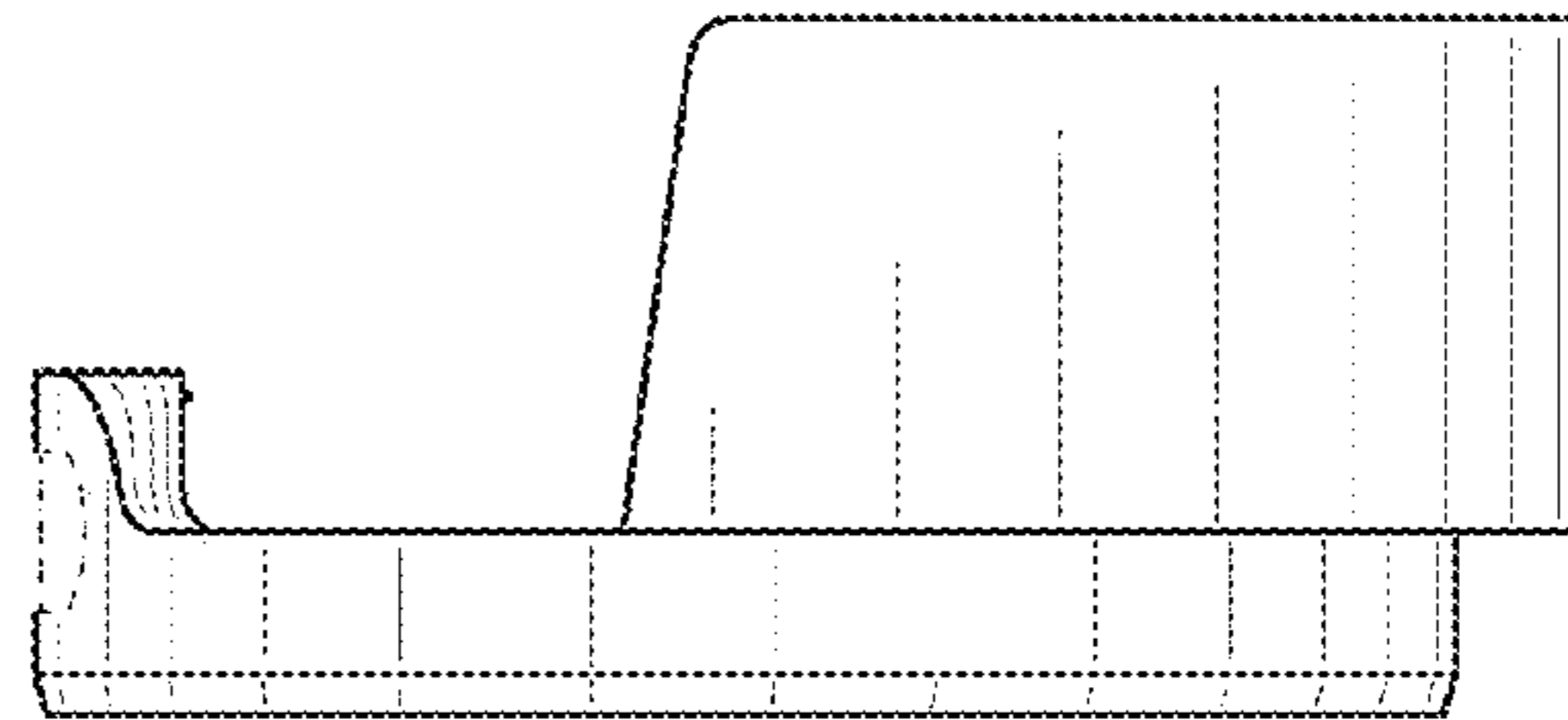


Fig. 12

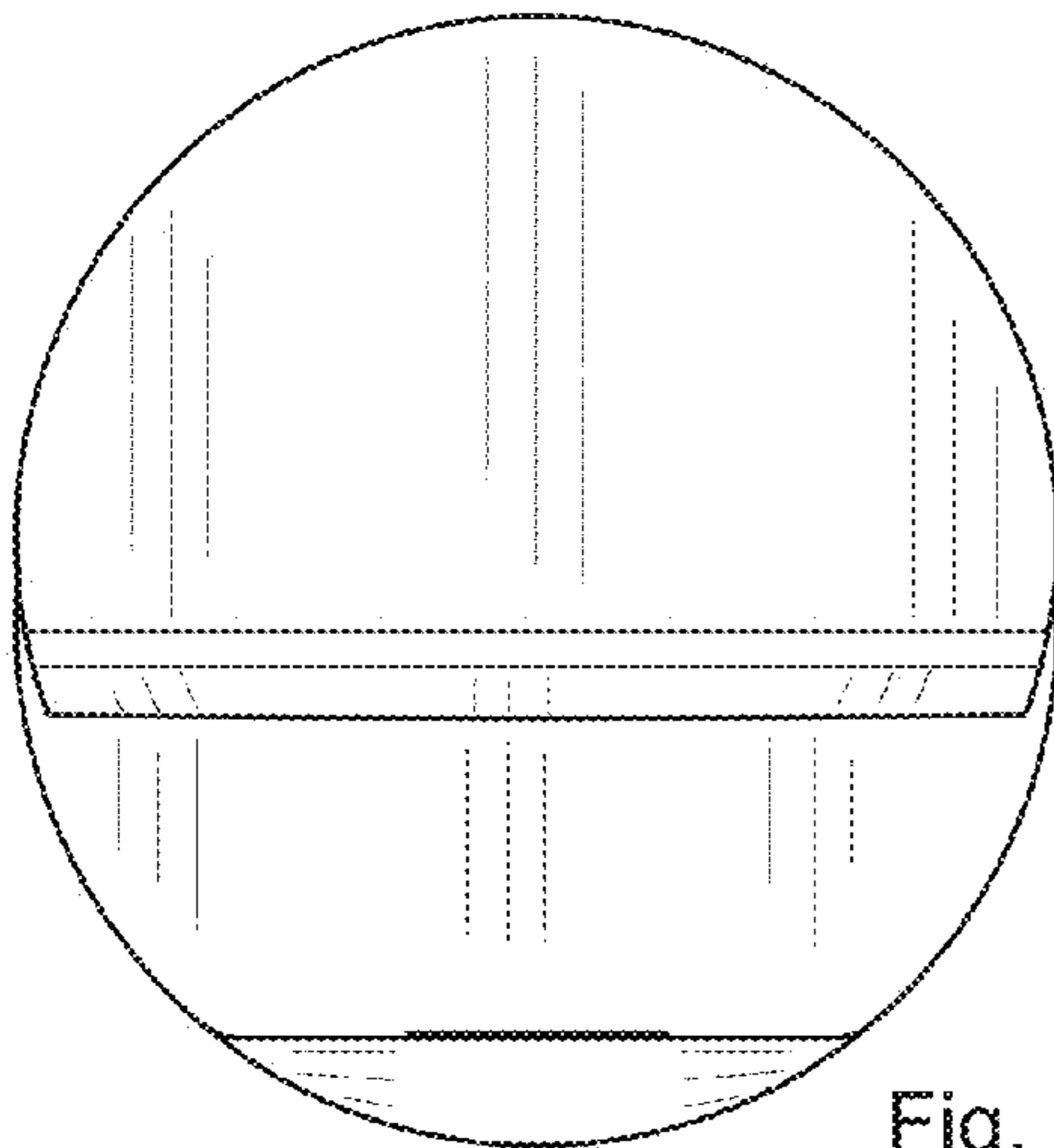


Fig. 13

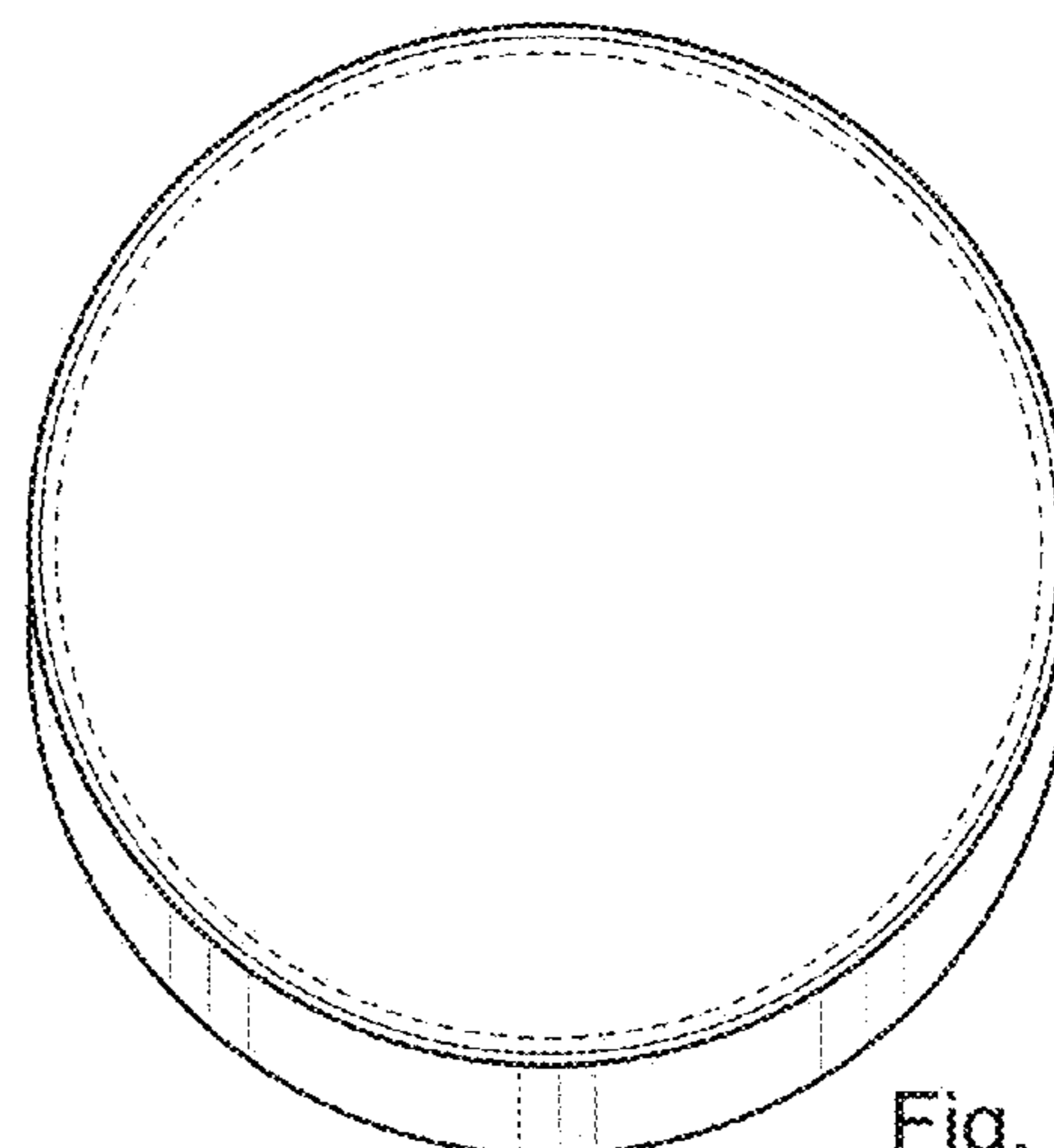


Fig. 14