



US00D746799S

(12) **United States Design Patent**
Kim et al.

(10) **Patent No.:** **US D746,799 S**
(45) **Date of Patent:** **** Jan. 5, 2016**

(54) **STAND FOR TELEVISION**

(56) **References Cited**

(71) Applicant: **Samsung Electronics Co., Ltd.**,
Suwon-si, Gyeonggi-do (KR)
(72) Inventors: **Hee-Bong Kim**, Gimpo-si (KR); **Taehun Kim**, Seoul (KR); **Jae Neung Lee**,
Ansan-si (KR)
(73) Assignee: **Samsung Electronics Co., Ltd.**,
Suwon-si (KR)
(**) Term: **14 Years**

U.S. PATENT DOCUMENTS

D540,310	S	*	4/2007	Yuyama	D14/214
D629,372	S	*	12/2010	Lim et al.	D14/126
D643,002	S	*	8/2011	Choi et al.	D14/126
D646,242	S	*	10/2011	Honda	D14/126
D655,690	S	*	3/2012	Yagi	D14/214
D659,677	S	*	5/2012	Kim et al.	D14/214
D661,280	S	*	6/2012	Asaka et al.	D14/172
D672,749	S	*	12/2012	Onoue	D14/214
D711,852	S	*	8/2014	Mackiewicz et al.	D14/214
D715,769	S	*	10/2014	McManigal	D14/214
D716,756	S	*	11/2014	Kim et al.	D14/204
D718,738	S	*	12/2014	Michael et al.	D14/214
D719,119	S	*	12/2014	Park et al.	D14/126

(21) Appl. No.: **29/518,479**

* cited by examiner

(22) Filed: **Feb. 24, 2015**

Primary Examiner — Randall Gholson
(74) *Attorney, Agent, or Firm* — Ladas & Parry LLP

(30) **Foreign Application Priority Data**

(57) **CLAIM**

Aug. 26, 2014 (KR) 30-2014-0041615

We claim the ornamental design for stand for television, as shown and described.

(51) **LOC (10) Cl.** **14-03**

DESCRIPTION

(52) **U.S. Cl.**
USPC **D14/239**

(58) **Field of Classification Search**
USPC D14/125-134, 239, 371, 136, 374-377,
D14/440, 450, 448, 336, 342, 159; 312/7.2;
348/836, 838, 180, 184, 325, 739;
248/917-924, 465; 345/104, 133, 156,
345/168, 87, 173; D21/329, 515, 577, 622,
D21/333, 433, 448, 452, 450, 331, 505;
D10/15, 26; 446/484, 175, 356;
D6/477, 479, 300; D24/185; D34/14
CPC ... G06F 1/1601; G06F 1/1643; H05K 5/0004;
H05K 5/0017; H05K 5/02; H05K 5/0217
See application file for complete search history.

FIG. 1 is the front perspective view of stand for television showing our new design;
FIG. 2 is the front view thereof;
FIG. 3 is the rear view thereof;
FIG. 4 is the left-side view thereof,
FIG. 5 is the right-side view thereof;
FIG. 6 is the top plan view thereof;
FIG. 7 is the bottom plan view thereof;
FIG. 8 is the rear perspective view thereof;
FIG. 9 is the front perspective view thereof shown in an example environment; and,
FIG. 10 is the rear perspective of FIG. 9.
The broken lines are for environmental purposes only and form no part of the claimed design.

1 Claim, 10 Drawing Sheets

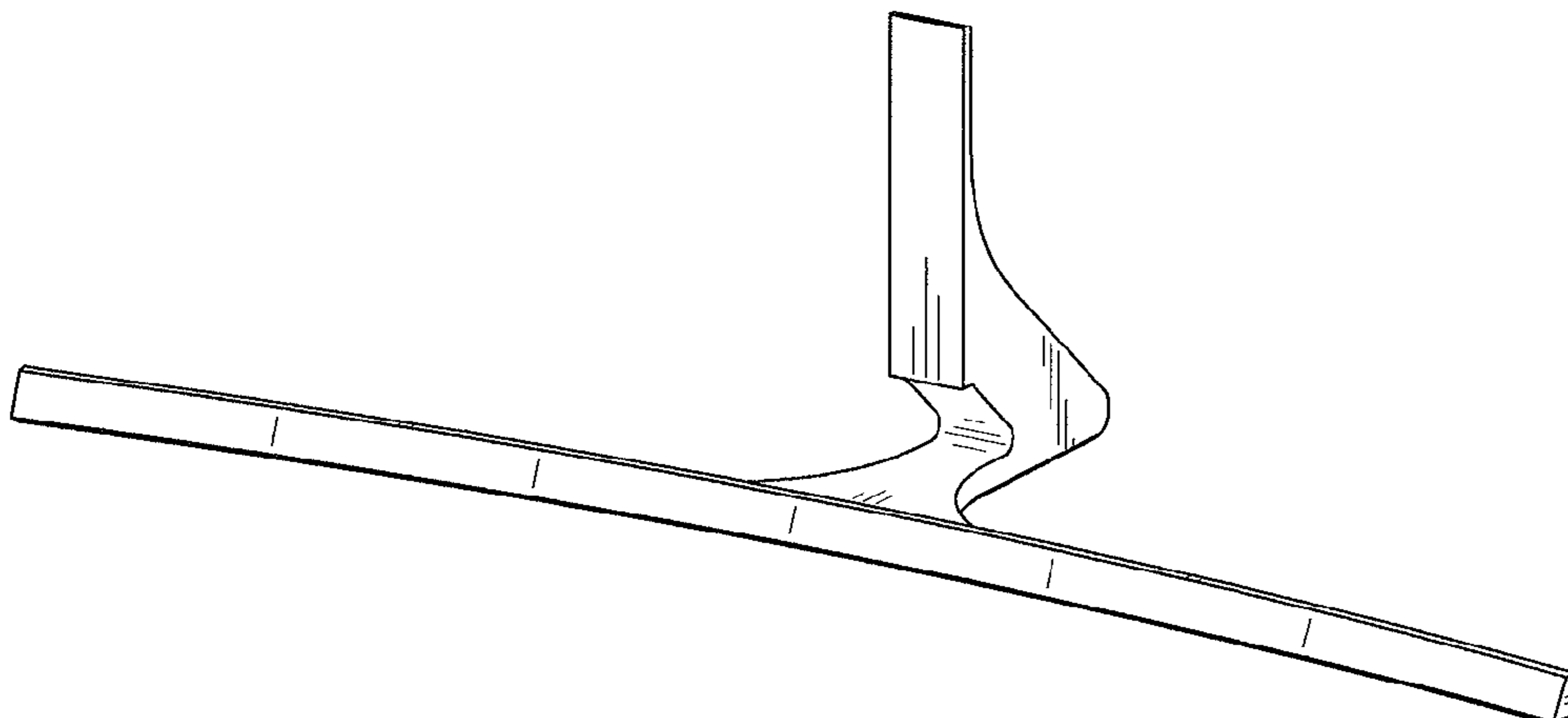


FIG.1

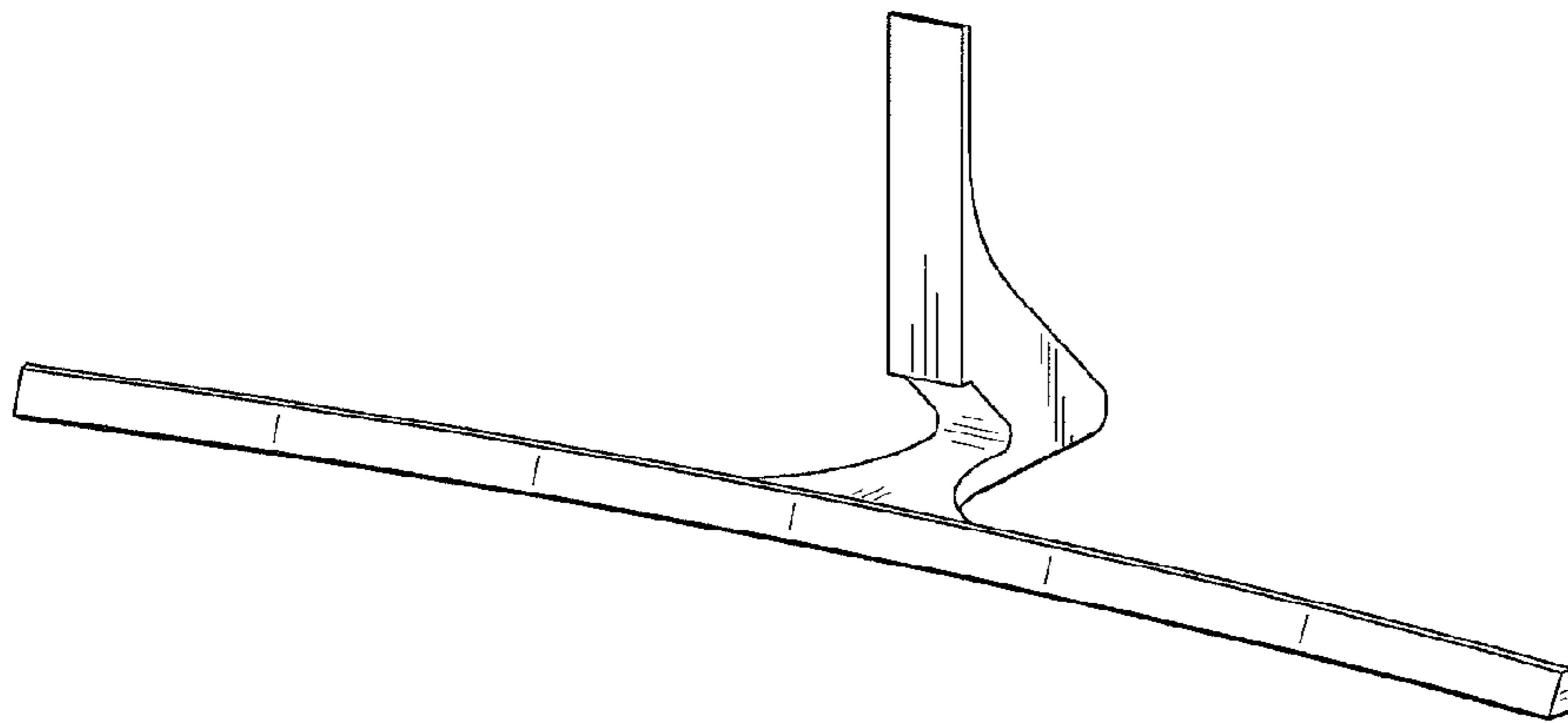


FIG.2

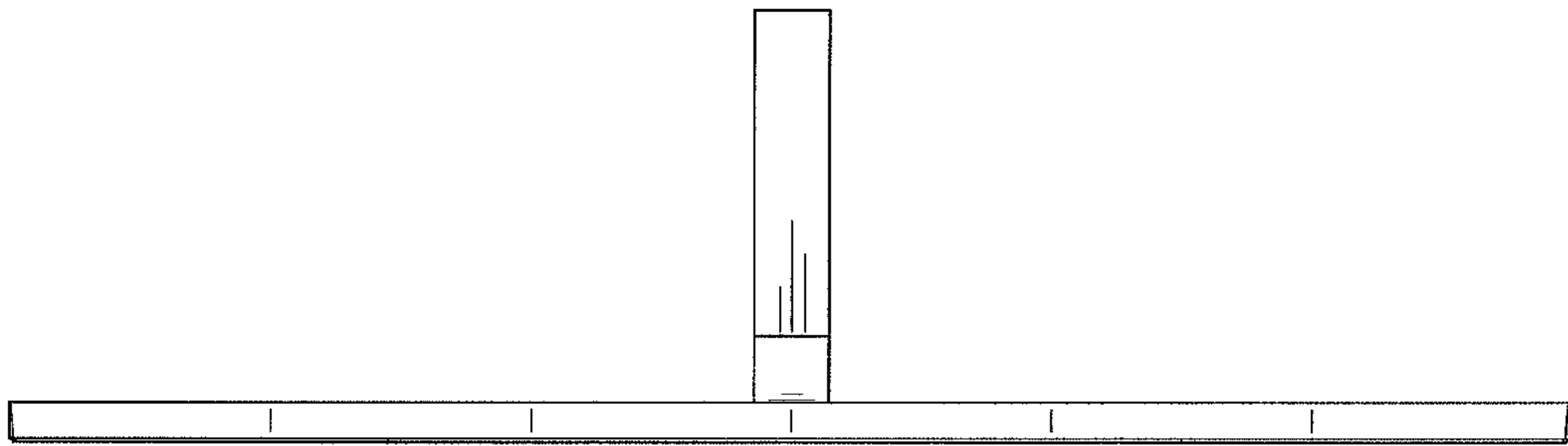


FIG.3

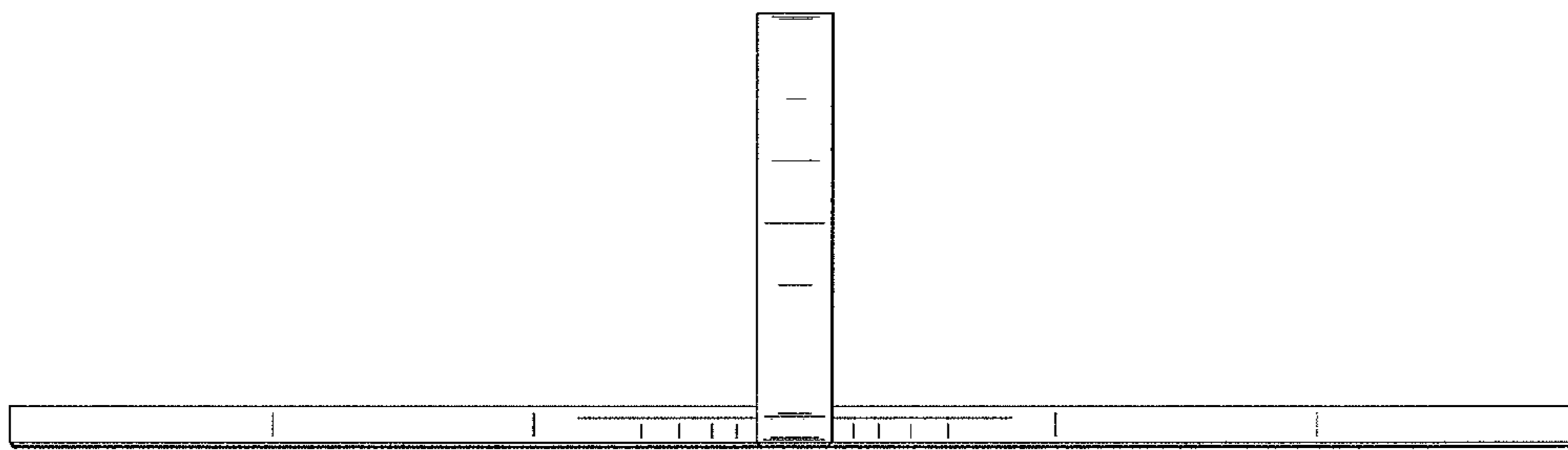


FIG.4

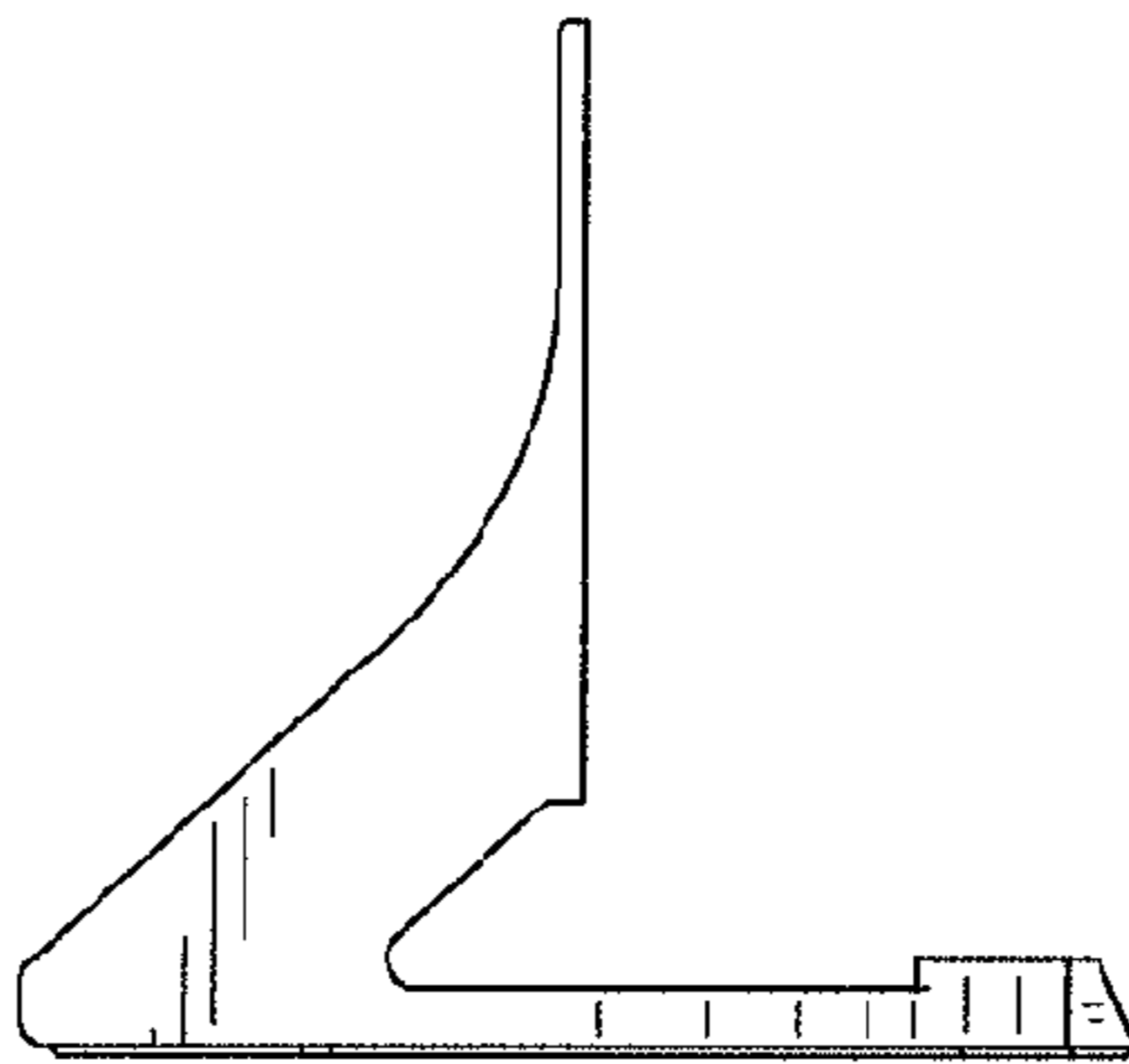


FIG.5

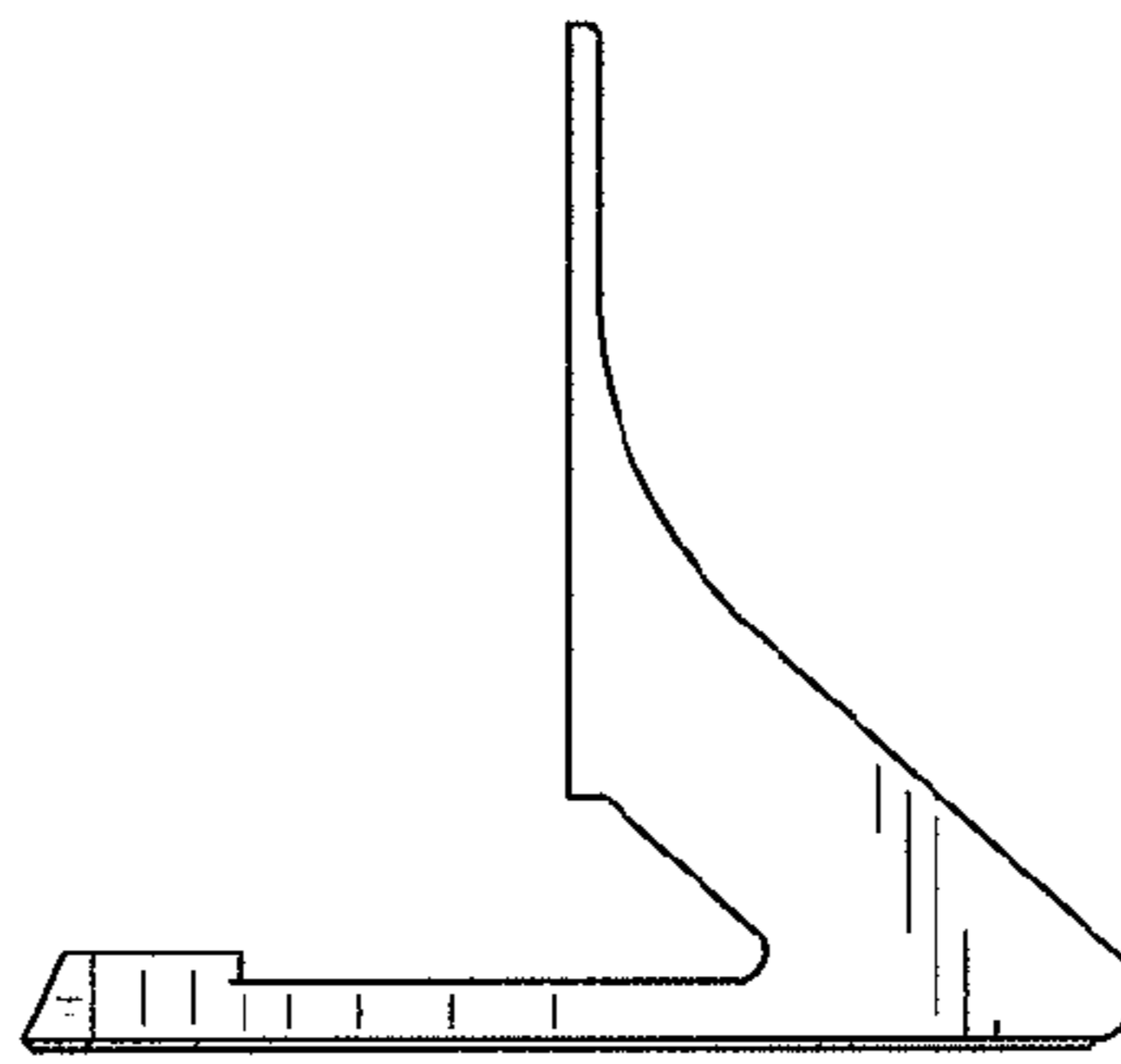


FIG.6

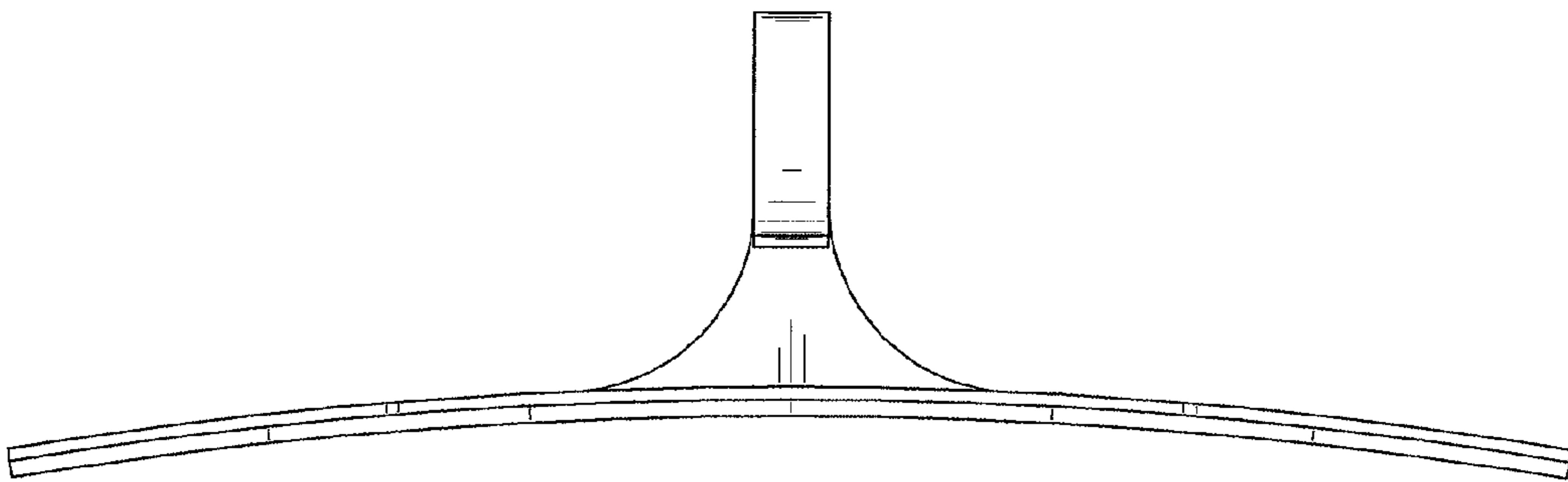


FIG.7

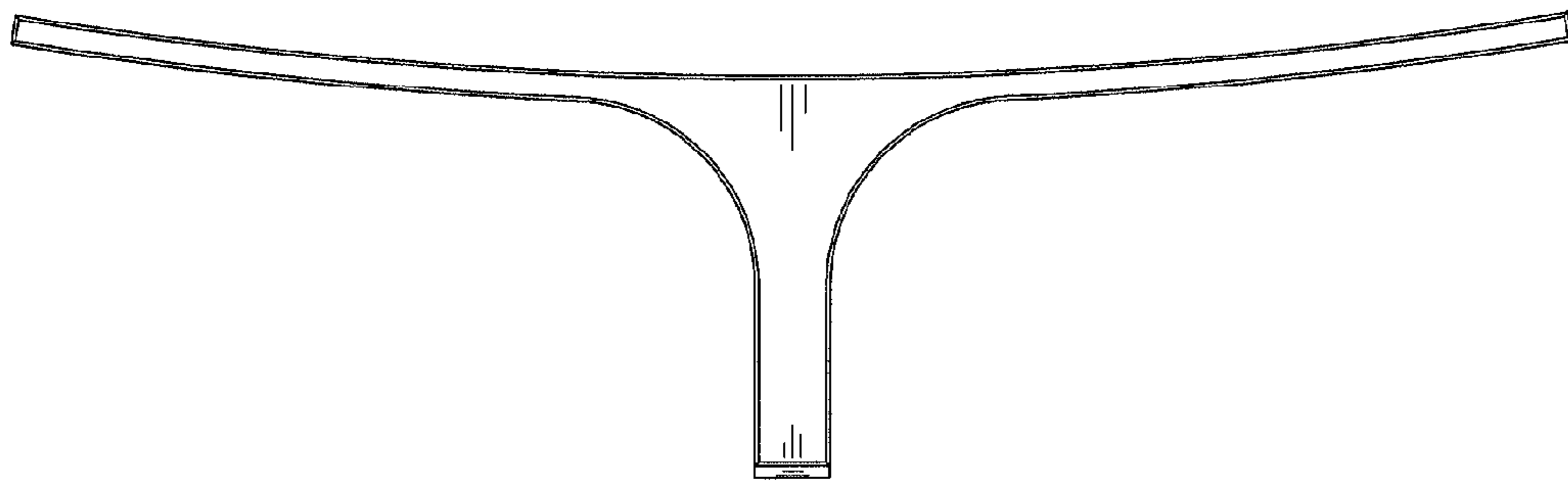


FIG.8

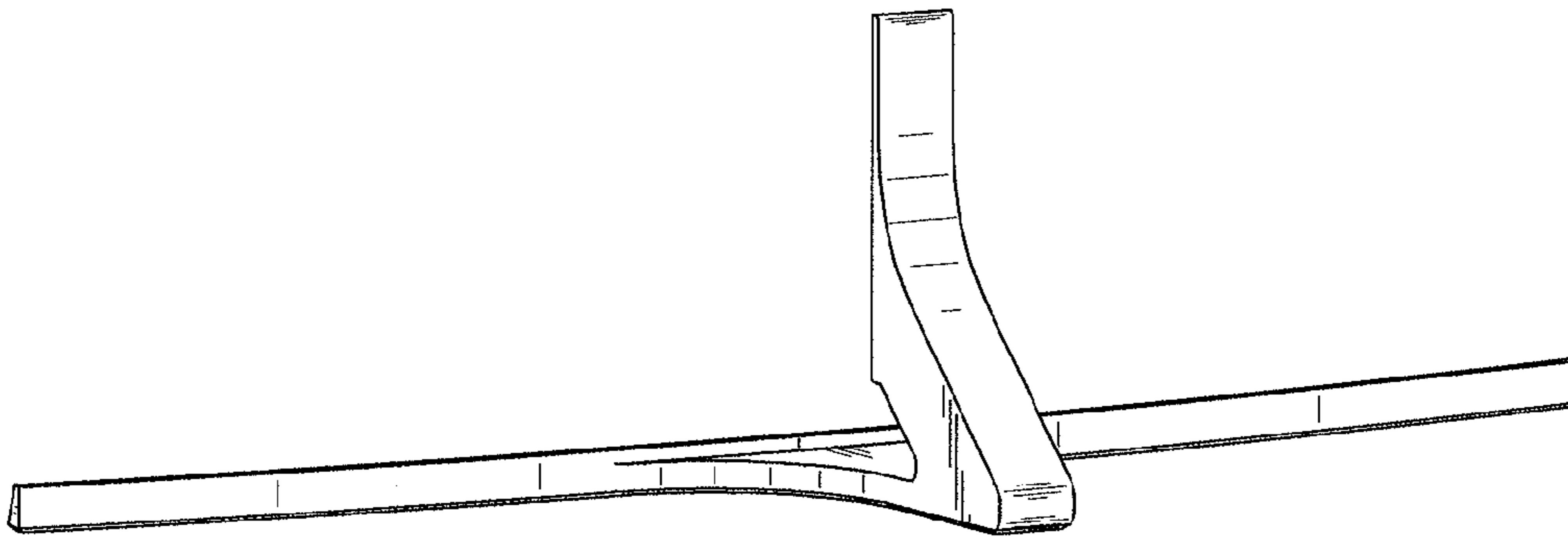


FIG.9

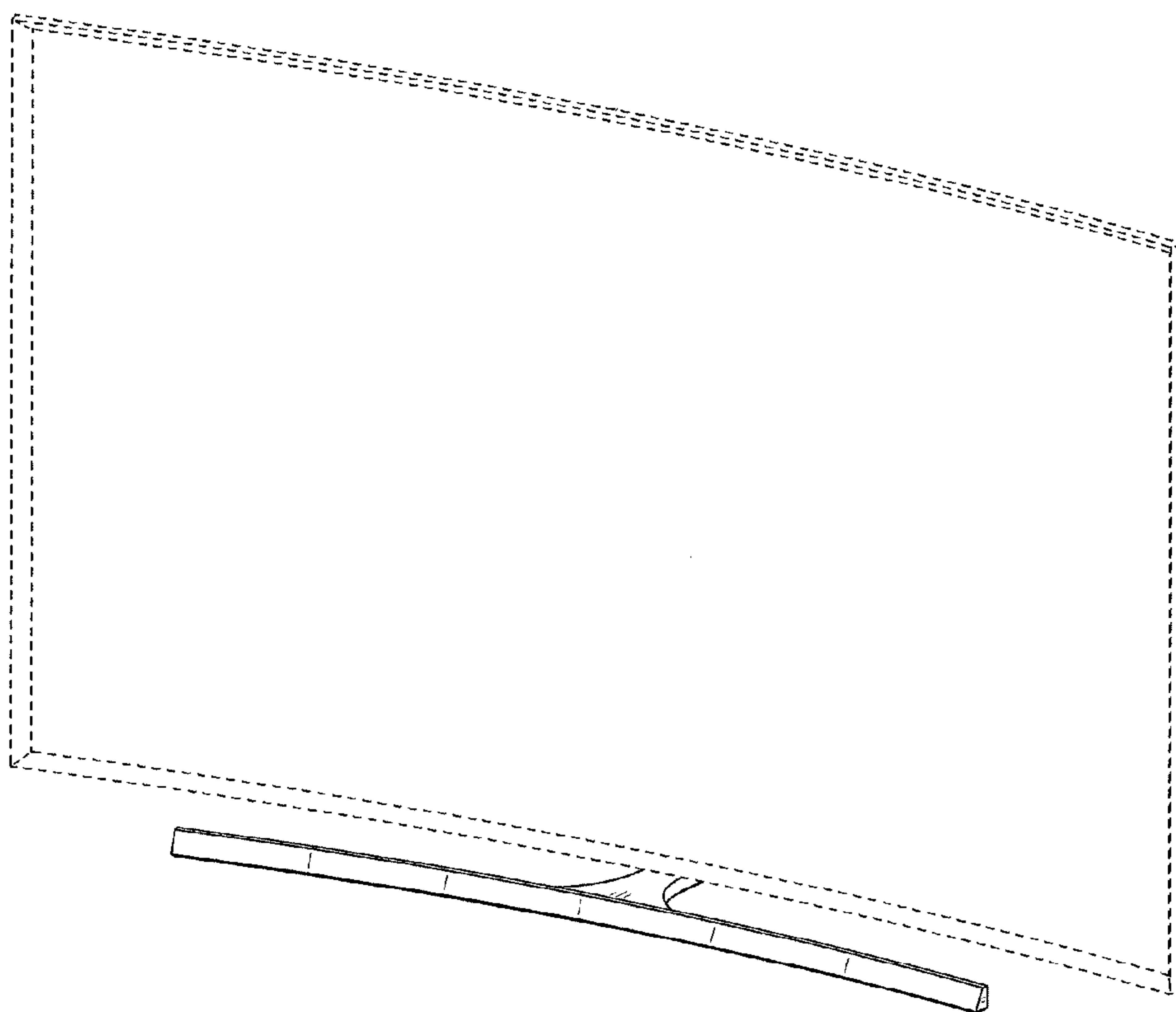


FIG.10

