



US00D746797S

(12) **United States Design Patent**
Chen

(10) **Patent No.:** **US D746,797 S**
(45) **Date of Patent:** **** Jan. 5, 2016**

(54) **COMPUTER MICROPHONE**

(71) Applicant: **Ching-Wen Chen**, Taipei (TW)

(72) Inventor: **Ching-Wen Chen**, Taipei (TW)

(**) Term: **14 Years**

(21) Appl. No.: **29/512,629**

(22) Filed: **Dec. 21, 2014**

(51) **LOC (10) Cl.** **14-01**

(52) **U.S. Cl.**
USPC **D14/228**

(58) **Field of Classification Search**
USPC D14/225, 226, 229, 227, 228; D16/244;
D17/99; D6/681; 248/125.1, 166,
248/185.1; 381/361, 363, 362, 365, 366,
381/355, 375, 359, 369; 379/428.01,
379/428.04, 431, 433.03
CPC H04R 25/00
See application file for complete search history.

6,007,032	A *	12/1999	Kuo	248/185.1
6,219,429	B1 *	4/2001	Chung	381/363
D441,354	S *	5/2001	Jing	D14/228
D457,876	S *	5/2002	Chung	D14/228
D469,278	S *	1/2003	Lippert	D6/682
D475,038	S *	5/2003	Jarodsky et al.	D14/228
6,789,722	B2 *	9/2004	Murakami	228/112.1
D529,484	S *	10/2006	Probst	D14/228
D535,645	S *	1/2007	Probst	D14/225
D643,024	S *	8/2011	Goodman et al.	D14/227
D643,230	S *	8/2011	Hepeng	D6/708.25
D673,204	S *	12/2012	Bae et al.	D16/244
D687,421	S *	8/2013	Slaton	D14/229
D704,486	S *	5/2014	Cho	D6/708.25
D723,311	S *	3/2015	Jiang et al.	D6/681

* cited by examiner

Primary Examiner — Paula Greene

(74) *Attorney, Agent, or Firm* — Pro-TECHTOR International Services; Ian B. Oglesby

(57) **CLAIM**

The ornamental design for a computer microphone, as shown and described.

DESCRIPTION

FIG. 1 is a plan view of computer microphone showing my new design;

FIG. 2 is a front view thereof;

FIG. 3 is a rear view thereof; and

FIG. 4 is a left side elevational view thereof;

FIG. 5 is a right side elevational view thereof;

FIG. 6 is a top elevational view thereof; and,

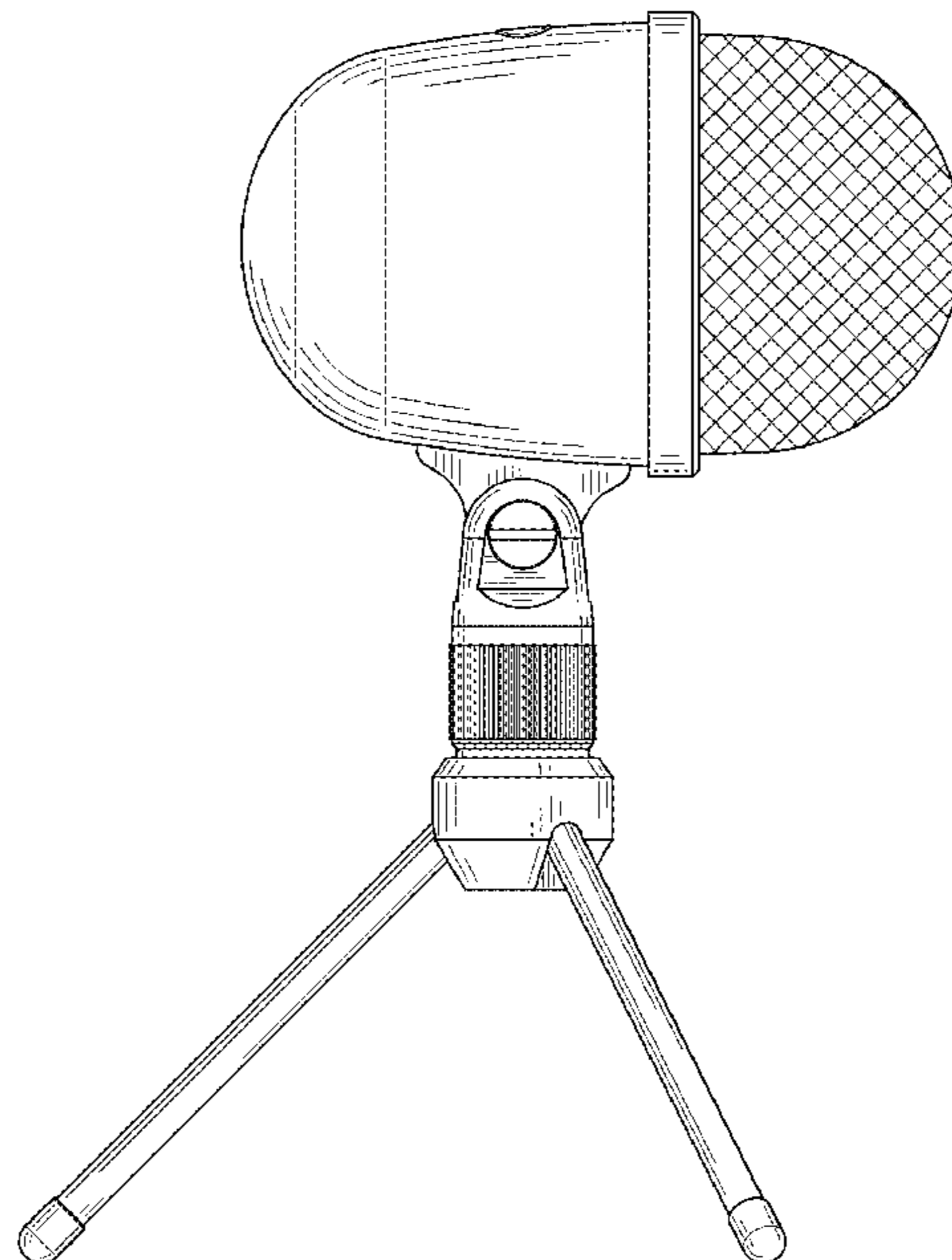
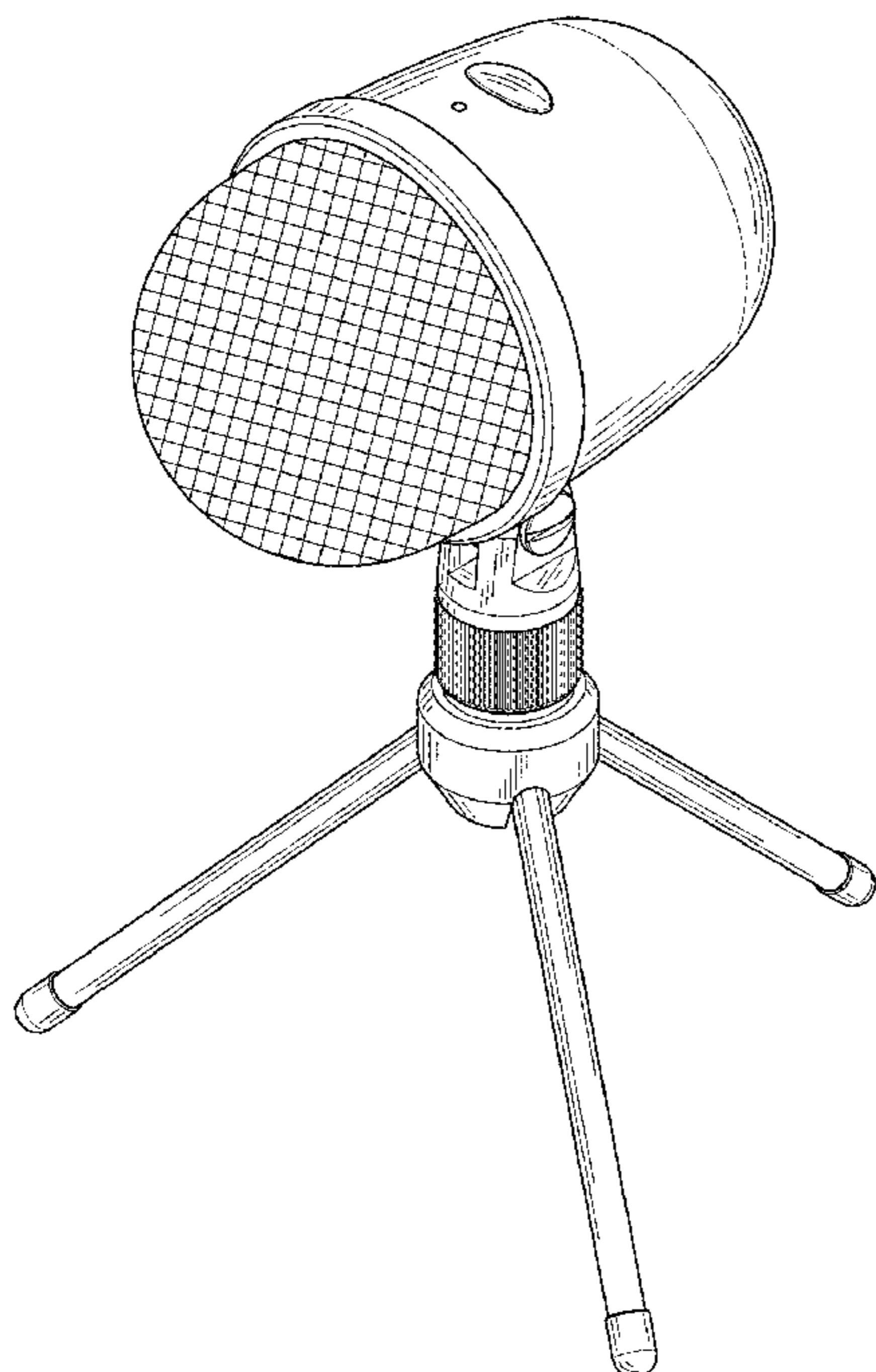
FIG. 7 is a bottom elevational view thereof.

1 Claim, 7 Drawing Sheets

(56) **References Cited**

U.S. PATENT DOCUMENTS

1,881,990	A *	10/1932	Zitzer	403/92
2,188,150	A *	1/1940	Malat	248/346.03
2,539,974	A *	1/1951	Riddell	362/199
3,064,932	A *	11/1962	Holderman	248/171
D233,669	S *	11/1974	Plice	D14/228
4,066,231	A *	1/1978	Bahner et al.	248/552
4,671,479	A *	6/1987	Johnson	248/173
D302,158	S *	7/1989	Kubota	D14/225
5,684,452	A *	11/1997	Wang	340/321



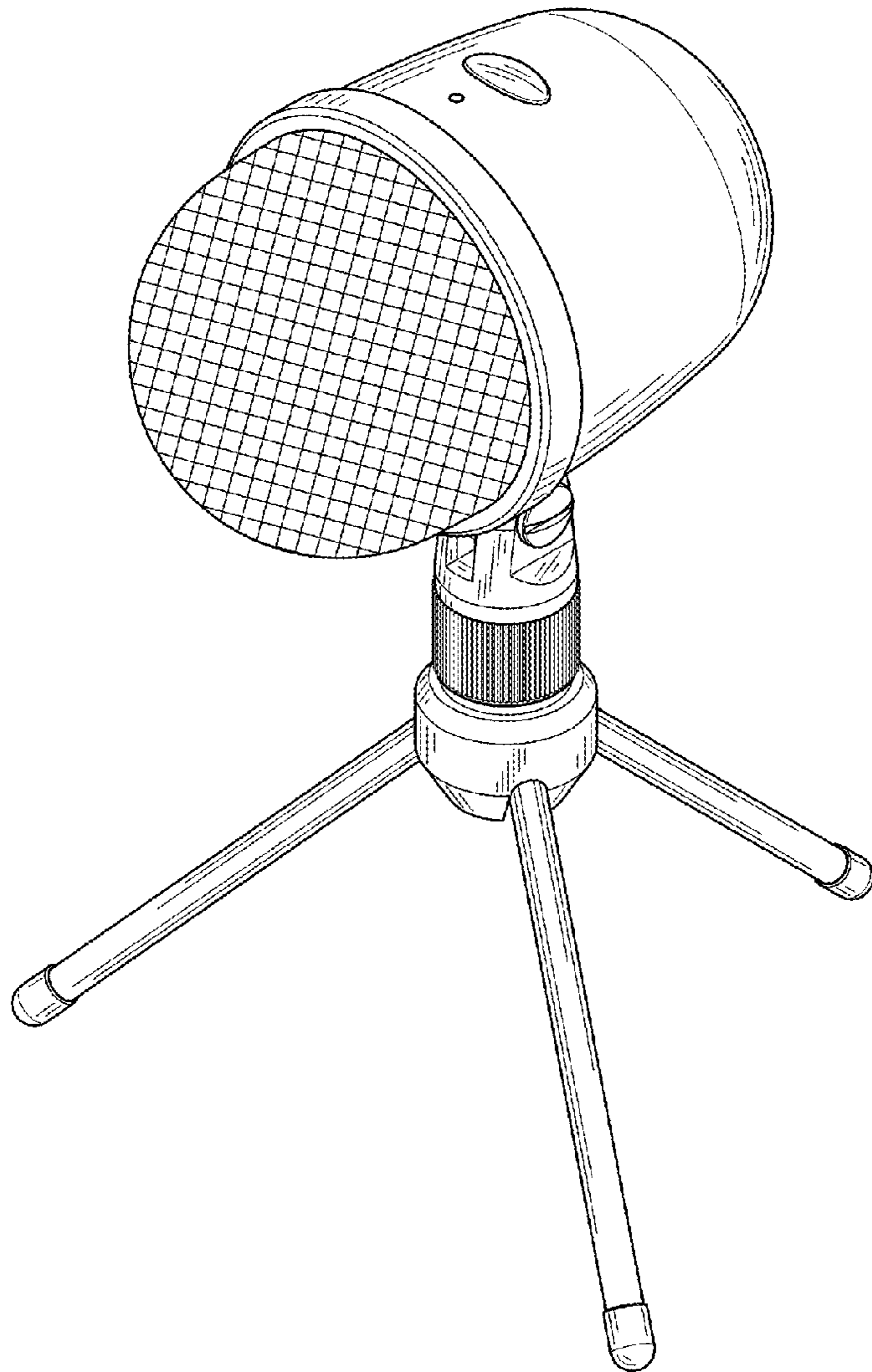


Fig.1

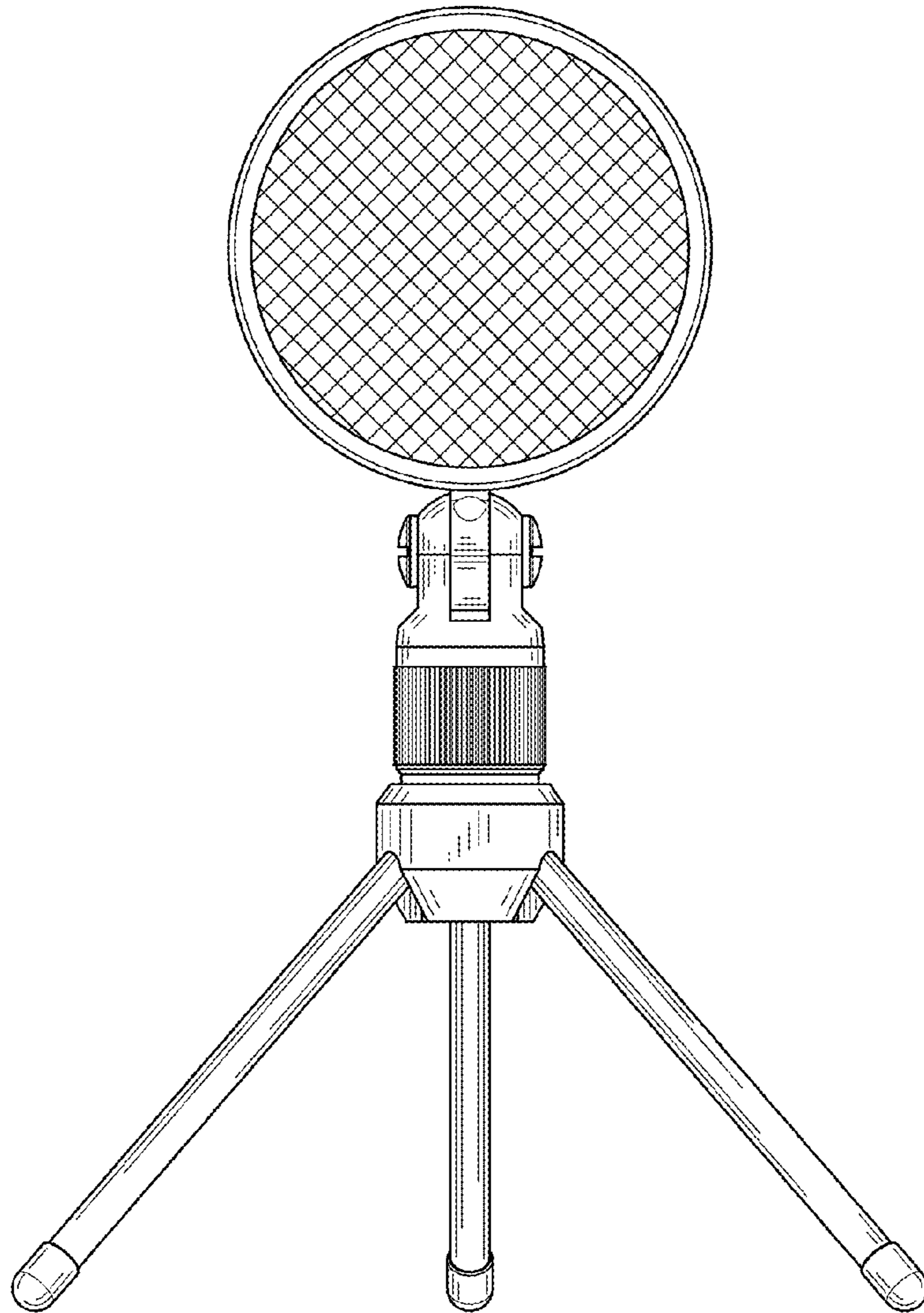


Fig.2

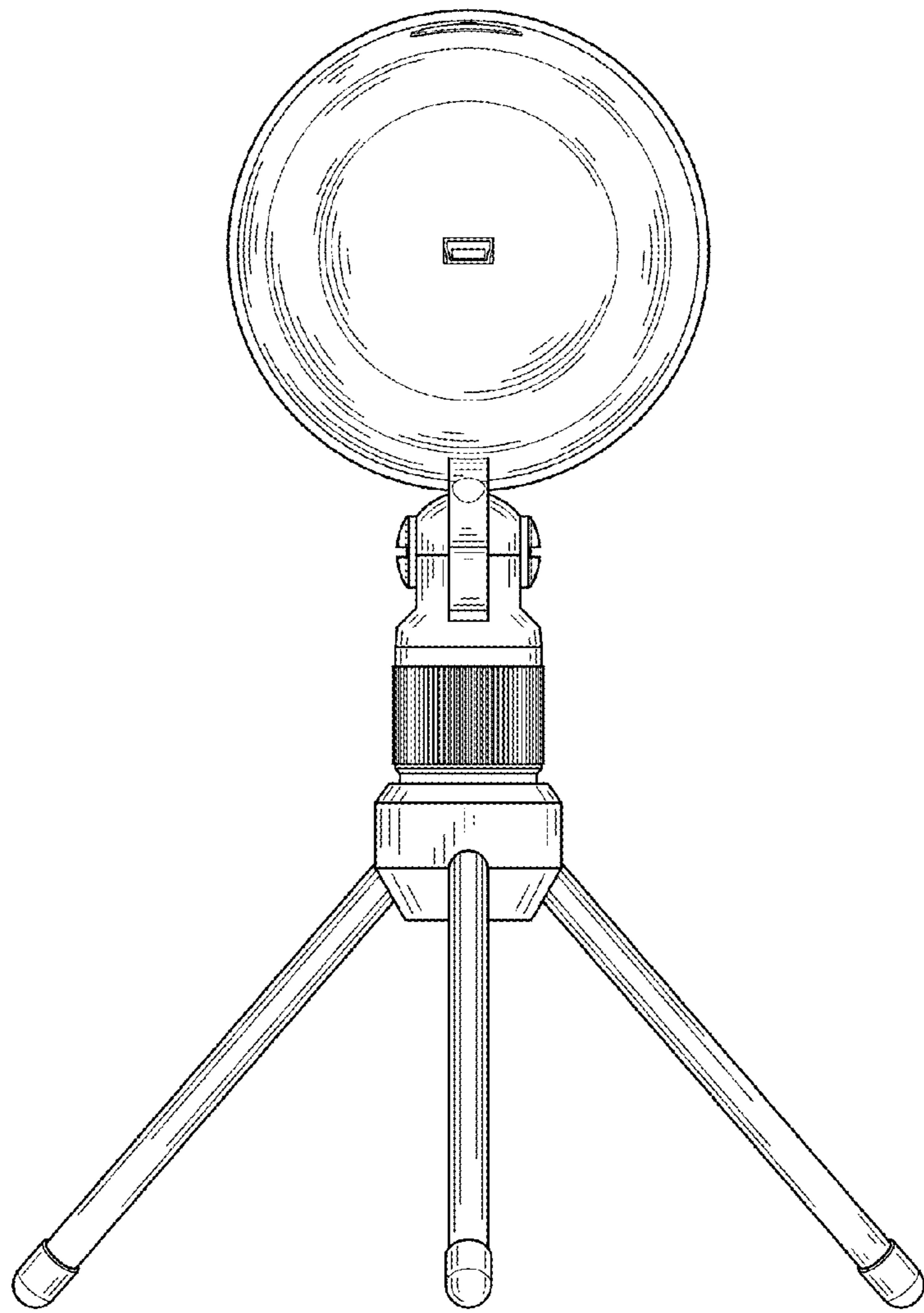


Fig.3

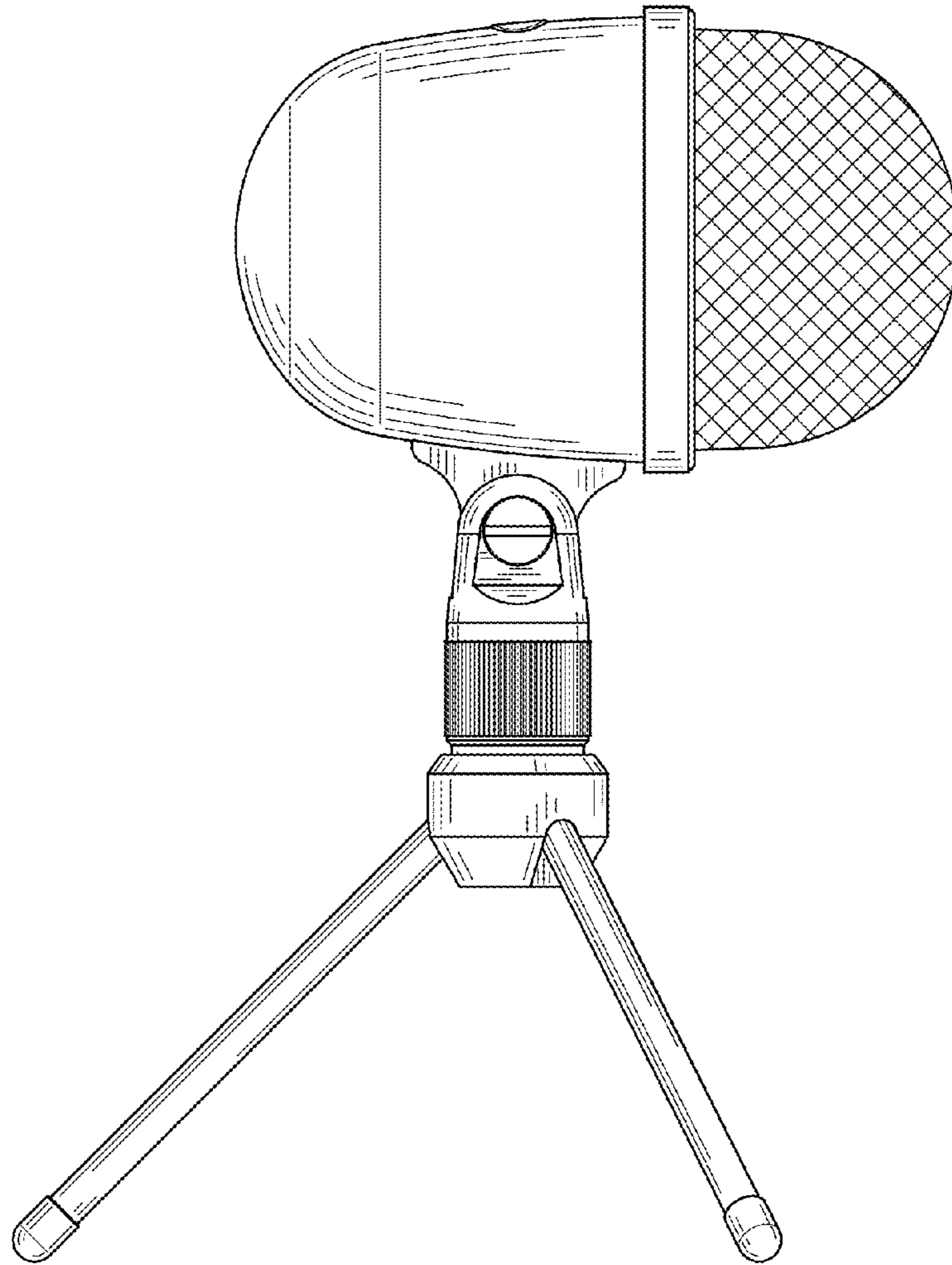


Fig.4

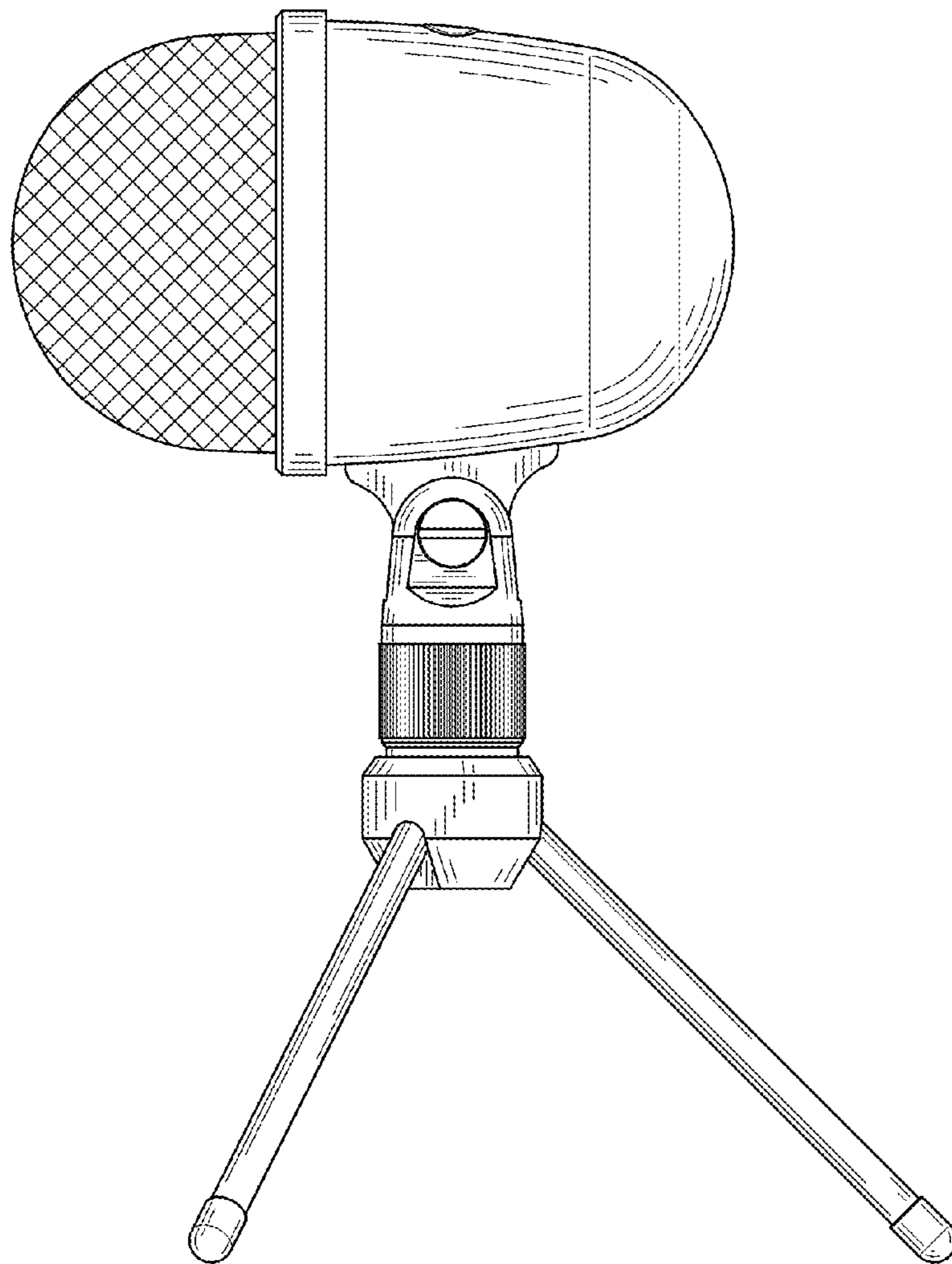


Fig.5

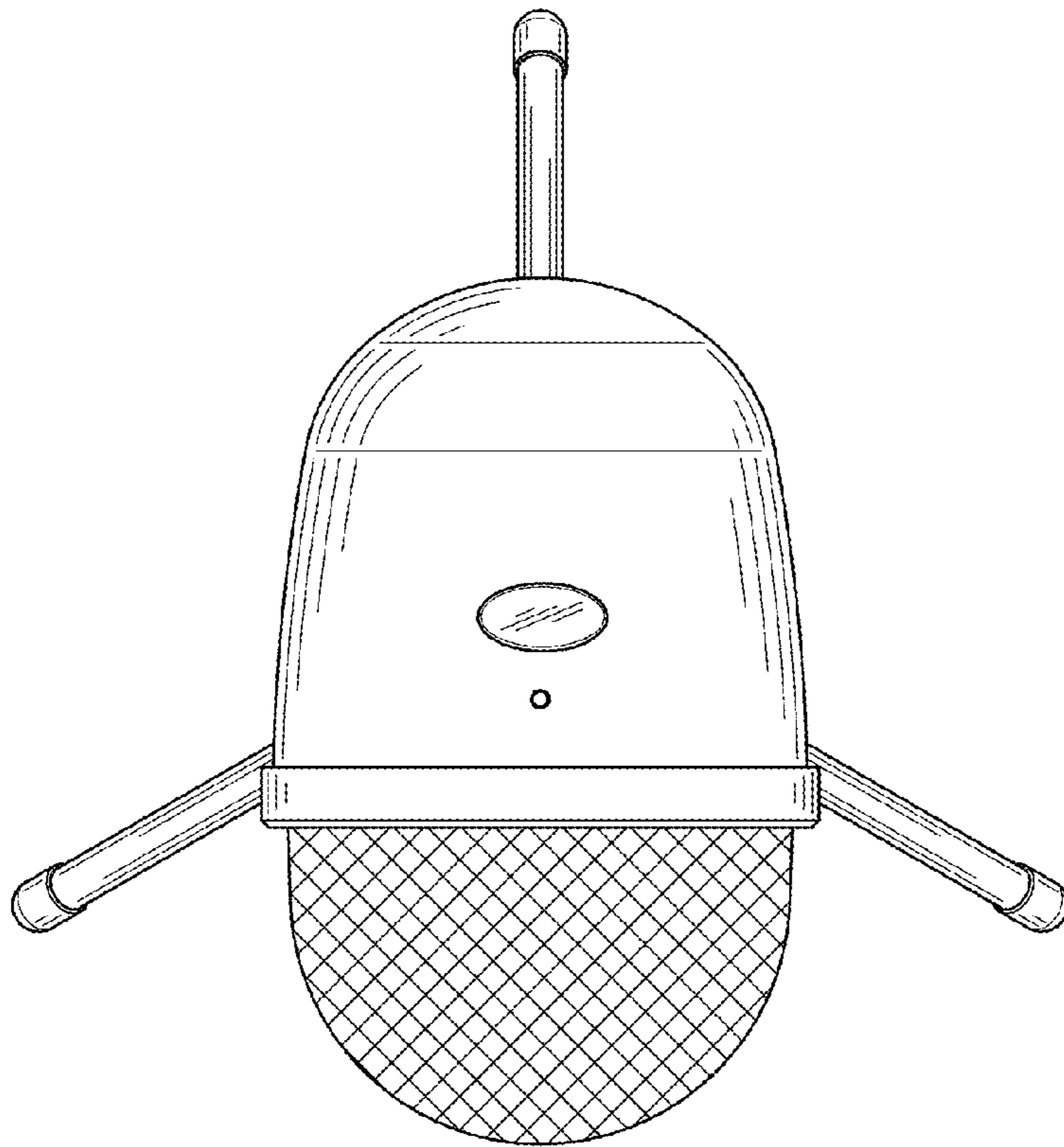


Fig.6

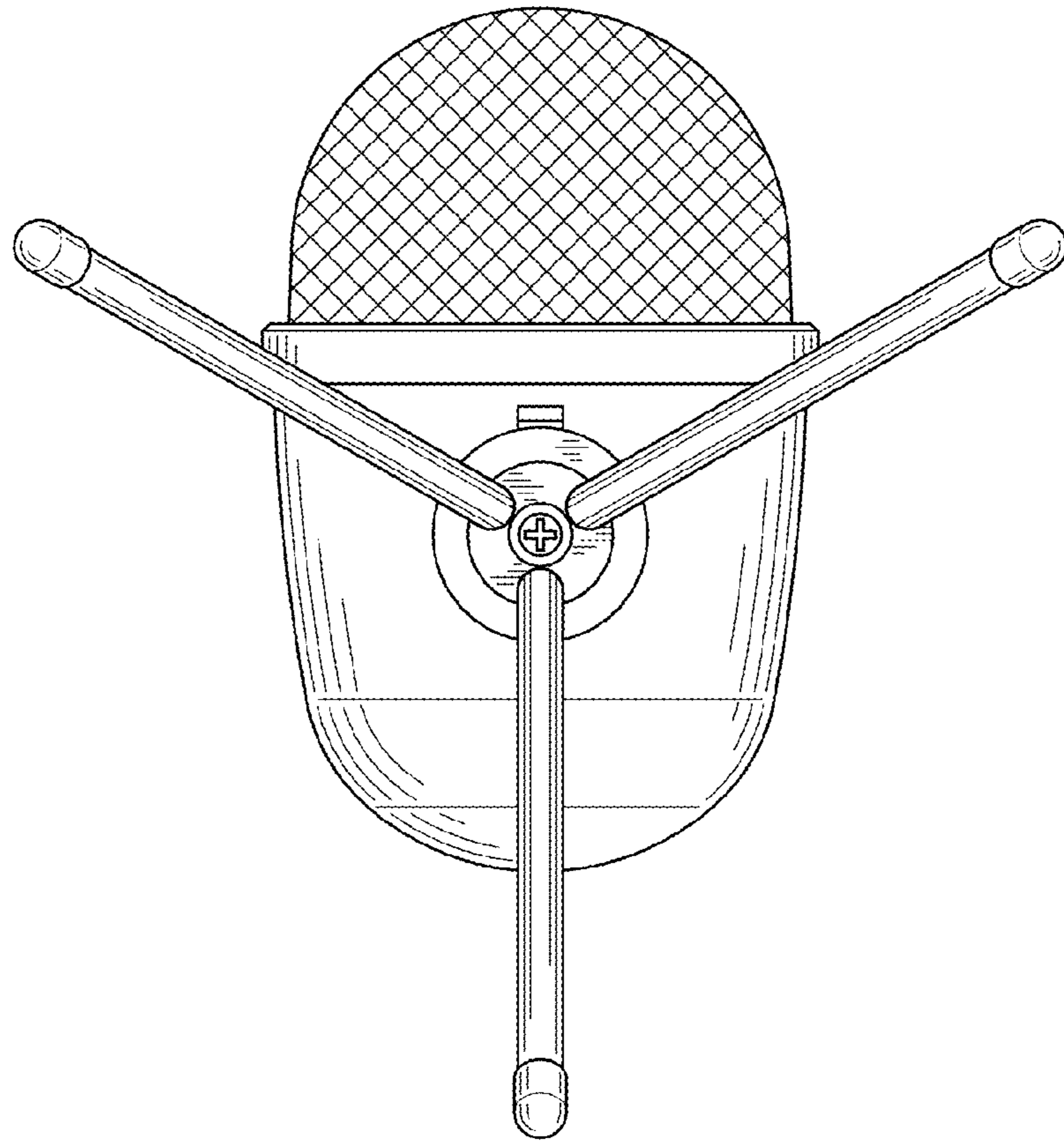


Fig.7