

US00D746796S

(12) **United States Design Patent**
Wise et al.

(10) **Patent No.:** **US D746,796 S**
(45) **Date of Patent:** **** Jan. 5, 2016**

(54) **MICROPHONE**

(71) Applicant: **GIBSON BRANDS, INC.**, Nashville, TN (US)

(72) Inventors: **Bernard Wise**, Agoura, CA (US);
Martins Saulespurens, Thousand Oaks, CA (US); **Martin Wolf**, Valencia, CA (US)

(73) Assignee: **Gibson Brands, Inc.**, Nashville, TN (US)

(**) Term: **14 Years**

(21) Appl. No.: **29/513,181**

(22) Filed: **Dec. 29, 2014**

(51) **LOC (10) Cl.** **14-01**

(52) **U.S. Cl.**
USPC **D14/227**

(58) **Field of Classification Search**
USPC D14/225, 226, 227, 228, 229, 214, 215, D14/216; D26/61, 63; D17/99; 181/194, 181/242; 381/390, 363, 361; 362/427
CPC H04R 1/00; H04R 1/02
See application file for complete search history.

(56) **References Cited**

U.S. PATENT DOCUMENTS

| | | | | | |
|-----------|-----|---------|------------|-------|-----------------------|
| 2,263,668 | A * | 11/1941 | Woodworth | | H04R 1/08 362/239 |
| D135,320 | S * | 3/1943 | Dann | | 381/363 |
| D157,138 | S * | 2/1950 | Fox et al. | | 381/390 |
| 2,623,957 | A * | 12/1952 | Cragg | | H04M 1/11 181/242 |
| D171,055 | S * | 12/1953 | Schell, Jr | | D14/225 |
| D195,966 | S * | 8/1963 | Spillman | | D14/225 |
| D195,972 | S * | 8/1963 | Spillman | | D14/225 |
| 3,399,856 | A * | 9/1968 | Pecaut | | F21V 21/14 211/162 |
| 3,414,686 | A * | 12/1968 | Reinthal | | H04R 1/08 |

| | | | | | |
|--------------|------|---------|-----------|-------|---------------------------------|
| 3,573,401 | A * | 4/1971 | Lininger | | 181/242 H04R 1/08 348/121 |
| 3,924,083 | A * | 12/1975 | Hagey | | H04R 1/08 248/596 |
| 4,047,017 | A * | 9/1977 | Herring | | F21V 21/145 362/118 |
| D286,399 | S * | 10/1986 | Willy | | D14/222 |
| 4,799,132 | A * | 1/1989 | Perlsweig | | B43K 29/10 362/118 |
| D327,480 | S * | 6/1992 | Soren | | D14/229 |
| D374,444 | S * | 10/1996 | Blessing | | D14/215 |
| D376,586 | S * | 12/1996 | Shinano | | D14/227 |
| D436,096 | S * | 1/2001 | Nagele | | D14/214 |
| D529,484 | S * | 10/2006 | Probst | | D14/228 |
| D535,645 | S * | 1/2007 | Probst | | D14/225 |
| D551,661 | S * | 9/2007 | Probst | | D14/225 |
| D579,597 | S * | 10/2008 | Ng | | D26/61 |
| D627,501 | S * | 11/2010 | Lin | | D26/65 |
| D650,005 | S * | 12/2011 | Perks | | D17/99 |
| 2002/0048384 | A1 * | 4/2002 | Chen | | H04R 1/08 381/363 |

* cited by examiner

Primary Examiner — Paula Greene

(74) Attorney, Agent, or Firm — Bates & Bates, LLC

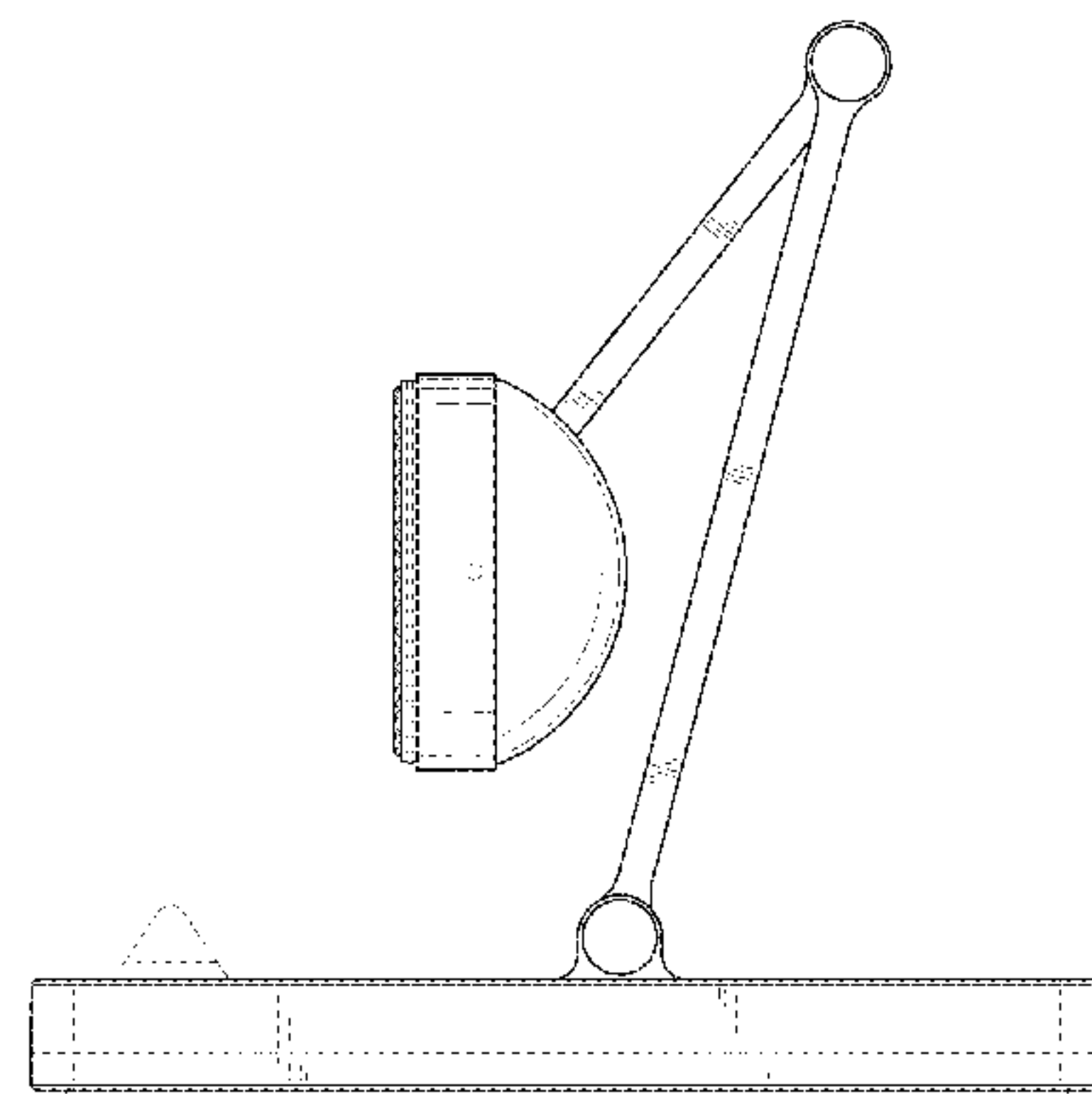
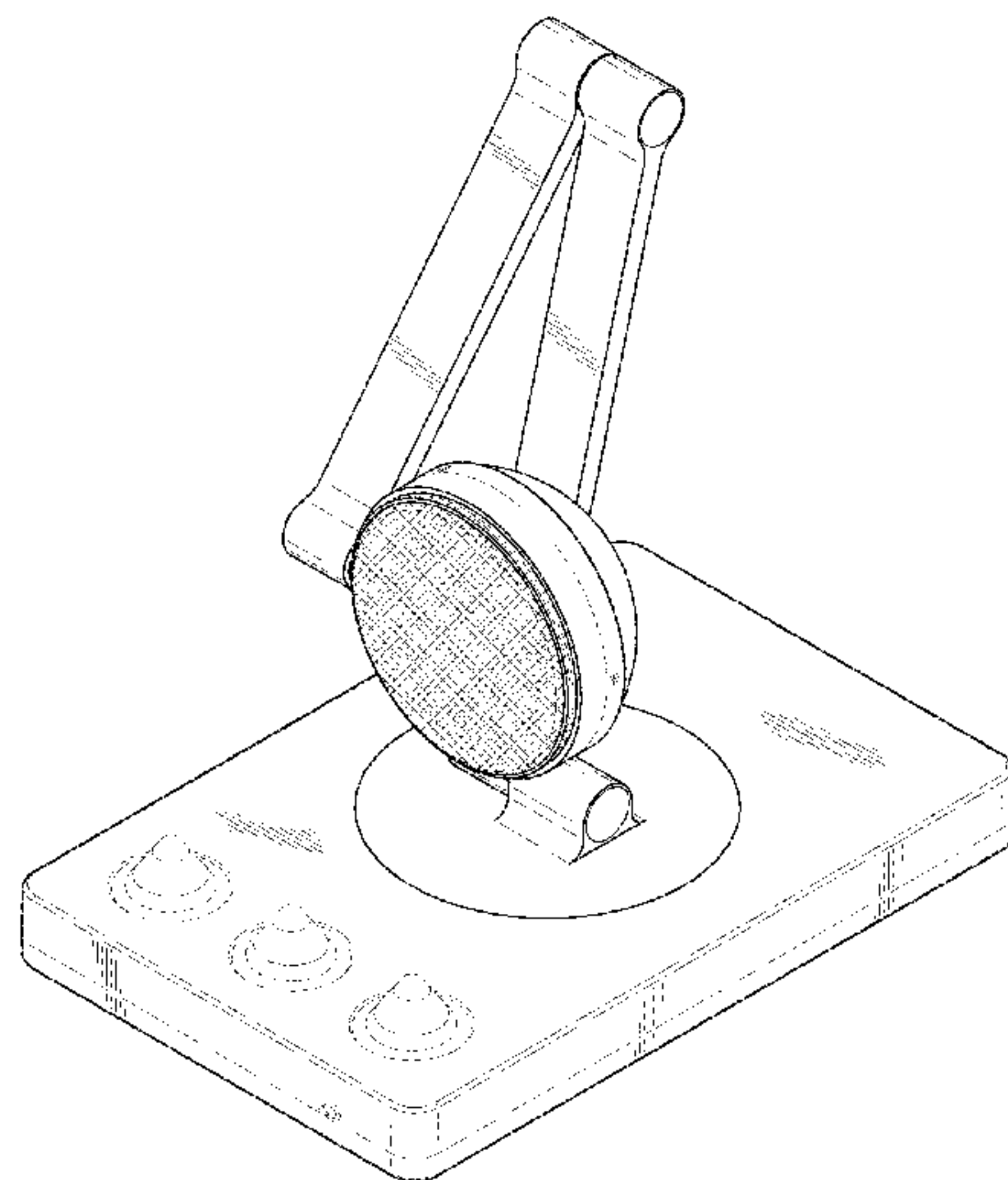
(57) **CLAIM**

What is claimed is the ornamental design for a microphone, as shown and described.

DESCRIPTION

FIG. 1 is a perspective view of a microphone; FIG. 2 is a front view of the microphone; FIG. 3 is a back view of the microphone; FIG. 4 is a left side view of the microphone; FIG. 5 is a right side view of the microphone; FIG. 6 is a top view of the microphone; FIG. 7 is a bottom view of the microphone; and, FIG. 8 is a contextual perspective view of the microphone showing a mouth piece cover. The broken lines form no part of the claimed design.

1 Claim, 8 Drawing Sheets



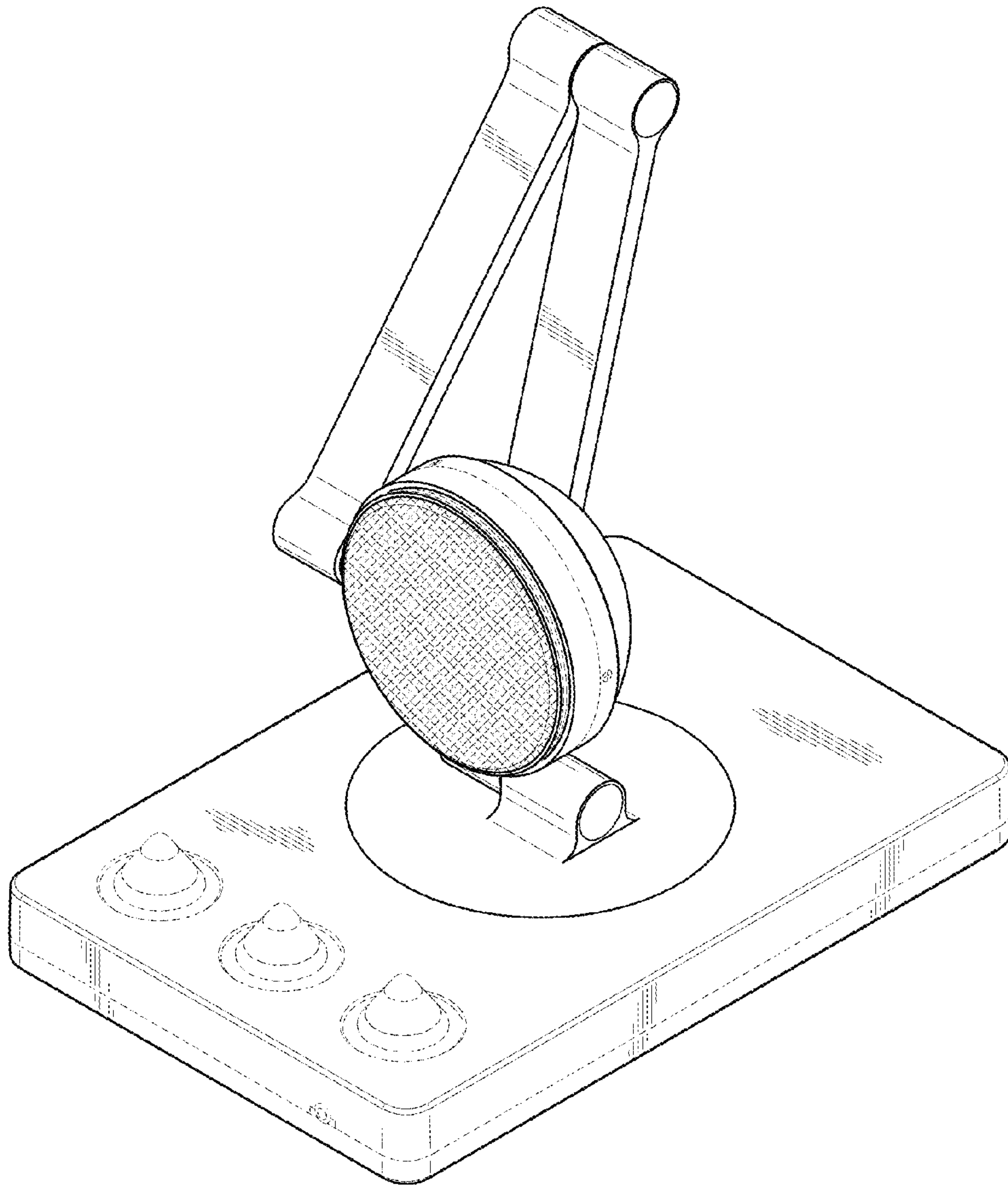


FIG. 1

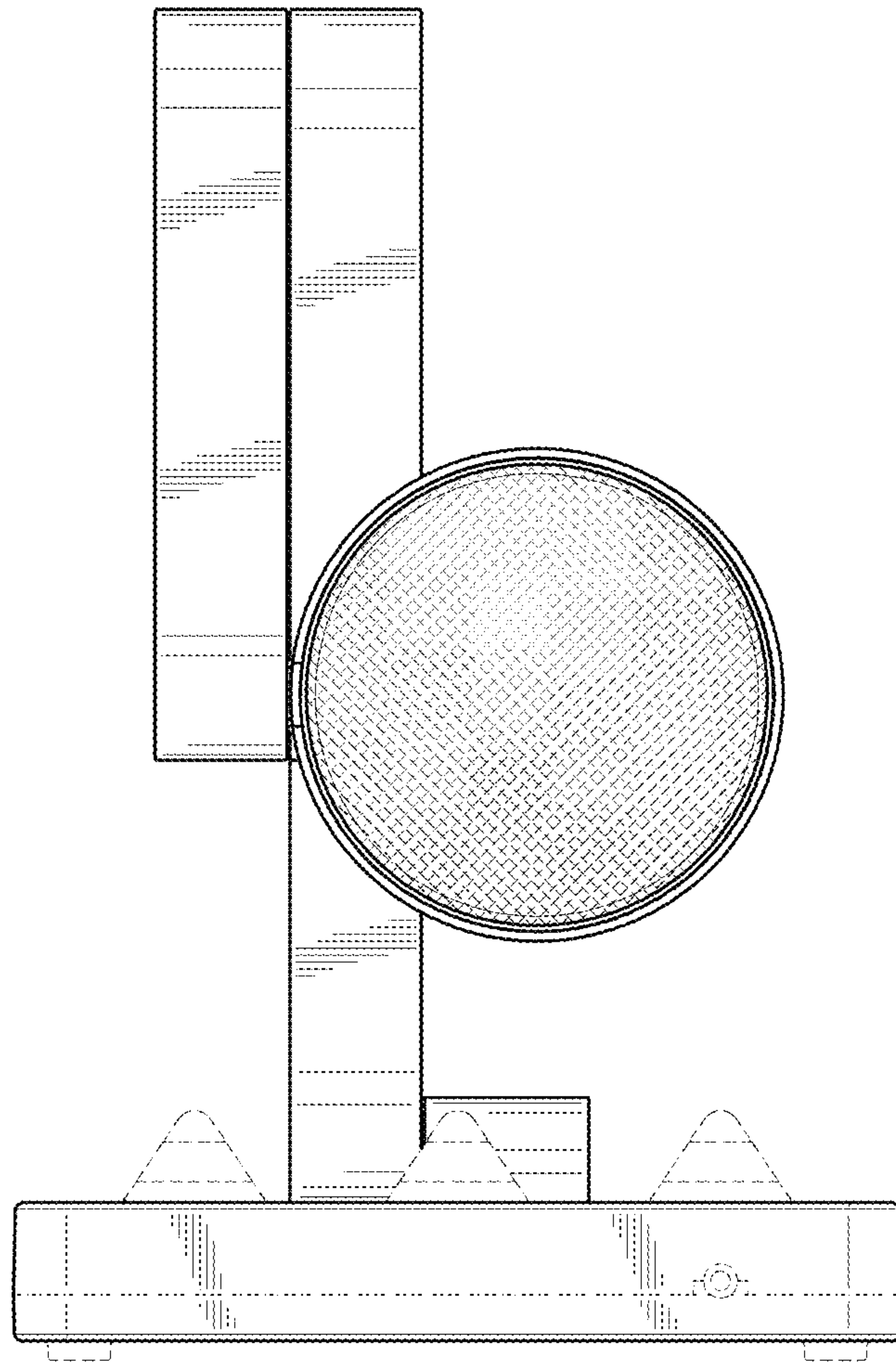


FIG. 2

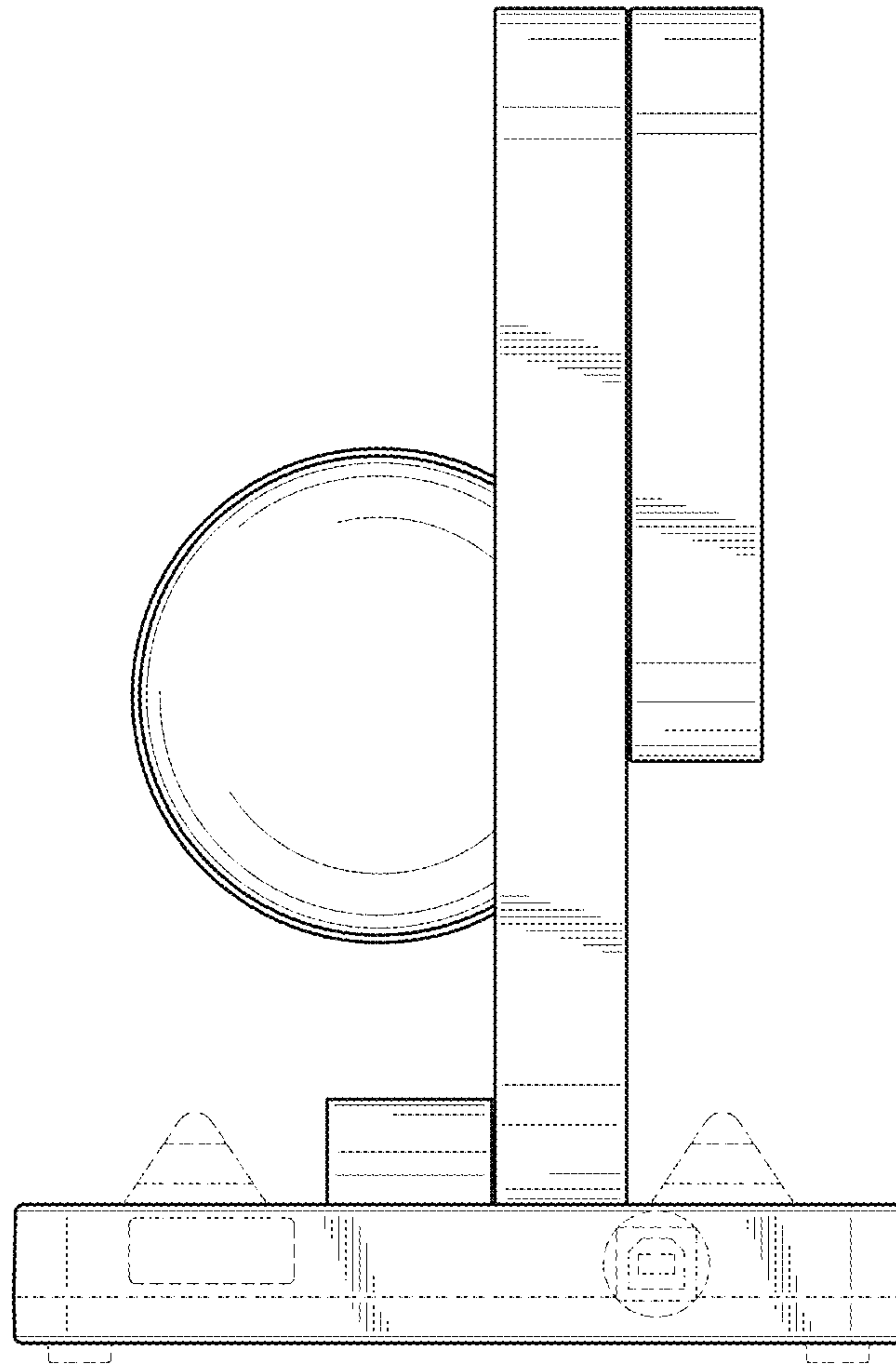


FIG. 3

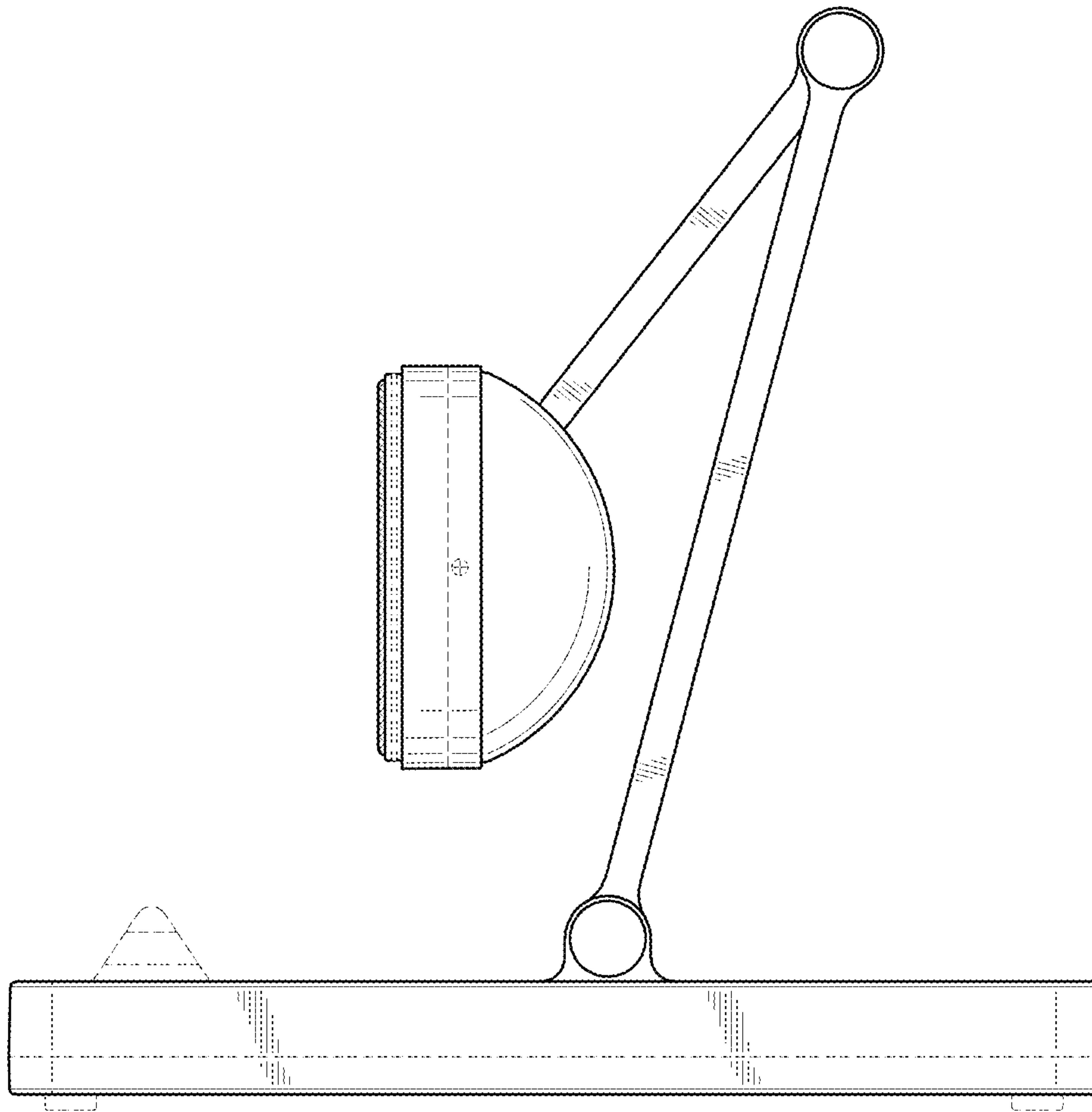


FIG. 4

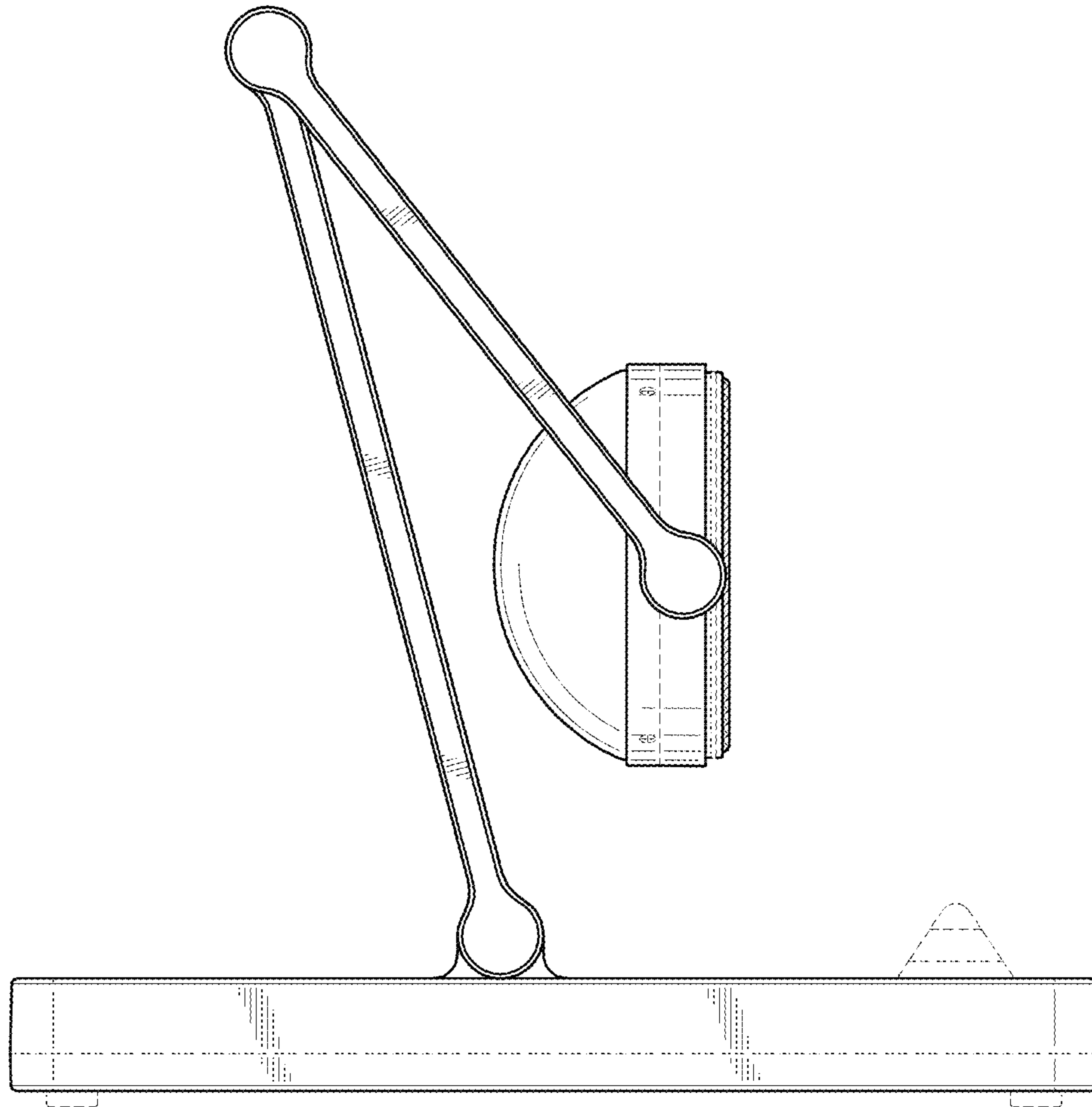


FIG. 5

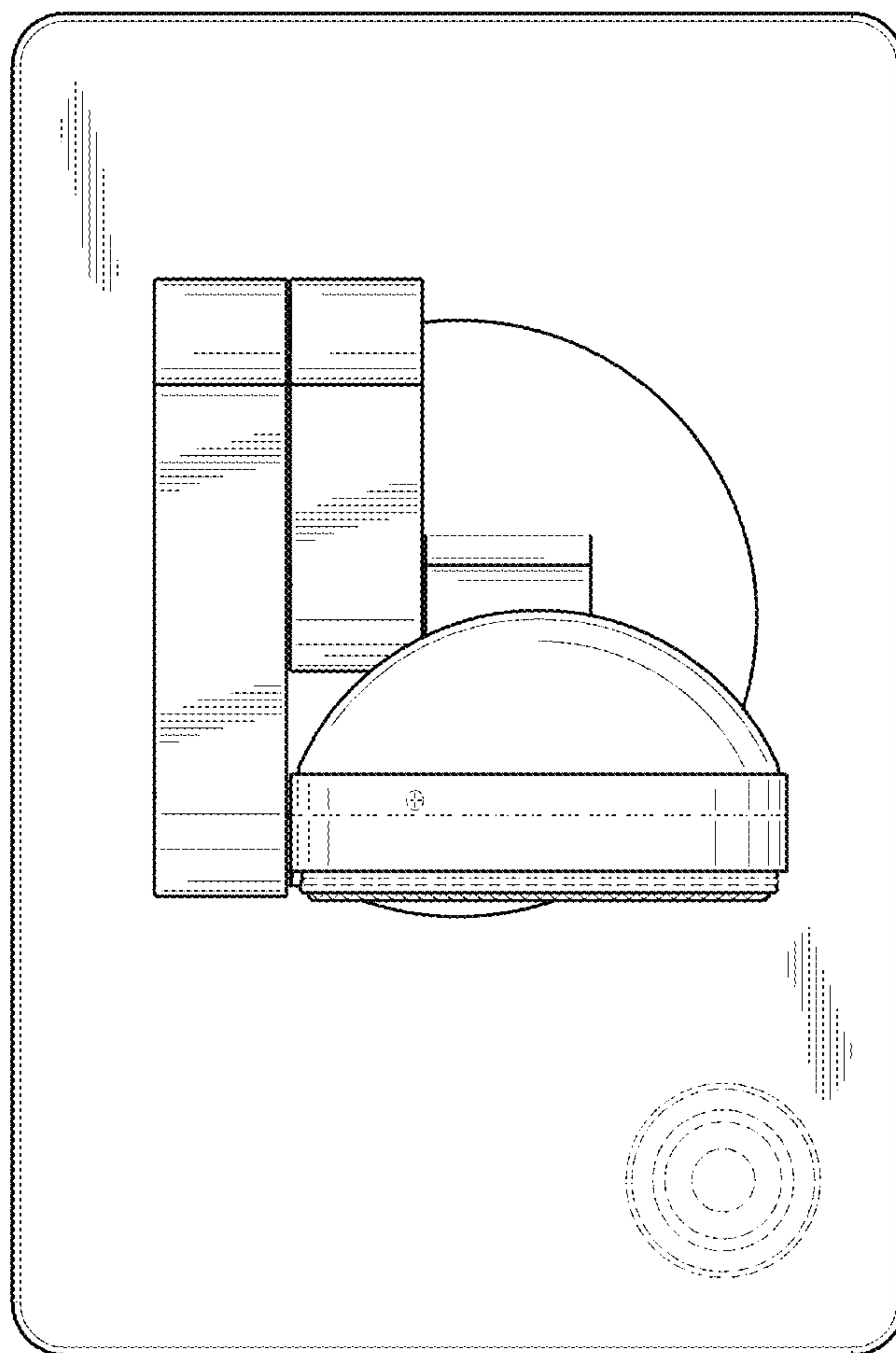


FIG. 6

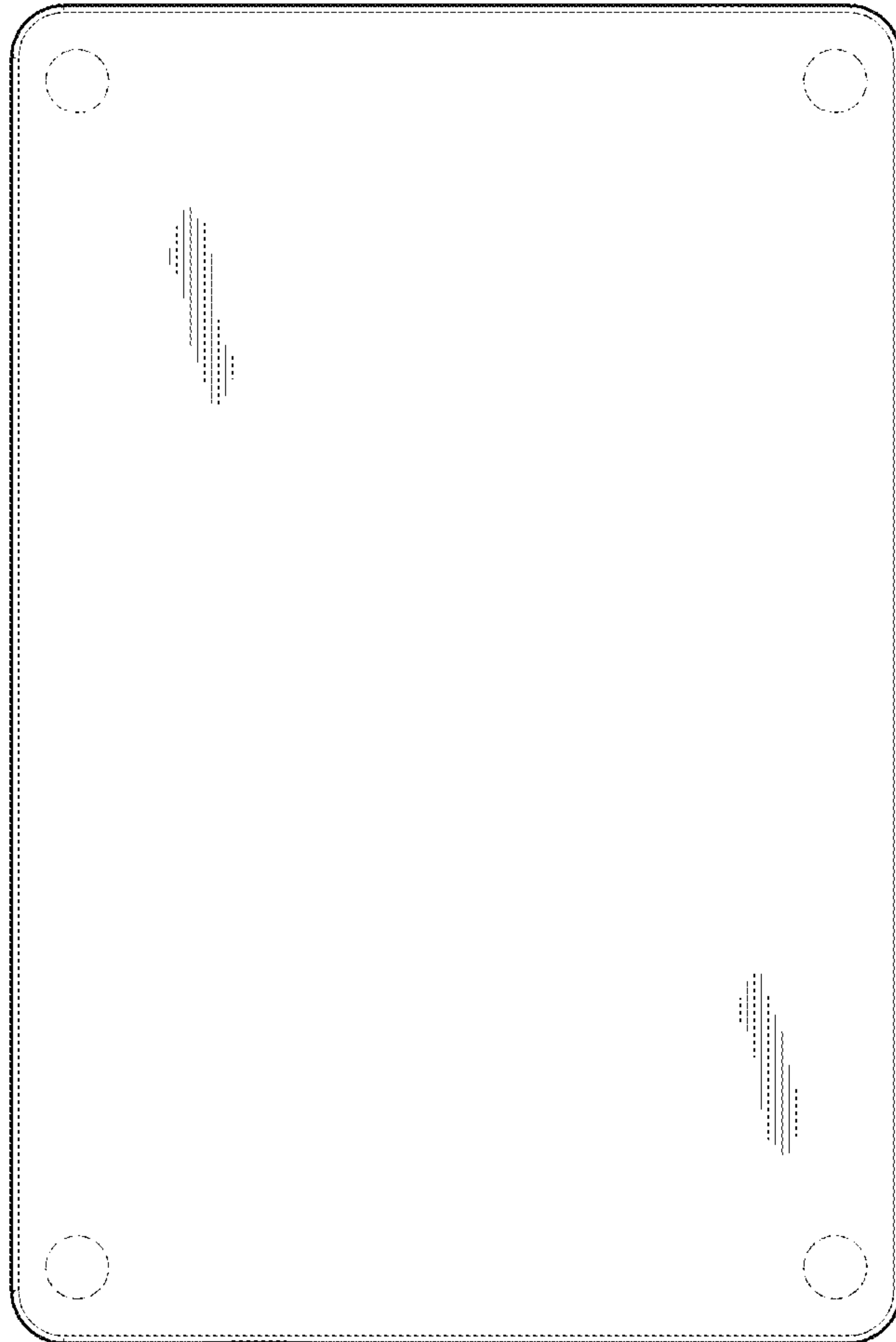


FIG. 7

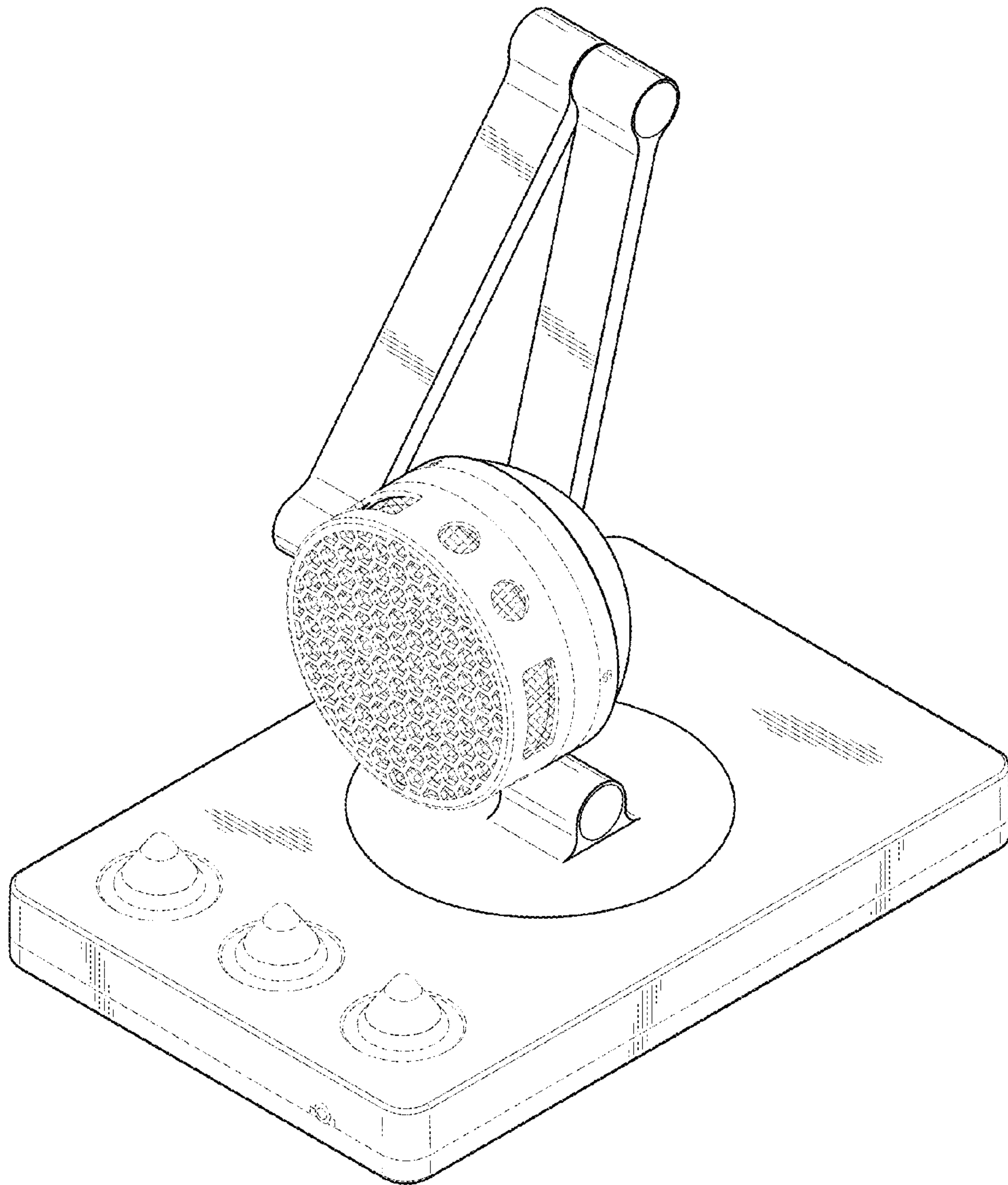


FIG. 8