



US00D746795S

(12) **United States Design Patent**  
**Burlingame et al.**

(10) **Patent No.:** **US D746,795 S**  
(45) **Date of Patent:** **\*\* Jan. 5, 2016**

(54) **PLAYBACK DEVICE**

H04N 5/642; H04N 21/4852; H04S 3/00;  
H04S 7/30; B60R 11/0217

(71) Applicant: **Sonos, Inc.**, Santa Barbara, CA (US)

See application file for complete search history.

(72) Inventors: **Gregory B. Burlingame**, Woburn, MA (US); **Mieko Kusano**, Santa Barbara, CA (US); **Wai-Loong Lim**, San Francisco, CA (US); **Jonathon Reilly**, Cambridge, MA (US); **Adrian Sesto**, Encino, CA (US)

(56) **References Cited**

U.S. PATENT DOCUMENTS

D559,197 S \* 1/2008 Lim et al. .... D13/162  
D575,801 S \* 8/2008 Kusano et al. .... D14/496  
D582,429 S \* 12/2008 Kusano et al. .... D14/496

(Continued)

(73) Assignee: **Sonos, Inc.**, Santa Barbara, CA (US)

OTHER PUBLICATIONS

(\*\*) Term: **14 Years**

CNET Reviews, "Definitive Technology Sound Cylinder: Definitive rolls out slick Sound Cylinder Bluetooth speaker", [http://reviews.cnet.com/portable-speakers/definitive-technology-sound-cylinder/4505-11313\\_7-35566924.html](http://reviews.cnet.com/portable-speakers/definitive-technology-sound-cylinder/4505-11313_7-35566924.html) (Last Accessed Feb. 25, 2013), 5 pages.

(Continued)

(21) Appl. No.: **29/510,404**

(22) Filed: **Nov. 26, 2014**

*Primary Examiner* — Keli L Hill

**Related U.S. Application Data**

(63) Continuation of application No. 29/446,524, filed on Feb. 25, 2013, now Pat. No. Des. 721,061.

(74) *Attorney, Agent, or Firm* — KPPB LLP

(51) **LOC (10) Cl.** ..... **14-03**

(57) **CLAIM**

The ornamental design for a playback device, as shown and described.

(52) **U.S. Cl.**

USPC ..... **D14/221**; D14/218

**DESCRIPTION**

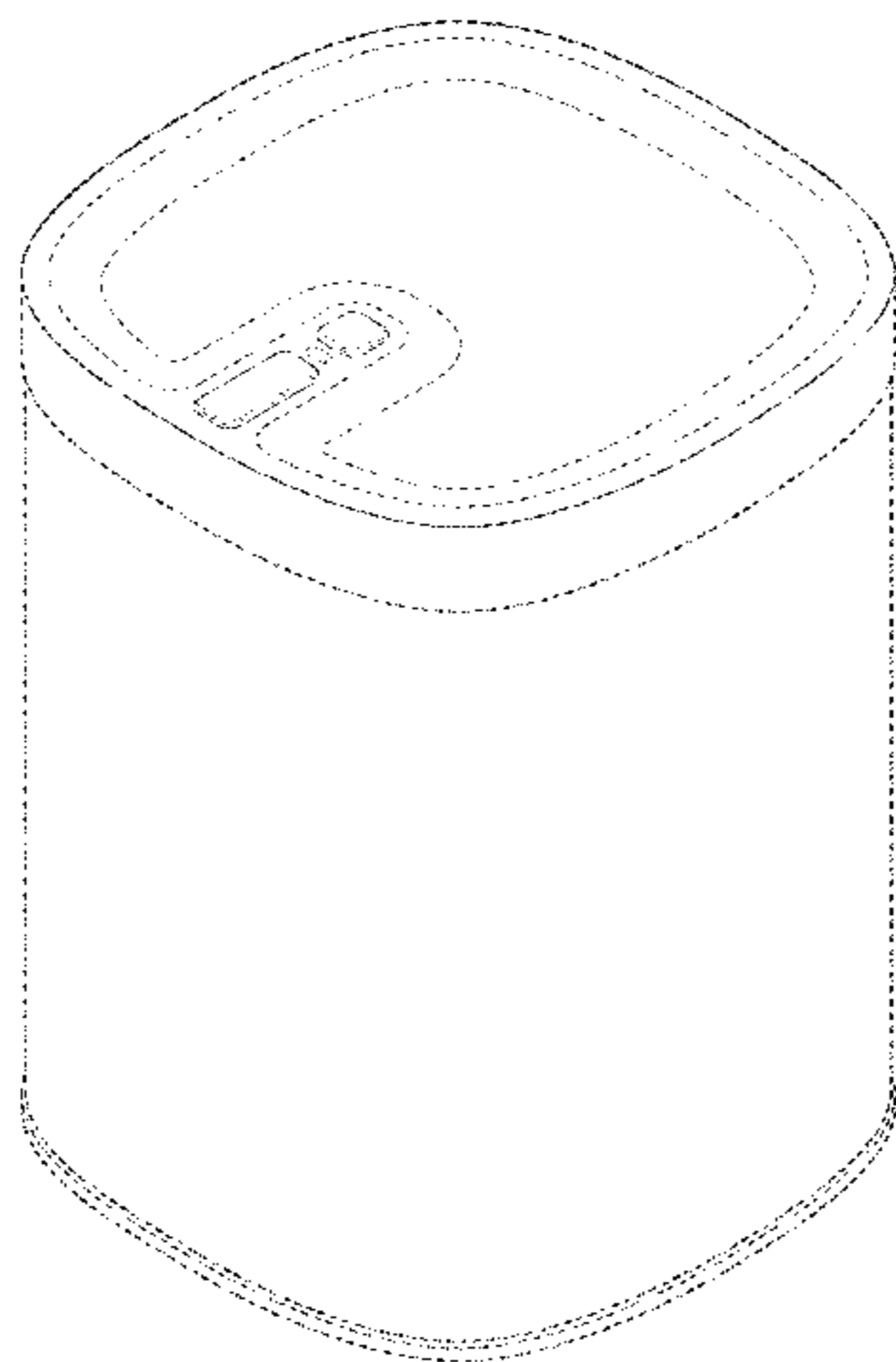
(58) **Field of Classification Search**

USPC ..... D14/167, 168, 170–172, 188, 194–196, D14/204, 207, 209.1, 210–217, 221, 222, D14/224, 432, 496, 218; 181/143, 144, 147, 181/148, 150, 153, 157, 198, 199; 381/300–303, 306, 332, 333, 336, 345, 381/361–364, 386–388; 369/6–12

CPC ..... H04M 1/03; H04M 1/035; H04R 1/02; H04R 1/06; H04R 1/021; H04R 1/025; H04R 1/026; H04R 1/105; H04R 1/323; H04R 1/345; H04R 1/403; H04R 1/2803; H04R 1/2834; H04R 5/02; H04R 7/20; H04R 9/06; H04R 9/025; H04R 2201/021; H04R 2400/07; H04R 2499/11; H04R 2499/13; H04R 2499/15; G06F 1/1688;

FIG. 1 is an isometric view of a playback device, showing our new design;  
FIG. 2 is an alternate isometric view thereof;  
FIG. 3 is a side elevation view thereof;  
FIG. 4 is a second side elevation view thereof;  
FIG. 5 is a third side elevation view thereof;  
FIG. 6 is a fourth side elevation view thereof;  
FIG. 7 is a top plan view thereof; and,  
FIG. 8 is a bottom plan view thereof.  
The broken lines shown are included for the purpose of illustrating portions of the playback device that form no part of the claim.

**1 Claim, 5 Drawing Sheets**



(56)

**References Cited**

U.S. PATENT DOCUMENTS

D622,710 S \* 8/2010 Goransson ..... D14/240  
D654,476 S \* 2/2012 Weitgasser ..... D14/218  
D674,778 S 1/2013 Skurdal  
D675,190 S 1/2013 Nylen  
D692,860 S 11/2013 Paterson  
D695,711 S 12/2013 Szymanski et al.  
D721,061 S \* 1/2015 Burlingame et al. .... D14/216

OTHER PUBLICATIONS

Ali Express, “Kadaer Cylinder Mini”, [http://www.aliexpress.com/store/group/audio/113449\\_211742368.html](http://www.aliexpress.com/store/group/audio/113449_211742368.html) (Last Accessed Feb. 25, 2013), 2 pages.  
Google Search, “B&W MM-1 Speakers—PC multimedia—wired”, <https://www.google.com/shopping/product/>

11800561382655422863?q=Bowers%20&%20Wilkins=&oq=Bowers+%26+Wilkins&gs\_l=products-cc.3..0I10.71820.76179.0.76394.16.5.0.11.11.0.129.354.4j1.5.0...0.0...1ac.1.4.products-cc.kgnKwdwrwO0&sa=X&ei=VMsnUZyWLunomAWSuYC4Dg&ved=0CGkQ8wIwAA (Last Accessed Feb. 25, 2013), 3 pages.  
Mike Yamamoto, “Some speakers are still firing on all cylinders”, CNET Reviews, [http://news.cnet.com/8301-17938\\_105-9829130-1.html](http://news.cnet.com/8301-17938_105-9829130-1.html), Dec. 5, 2007, 6 pages.  
Michael Trei, “RAAL Speakers fill your room with cylinders of sound”, DVICE, <http://www.dvice.com/archives/2009/10/raal-speakers-f.php>, Oct. 4, 2009, 3 pages.  
United States Patent and Trademark Office, “Notice of Allowance”, issued in connection with U.S. Appl. No. 29/446,524, mailed on Sep. 9, 2014, 48 pages.

\* cited by examiner

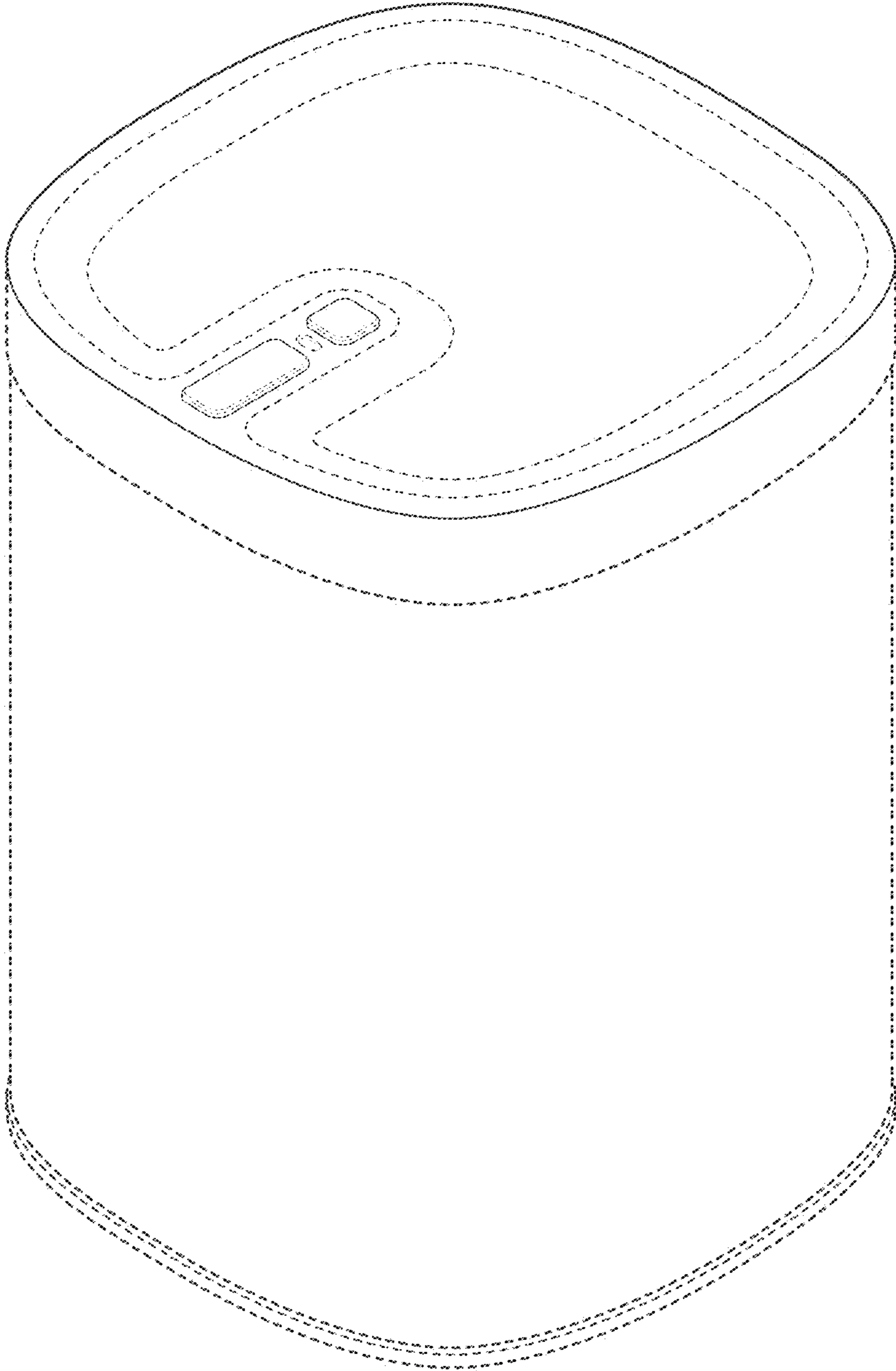


FIG. 1

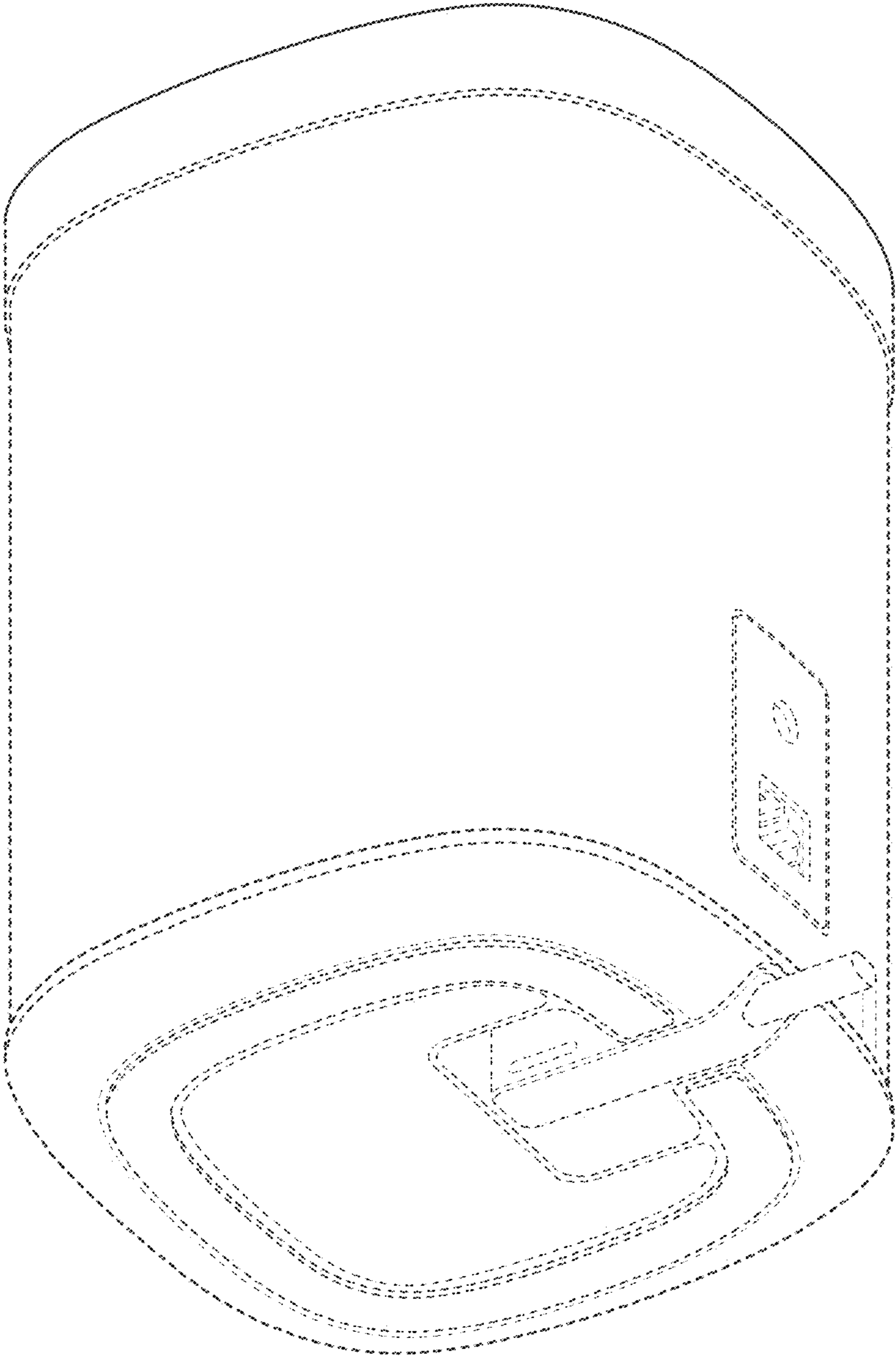


FIG. 2

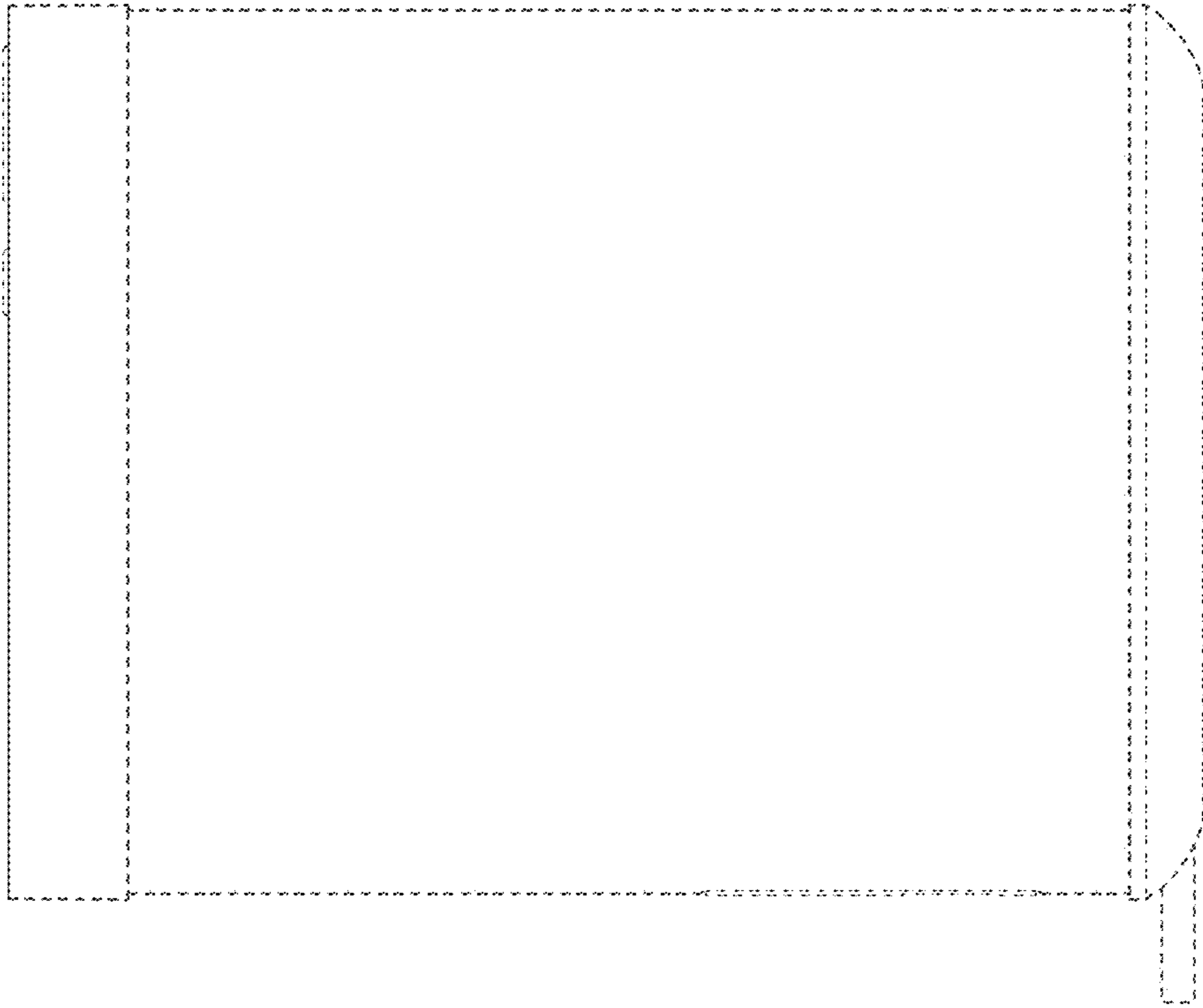


FIG. 4

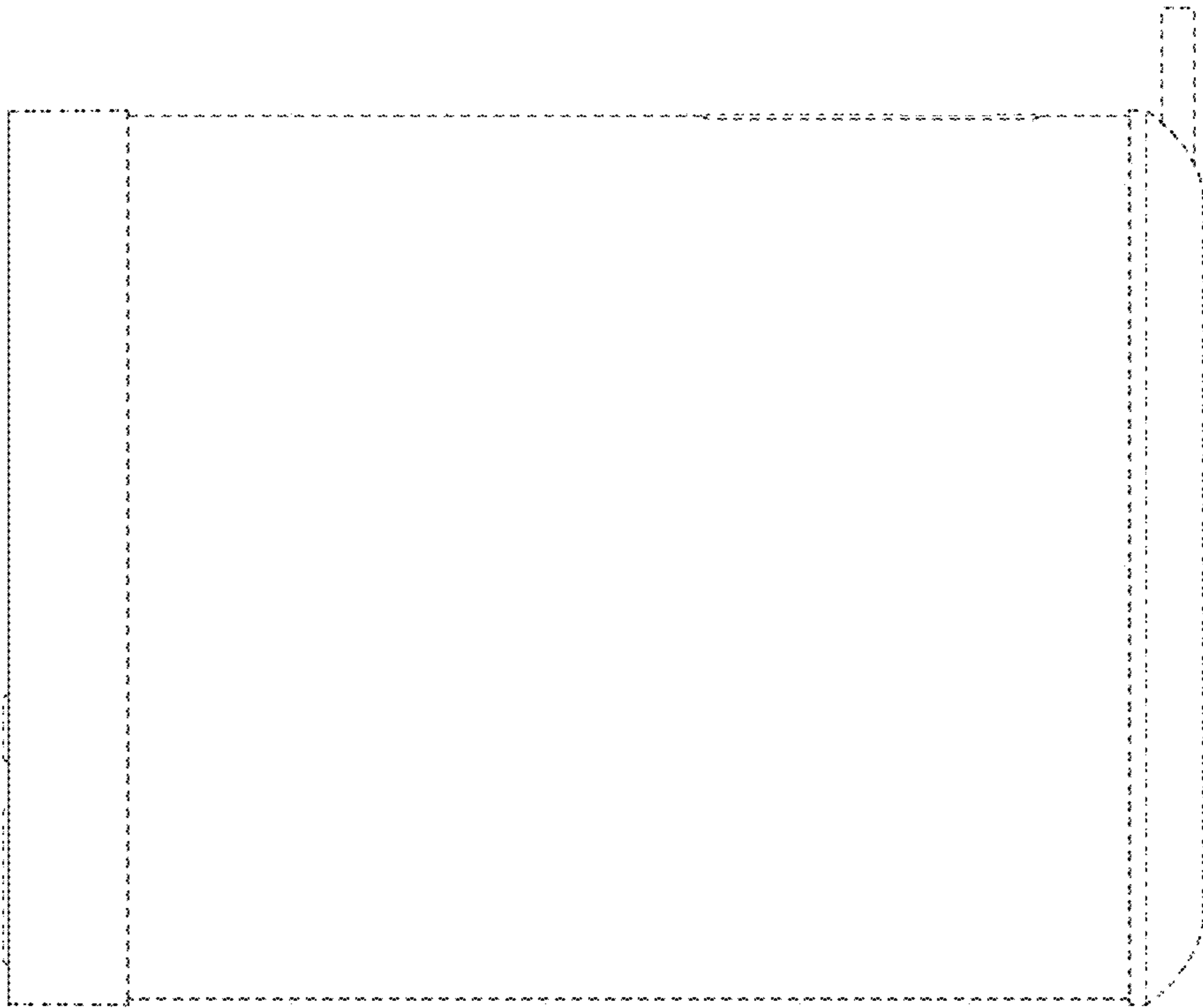


FIG. 3

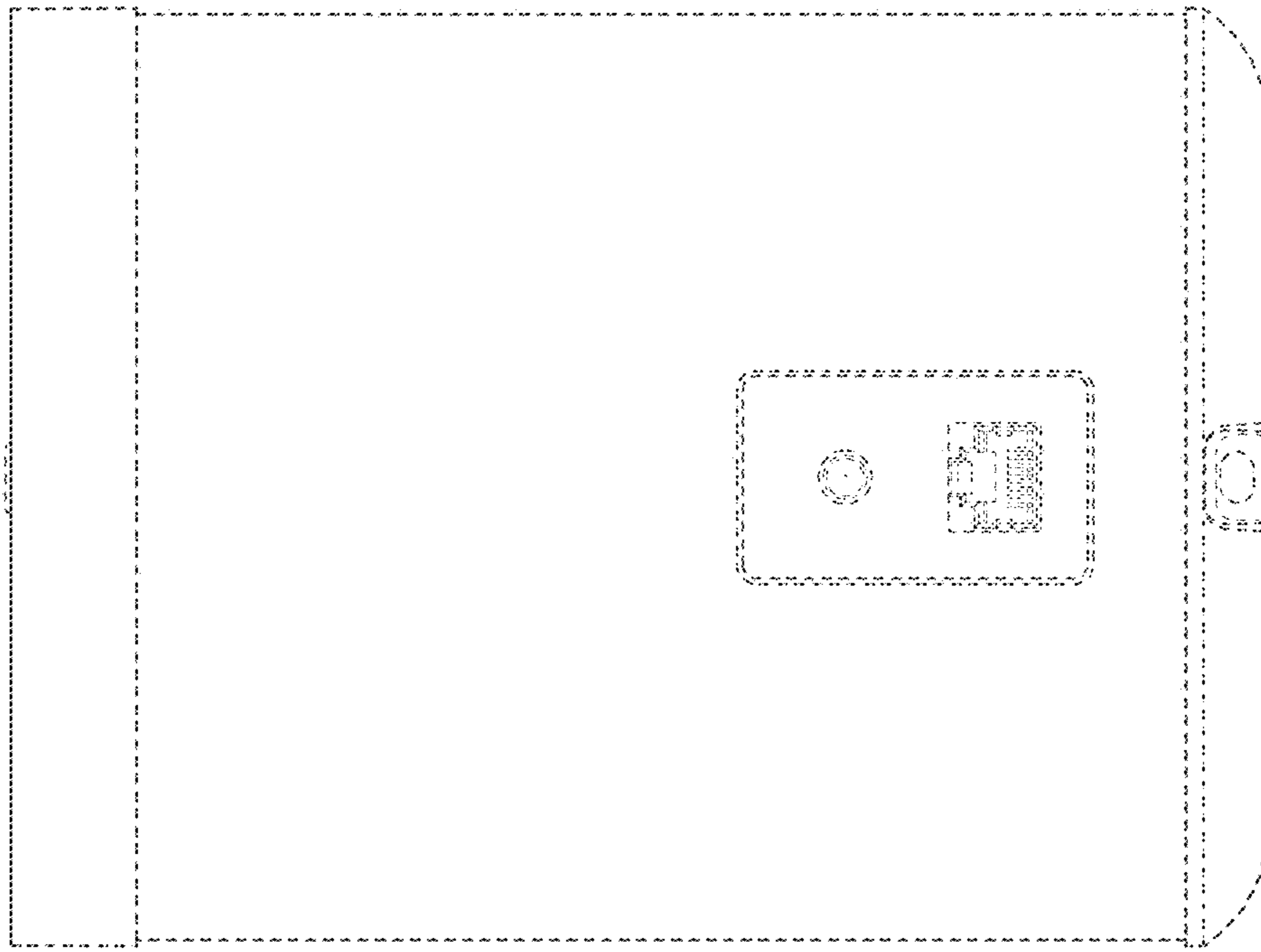


FIG. 6



FIG. 5

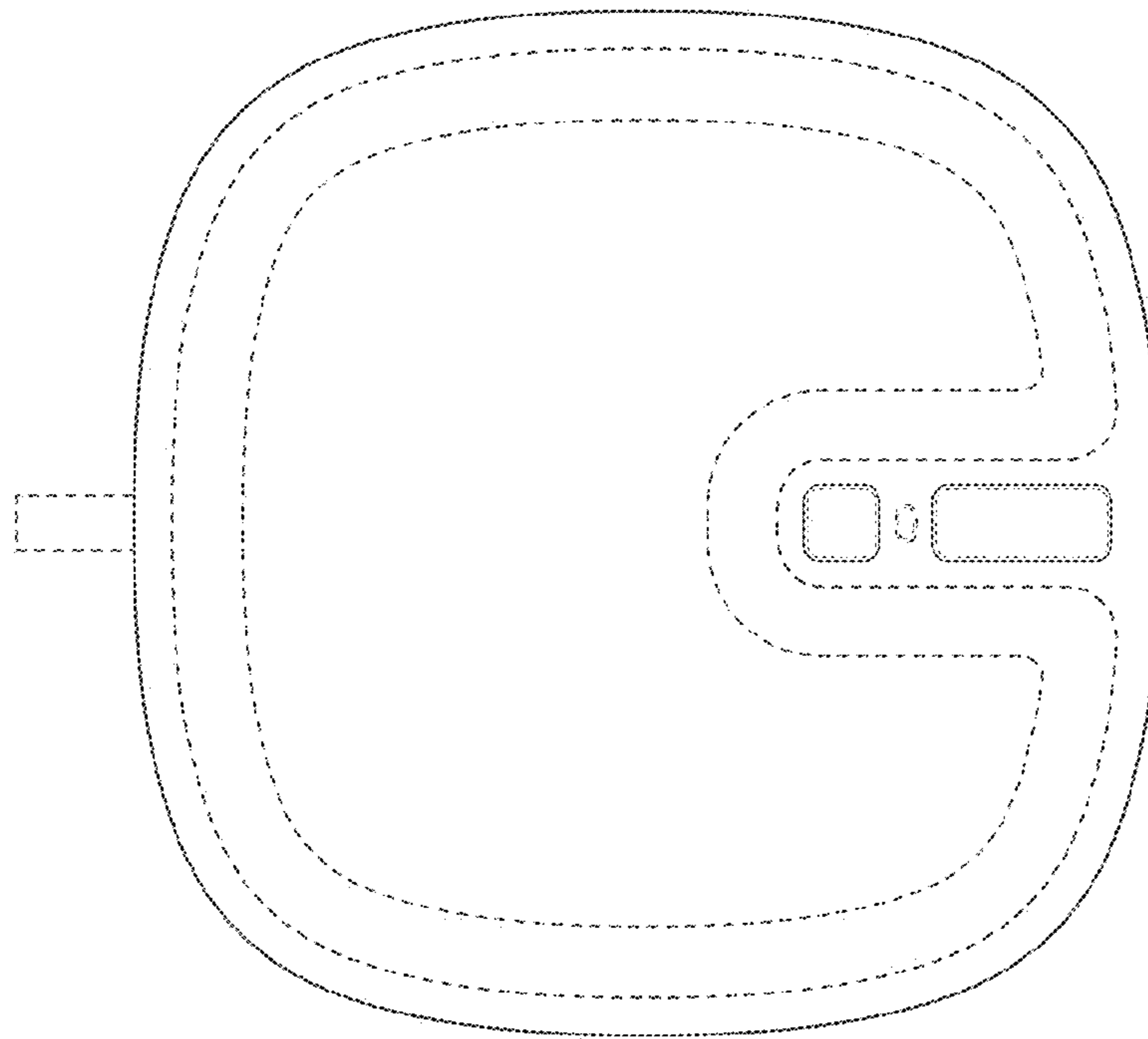


FIG. 7

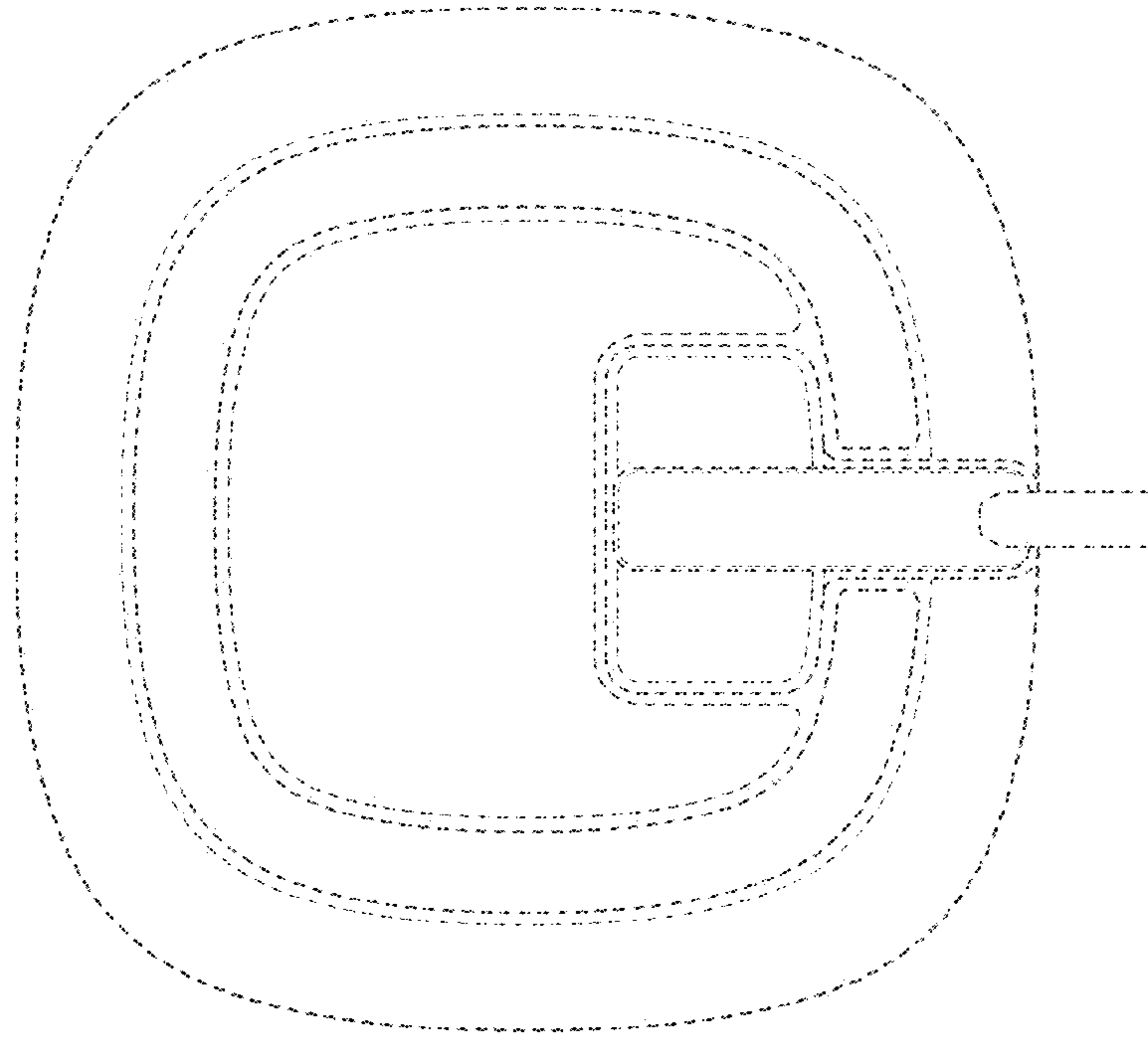


FIG. 8