



US00D746793S

(12) **United States Design Patent**
Logan

(10) **Patent No.:** **US D746,793 S**
(45) **Date of Patent:** **** Jan. 5, 2016**

(54) **MICROPHONE FOR GAMING HEADSET**

FOREIGN PATENT DOCUMENTS

(71) Applicant: **Voyetra Turtle Beach, Inc.**, Valhalla, NY (US)

EM 000180328-0002 5/2004
EM 000274634-0001 1/2005

(Continued)

(72) Inventor: **Andrew Logan**, Calabasas, CA (US)

OTHER PUBLICATIONS

(73) Assignee: **Voyetra Turtle Beach, Inc.**, Valhalla, NY (US)

Surround Sound PC Gaming Headset PC 363D, <http://en-us.sennheiser.com/gaming-headset-pc-363d> (accessed Jun. 5, 2015).

(Continued)

(**) Term: **15 Years**

(21) Appl. No.: **29/529,085**

Primary Examiner — Susan Bennett Hattan

(22) Filed: **Jun. 3, 2015**

Assistant Examiner — Janice Hallmark

(51) **LOC (10) Cl.** **14-01**

(74) *Attorney, Agent, or Firm* — McAndrews Held & Malloy, Ltd.

(52) **U.S. Cl.**

USPC **D14/206**; D14/226

(58) **Field of Classification Search**

USPC D14/192, 205, 206, 223, 224, 224.1, D14/225, 226, 228; 381/374, 375, 376, 380, 381/381, 382, 385; 181/128-130; D24/174

CPC H04R 2201/107; H04R 2420/09

See application file for complete search history.

(57) **CLAIM**

The ornamental design for a microphone for gaming headset, as shown and described.

(56) **References Cited**

DESCRIPTION

U.S. PATENT DOCUMENTS

D159,223 S	4/1950	Olson	
D194,408 S	1/1963	Wentworth-Jessop	
D197,012 S	12/1963	Dreyfuss	
D226,273 S *	2/1973	Tyson	D14/206
D248,231 S	6/1978	Goldman et al.	
D280,323 S	8/1985	Scheid et al.	
D287,849 S	1/1987	O'Malley et al.	
D299,643 S	1/1989	Kubota	
D319,241 S	8/1991	Daido et al.	
D321,350 S	11/1991	Phelan	
D328,074 S	7/1992	Yamazaki et al.	
D345,162 S	3/1994	Yamatogi	
D345,163 S	3/1994	Yamatogi	
D352,039 S	11/1994	Yurkonis et al.	
D369,604 S	5/1996	Morimiya	

FIG. 1 is a front perspective view of a microphone for gaming headset showing my new design;

FIG. 2 is a front view thereof;

FIG. 3 is a rear view thereof;

FIG. 4 is a right-side elevation view thereof;

FIG. 5 is a left-side elevation view thereof;

FIG. 6 is a top plan view thereof;

FIG. 7 is a bottom plan view thereof; and,

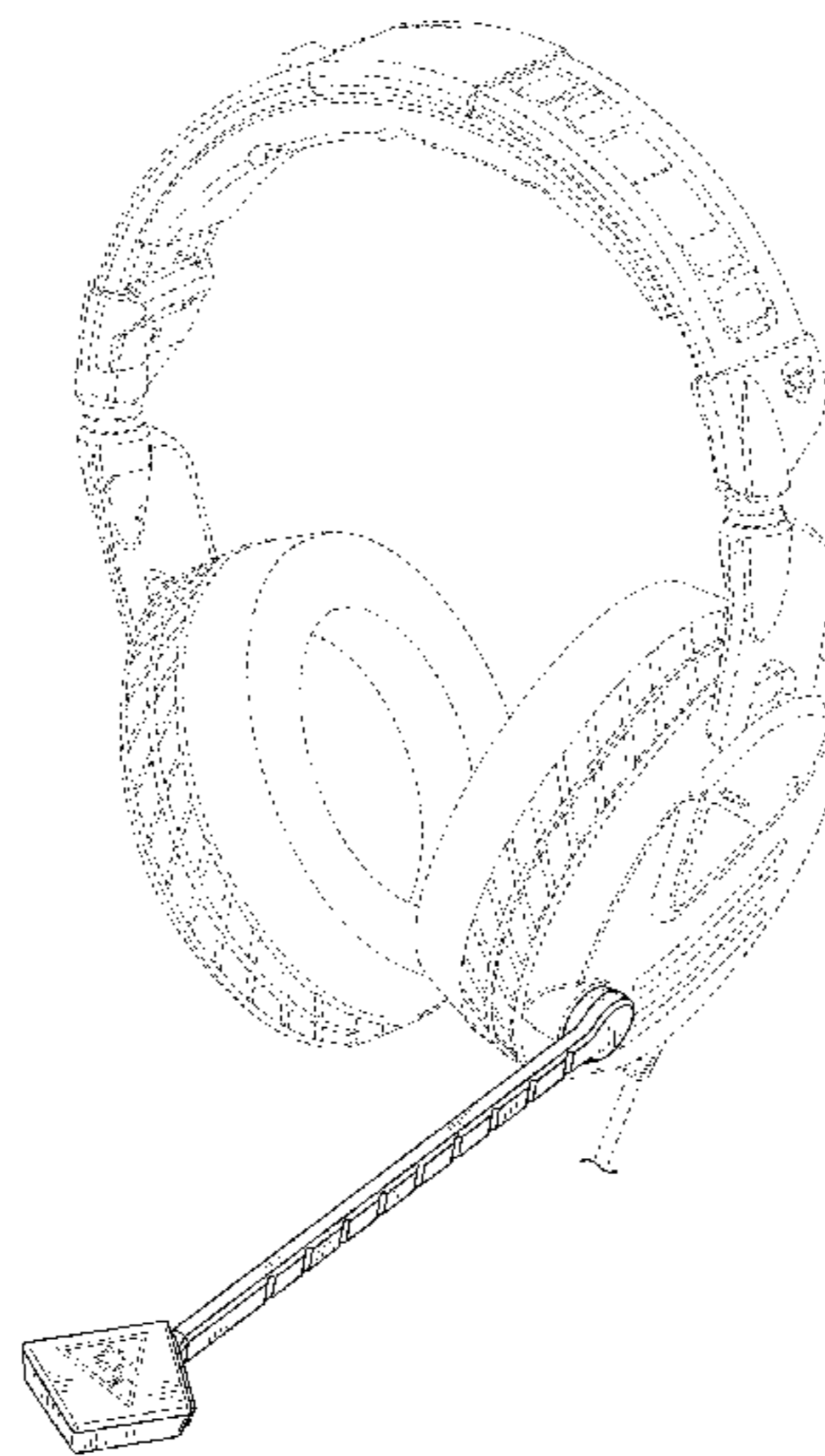
FIG. 8 is a rear perspective view thereof.

The broken lines in the drawings depict environmental subject matter only and form no part of the claimed design.

The wavy black line at the end of the cable represents an unclaimed boundary line and forms no part of the claimed design.

(Continued)

1 Claim, 8 Drawing Sheets



(56)

References Cited

U.S. PATENT DOCUMENTS

D377,174	S	1/1997	Runquist	
D385,272	S	10/1997	Jensen et al.	
D405,449	S	2/1999	Nakamura et al.	
D409,150	S	5/1999	Davis et al.	
D423,012	S	4/2000	Yasutomi	
D429,253	S	8/2000	Robertson et al.	
D430,140	S	8/2000	Roman	
D435,249	S	12/2000	Yasutomi	
D436,095	S	1/2001	Schmidt et al.	
D443,603	S	6/2001	Taylor et al.	
D458,246	S	6/2002	Davies et al.	
D468,722	S	1/2003	Schmidt et al.	
D468,723	S	1/2003	Pham et al.	
D476,645	S	7/2003	Padala et al.	
D480,072	S *	9/2003	Ham	D14/223
D515,074	S *	2/2006	Jacobson et al.	D14/225
D648,330	S *	11/2011	Fischer	D14/226
D653,649	S *	2/2012	Yang et al.	D14/206
D681,014	S *	4/2013	Ham et al.	D14/223
D684,145	S *	6/2013	Rath	D14/224
D691,112	S *	10/2013	Brunner et al.	D14/206
D691,113	S *	10/2013	Gougherty et al.	D14/206
D692,410	S *	10/2013	Brunner et al.	D14/206
D692,853	S *	11/2013	Nokuo	D14/205
8,593,374	B2 *	11/2013	Kato et al.	345/8
RE44,672	E	12/2013	Yang et al.	
D706,244	S *	6/2014	Goransson	D14/225
D709,860	S *	7/2014	Brunner et al.	D14/205
RE45,056	E	8/2014	Yang et al.	
D716,760	S *	11/2014	Brunner et al.	D14/206
D716,762	S *	11/2014	Greve	D14/206
D717,767	S *	11/2014	Mistry et al.	D14/206
D723,511	S *	3/2015	Pedersen	D14/206
D724,562	S *	3/2015	Sparks et al.	D14/206
D732,503	S *	6/2015	Brunner et al.	D14/205
D734,298	S *	7/2015	Tatkon-Coker et al.	D14/206
2005/0201569	A1 *	9/2005	Kuraoka et al.	381/74
2011/0194721	A1 *	8/2011	Schmidt et al.	381/370
2014/0241560	A1 *	8/2014	Shimizu	381/375

FOREIGN PATENT DOCUMENTS

EM	000291745-0001	2/2005
EM	000991799-0001	8/2008
EM	001142582-0001	6/2009
EM	001309157-0001	1/2012
EM	001309157-0002	1/2012
EM	002011197-0001	3/2012
EM	002011197-0002	3/2012
EM	002124107-0001	10/2012
EM	001373476-0001	5/2013
EM	001373476-0002	5/2013
EM	001373476-0003	5/2013
WO	DM/055161	9/2000
WO	DM/081648	4/2013

OTHER PUBLICATIONS

Headphones with microphone vector icon, <http://www.shutterstock.com/pic-154701656/stock-vector-headphones-with-microphone-vector-icon.html> (accessed Jun. 5, 2015).
 Original SADES SA-708 pc gamer headset dj studio headphone with microphone game earphones voice headset with mic, <http://www.aliexpress.com/item/Original-SADES-SA-708-PC-Gamer-Headset-DJ-Studio-Headphone-With-Microphone-Game-Earphones-Voice-Headset/1979402346.html?s=p> (accessed Jun. 5, 2015).
 Cosonic CT-800 Gaming On-Ear Headphone with Mic for Computer, http://www.alibaba.com/product-detail/Cosonic-CT-800-Gaming-On-Ear_1984968377.html (accessed Jun. 5, 2015).

Lupuss G1 desktop earphones headset bass voice headset microphone CF, http://www.aliexpress.com/store/product/Lupuss-g1-desktop-earphones-headset-bass-voice-headset-microphone-cf/1686403_32278789265.html (accessed Jun. 5, 2015).
 Headphones with microphone, <http://depositphotos.com/5237432/stock-photo-headphones-with-microphone.html> (accessed Jun. 5, 2015).
 Vector—Realistic illustration of headset, http://www.123rf.com/photo_7588899_realistic-illustration-of-headset.html (accessed Jun. 5, 2015).
 Beyerdynamic DT 109 Headset 400 ohms, with 200 ohms mic, grey, http://www.canford.co.uk/Products/54-109_BEYERDYNAMIC-DT-109-HEADSET-400-ohms-with-200-ohms-mic-grey (accessed Jun. 5, 2015).
 SOMIC® G909 7.1CH Sound Effect Stereo Gaming Wired Headset with Microphone Vibration Bass Speakers and Soft Earpads, <http://www.gumptrade.com/computer-accessories/gaming-headsets/g909-7-1ch-stereo-gaming-wired-headset-microphone-with-vibration-increasing-bass-speakers-and-soft-earpads.html> (accessed Jun. 5, 2015).
 Yellow headset with microphone isolated on white background, http://www.123rf.com/photo_12023794_yellow-headset-with-microphone-isolated-on-white-background_html?term=headset (accessed Jun. 5, 2015).
 SurroFree Shipping Deep Bass Sound Light Stereo Game Headset Gaming Headphones Computer Earphones With Microphone for PC Gamer, http://www.aliexpress.com/store/product/Surround-Sound-Game-Headset-Gaming-Headphones-With-Microphone-for-PC-Gamer-Game-Earphones-Voice-Headset/1302088_2008019493.html (accessed Jun. 5, 2015).
 Kanen KM-780 Head-band Type 3.5mm-plug Wired Stereo Computer PC Headphone Headset with Microphone, <http://www.buysku.com/wholesale/kanen-km-780-head-band-type-3-5mm-plug-wired-stereo-computer-pc-headphone-headset-with-microphone-black.html> (accessed Jun. 5, 2015).
 Tritton Kama Stereo Headset for Xbox One and Mobile Devices, <http://www.amazon.com/TRITTON-Kama-Stereo-Headset-Mobile-Devices/dp/B00KWADZY6> (accessed Jun. 5, 2015).
 Idomax HF-290 USB Stereo Gaming Headset with Microphone, <http://www.shopmania.com/headphones/p-idomax-hf-290-usb-stereo-gaming-headset-w-microphone-black-231237613> (accessed Jun. 5, 2015).
 Razer Chimaera 5.1 Wireless Gaming Headset Review, <http://www.ign.com/articles/2011/08/09/razer-chimaera-5-1-wireless-gaming-headset-review> (accessed Jun. 5, 2015).
 Kinbas Stereo Headset Headband PC Notebook Gaming Headset With Microphone Black, <http://www.ebay.com.au/itm/Kinbas-Stereo-Headset-Headband-PC-Notebook-Gaming-Headset-With-Microphone-Black-1390675126827> (accessed Jun. 5, 2015).
 Intex Streak Headset—IT-HS501, <https://www.mystore.lk/intex-streak-headset-it-hs501> (accessed Jun. 5, 2015).
 Headset Classic Round Sticker, http://www.zazzle.ca/headset_classic_round_sticker-217639861761597142 (accessed Jun. 5, 2015).
 Gaming Headset Buyer's Guide: Tritton Ghost Recon Future Soldier 7.1, <http://www.ripen.com/2012/05/28/gaming-headset-buyers-guide-tritton-ghost-recon-future-soldier-7-1/> (accessed Jun. 5, 2015).
 Sennheiser MB Pro 2 Premium Double-Sided Bluetooth Headset, <http://www.voiplink.com/headsets/bluetooth-headsets/sennheiser-mb-pro-2-premium-double-sided-bluetooth-headset-506044-new.html> (accessed Jun. 5, 2015).
 Sennheiser E906 Instrumental Microphone, <http://www.acclaim-music.com/Sennheiser-E906-Instrumental-Microphone.html> (accessed Jun. 5, 2015).
 Black Microphone, <http://recordinghacks.com/2012/07/20/le Witt-Ict640-review/> (accessed Jun. 5, 2015).

* cited by examiner

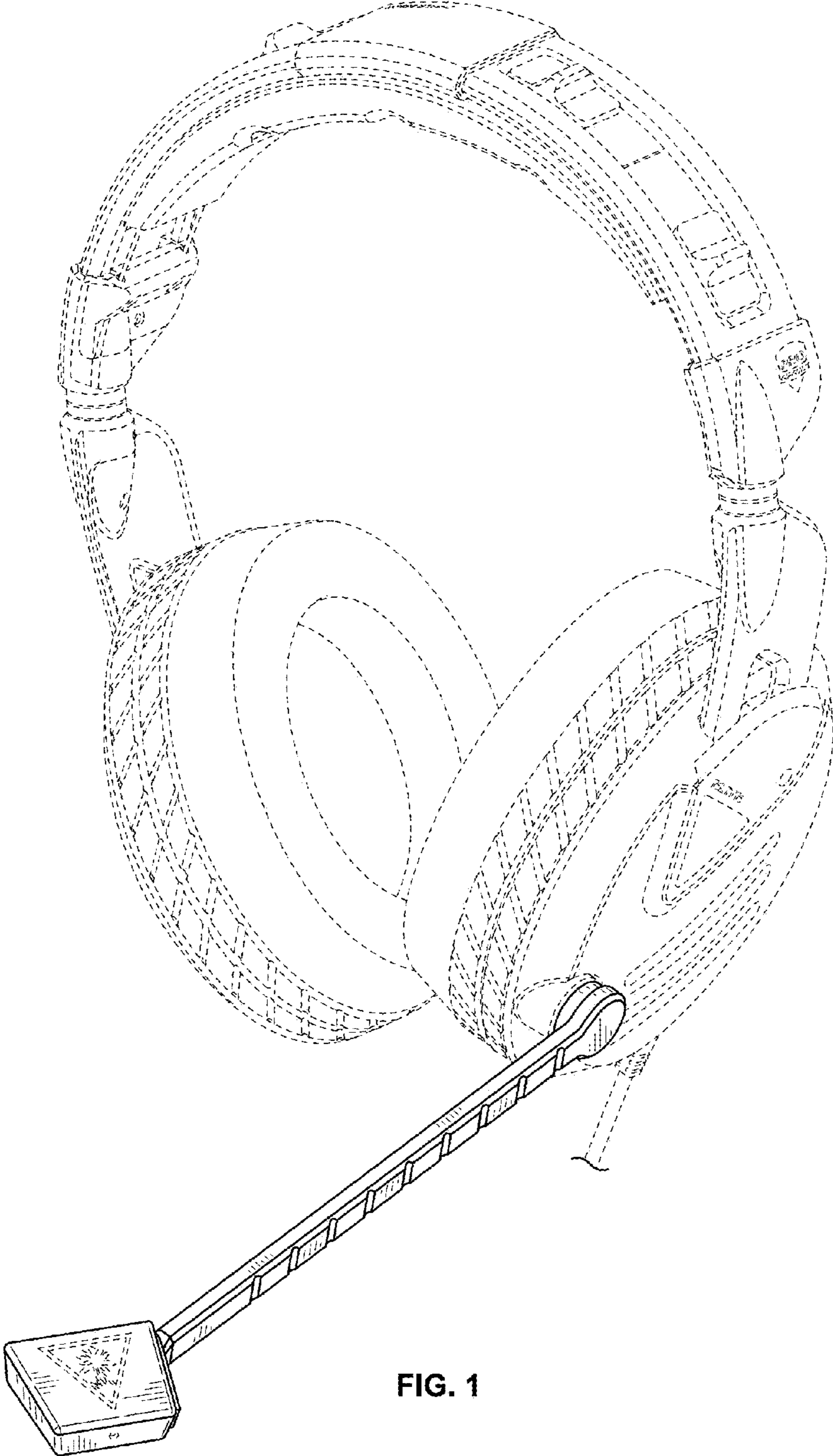


FIG. 1

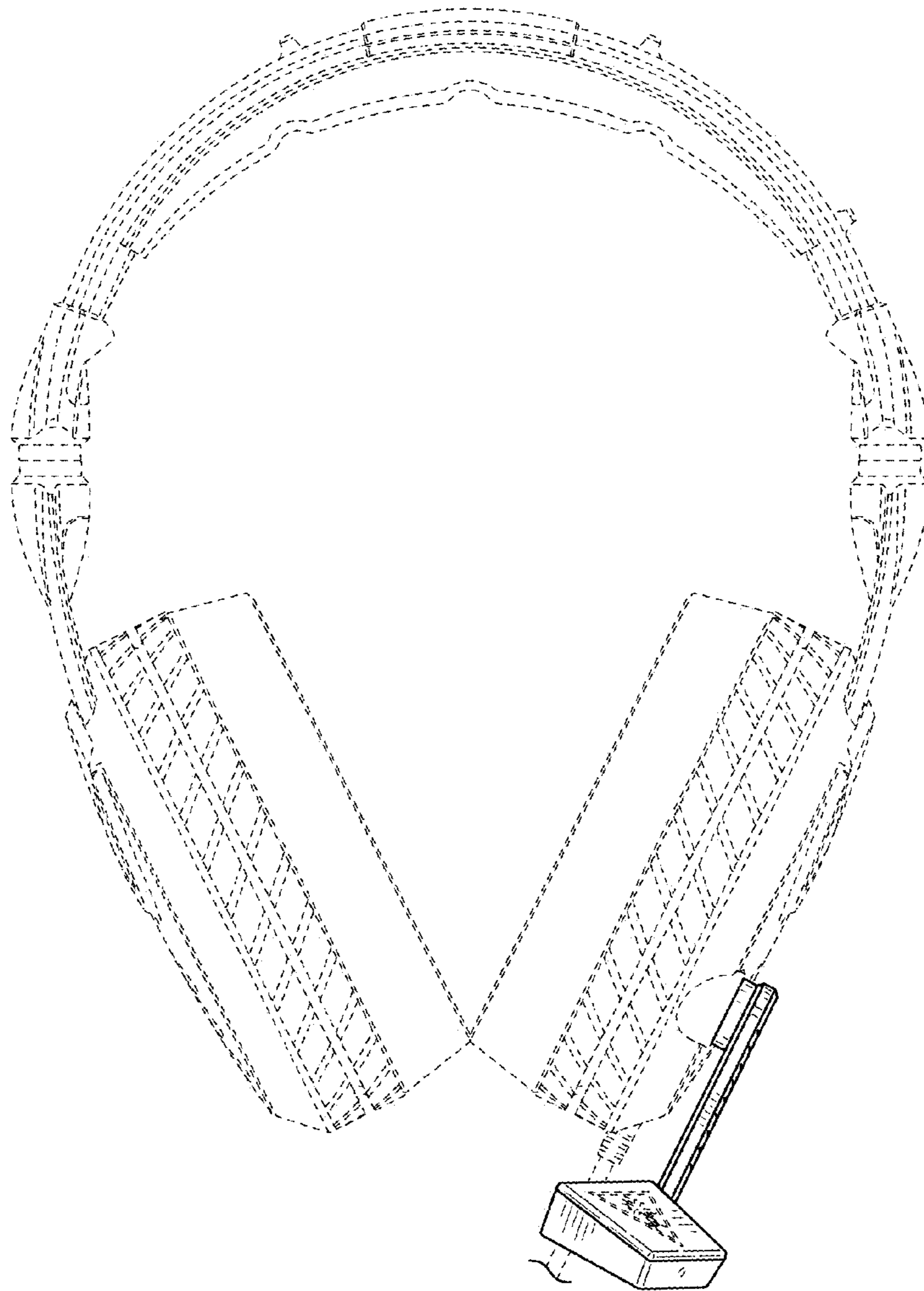


FIG. 2

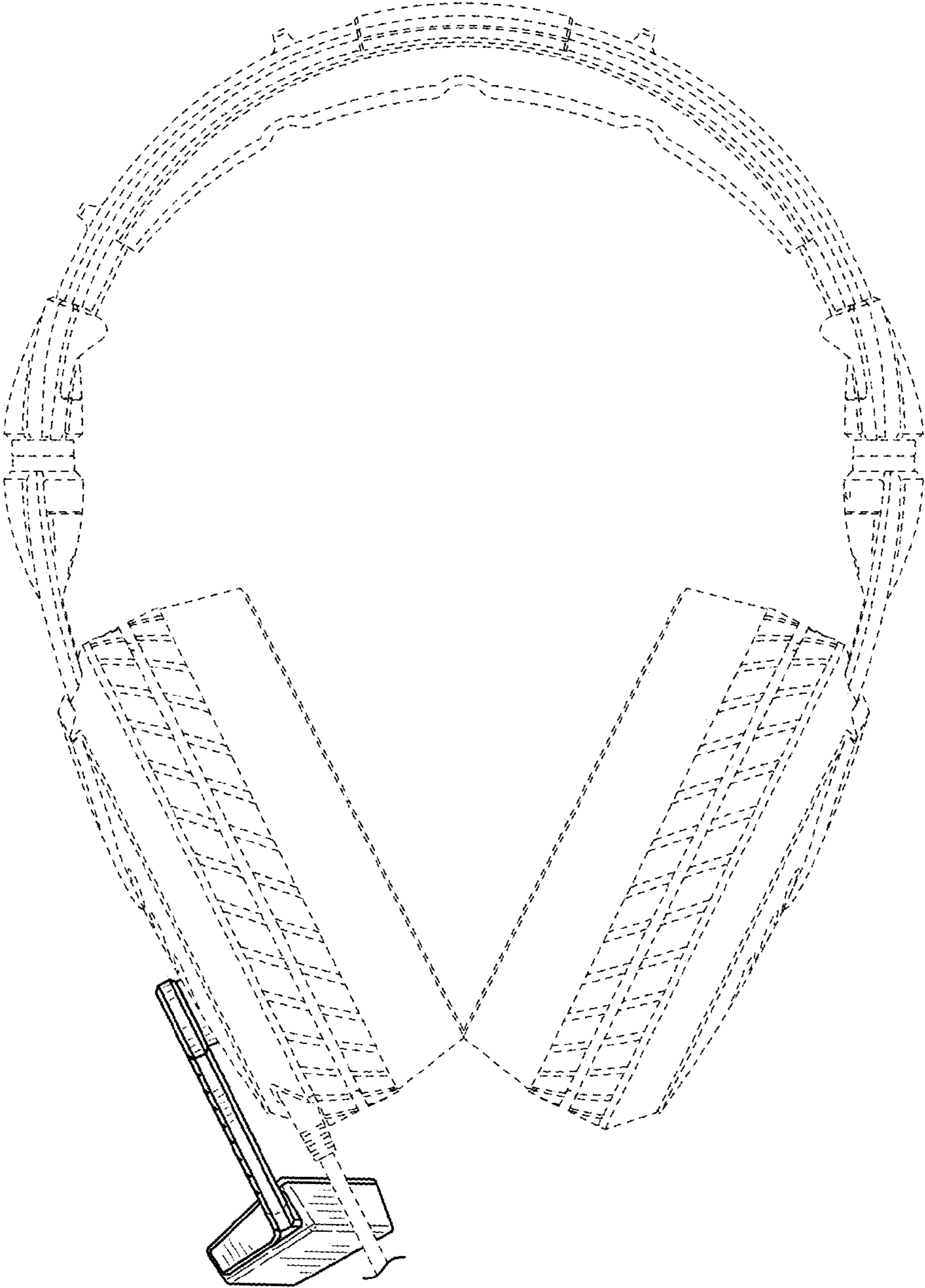


FIG. 3

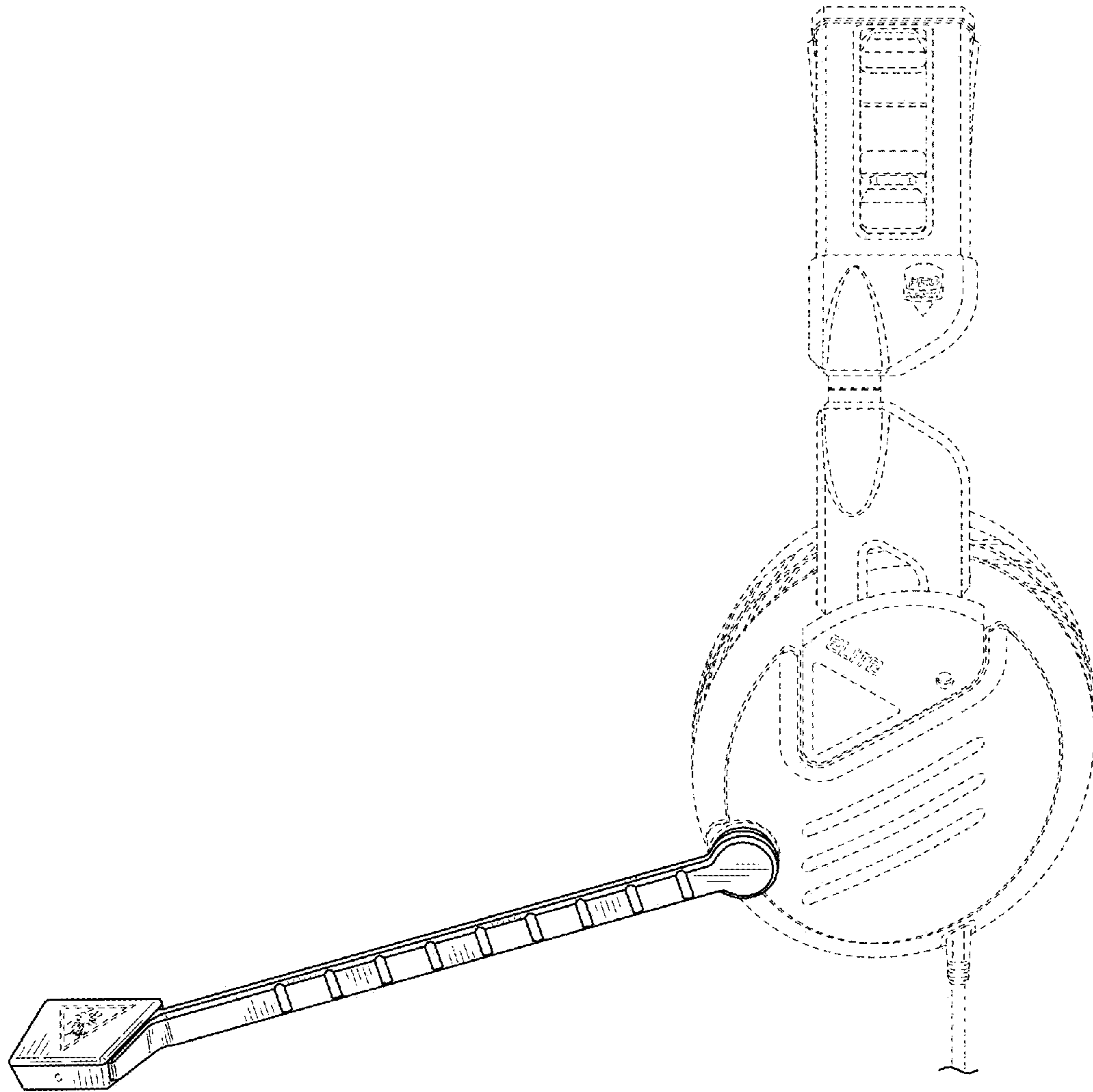


FIG. 4

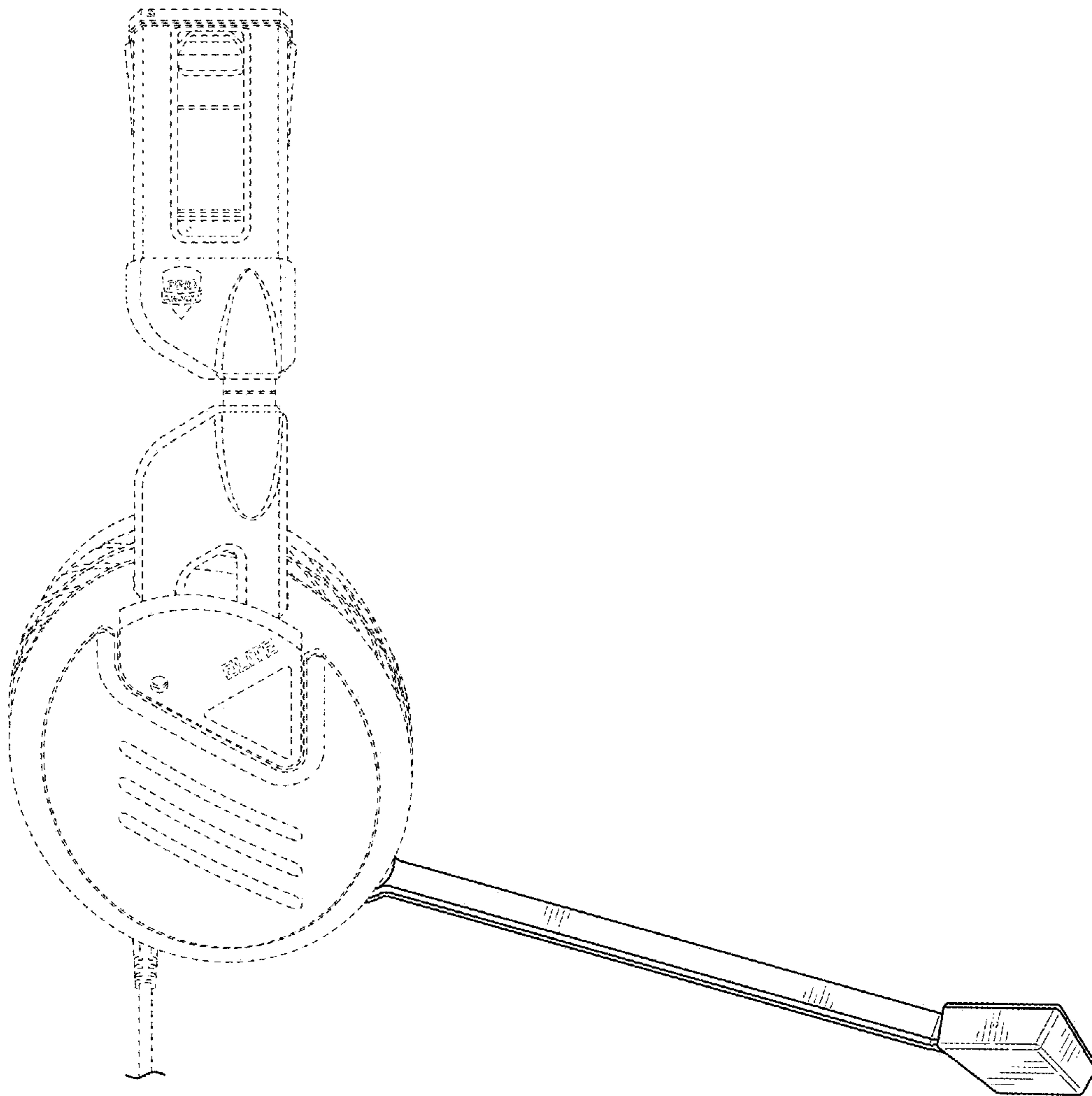


FIG. 5

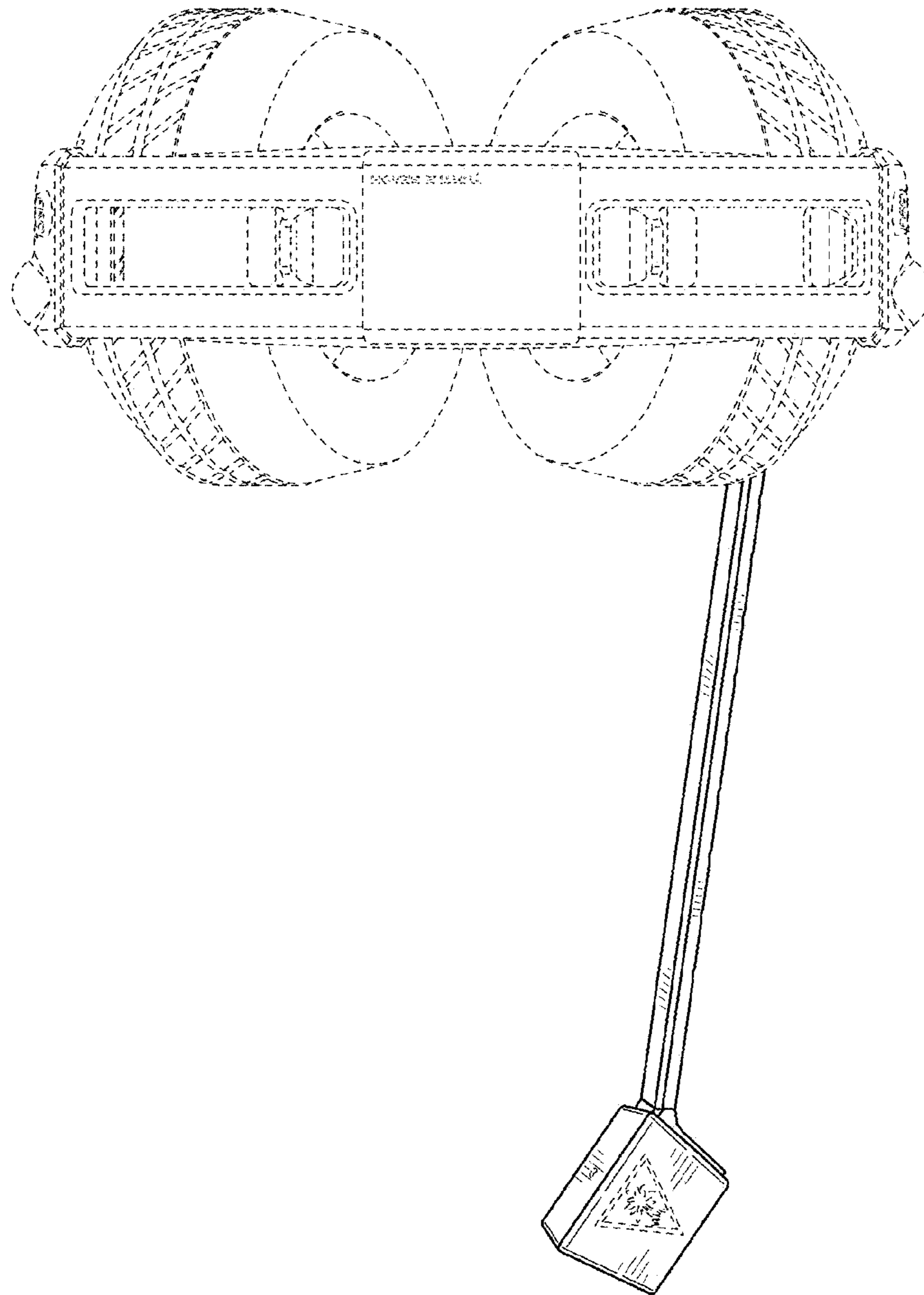


FIG. 6

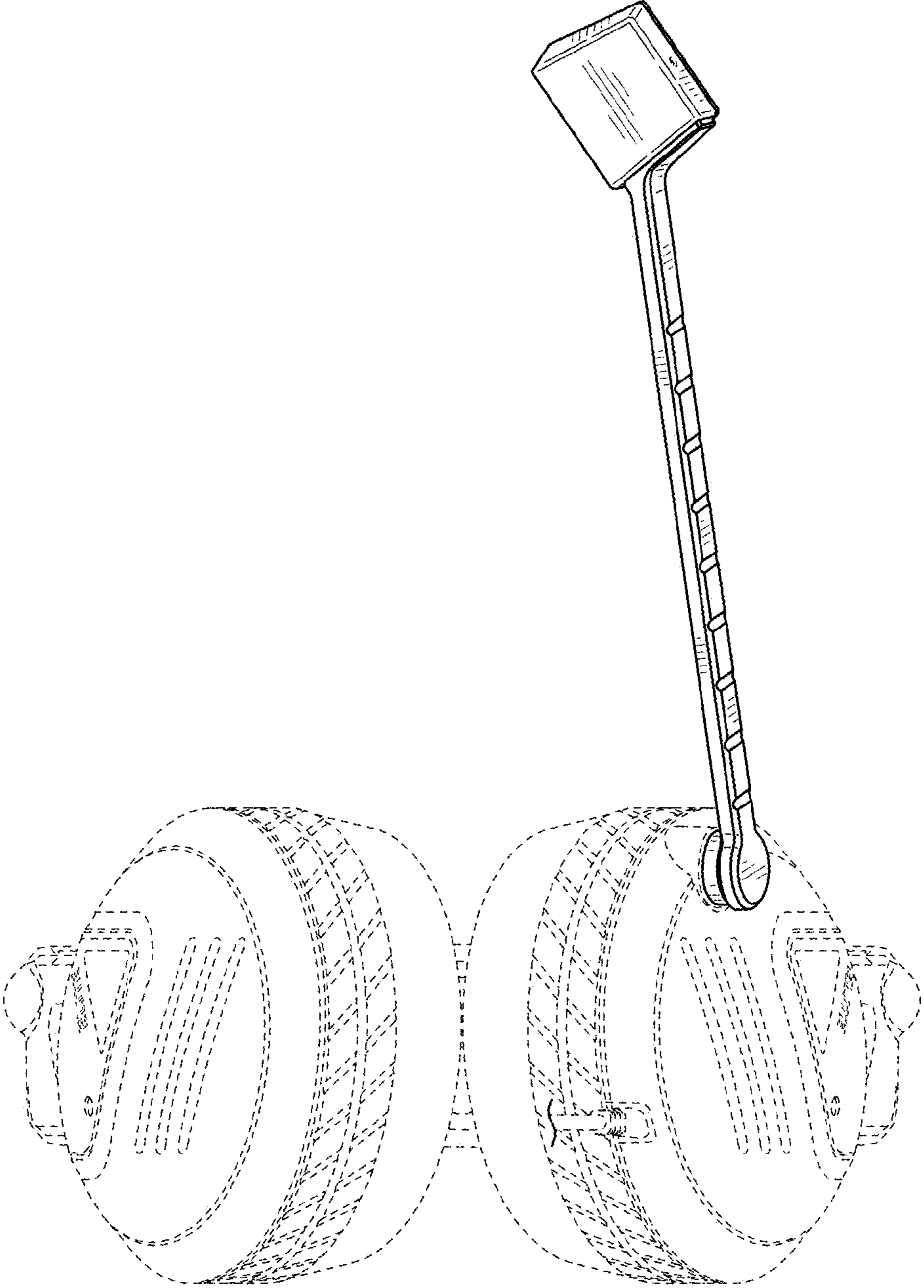


FIG. 7

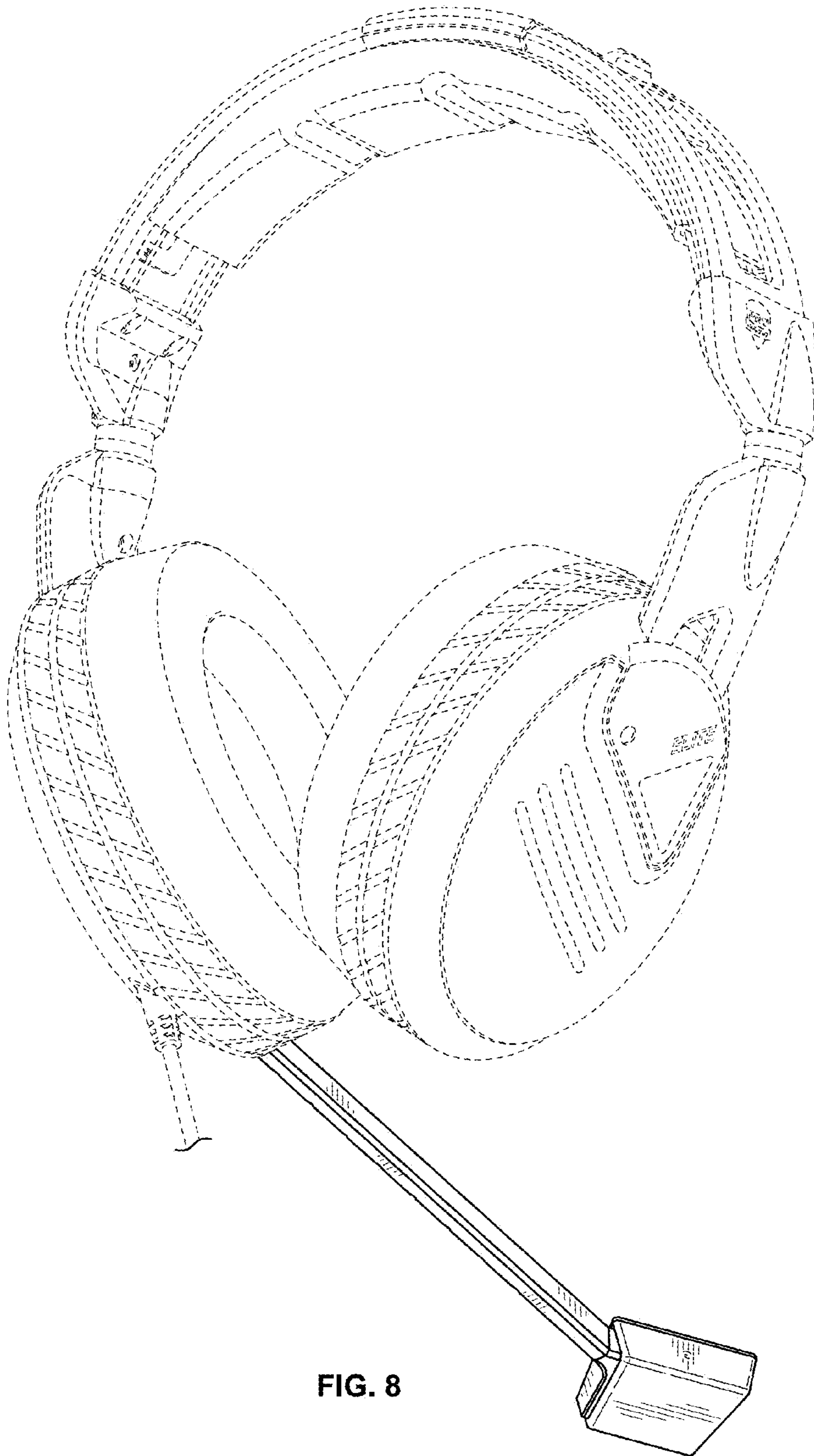


FIG. 8