



US00D746792S

(12) **United States Design Patent**
Kim

(10) **Patent No.:** **US D746,792 S**

(45) **Date of Patent:** **** Jan. 5, 2016**

(54) **EARPHONE**

(71) Applicant: **Dae-Young Kim**, Seoul (KR)

(72) Inventor: **Dae-Young Kim**, Seoul (KR)

(73) Assignee: **SPIGEN KOREA CO., LTD.**,
Geumcheon-Gu, Seoul (KR)

(**) Term: **14 Years**

(21) Appl. No.: **29/509,930**

(22) Filed: **Nov. 21, 2014**

(51) **LOC (10) CL.** **14-01**

(52) **U.S. CL.**
USPC **D14/205**; D14/223

(58) **Field of Classification Search**
USPC D14/223; 181/129, 130, 135; 379/430,
379/431; 381/380, 381
CPC H04R 1/10
See application file for complete search history.

(56) **References Cited**

U.S. PATENT DOCUMENTS

6,574,345	B1 *	6/2003	Huang	381/380
D554,627	S *	11/2007	Gondo	D14/223
D567,217	S *	4/2008	Kamo et al.	D14/205
D594,441	S *	6/2009	Lee et al.	D14/205
D599,781	S *	9/2009	Lee et al.	D14/205
D602,905	S *	10/2009	Morisawa	D14/205
D606,972	S *	12/2009	Schaefer	D14/205
D626,117	S *	10/2010	Lowry	D14/223
D627,764	S *	11/2010	Tsai et al.	D14/223
D631,034	S *	1/2011	Yeo	D14/205
D637,181	S *	5/2011	Fuller et al.	D14/223
D642,163	S *	7/2011	Lee et al.	D14/223
D643,416	S *	8/2011	Chong et al.	D14/223

D643,833	S *	8/2011	Lee et al.	D14/223
D653,242	S *	1/2012	Katsuraku et al.	D14/223
D666,581	S *	9/2012	Perez	D14/223
8,265,323	B2 *	9/2012	Stiehl et al.	381/371
8,331,604	B2 *	12/2012	Saito et al.	381/380
8,391,536	B2 *	3/2013	Hashimoto	381/380
D680,102	S *	4/2013	Chen	D14/223
D686,597	S *	7/2013	Lee et al.	D14/223
D691,278	S *	10/2013	Aunio	D24/210
D698,750	S *	2/2014	Yoon	D14/206
D718,286	S *	11/2014	Yang	D14/223
D729,775	S *	5/2015	Seo et al.	D14/223
2007/0098201	A1 *	5/2007	Chen	381/380

* cited by examiner

Primary Examiner — Paula Greene

(74) *Attorney, Agent, or Firm* — East West Law Group;
Heedong Chae

(57) **CLAIM**

The ornamental design for an earphone, as shown and described.

DESCRIPTION

FIG. 1 is a front perspective view of an earphone showing my new design;
FIG. 2 is a rear perspective view thereof;
FIG. 3 is a front elevational view thereof;
FIG. 4 is a rear elevational view thereof;
FIG. 5 is a left side elevational view thereof;
FIG. 6 is a right side elevational view thereof;
FIG. 7 is a top plan view thereof;
FIG. 8 is a bottom plan view thereof; and,
FIG. 9 is an exploded view thereof.
The broken line showing of environment is for illustrative purposes only and forms no part of the claimed design.

1 Claim, 6 Drawing Sheets

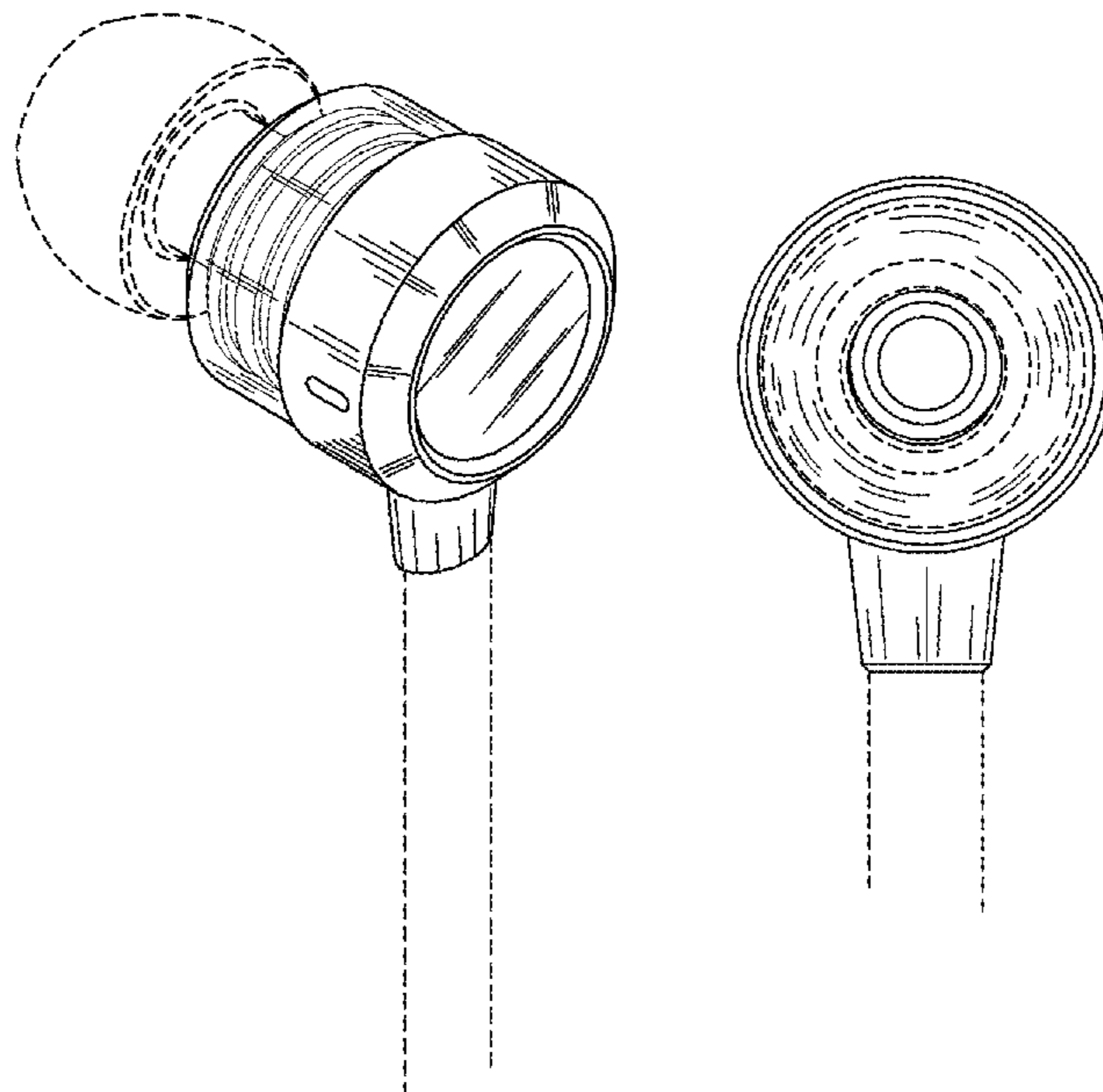


FIG. 1

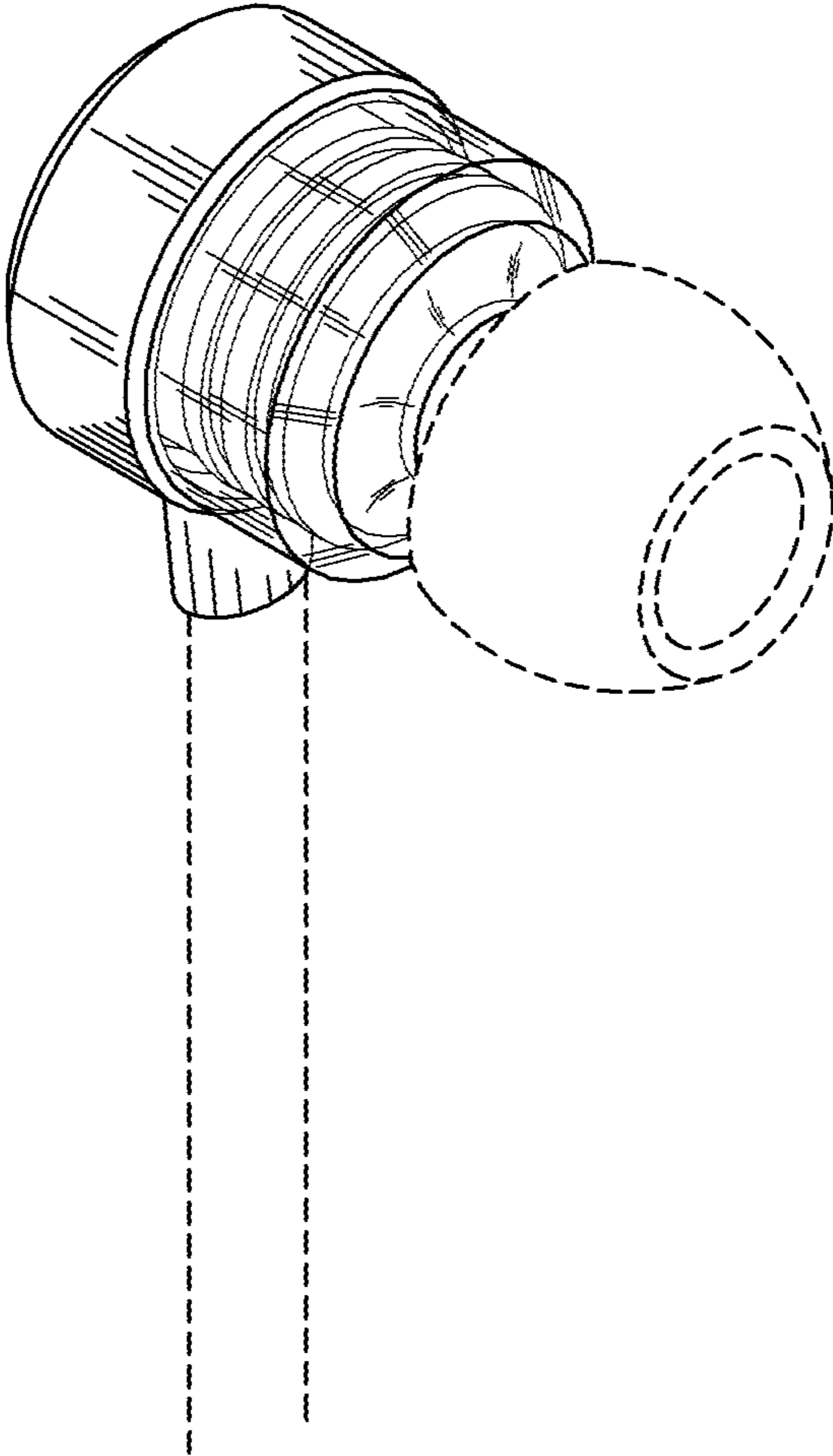


FIG. 2

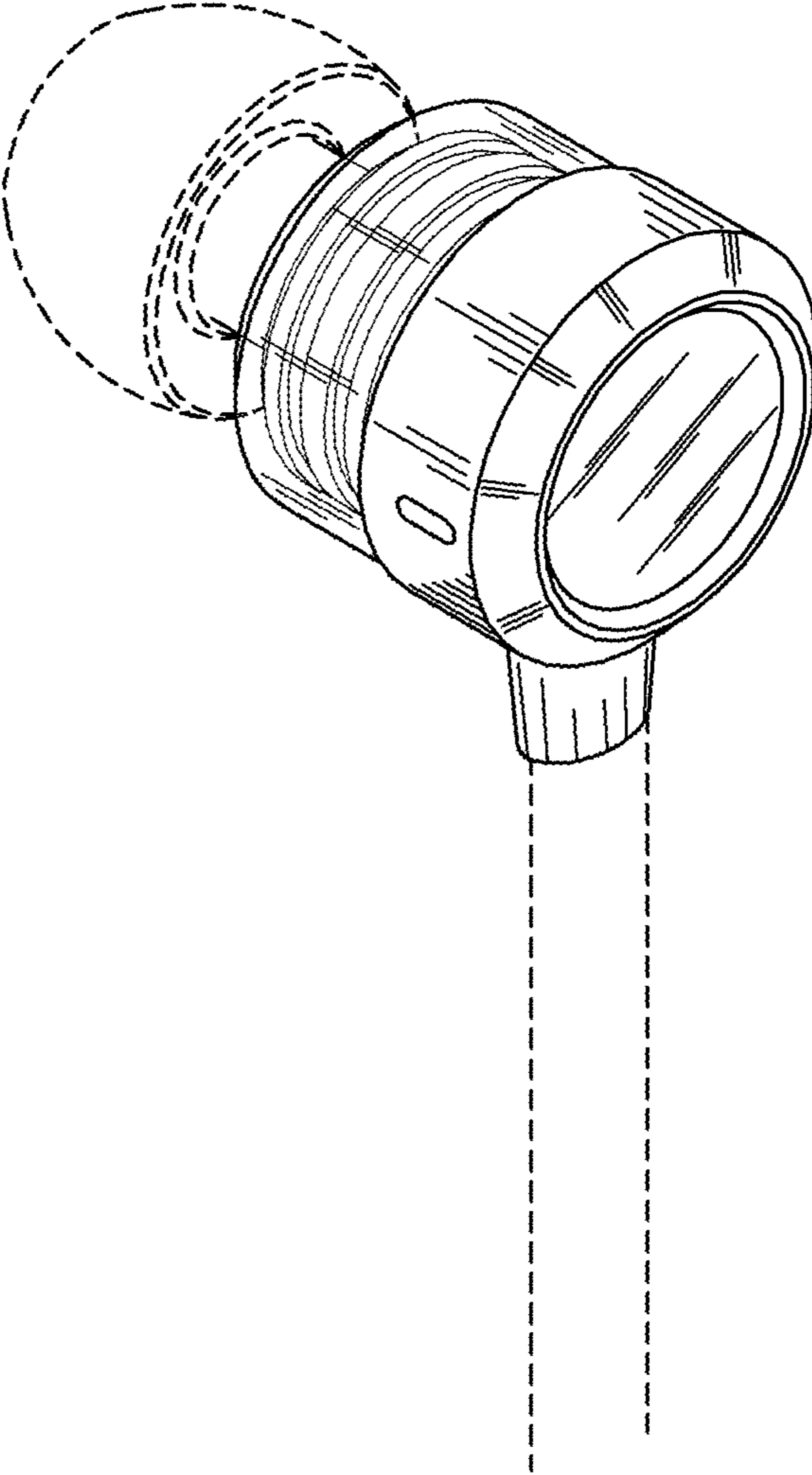


FIG. 3

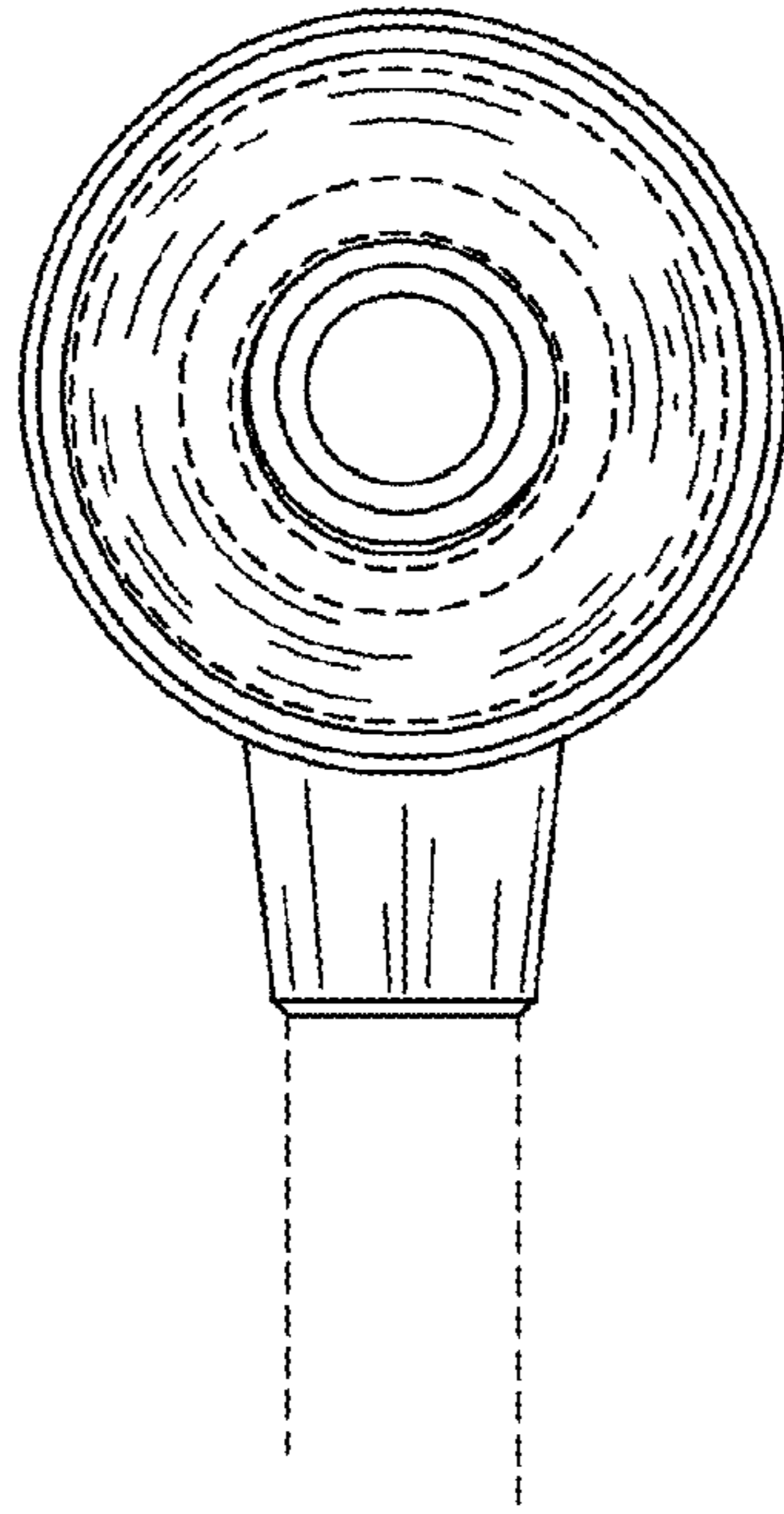


FIG. 4

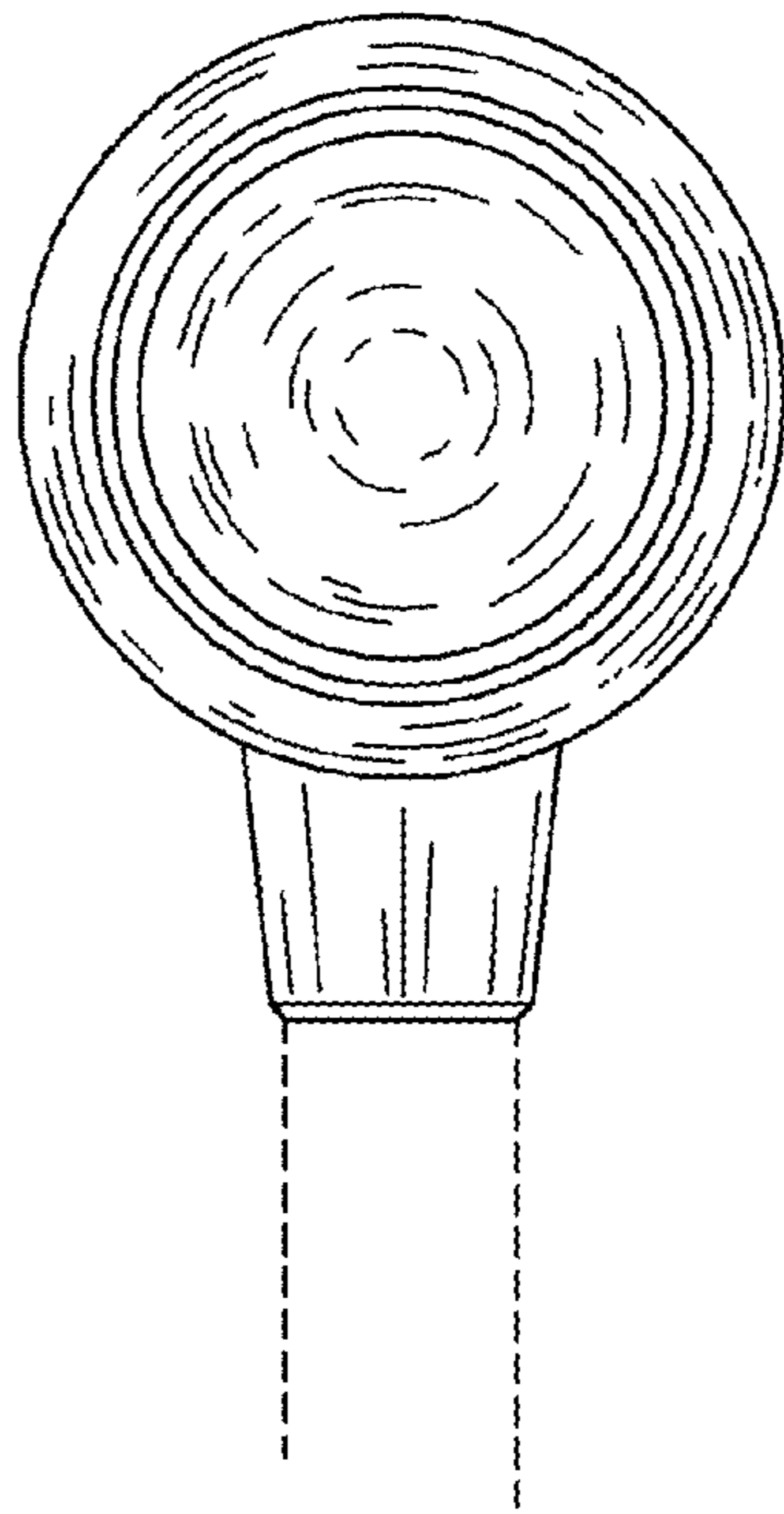


FIG. 5

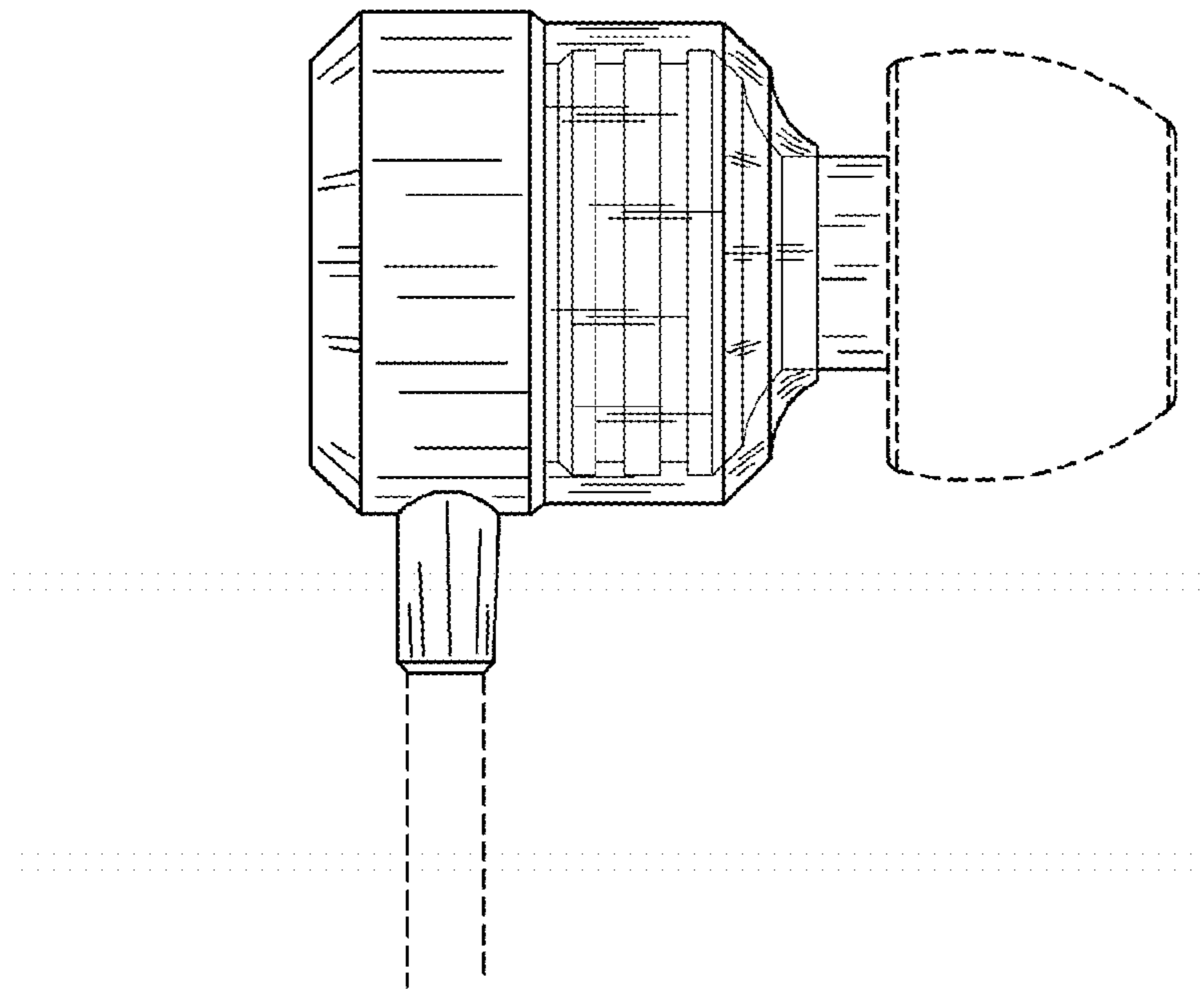


FIG. 6

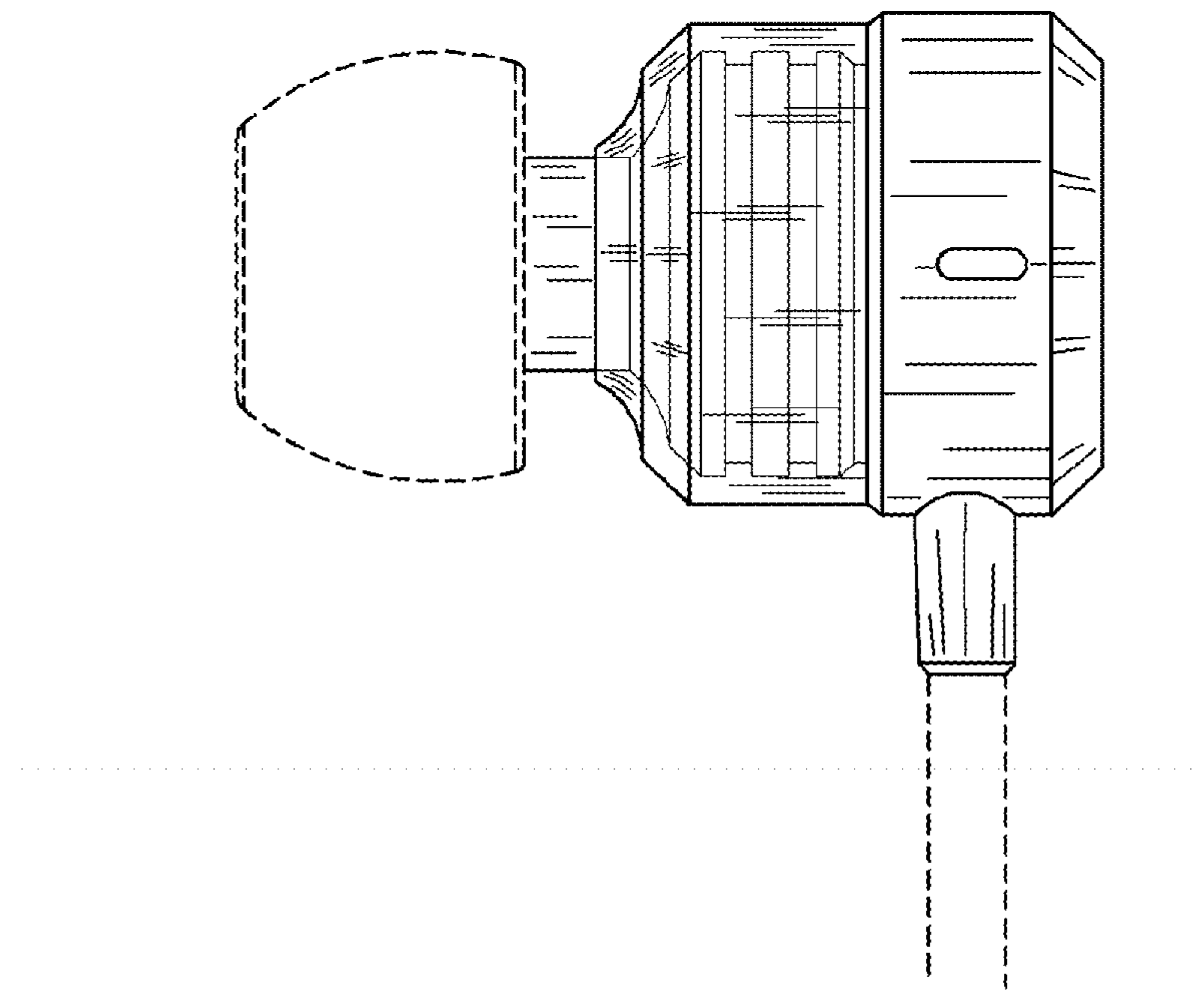


FIG. 7

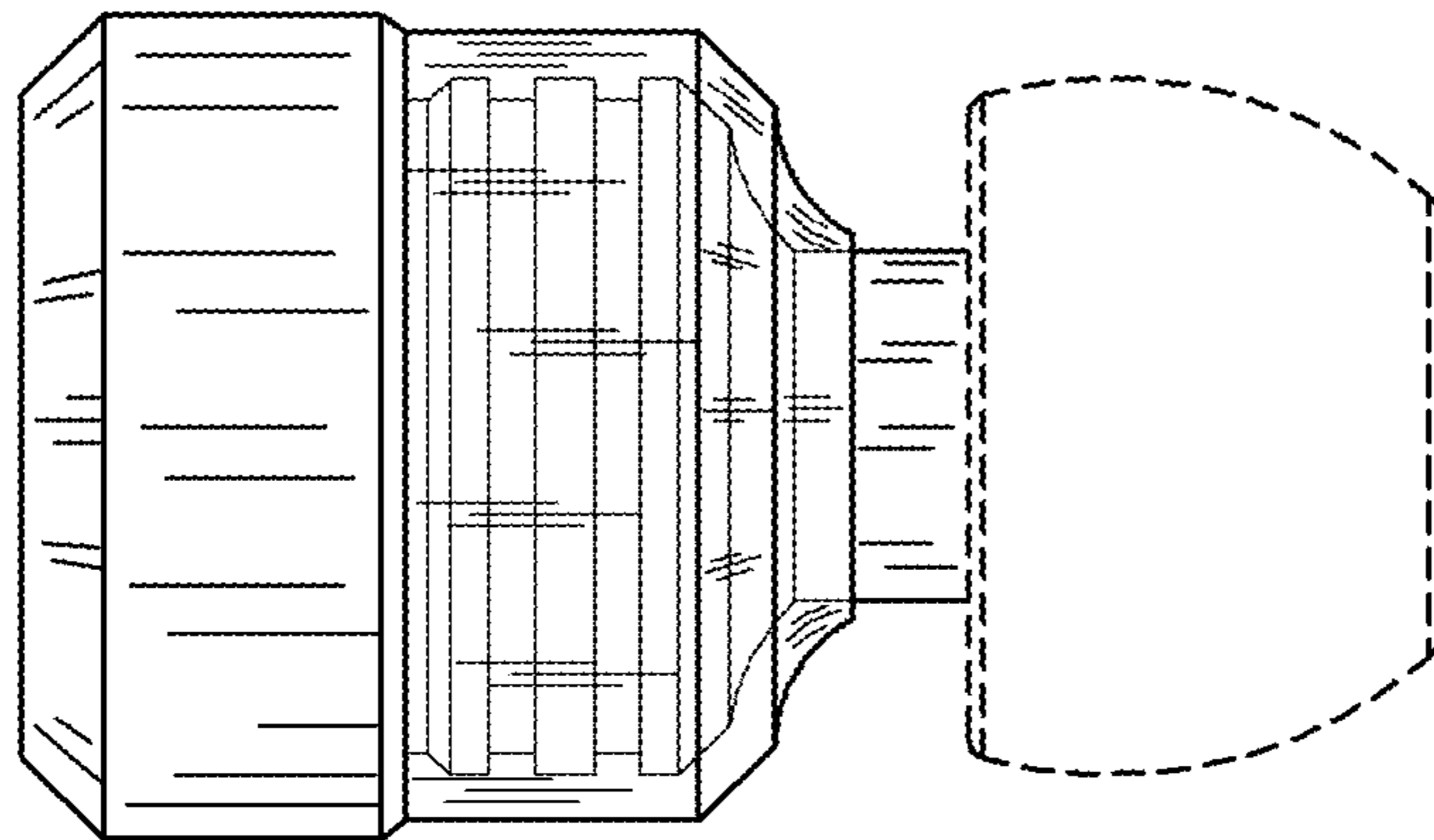


FIG. 8

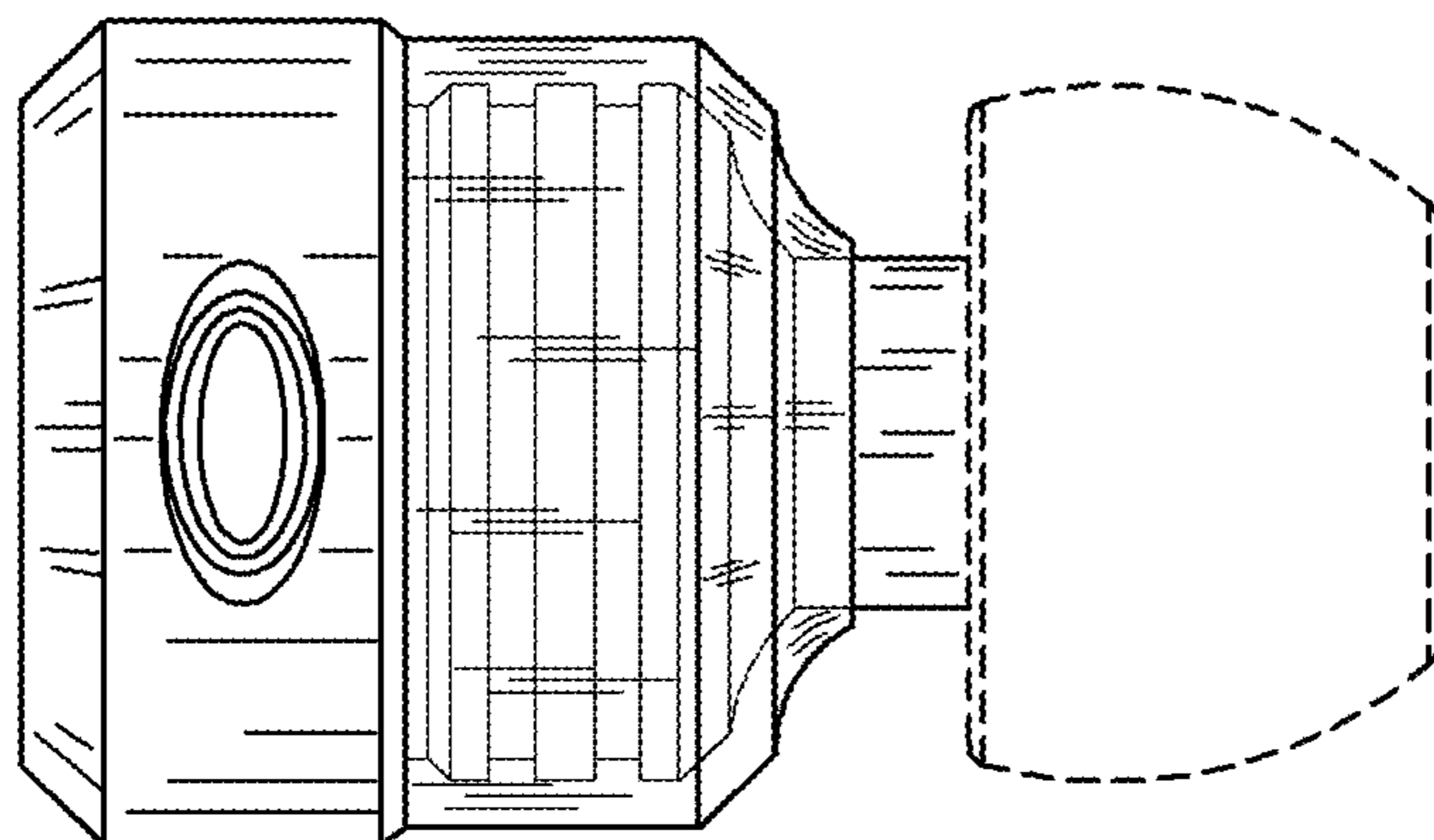


FIG. 9

