



US00D746791S

(12) **United States Design Patent**  
**Yuen**

(10) **Patent No.:** **US D746,791 S**  
(45) **Date of Patent:** **\*\* Jan. 5, 2016**

(54) **HEADPHONE**

(71) Applicant: **IMEGO INFINITY LIMITED**, Hong Kong (CN)

(72) Inventor: **Shun Ming Yuen**, Hong Kong (CN)

(73) Assignee: **IMEGO INFINITY LIMITED**, Hong Kong (CN)

(\*\*) Term: **14 Years**

(21) Appl. No.: **29/496,046**

(22) Filed: **Jul. 9, 2014**

(51) **LOC (10) Cl.** ..... **14-01**

(52) **U.S. Cl.**  
USPC ..... **D14/205**

(58) **Field of Classification Search**  
USPC ..... D14/205, 206, 223; D29/112; 2/209;  
181/129, 130, 135; 379/430, 431;  
381/380, 381; 455/90.3, 575.1;  
D16/137, 130

CPC ..... H04R 1/1066  
See application file for complete search history.

D354,958 S *	1/1995	Grasso et al.	.....	D14/205
D473,539 S *	4/2003	O'Leary	.....	D14/205
6,654,966 B2 *	12/2003	Rolla	.....	2/209
6,980,666 B1 *	12/2005	Owen	.....	381/371
D534,156 S *	12/2006	Obata	.....	D14/205
D573,581 S *	7/2008	Gondo et al.	.....	D14/205
D588,100 S *	3/2009	Densho et al.	.....	D14/205
D620,474 S *	7/2010	Komiyama	.....	D14/205
D654,472 S *	2/2012	Fischer	.....	D14/206
D662,080 S *	6/2012	Carr et al.	.....	D14/205
D664,114 S *	7/2012	Tsuchiya	.....	D14/205
D697,495 S *	1/2014	Lian	.....	D14/205
8,755,555 B2 *	6/2014	Dougherty et al.	.....	381/378
D713,374 S *	9/2014	Farrage	.....	D14/205
D719,136 S *	12/2014	Schaal et al.	.....	D14/206
D722,998 S *	2/2015	Sancho et al.	.....	D14/205

\* cited by examiner

*Primary Examiner* — Paula Greene

(74) *Attorney, Agent, or Firm* — Fitch, Even, Tabin and Flannery LLP

(57) **CLAIM**

The ornamental design for a headphone, as shown and described.

**DESCRIPTION**

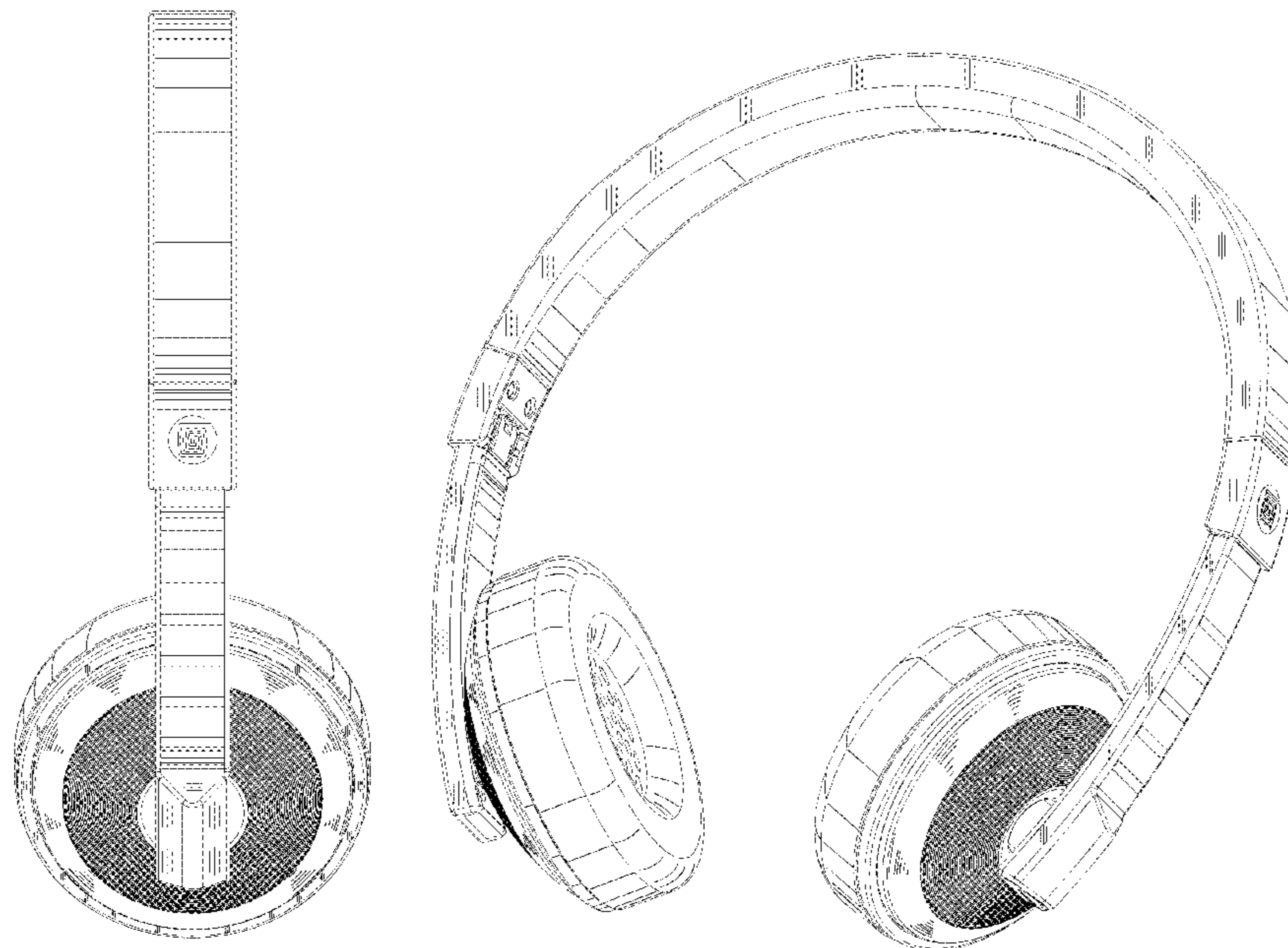
FIG. 1 is a front elevational view showing my new design; FIG. 2 is a rear elevational view thereof; FIG. 3 is a right side elevational view thereof; FIG. 4 is a left side elevational view thereof; FIG. 5 is a bottom plan view thereof; FIG. 6 is a top plan view thereof; and, FIG. 7 is a perspective view thereof. The parts shown with solid black surfaces in the various views in the drawings are used to represent the solid color black.

**1 Claim, 7 Drawing Sheets**

(56) **References Cited**

**U.S. PATENT DOCUMENTS**

1,367,746 A *	2/1921	Kent	.....	181/129
2,510,344 A *	6/1950	Law	.....	359/457
3,562,816 A *	2/1971	Hutchinson	.....	2/209
3,681,540 A *	8/1972	Thomson	.....	381/378
D246,259 S *	11/1977	Nishimura et al.	.....	D14/205
4,404,434 A *	9/1983	Pelt et al.	.....	381/383
4,471,496 A *	9/1984	Gardner et al.	.....	2/209
D300,133 S *	3/1989	Daidoh et al.	.....	D14/205
D310,081 S *	8/1990	Daido et al.	.....	D14/205



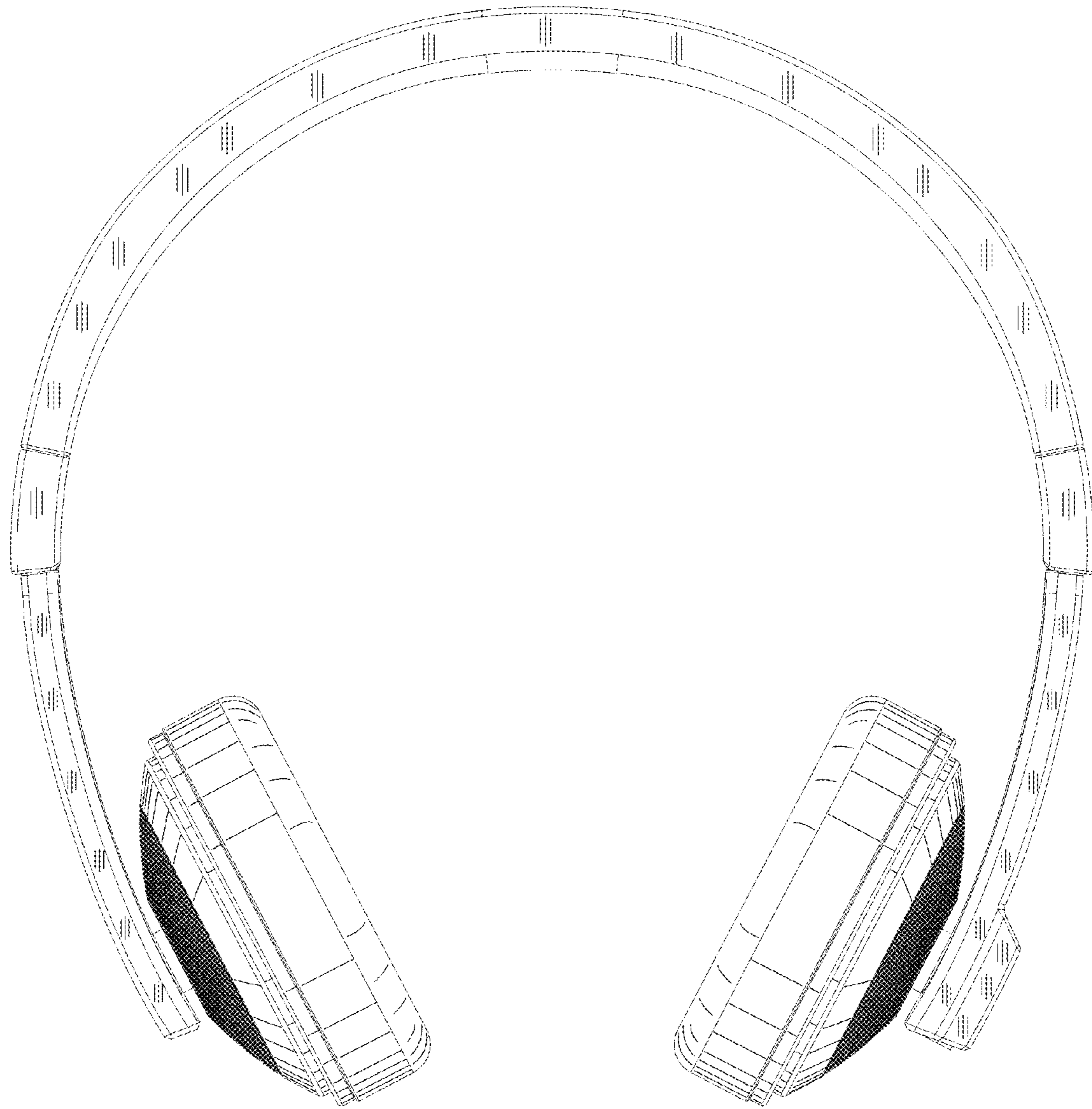


FIG. 1

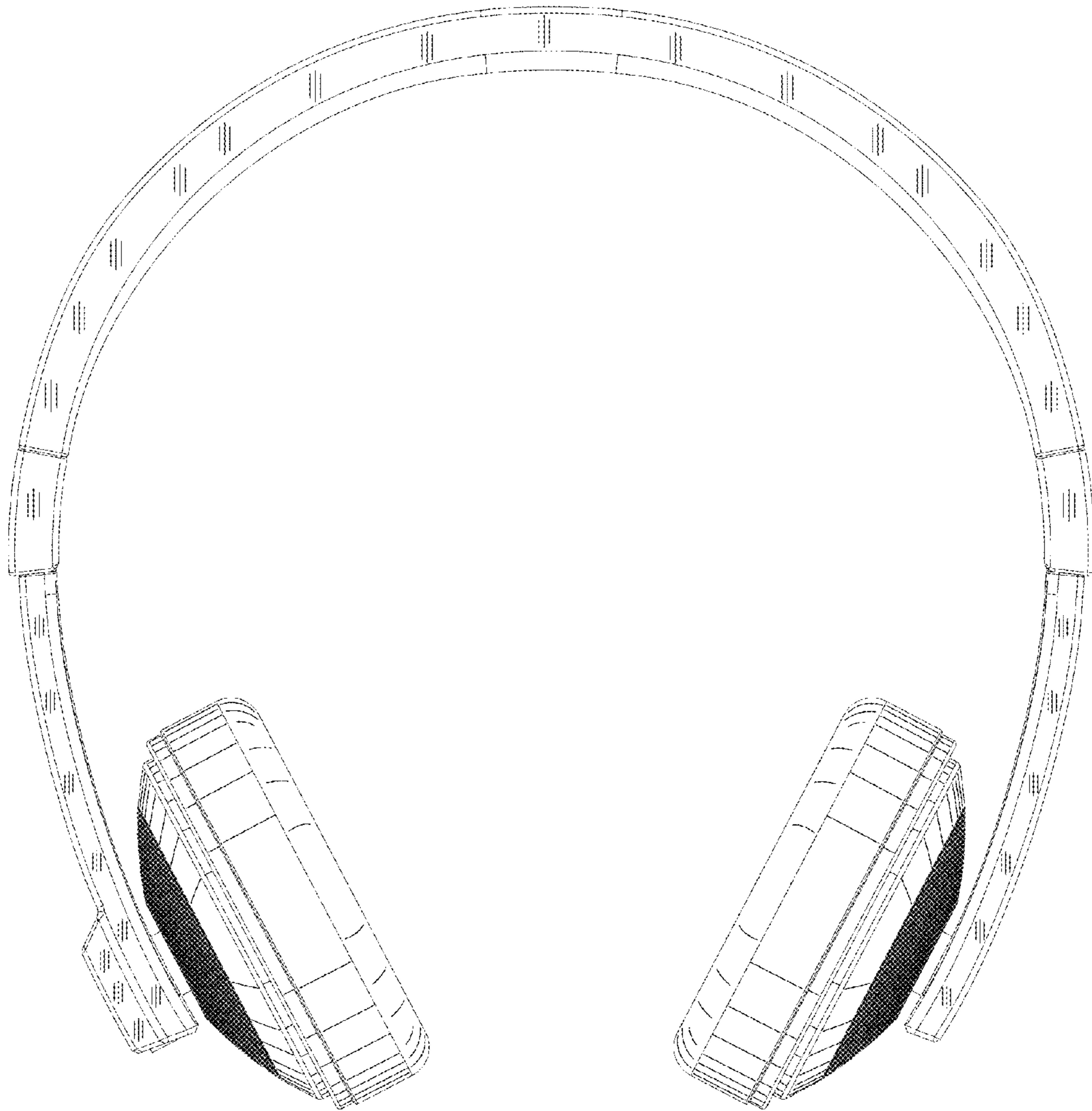


FIG. 2



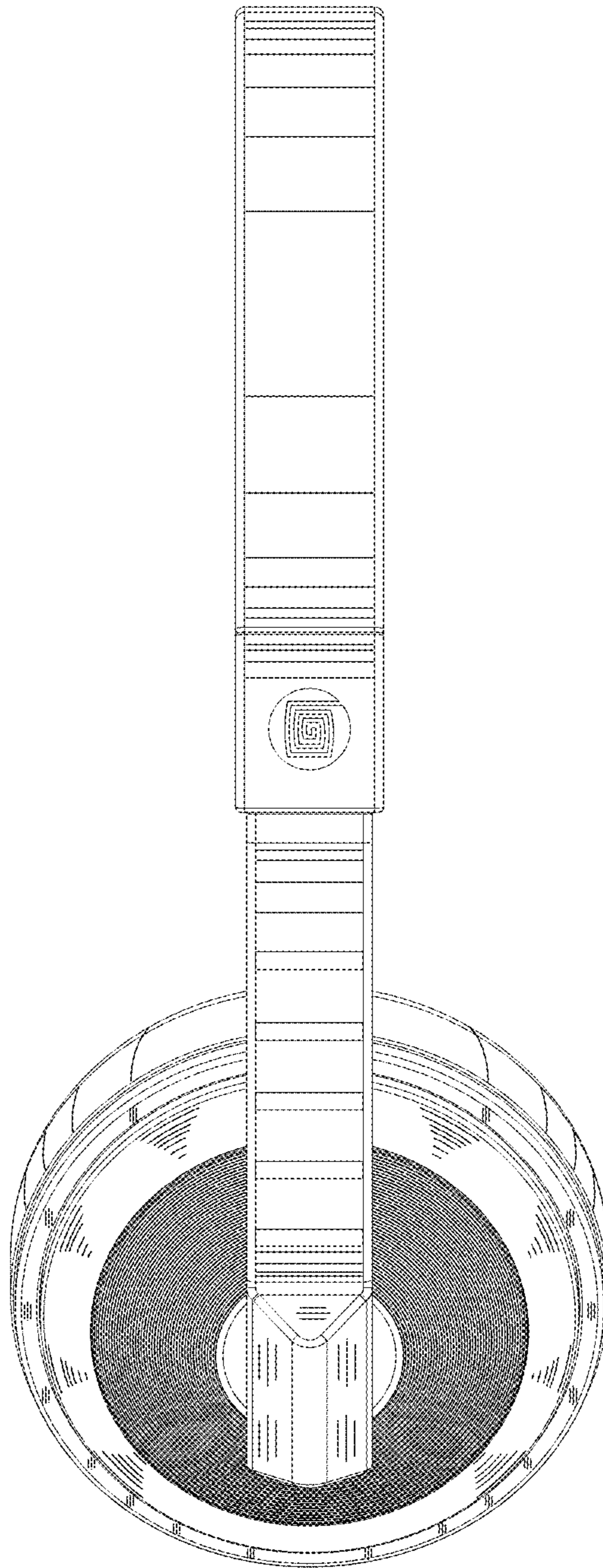


FIG. 3

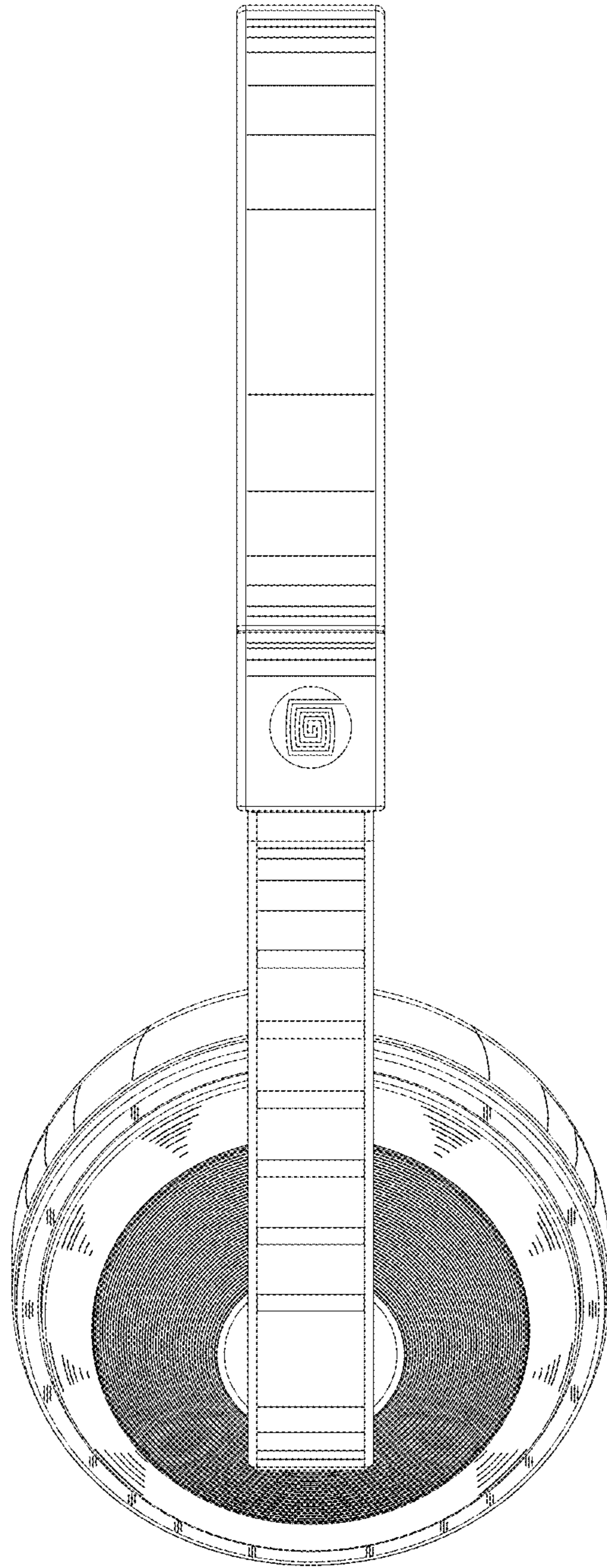


FIG. 4

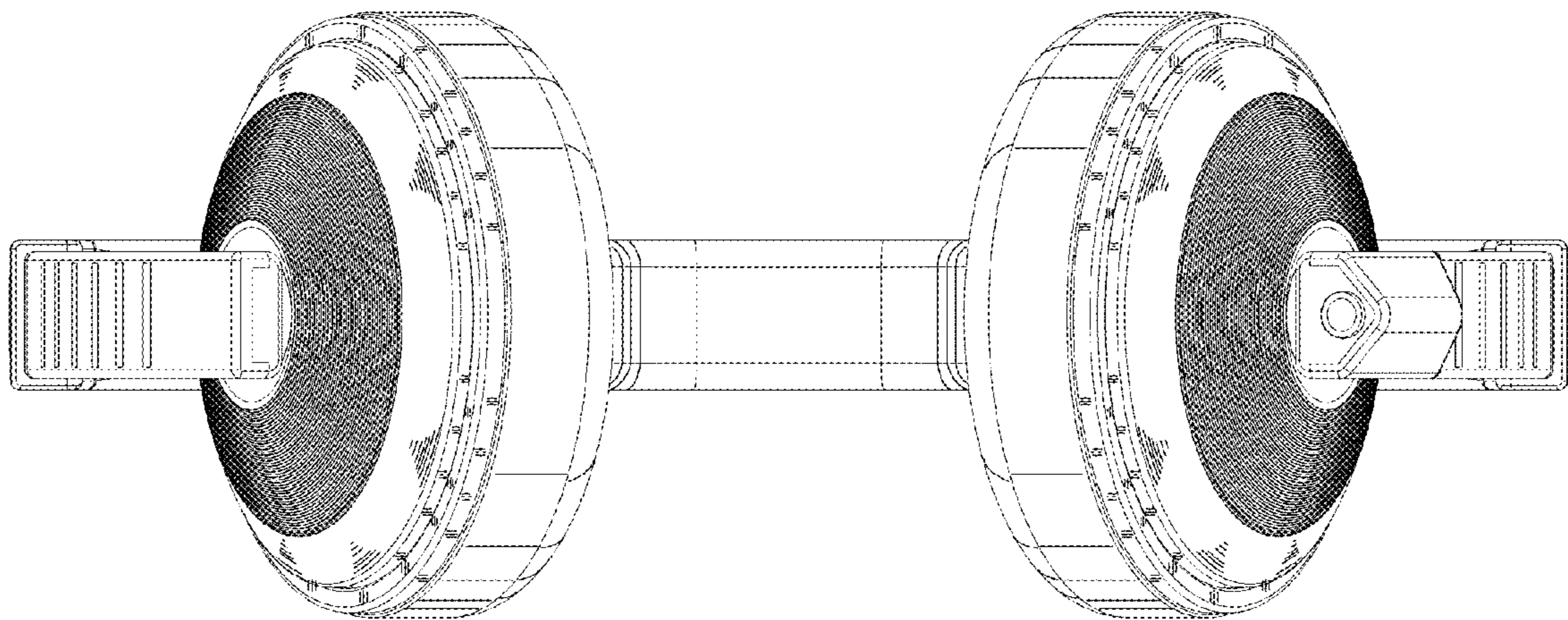


FIG. 5

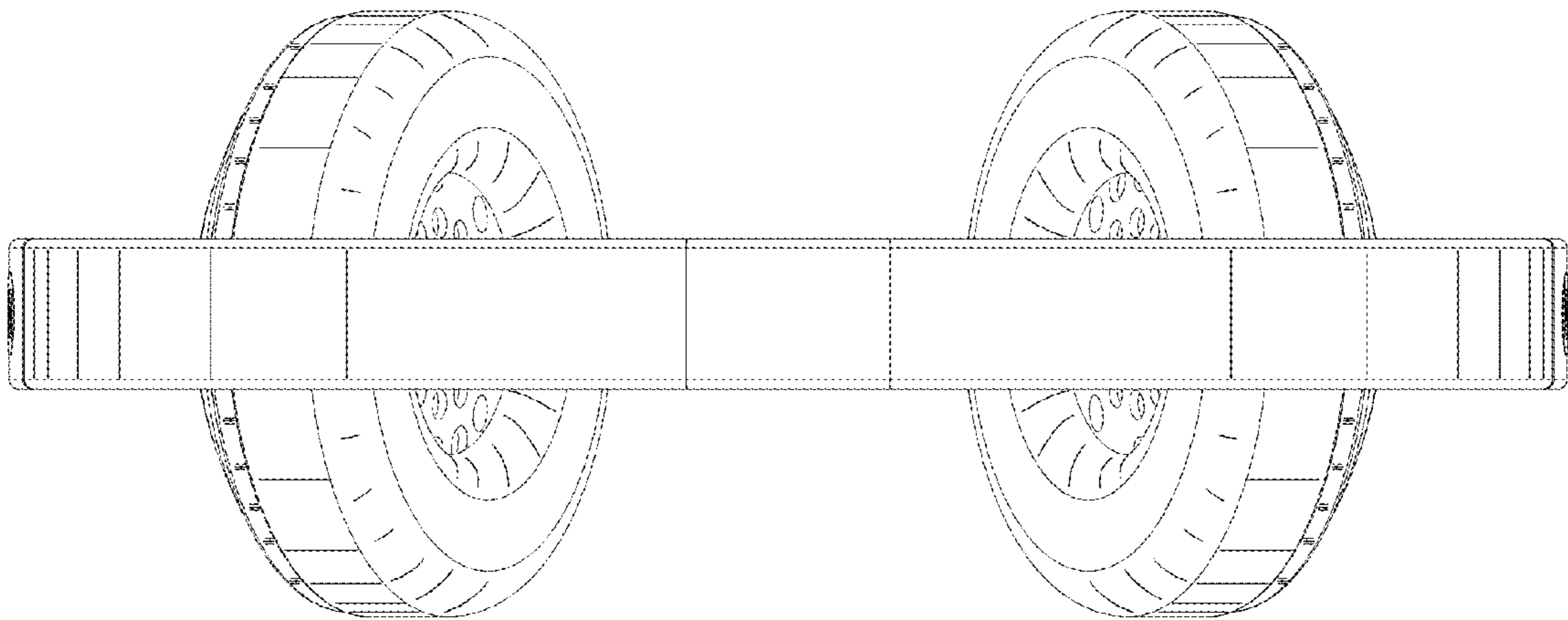


FIG. 6



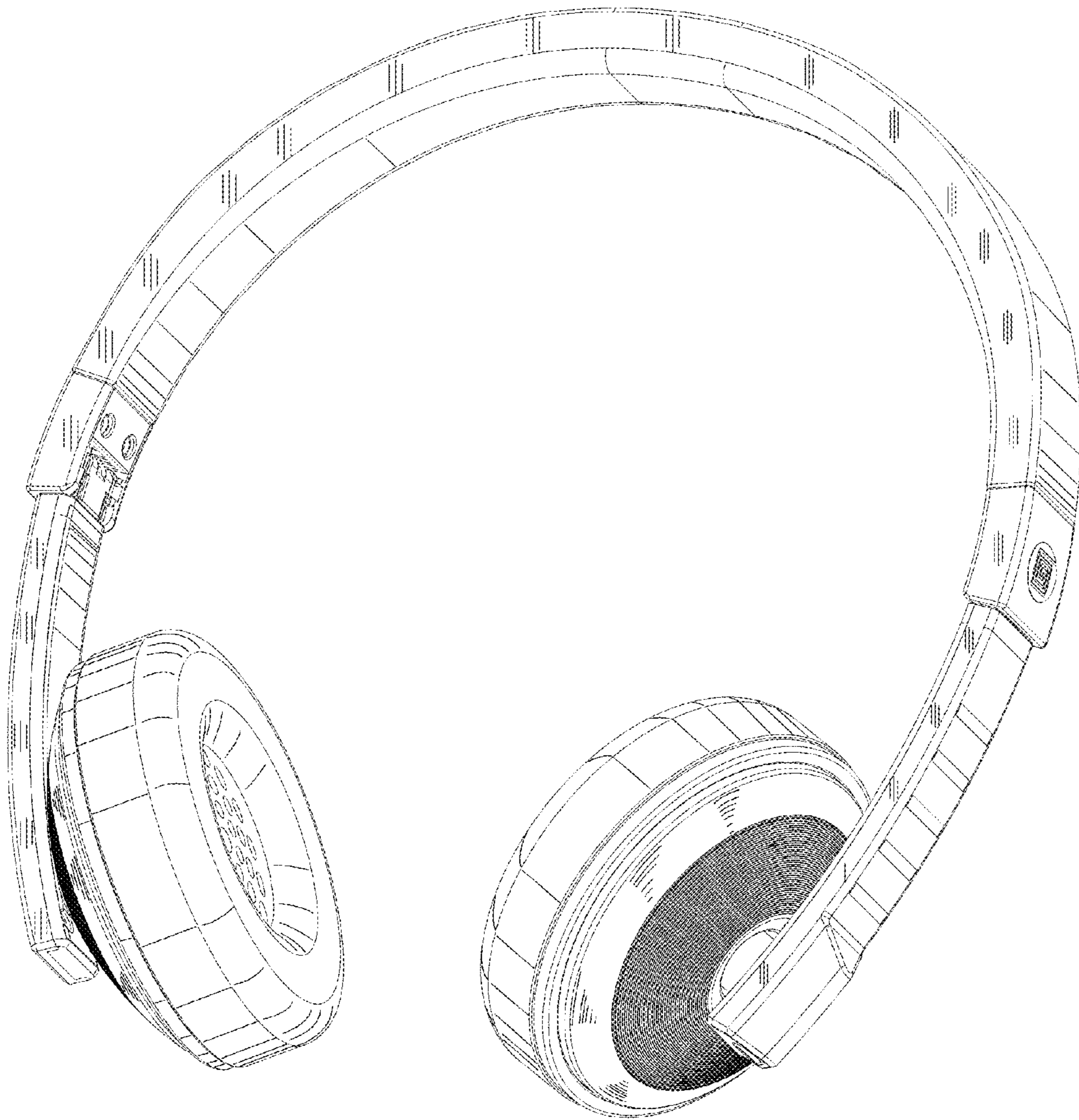


FIG. 7