



US00D746790S

(12) **United States Design Patent**
Strasberg et al.

(10) **Patent No.:** **US D746,790 S**
(45) **Date of Patent:** **** Jan. 5, 2016**

(54) **HEADPHONE**

(71) Applicant: **HeadBox LLC**, Knoxville, TN (US)

(72) Inventors: **Ira Strasberg**, Los Angeles, CA (US);
Ohad Einbinder, Los Angeles, CA (US);
Mike Camello, Los Angeles, CA (US)

(73) Assignee: **HEADBOX LLC**, Knoxville, TN (US)

(**) Term: **14 Years**

(21) Appl. No.: **29/484,144**

(22) Filed: **Mar. 6, 2014**

(51) **LOC (10) Cl.** **14-01**

(52) **U.S. Cl.**
USPC **D14/205**

(58) **Field of Classification Search**
USPC D14/205; 181/129, 130, 135; 379/430,
379/431; 381/374, 380, 381; 455/90.3,
455/575.1; D29/112; 2/209
CPC H04R 1/1066
See application file for complete search history.

(56) **References Cited**

U.S. PATENT DOCUMENTS

1,651,623	A *	12/1927	Obergfell	381/378
5,420,935	A *	5/1995	Shinohara et al.	381/370
6,629,579	B1 *	10/2003	Hasegawa	181/129
6,654,966	B2 *	12/2003	Rolla	2/209
6,905,000	B1 *	6/2005	Viveros	181/129
D512,708	S *	12/2005	Harris et al.	D14/205
7,172,052	B2 *	2/2007	Lenhard-Backhaus	181/129

D538,261	S *	3/2007	Taylor et al.	D14/205
D549,688	S *	8/2007	Suzuki	D14/205
D573,581	S *	7/2008	Gondo et al.	D14/205
D585,871	S *	2/2009	Lee	D14/205
D585,872	S *	2/2009	Lee	D14/205
D625,705	S *	10/2010	Ohuri et al.	D14/205
D634,732	S *	3/2011	Kondo et al.	D14/205
D642,554	S *	8/2011	Schaal et al.	D14/205
8,055,006	B2 *	11/2011	Santiago	381/379
D657,346	S *	4/2012	Park	D14/205
D662,080	S *	6/2012	Carr et al.	D14/205
D673,136	S *	12/2012	Kelly et al.	D14/205
2005/0053255	A1 *	3/2005	Harris et al.	381/379

* cited by examiner

Primary Examiner — Paula Greene

(74) *Attorney, Agent, or Firm* — Raymond R. Ferrera;
Adams and Reese LLP

(57) **CLAIM**

The ornamental design for a headphone, as shown and described.

DESCRIPTION

FIG. 1 is a front view of a headphone showing our new design; FIG. 2 is a front view of the headphone in an alternate position; FIG. 3 is a partial end view of a side of the headphone; FIG. 4 is an enlarged view of the headphone; FIG. 5 is a front view of a collapsed headphone; and, FIG. 6 is a front view of the headphone in an alternate collapsed position.

The bomb logo forming no part of the claimed design is a registered trademark of HeadBox LLC.

1 Claim, 6 Drawing Sheets





FIG. 1



FIG. 2

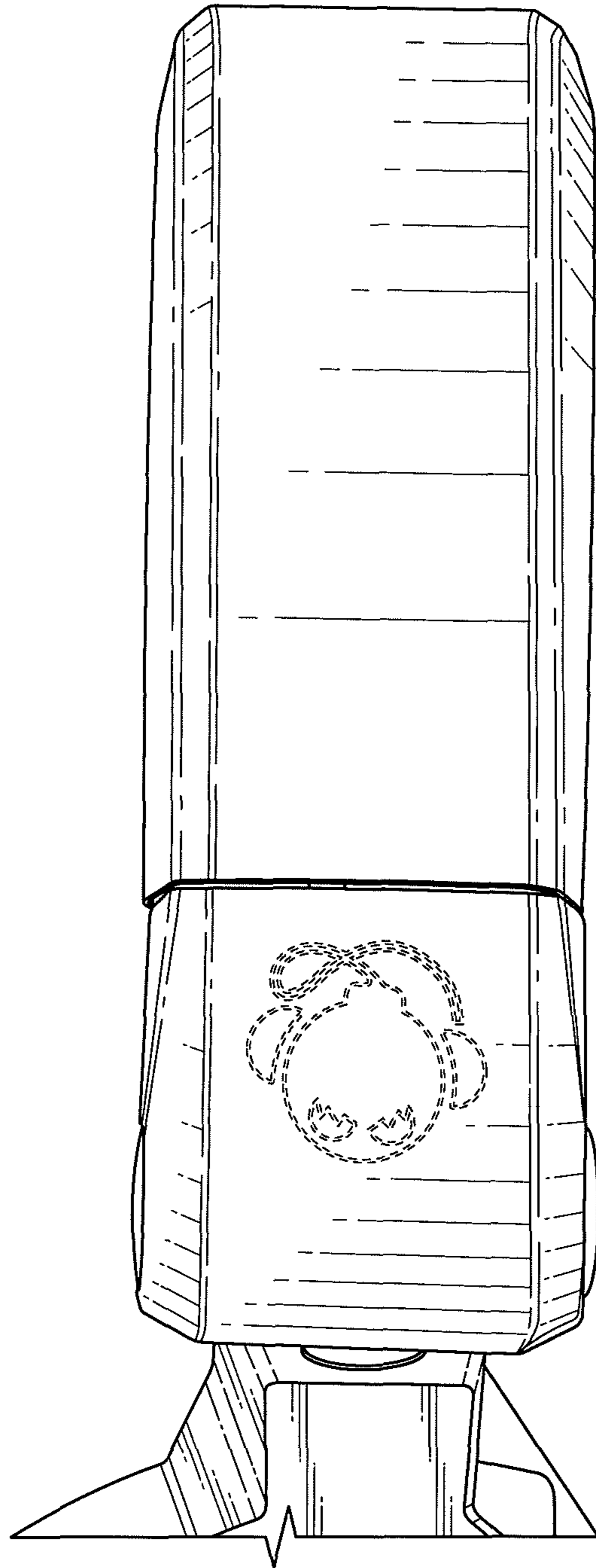


FIG. 3

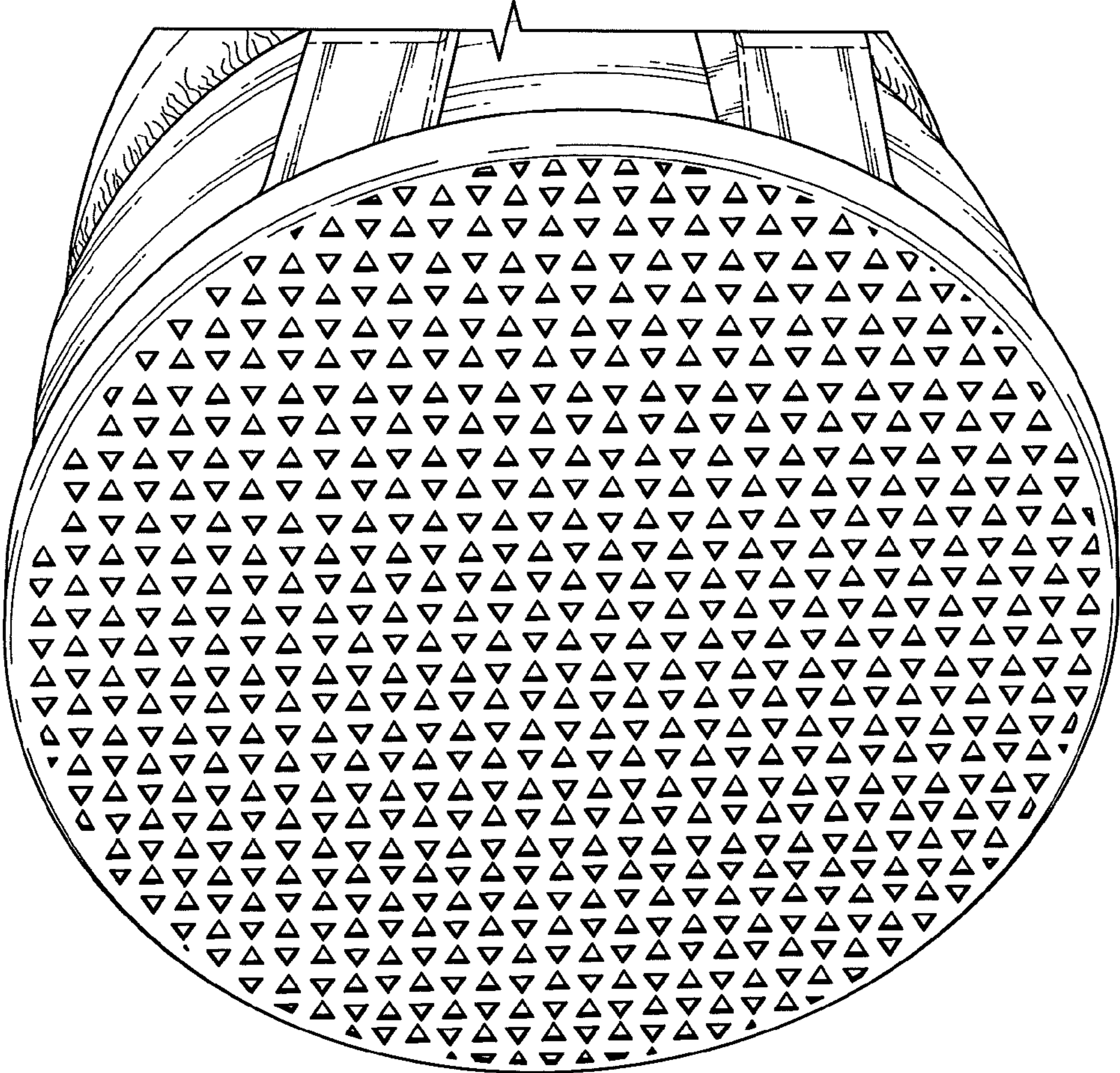


FIG. 4

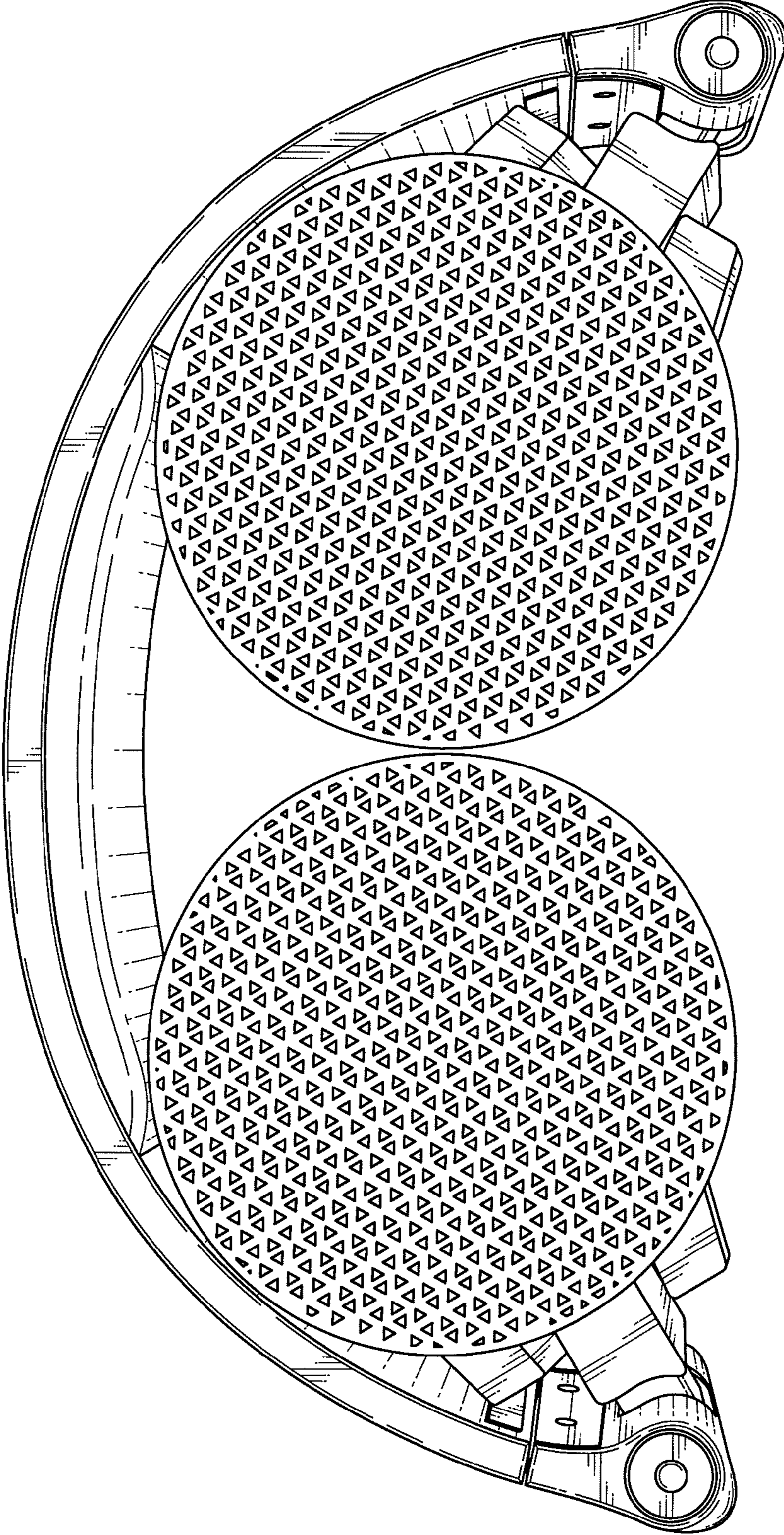


FIG. 5

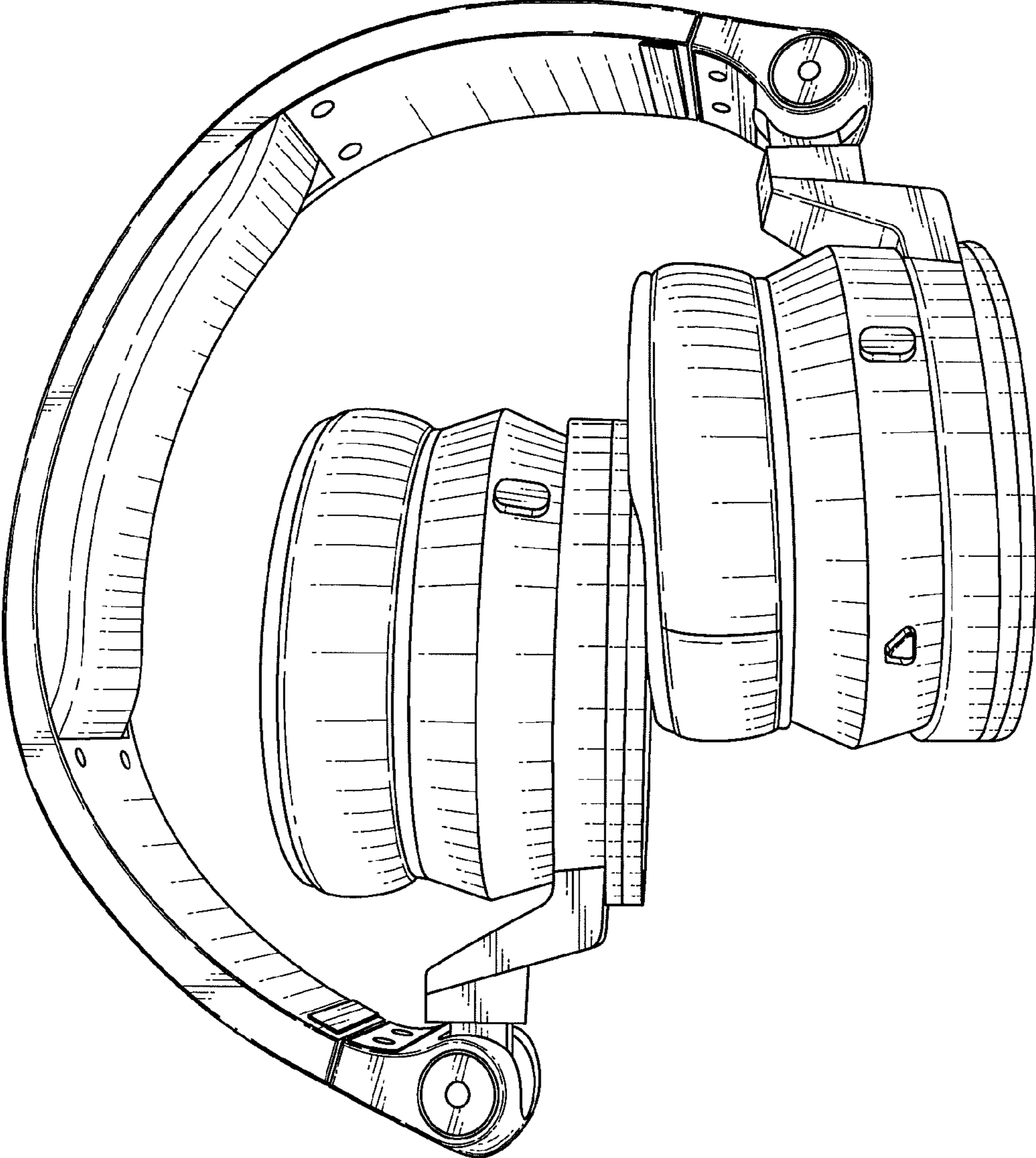


FIG. 6