



US00D746789S

(12) **United States Design Patent**
DeVesto

(10) **Patent No.:** **US D746,789 S**

(45) **Date of Patent:** **** Jan. 5, 2016**

(54) **RADIO UNIT DESIGN**

(71) Applicant: **Thomas DeVesto**, Cotuit, MA (US)

(72) Inventor: **Thomas DeVesto**, Cotuit, MA (US)

(**) Term: **14 Years**

(21) Appl. No.: **29/503,064**

(22) Filed: **Sep. 23, 2014**

(51) **LOC (10) Cl.** **14-03**

(52) **U.S. Cl.**
USPC **D14/188**

(58) **Field of Classification Search**
USPC D14/168-171, 188-198, 203.1,
D14/204-216, 496, 498; 455/90.1-90.3,
455/344-355; 312/7.1; D7/605
CPC H04B 1/06; H04B 1/08; H04B 1/086
See application file for complete search history.

(56) **References Cited**

U.S. PATENT DOCUMENTS

D347,765 S *	6/1994	Unkefer	D14/168
D478,327 S *	8/2003	Rozier	D14/188
D514,547 S *	2/2006	Tragatschnig	D14/188
D529,478 S *	10/2006	Rozier	D14/188
D540,300 S *	4/2007	Amid-Hozour	D14/188
D556,732 S *	12/2007	Chan	D14/168

D560,684 S *	1/2008	Skurdal	D14/496
D572,232 S *	7/2008	Joseph	D14/188
D596,196 S *	7/2009	Laituri et al.	D14/496
D658,628 S *	5/2012	Hahner et al.	D14/196
D692,412 S *	10/2013	Silvera	D14/215
D703,185 S *	4/2014	Kim	D14/209.1
D715,762 S *	10/2014	Chong et al.	D14/198

* cited by examiner

Primary Examiner — Sandra Morris

(74) *Attorney, Agent, or Firm* — Chapin IP Law, LLC

(57) **CLAIM**

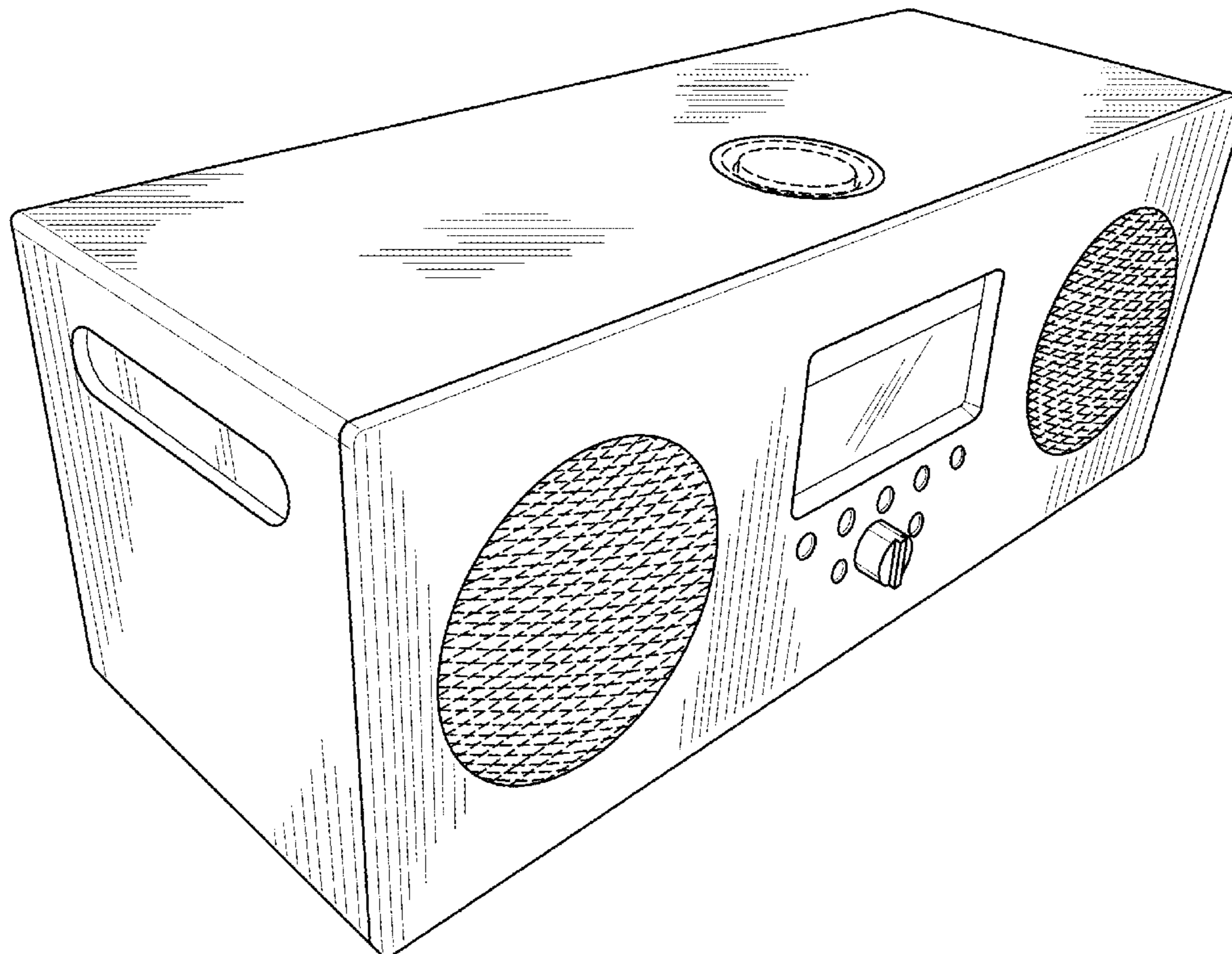
The ornamental design for a radio unit, substantially as shown.

DESCRIPTION

FIG. 1 is a perspective view of the radio unit;
FIG. 2 is a front elevation of the radio unit;
FIG. 3 is a rear elevation of the radio unit;
FIG. 4 is a top view of the radio unit;
FIG. 5 is a bottom view of the radio unit;
FIG. 6 is one side elevation of the radio unit;
FIG. 7 is another side elevation of the radio unit; and,
FIG. 8 is another rear elevation view of the radio unit with the antenna arranged vertically.

The broken lines in the FIGURES are for illustrative purposes only, and form no part of the claimed design.

1 Claim, 7 Drawing Sheets



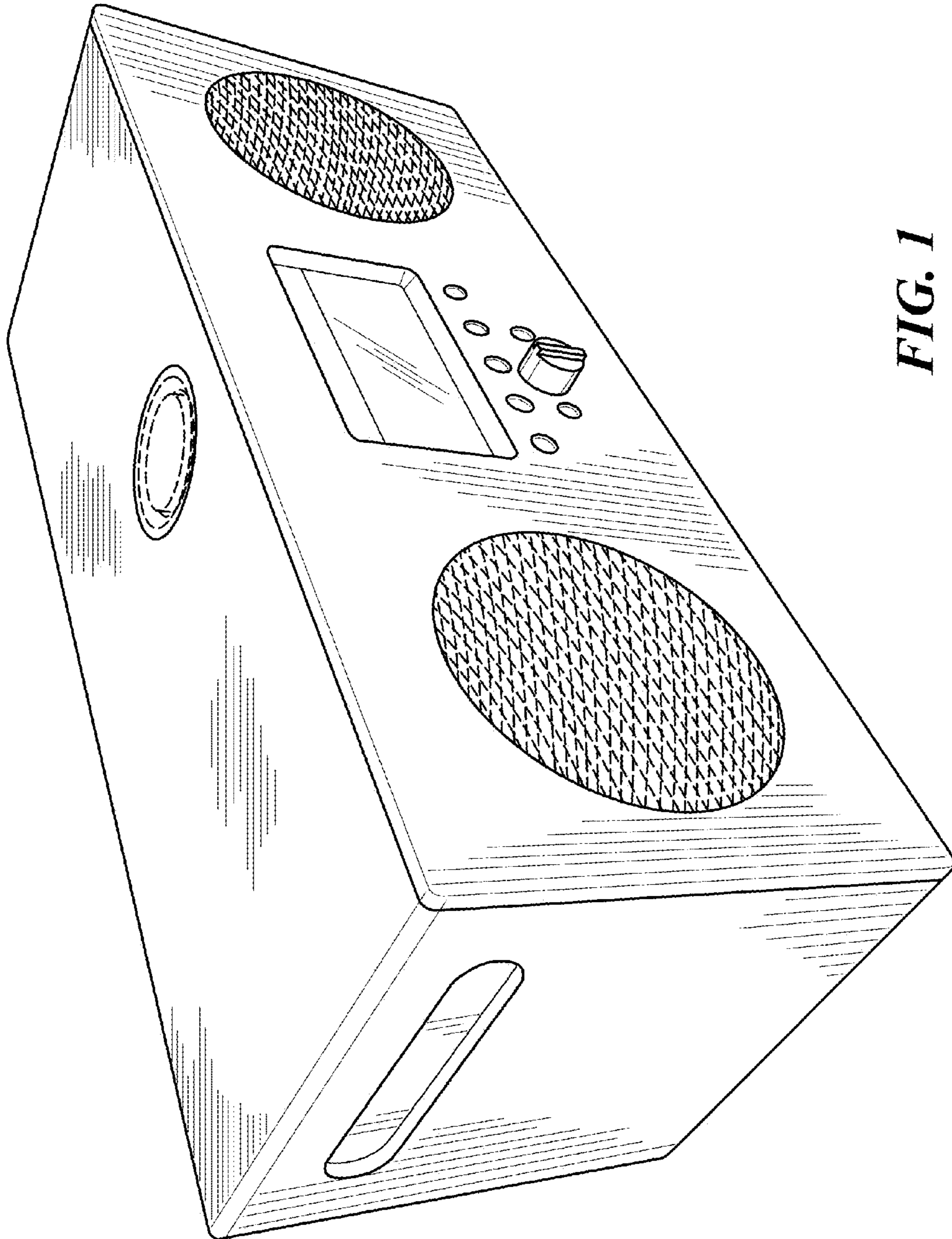


FIG. 1

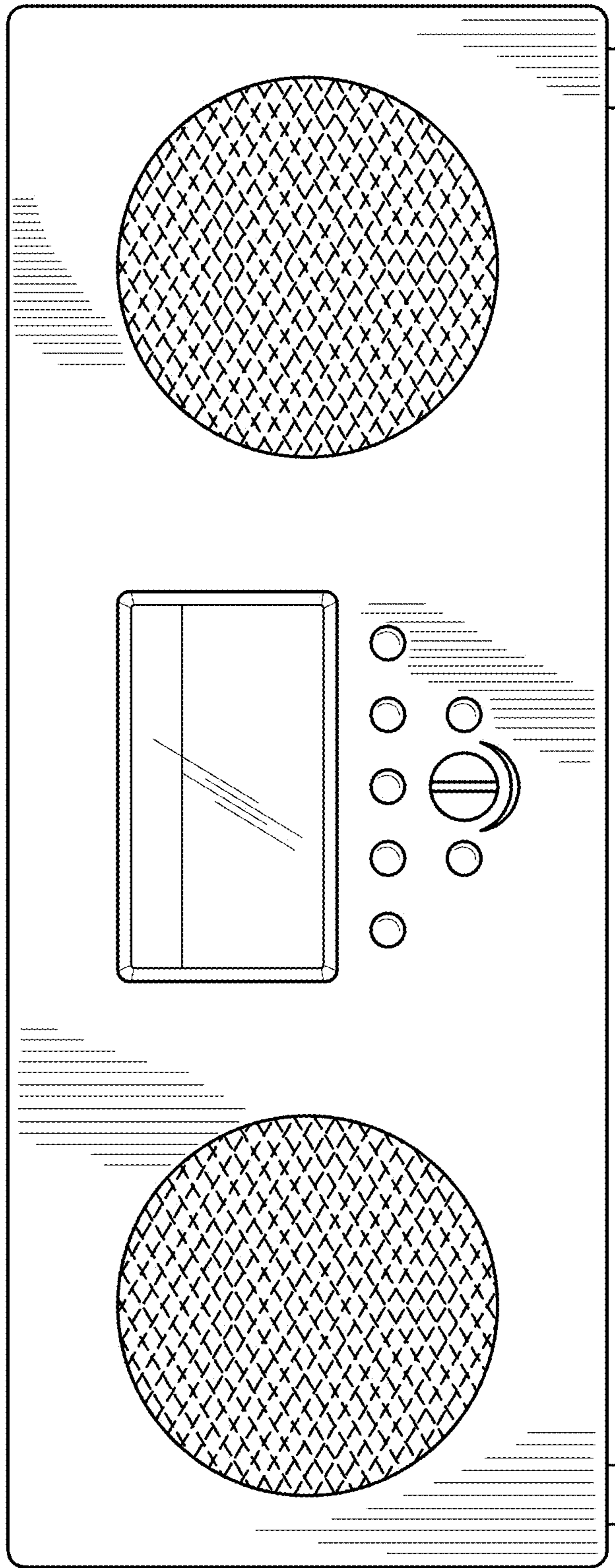


FIG. 2

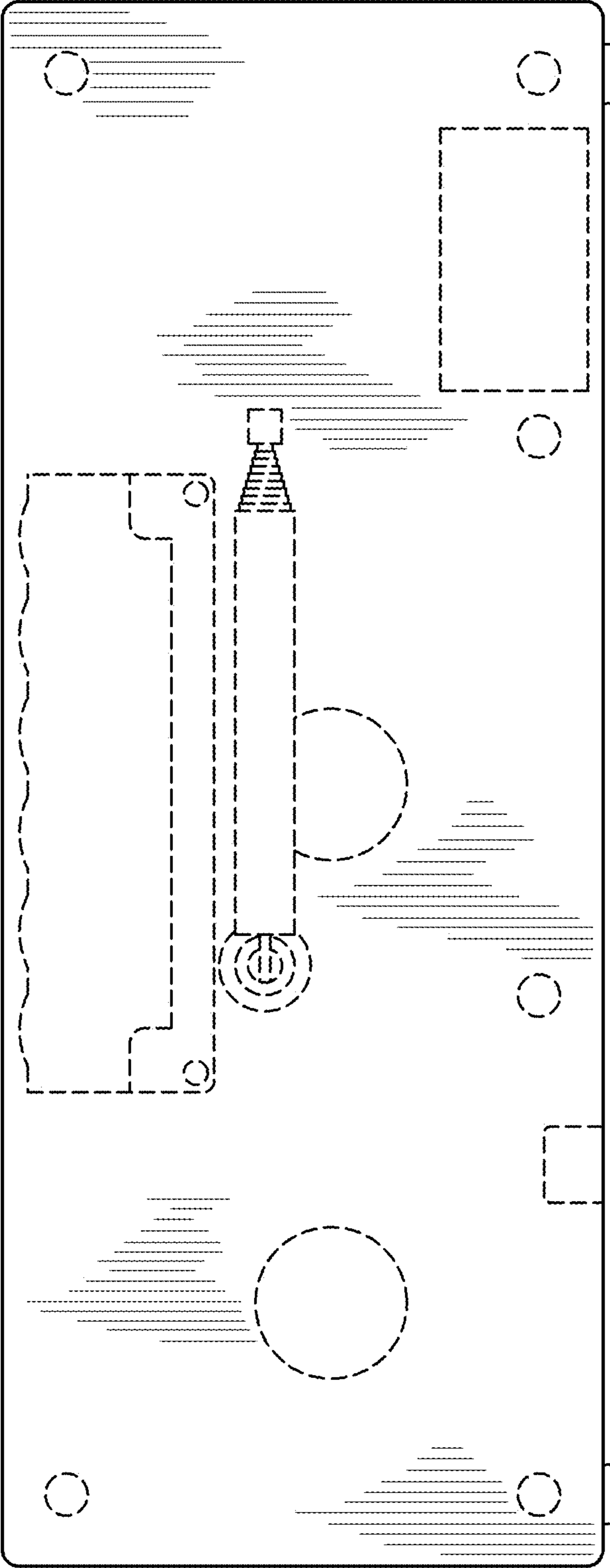


FIG. 3

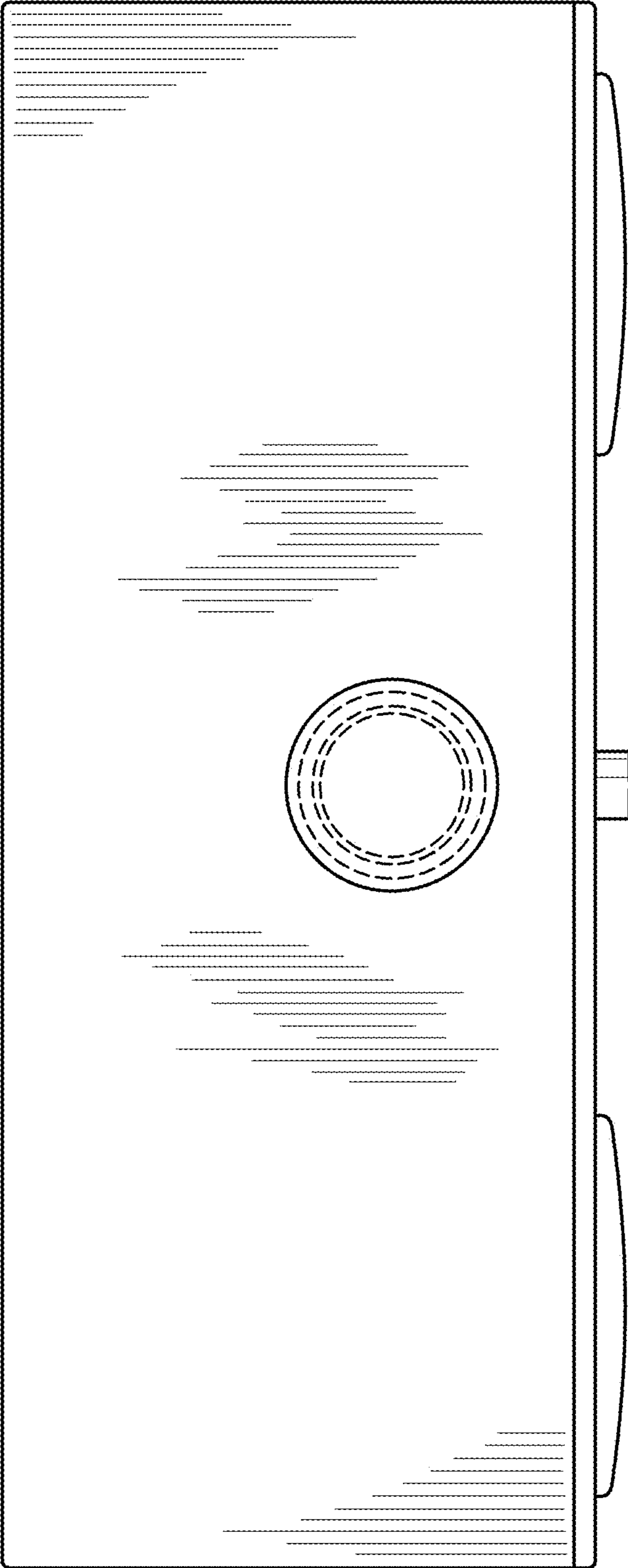


FIG. 4

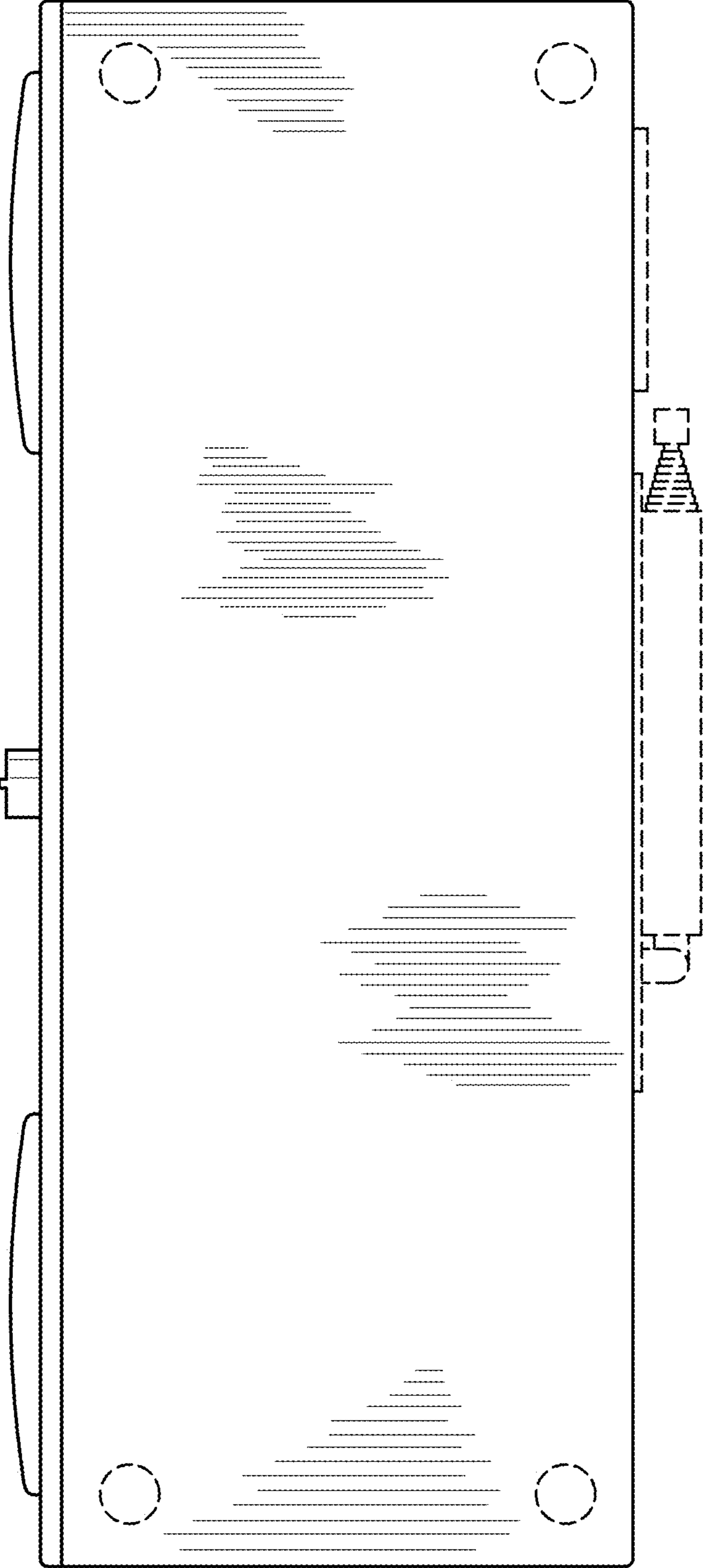


FIG. 5

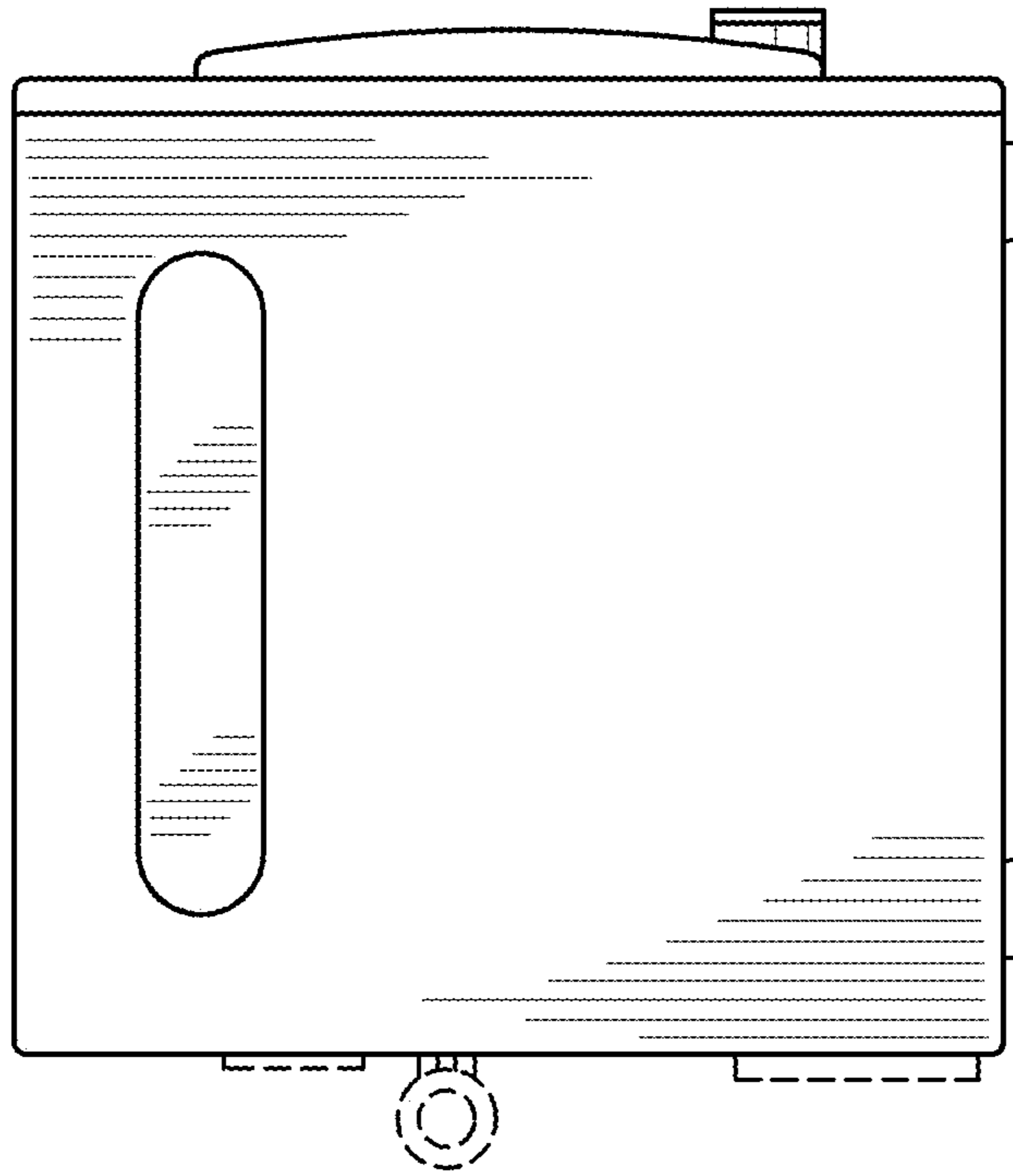


FIG. 7

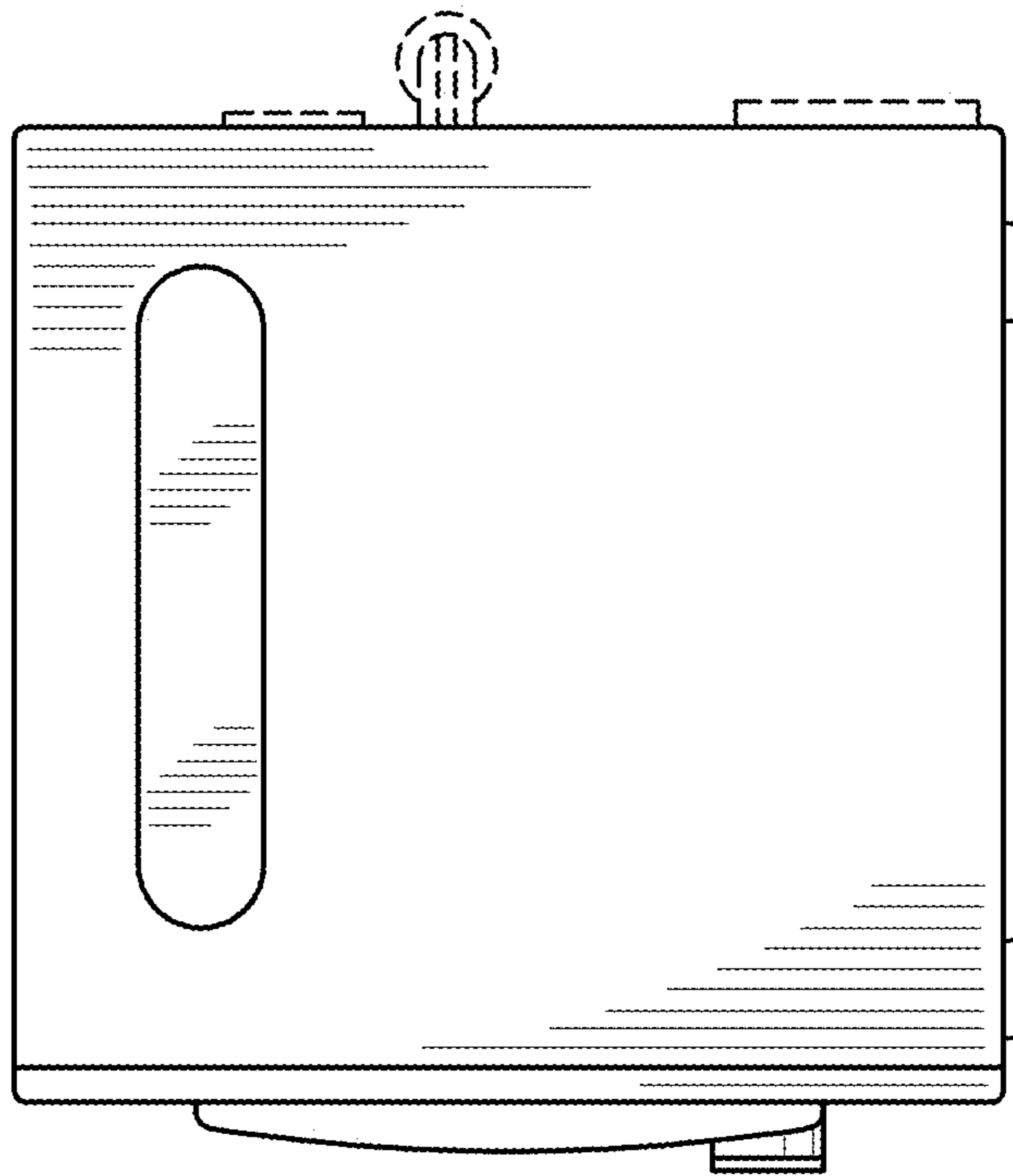


FIG. 6

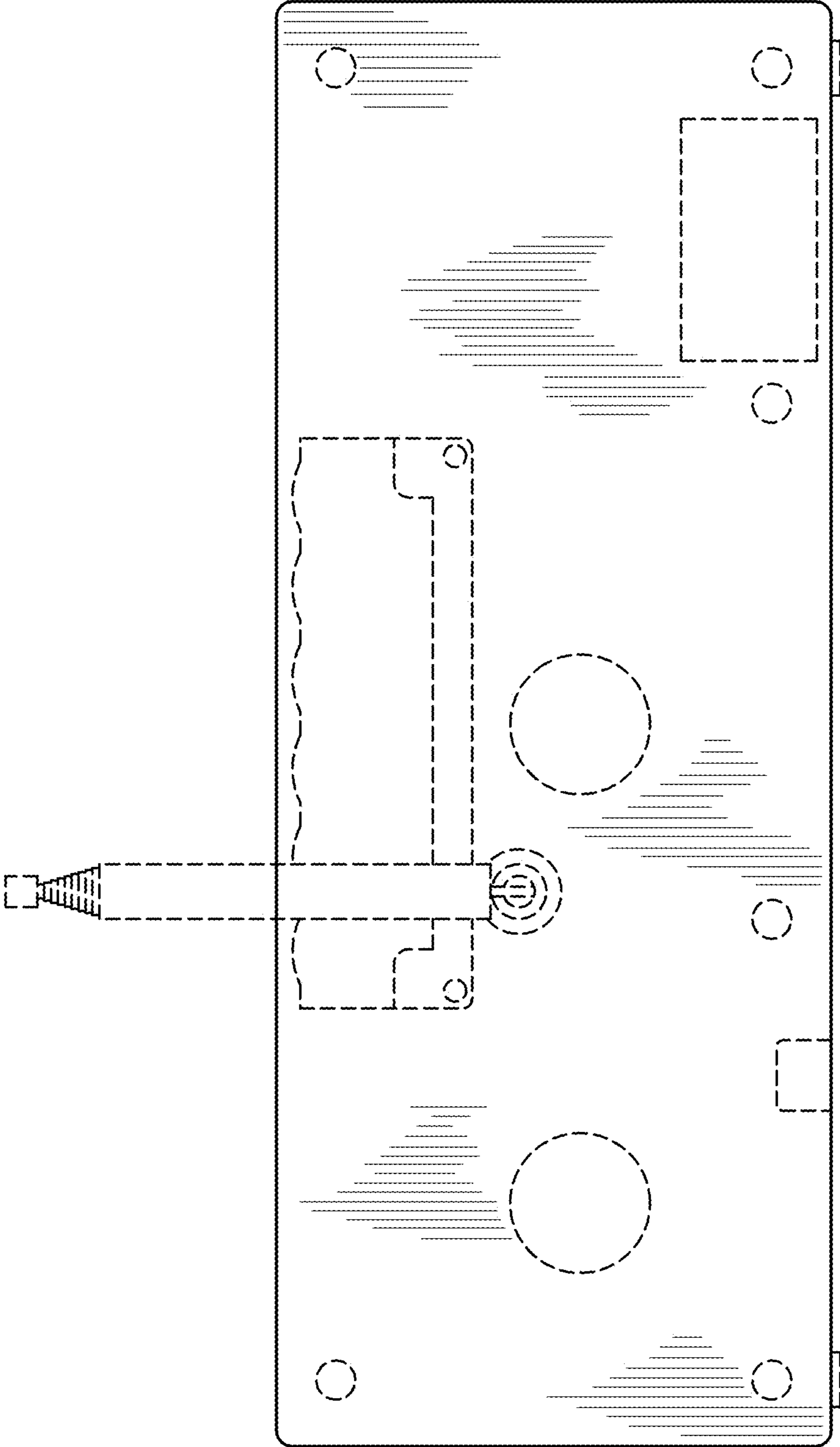


FIG. 8