



US00D746786S

(12) **United States Design Patent**
Choi et al.

(10) **Patent No.:** **US D746,786 S**
(45) **Date of Patent:** **** Jan. 5, 2016**

(54) **MONITOR**

(56) **References Cited**

(71) Applicant: **Samsung Electronics Co., Ltd.**,
Suwon-Si, Gyeonggi-do (KR)
(72) Inventors: **Jinho Choi**, Seoul (KR); **Daehun Jung**,
Seoul (KR)
(73) Assignee: **Samsung Electronics Co., Ltd.**,
Gyeonggi-Do (KR)
(**) Term: **14 Years**

U.S. PATENT DOCUMENTS

D526,975	S	*	8/2006	Rhoades	D14/126
D528,520	S	*	9/2006	Reza	D14/126
D564,463	S	*	3/2008	Chen et al.	D14/126
D603,862	S	*	11/2009	Skinner et al.	D14/337
D666,566	S	*	9/2012	Sugita	D14/126
D690,305	S	*	9/2013	Wen	D14/440
D695,296	S	*	12/2013	Hsu	D14/440
D719,169	S	*	12/2014	McBroom	D14/440
D721,081	S	*	1/2015	Hirst	D14/440
D722,059	S	*	2/2015	Hirst	D14/440
D726,136	S	*	4/2015	Cho et al.	D14/126

* cited by examiner

(21) Appl. No.: **29/457,814**
(22) Filed: **Jun. 13, 2013**

Primary Examiner — Susan Bennett Hattan
Assistant Examiner — Brett Miller
(74) *Attorney, Agent, or Firm* — Harness, Dickey & Pierce,
P.L.C.

(30) **Foreign Application Priority Data**
Dec. 13, 2012 (KR) 30-2012-0060275

(57) **CLAIM**
The ornamental design for a monitor, as shown and described.

(51) **LOC (10) Cl.** **14-03**
(52) **U.S. Cl.**
USPC **D14/126**

DESCRIPTION

(58) **Field of Classification Search**
USPC D14/371–382, 125–134, 239, 448–452,
D14/136, 341, 479, 389, 397, 308, 412, 157,
D14/155, 511, 432, 498, 138 AD, 336, 337,
D14/447, 440; 361/679.02; 348/836, 838,
348/180, 184, 325, 739; 248/917–924, 465;
345/104; D6/300, 301, 302, 308,
D6/310–314; D21/392; D18/18; D19/113
CPC G01F 1/1601
See application file for complete search history.

FIG. 1 is the perspective view of a monitor showing our new design;
FIG. 2 is the front view thereof;
FIG. 3 is the rear view thereof;
FIG. 4 is the left-side view thereof;
FIG. 5 is the right-side view thereof;
FIG. 6 is the top plan view thereof;
FIG. 7 is the bottom plan view thereof;
FIG. 8 is the rear-side perspective view thereof; and,
FIG. 9 illustrates the monitor of FIG. 8 with the stand extended.
The broken lines depict portions of the monitor only and form no part of the claimed design.
The shade lines in the figures show contour and not surface ornamentation.

1 Claim, 8 Drawing Sheets

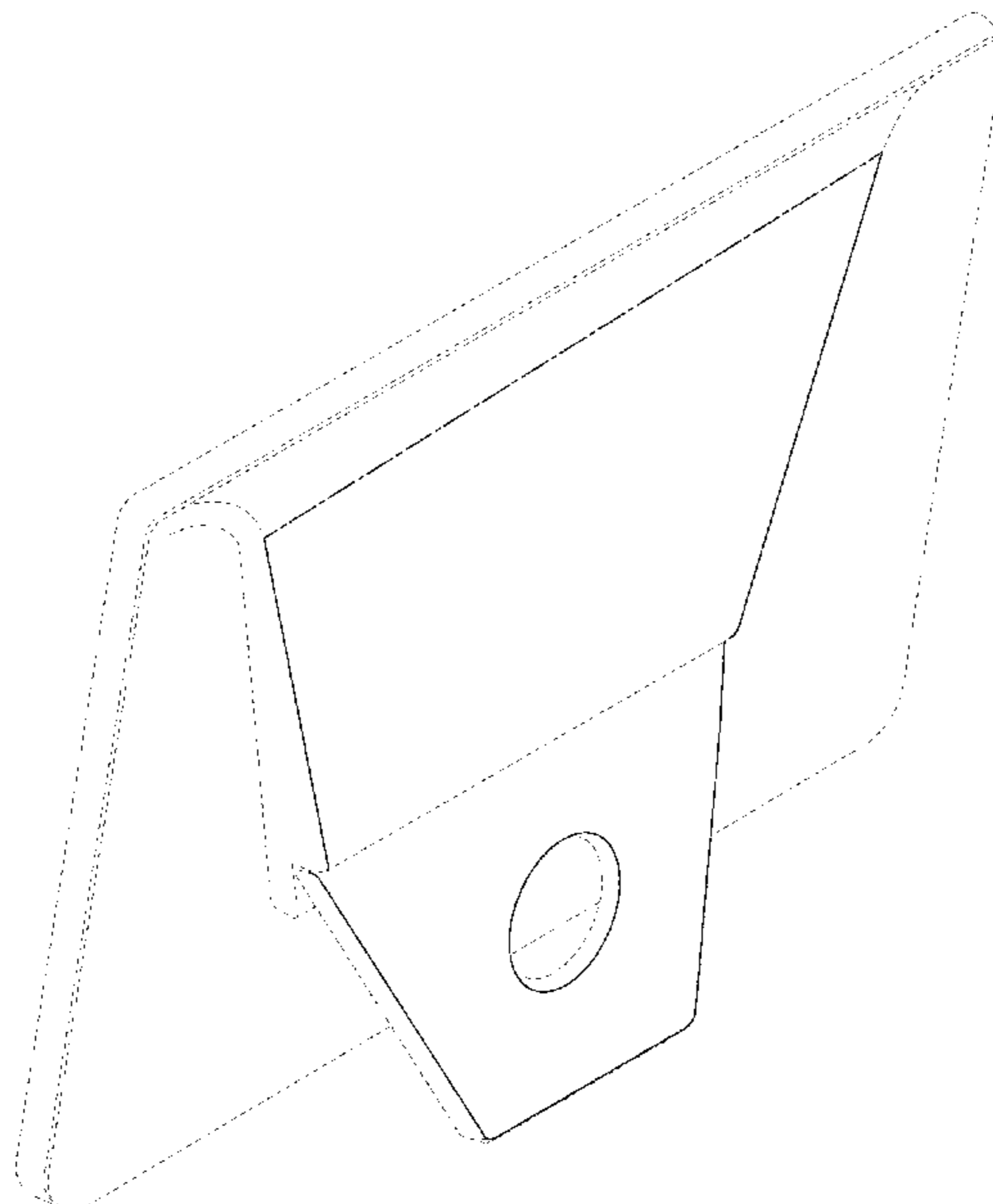


FIG. 1

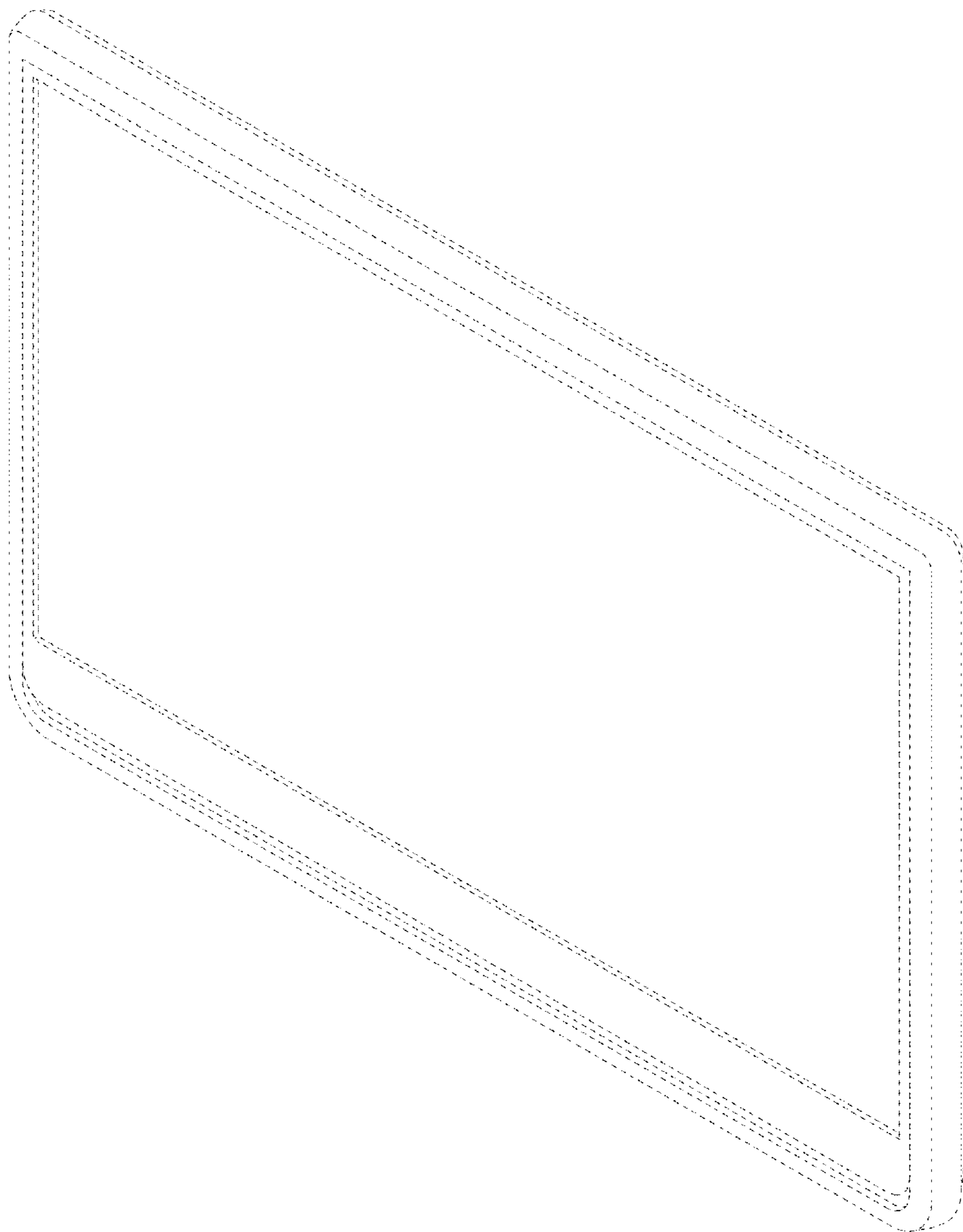


FIG. 2



FIG. 3

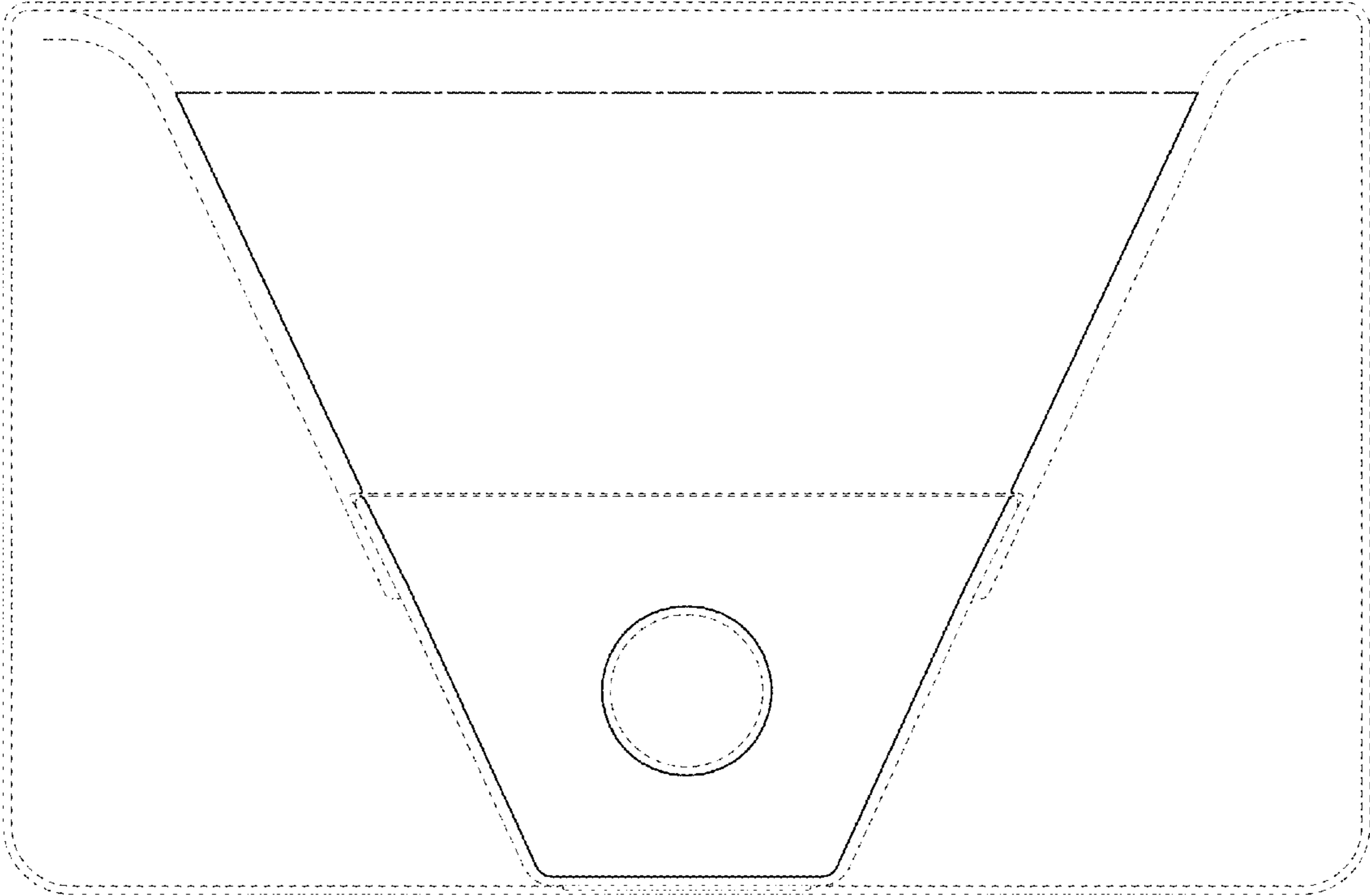


FIG. 4

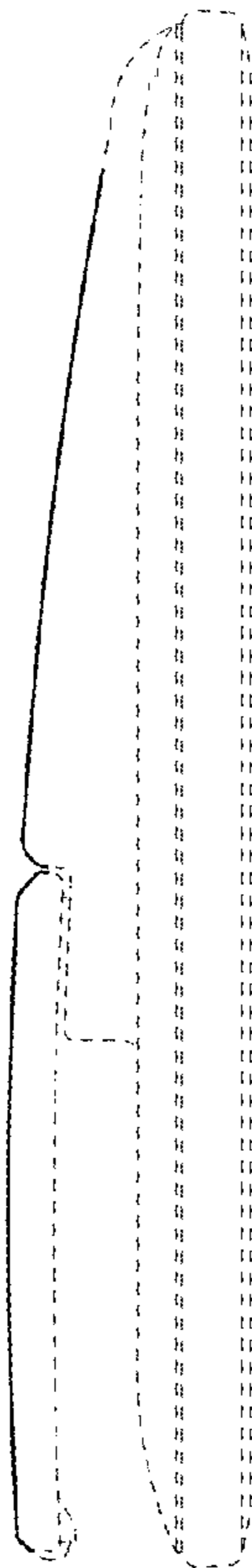


FIG. 5

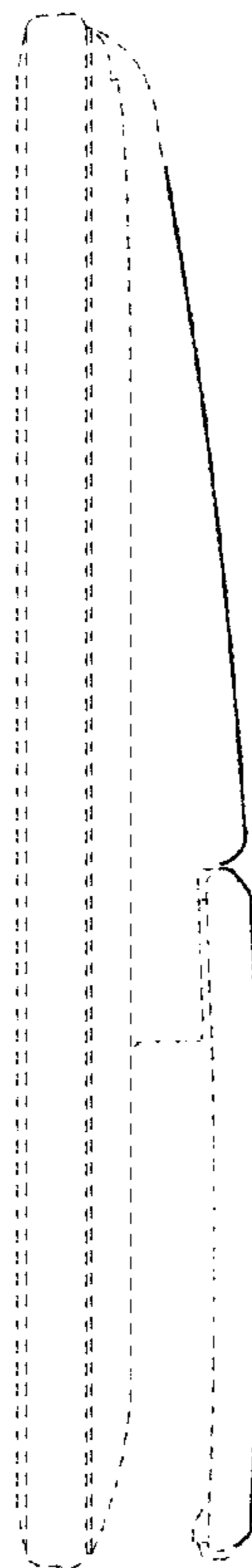


FIG. 6

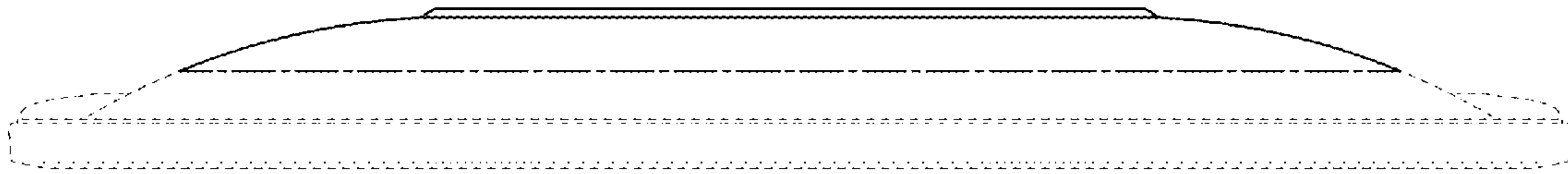


FIG. 7

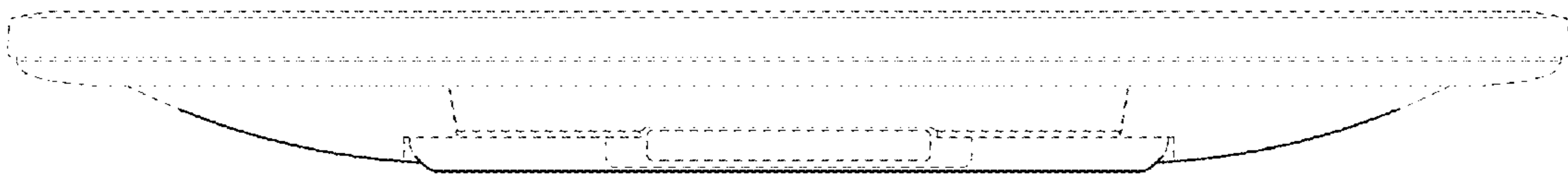


FIG. 8

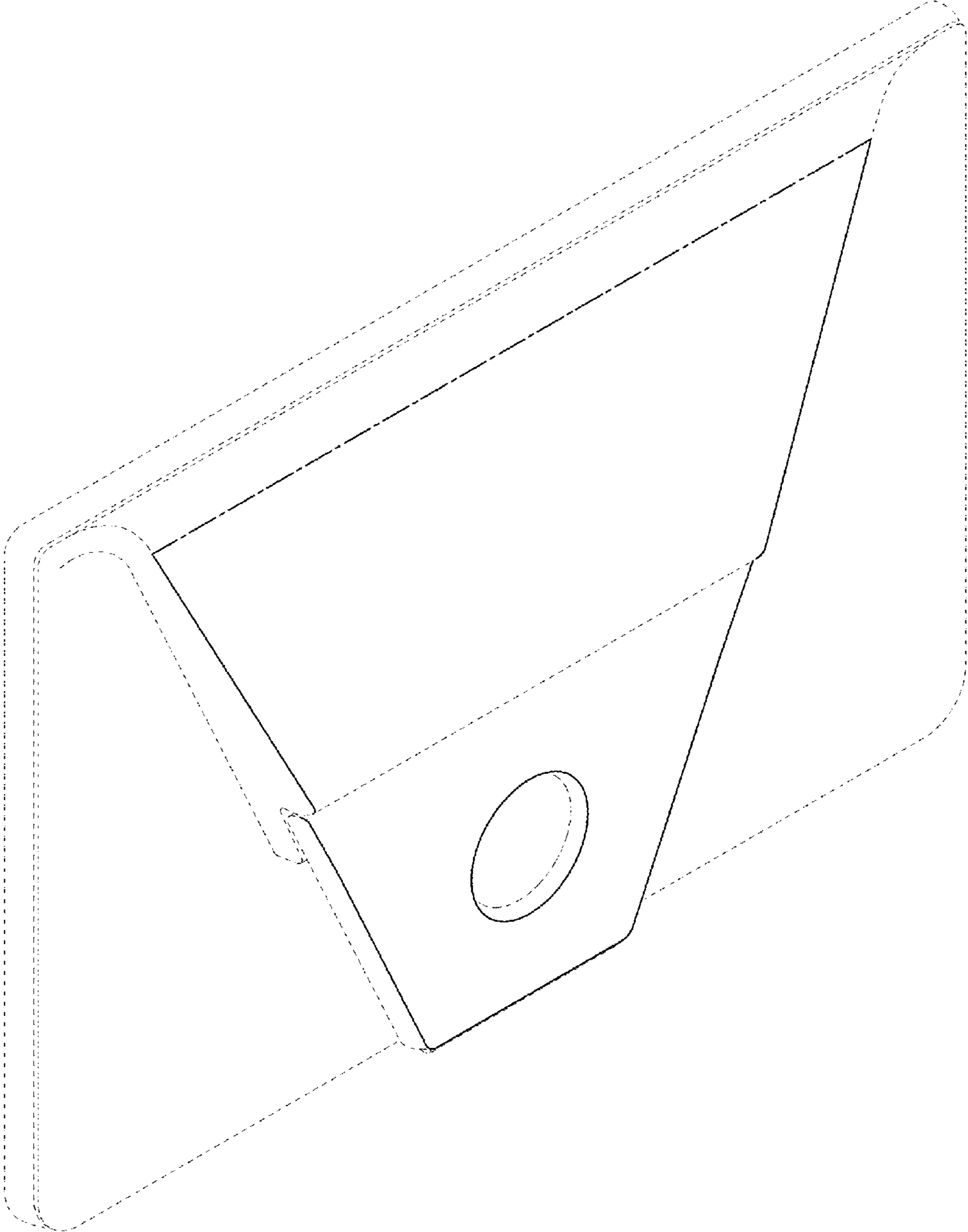


FIG. 9

