



US00D746785S

(12) **United States Design Patent**  
**Bolotin et al.**

(10) **Patent No.:** **US D746,785 S**  
(45) **Date of Patent:** **\*\* Jan. 5, 2016**

- (54) **FOLDABLE PROCESSING APPARATUS**
- (71) Applicant: **ClevX, LLC**, Kirkland, WA (US)
- (72) Inventors: **Lev M. Bolotin**, Kirkland, WA (US);  
**Robert B. Hubler**, Woodinville, WA (US)
- (73) Assignee: **ClevX, LLC**, Kirkland, WA (US)
- (\*\*) Term: **14 Years**
- (21) Appl. No.: **29/503,951**
- (22) Filed: **Sep. 30, 2014**
- (51) **LOC (10) Cl.** ..... **13-03**
- (52) **U.S. Cl.**  
USPC ..... **D13/182**
- (58) **Field of Classification Search**  
USPC ..... D13/110, 102, 107, 108, 123, 133, 184,  
D13/199, 162, 182; D14/217, 238.1, 432,  
D14/433, 435.1, 483; 307/149, 150, 151;  
363/140, 142, 143, 146; 439/171, 172,  
439/173, 218, 518, 650-652, 692, 956  
CPC ..... H01R 12/70; H05K 13/04; H05K 5/02  
See application file for complete search history.

6,841,739	B2	1/2005	Moore	
6,883,718	B1	4/2005	Le et al.	
6,908,038	B1	6/2005	Le	
7,124,238	B2	10/2006	Hong	
7,265,719	B1	9/2007	Moosbrugger et al.	
7,344,072	B2	3/2008	Gonzalez et al.	
7,537,169	B2	5/2009	Gonzalez et al.	
D603,812	S	11/2009	Johnson et al.	
D607,886	S *	1/2010	Bolotin et al.	..... D14/480.1
D631,058	S	1/2011	Chin et al.	
D670,712	S *	11/2012	Bolotin et al.	..... D14/480.5
8,531,843	B2	9/2013	Johnson et al.	
9,013,885	B2	4/2015	Johnson et al.	
2004/0020687	A1	2/2004	Moore	
2007/0070611	A1	3/2007	Koh	
2007/0243769	A1	10/2007	Atsmon et al.	
2013/0083464	A1	4/2013	Becze et al.	
2015/0017819	A1	1/2015	Bolotin et al.	

\* cited by examiner

*Primary Examiner* — Derrick Holland

(74) *Attorney, Agent, or Firm* — Ishimaru & Associates LLP

(57) **CLAIM**

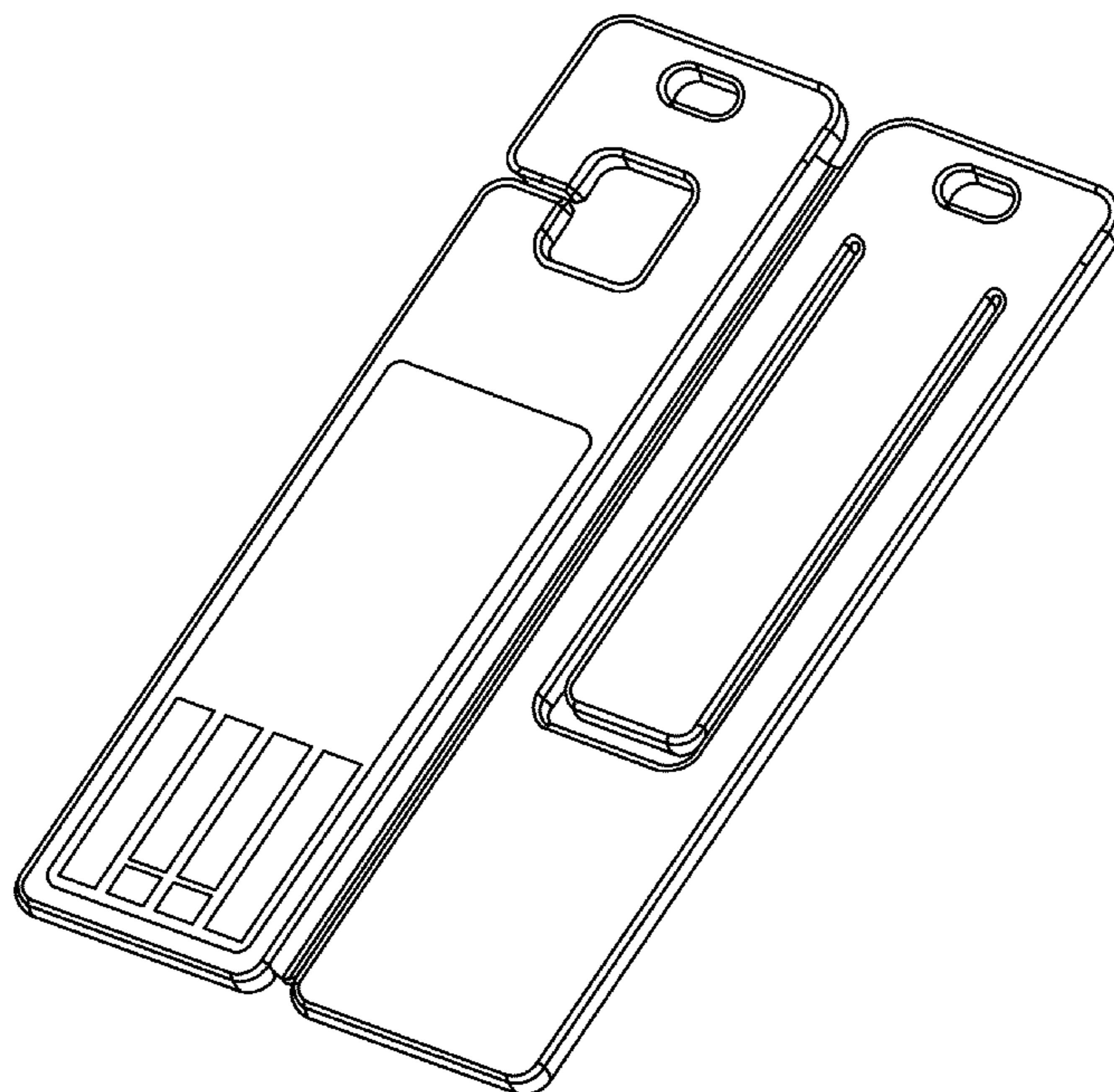
The ornamental design for a foldable processing apparatus, as shown and described.

**DESCRIPTION**

FIG. 1 is a perspective view of a foldable processing apparatus showing our new design;  
 FIG. 2 is a perspective view of the back side thereof;  
 FIG. 3 is a front view thereof;  
 FIG. 4 is a back view thereof;  
 FIG. 5 is a bottom view thereof;  
 FIG. 6 is a top view thereof;  
 FIG. 7 is a right view thereof; and,  
 FIG. 8 is a left side view thereof.

**1 Claim, 6 Drawing Sheets**

- (56) **References Cited**  
U.S. PATENT DOCUMENTS
- 5,452,182 A 9/1995 Eichelberger et al.
- 5,703,755 A 12/1997 Flesher et al.
- 5,858,568 A 1/1999 Hsu et al.
- 5,917,149 A 6/1999 Barclay et al.
- D437,297 S \* 2/2001 Hubler et al. .... D13/162
- 6,307,751 B1 10/2001 Bodony et al.
- 6,733,329 B2 5/2004 Yang



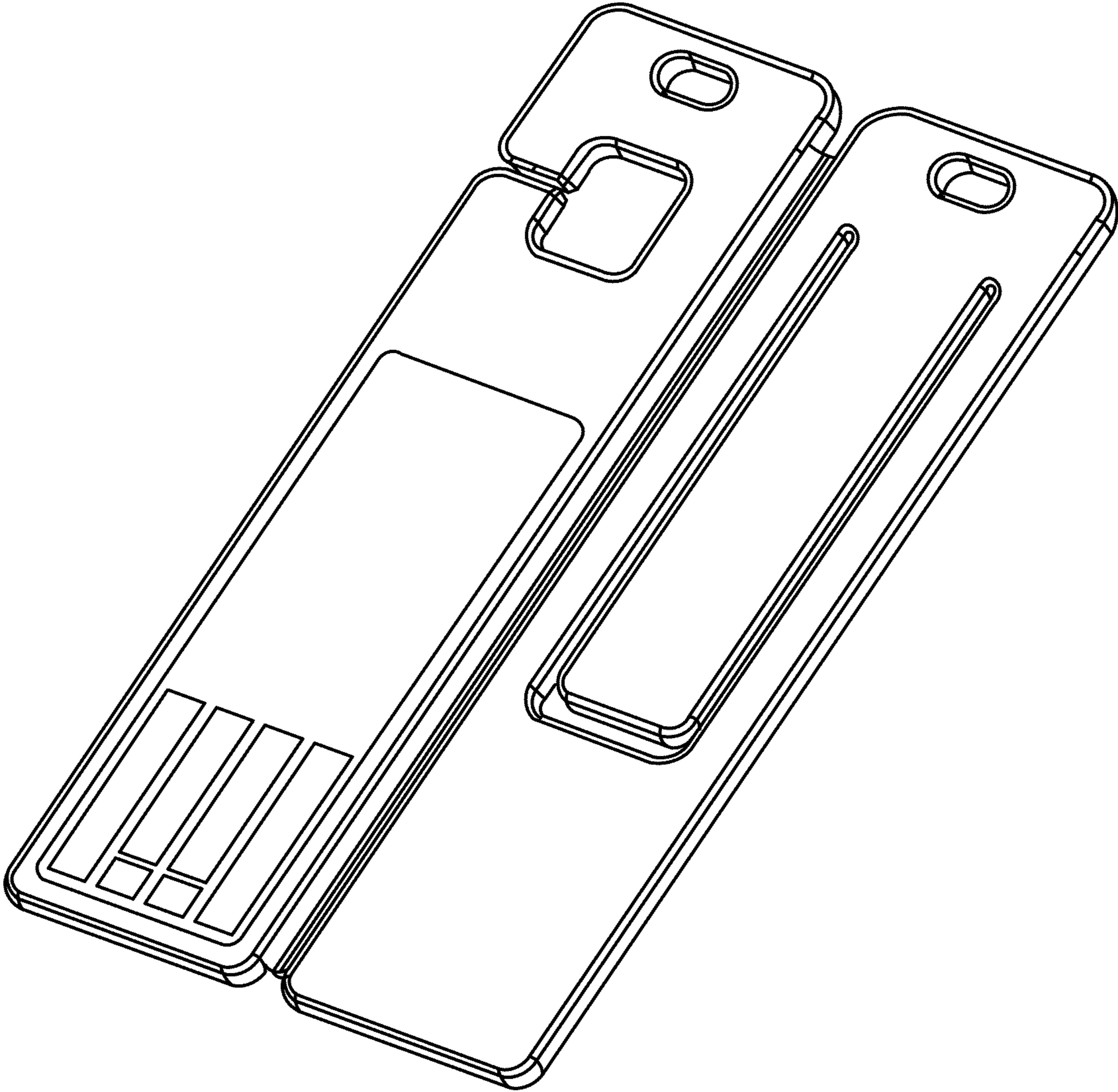


FIG. 1

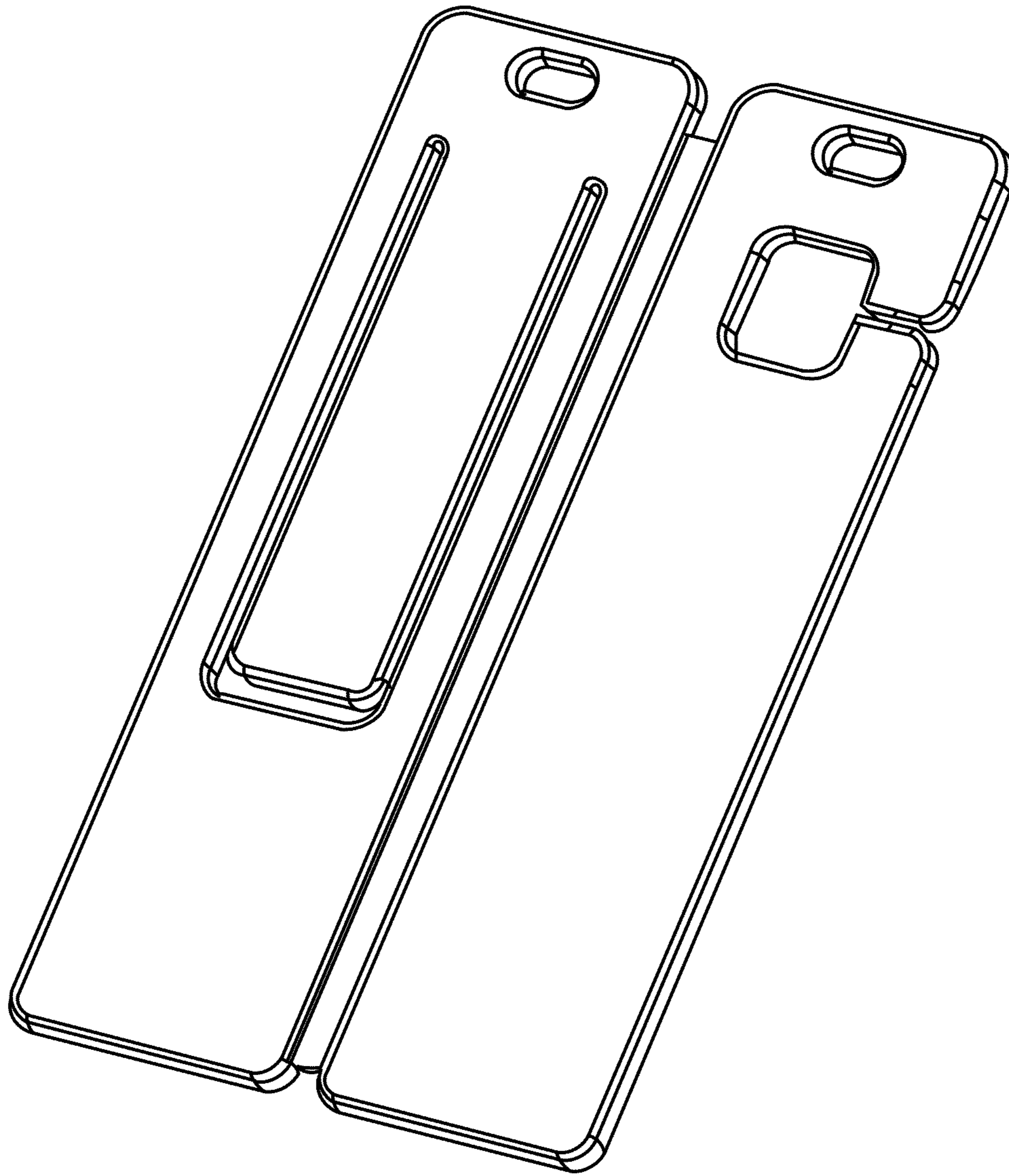


FIG. 2

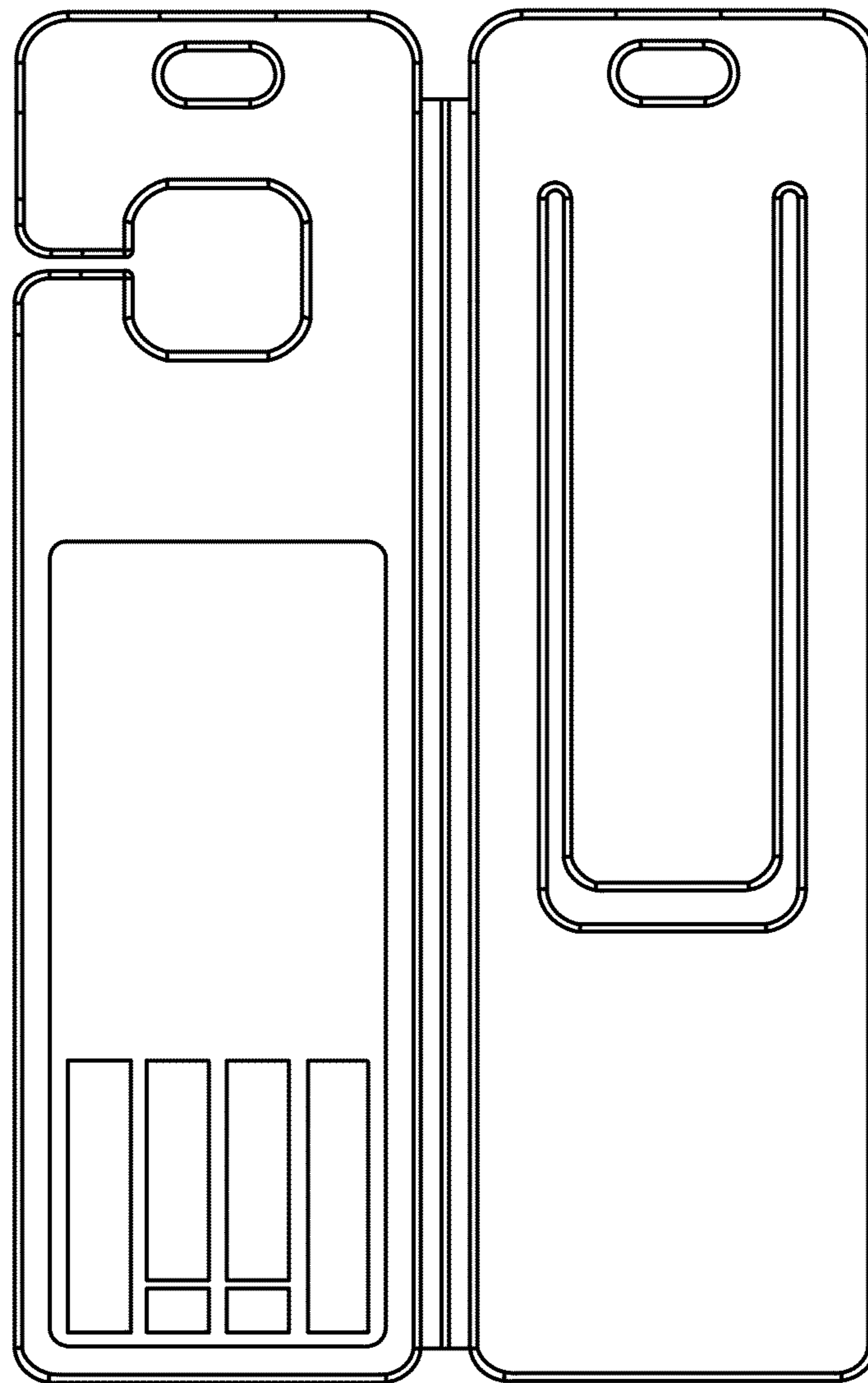


FIG. 3



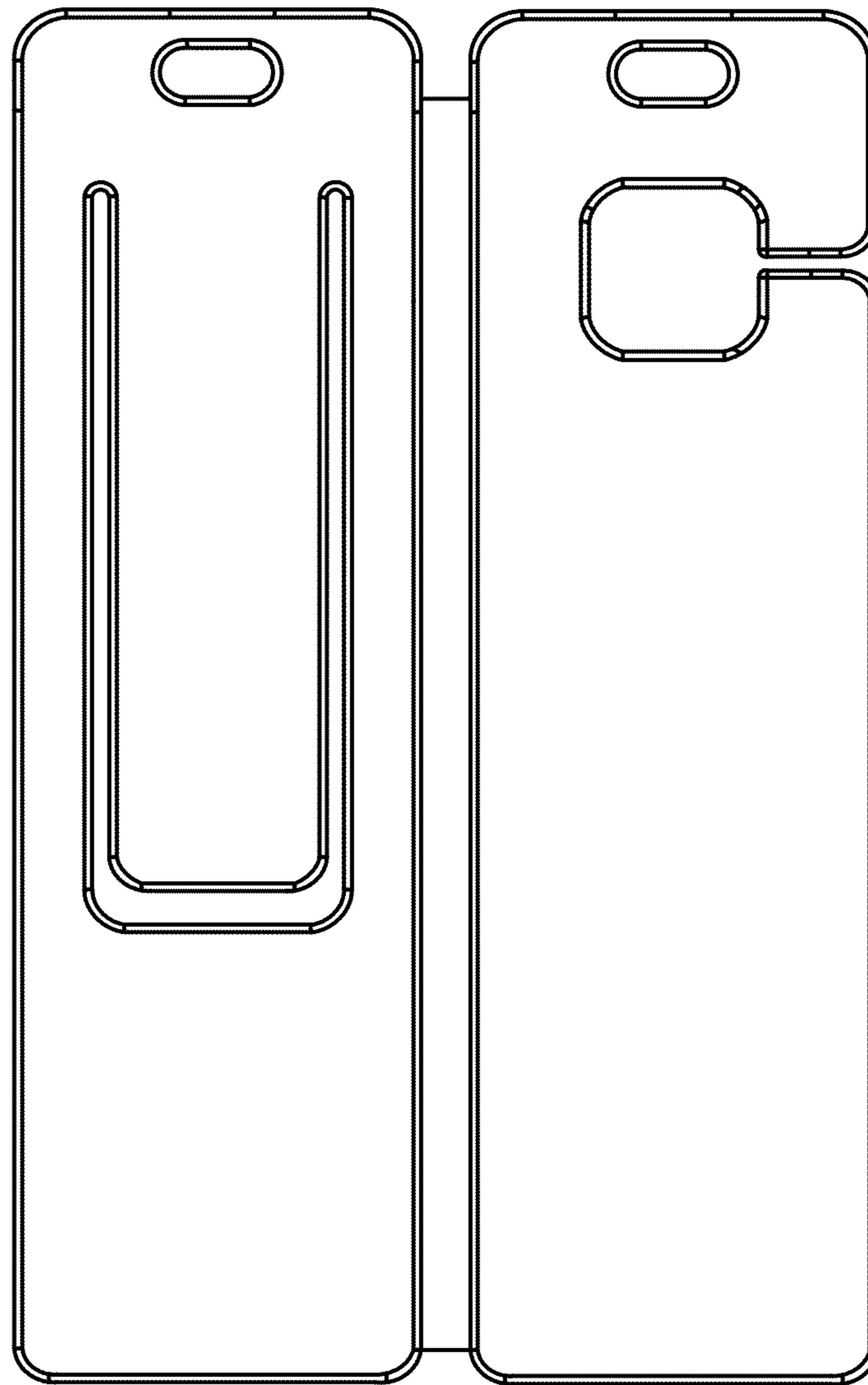


FIG. 4

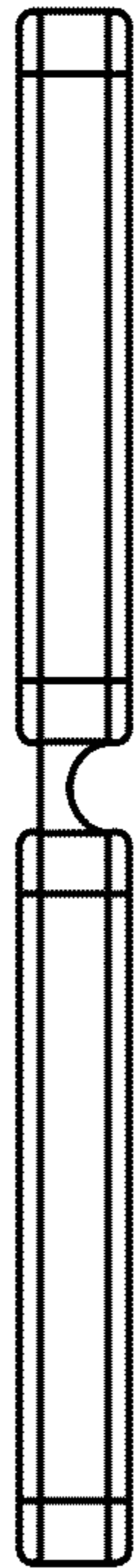


FIG. 5



FIG. 6

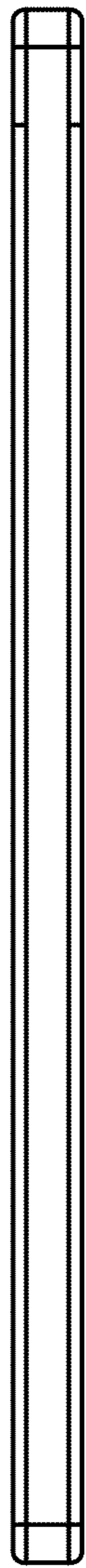


FIG. 7

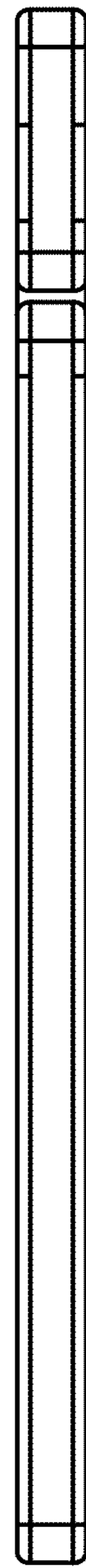


FIG. 8