



US00D746783S

(12) **United States Design Patent**
Smeja

(10) **Patent No.:** **US D746,783 S**
(45) **Date of Patent:** **** Jan. 5, 2016**

(54) **MULTI-CABLE MANAGER**

(56) **References Cited**

(71) Applicant: **Limitless Innovations, Inc.**, McHenry, IL (US)

(72) Inventor: **Michael V. Smeja**, Inverness, IL (US)

(73) Assignee: **Limitless Innovations**, McHenry, IL (US)

(**) Term: **14 Years**

(21) Appl. No.: **29/510,760**

(22) Filed: **Dec. 3, 2014**

Related U.S. Application Data

(62) Division of application No. 29/436,079, filed on Oct. 31, 2012, now Pat. No. Des. 721,335.

(51) **LOC (10) Cl.** **13-03**

(52) **U.S. Cl.**
USPC **D13/155**

(58) **Field of Classification Search**
USPC D13/155, 133, 149, 153, 154, 184, 199;
D8/353, 356, 358, 499; D9/424, 426,
D9/427, 432; D28/73, 82, 83; 174/68.1,
174/72 C, 135, 266; 242/601; 439/369, 384,
439/499, 607.41
CPC H01R 13/60; H01R 13/72; H01R 13/5213;
H01R 13/5221

See application file for complete search history.

U.S. PATENT DOCUMENTS

6,099,340	A *	8/2000	Florentine	439/367
6,702,077	B2 *	3/2004	Skowronski	191/12.2 R
6,736,669	B1 *	5/2004	Martin et al.	439/527
7,077,693	B1 *	7/2006	Symons	439/501
7,168,967	B1 *	1/2007	Yen	439/164
D706,225	S *	6/2014	deLoache et al.	D13/155

* cited by examiner

Primary Examiner — Derrick Holland

(74) *Attorney, Agent, or Firm* — Reed Smith, LLP

(57) **CLAIM**

The ornamental design for a multi-cable manager, as shown and described.

DESCRIPTION

FIG. 1 is a perspective view of a multi-cable manager showing my new design;

FIG. 2 is a first side view thereof;

FIG. 3 is a second side view thereof;

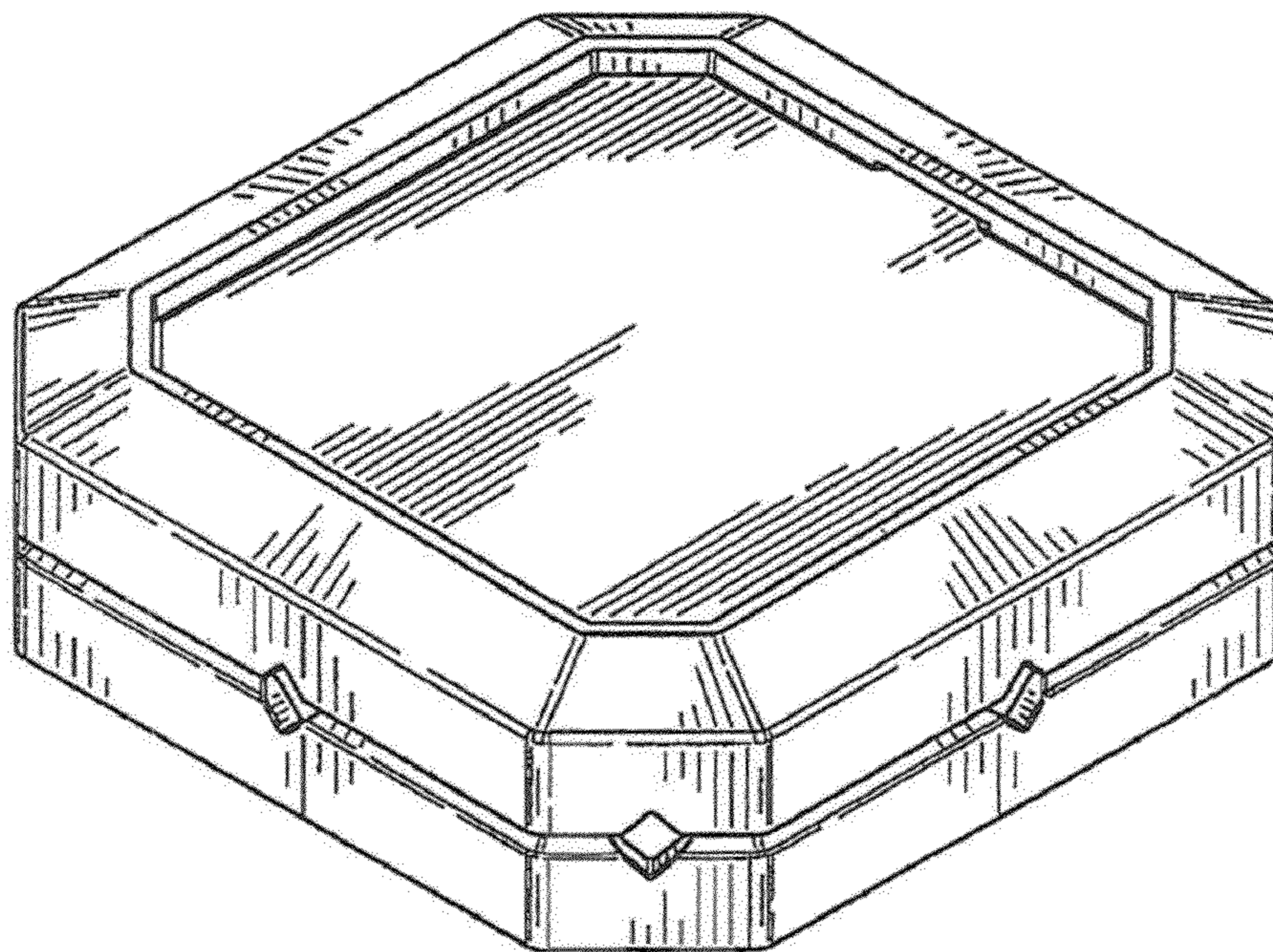
FIG. 4 is a third side view thereof;

FIG. 5 is a top plan view thereof; and,

FIG. 6 is a bottom plan view thereof.

The broken lines shown represent unclaimed subject matter and form no part of the claimed design.

1 Claim, 3 Drawing Sheets



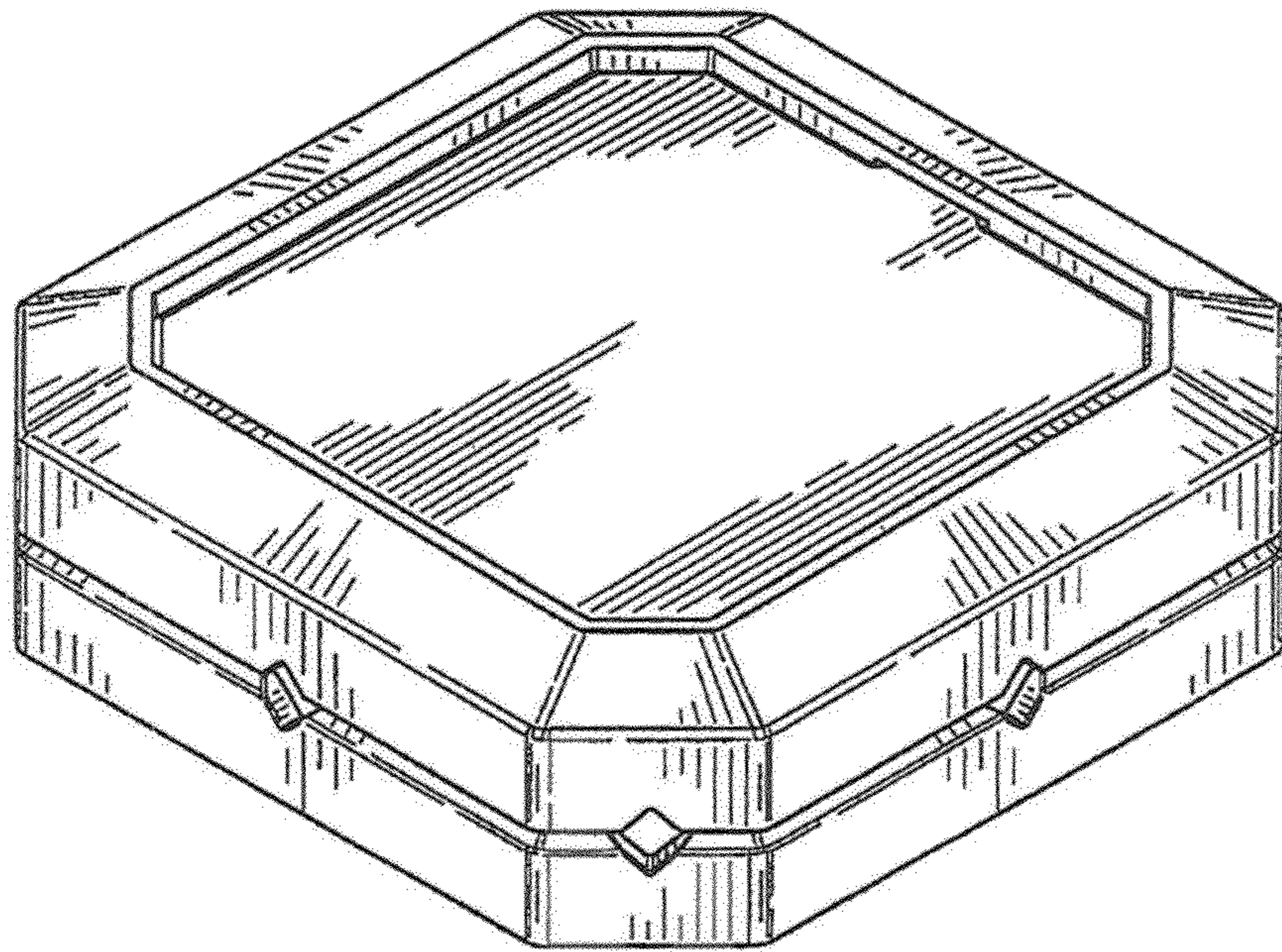


FIG. 1

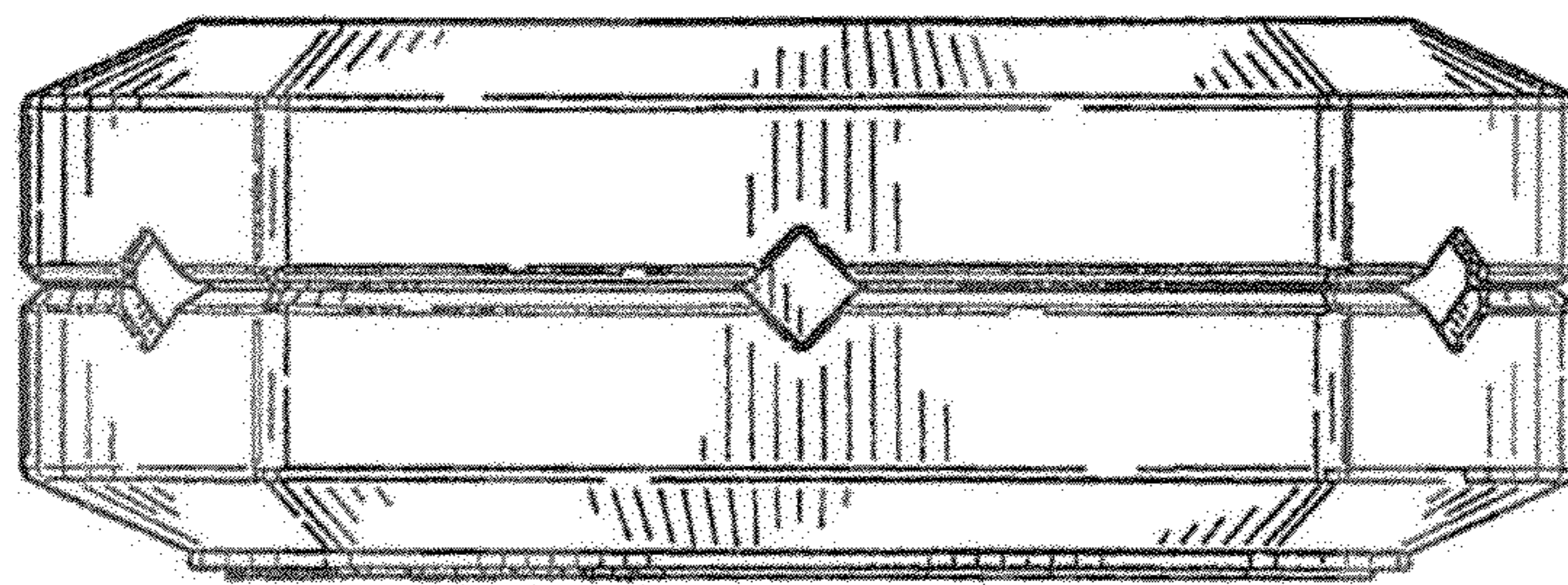


FIG. 2

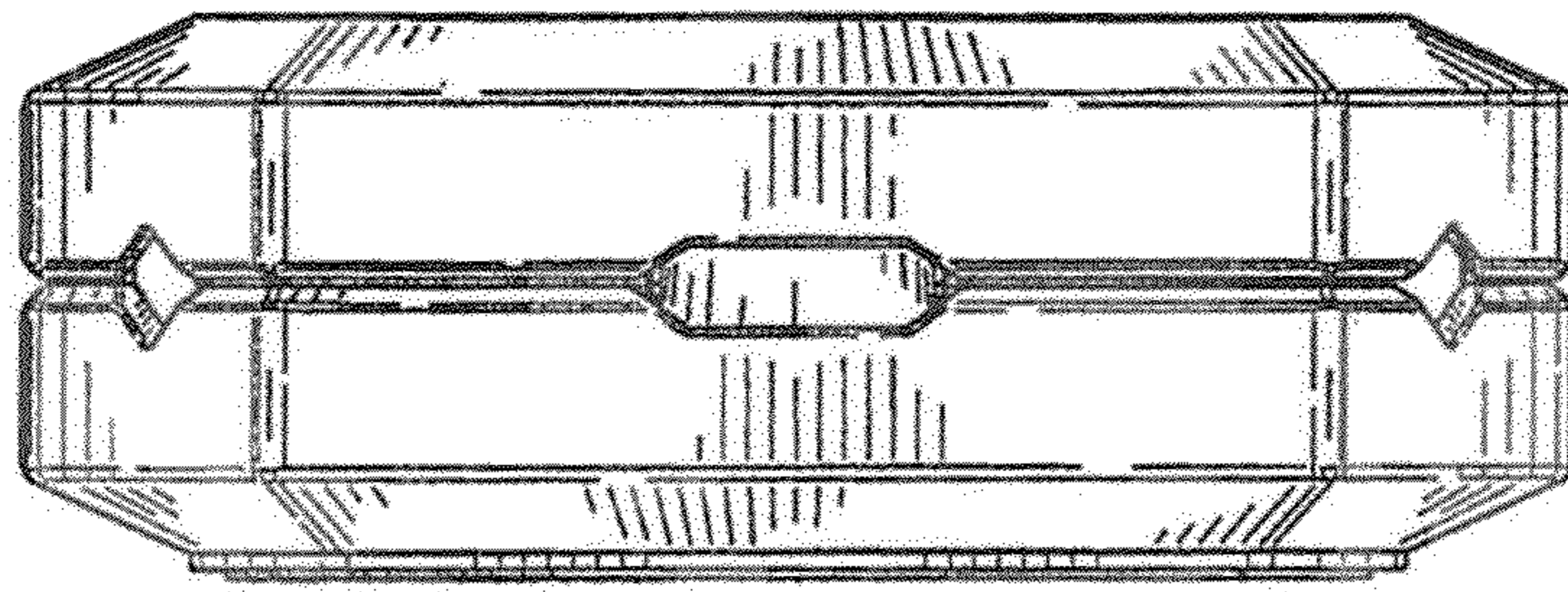


FIG. 3

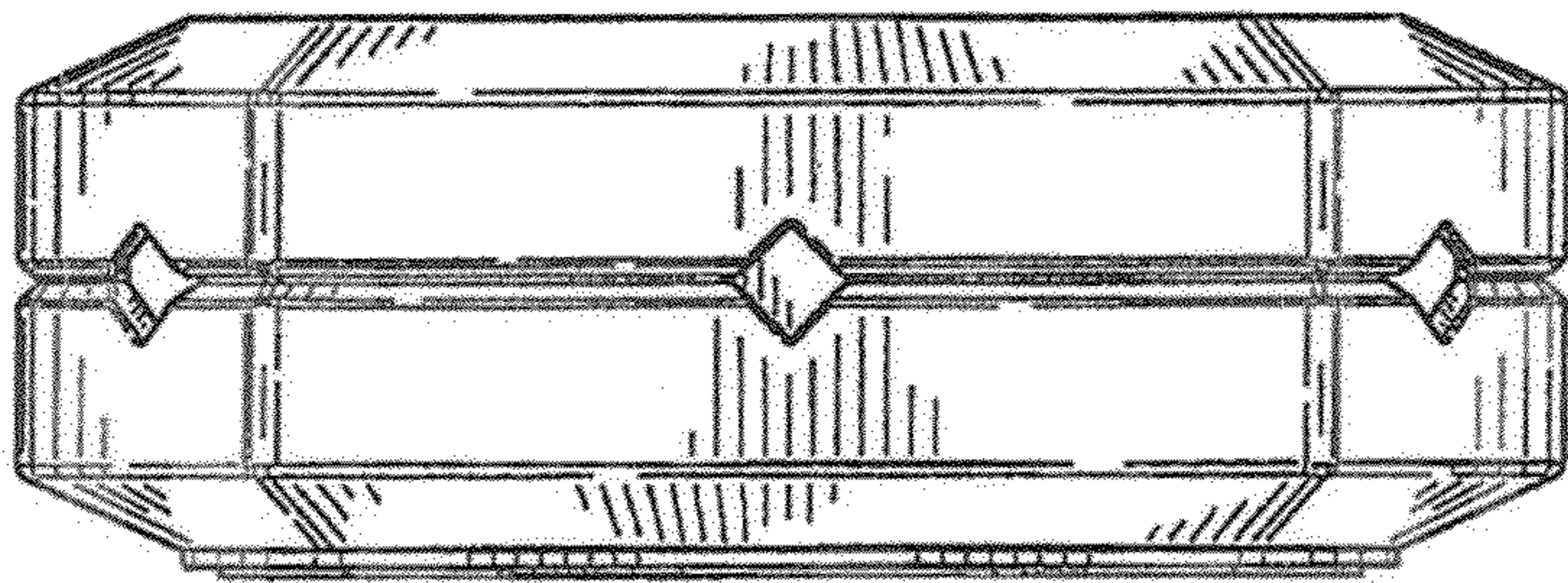


FIG. 4

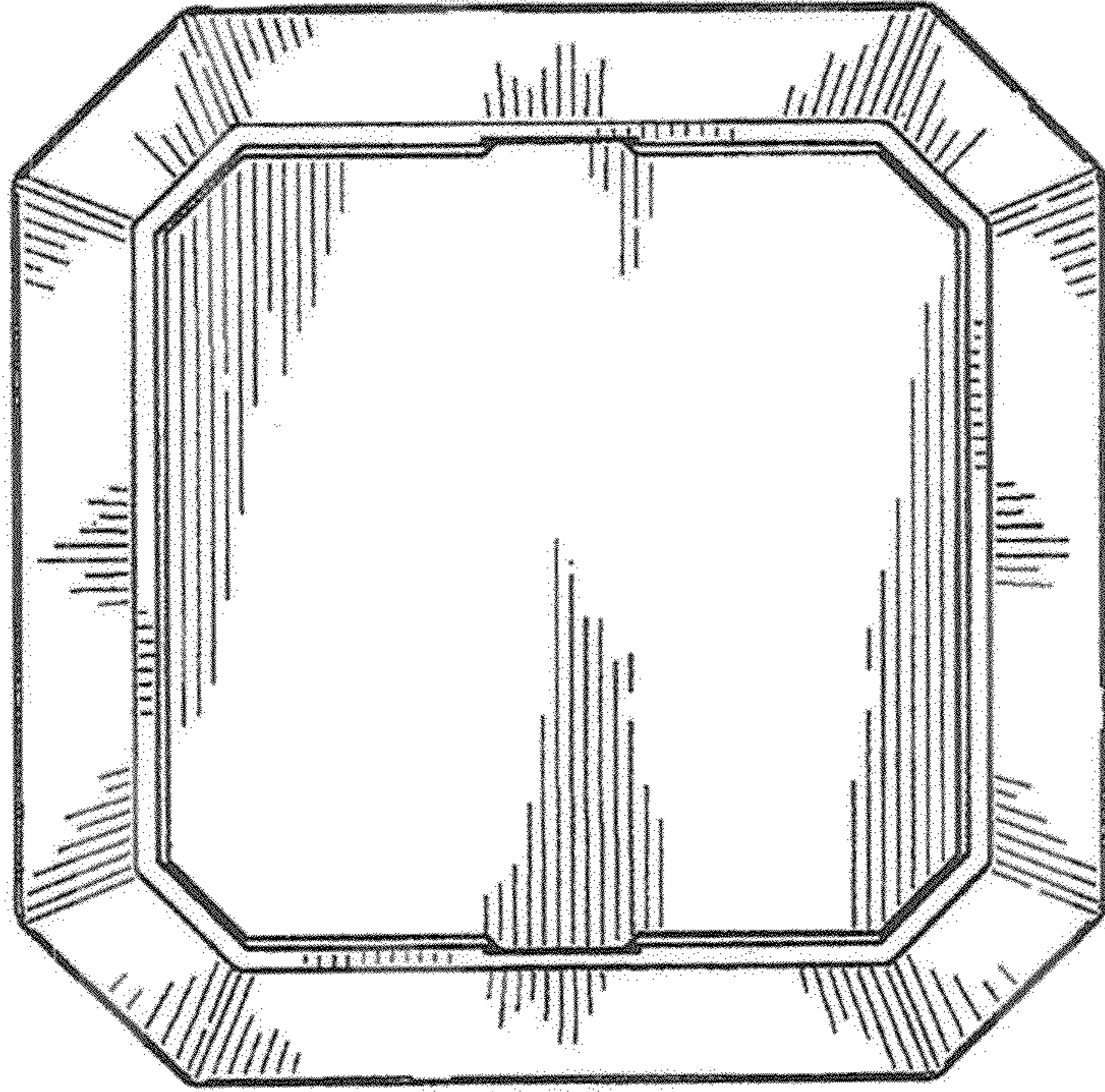


FIG. 5

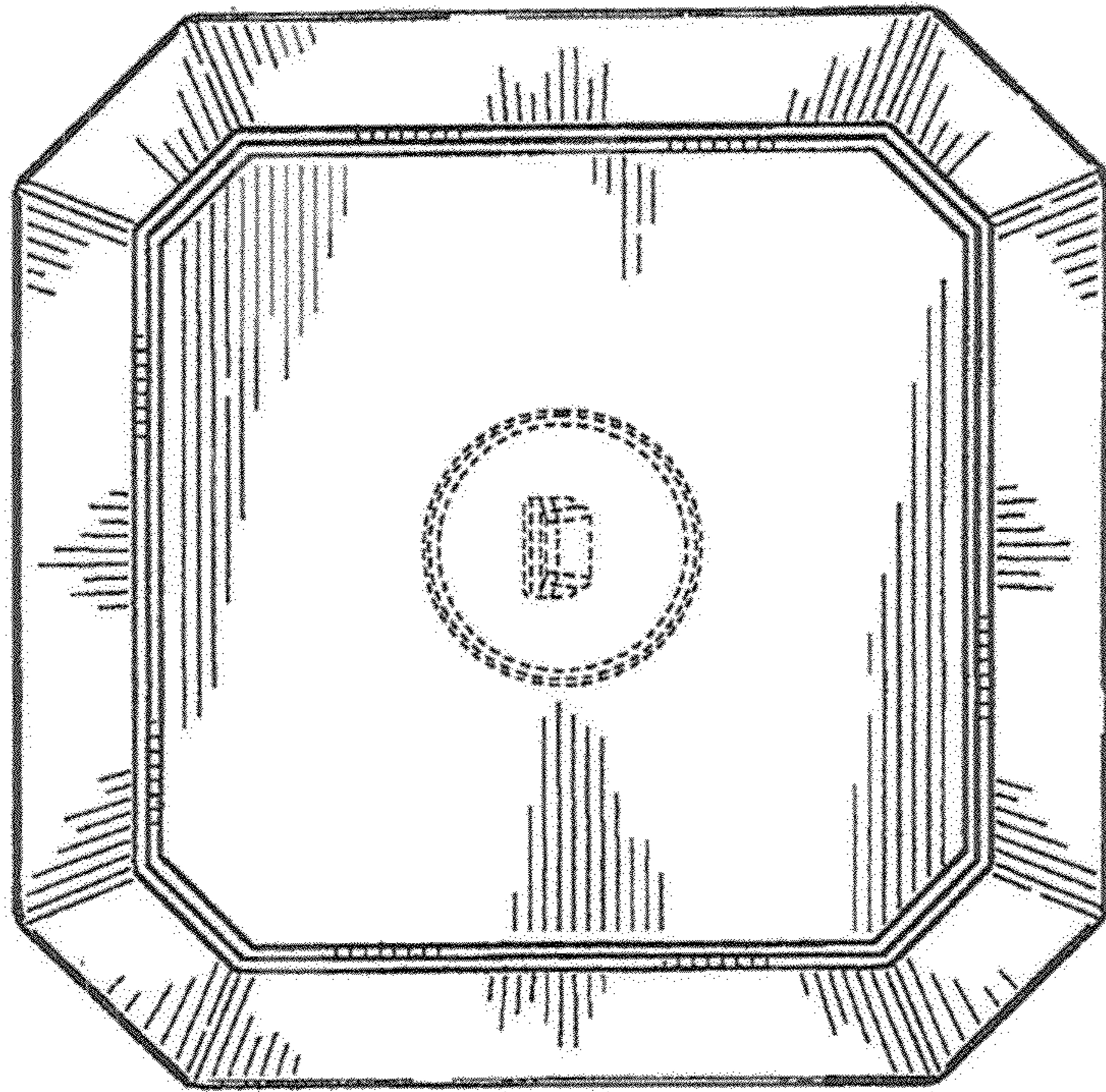


FIG. 6