



US00D746782S

(12) **United States Design Patent**
Blattel

(10) **Patent No.:** **US D746,782 S**
(45) **Date of Patent:** **** Jan. 5, 2016**

(54) **CABLE RETENTION UNIT**
(71) Applicant: **David George Blattel**, Topanga, CA
(US)
(72) Inventor: **David George Blattel**, Topanga, CA
(US)
(**) Term: **14 Years**
(21) Appl. No.: **29/507,274**
(22) Filed: **Oct. 24, 2014**
(51) **LOC (10) Cl.** **13-03**
(52) **U.S. Cl.**
USPC **D13/155**
(58) **Field of Classification Search**
USPC D13/155, 153, 154, 156, 157, 184, 199;
D8/349, 354, 356, 394; 174/68.1, 68.2,
174/68.3; 248/49, 53, 60; 361/827;
385/134, 135; 439/207, 210, 445, 446,
439/447; D16/242, 245
CPC .. B60R 16/0207; B60R 16/0215; H02G 3/04;
H02G 3/30; H02G 3/283; H02G 3/0406;
H02G 3/0437; H02G 11/00; H05K 9/0007;
G03B 17/14; G03B 17/26; G03B 17/30;
G03B 17/56
See application file for complete search history.

7,999,183 B2 * 8/2011 Garza H02G 3/30
174/100
D689,114 S * 9/2013 Green D16/242
2013/0121115 A1 * 5/2013 Johnson B63B 17/00
367/173

OTHER PUBLICATIONS

Tetherblock™ advertisement, 2012 (1 page).

* cited by examiner

Primary Examiner — Derrick Holland
(74) *Attorney, Agent, or Firm* — Blakely Sokoloff Taylor & Zafman LLP

CLAIM

(57) The ornamental design for a cable retention unit, as shown and described.

DESCRIPTION

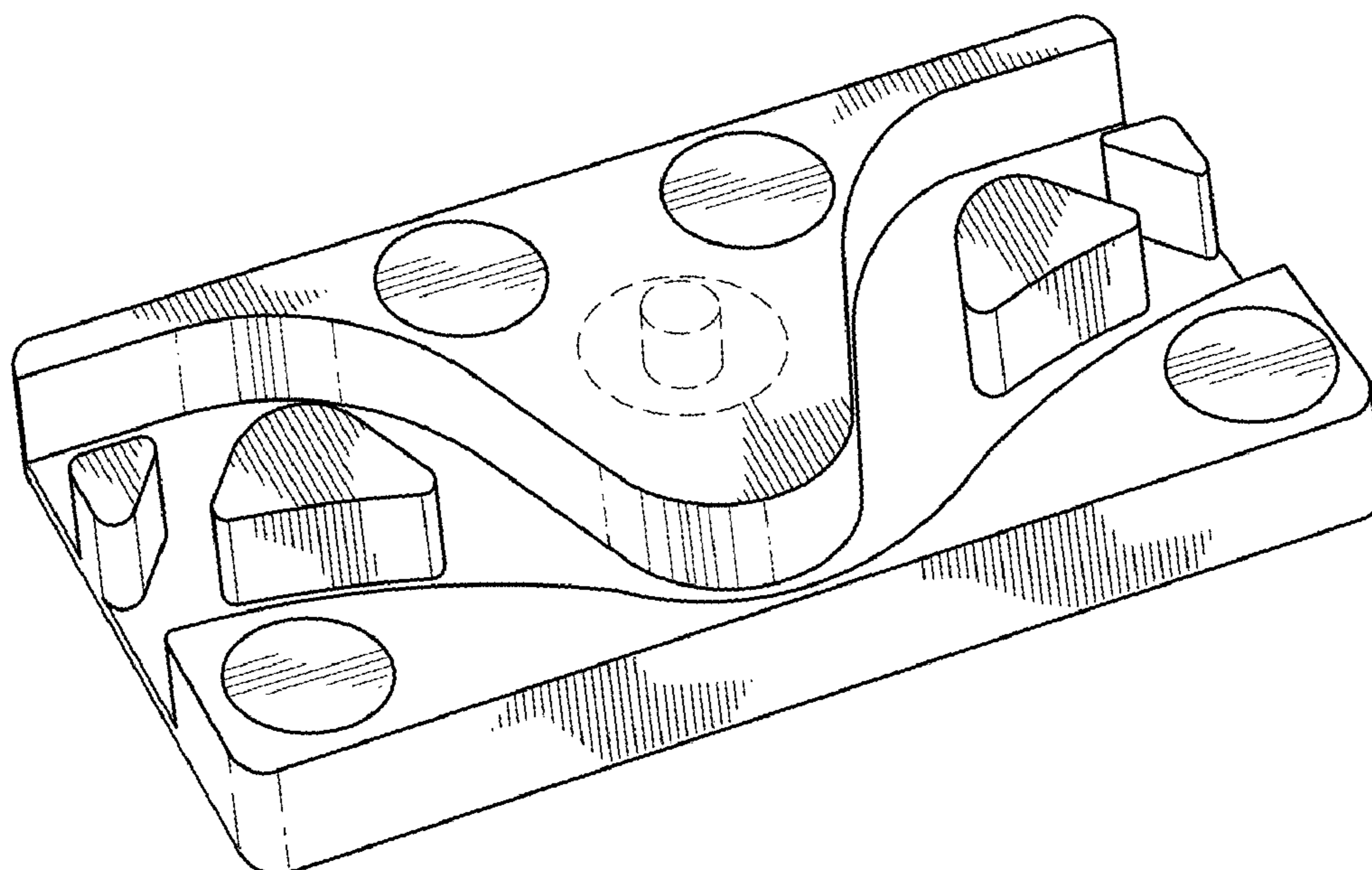
FIG. 1 is a bottom, front perspective view of a cable retention unit showing my new design;
FIG. 2 is a top front perspective view thereof;
FIG. 3 is a top plan view thereof;
FIG. 4 is a bottom plan view thereof;
FIG. 5 is a front elevation view thereof;
FIG. 6 is a rear elevation view thereof;
FIG. 7 is a right side elevation view thereof; and,
FIG. 8 is a left side elevation view thereof.
The broken lines shown represent unclaimed subject matter and form no part of the claimed design.

(56) **References Cited**

U.S. PATENT DOCUMENTS

D449,282 S * 10/2001 Kramer D13/199
D520,863 S * 5/2006 Schwartz D8/394

1 Claim, 3 Drawing Sheets



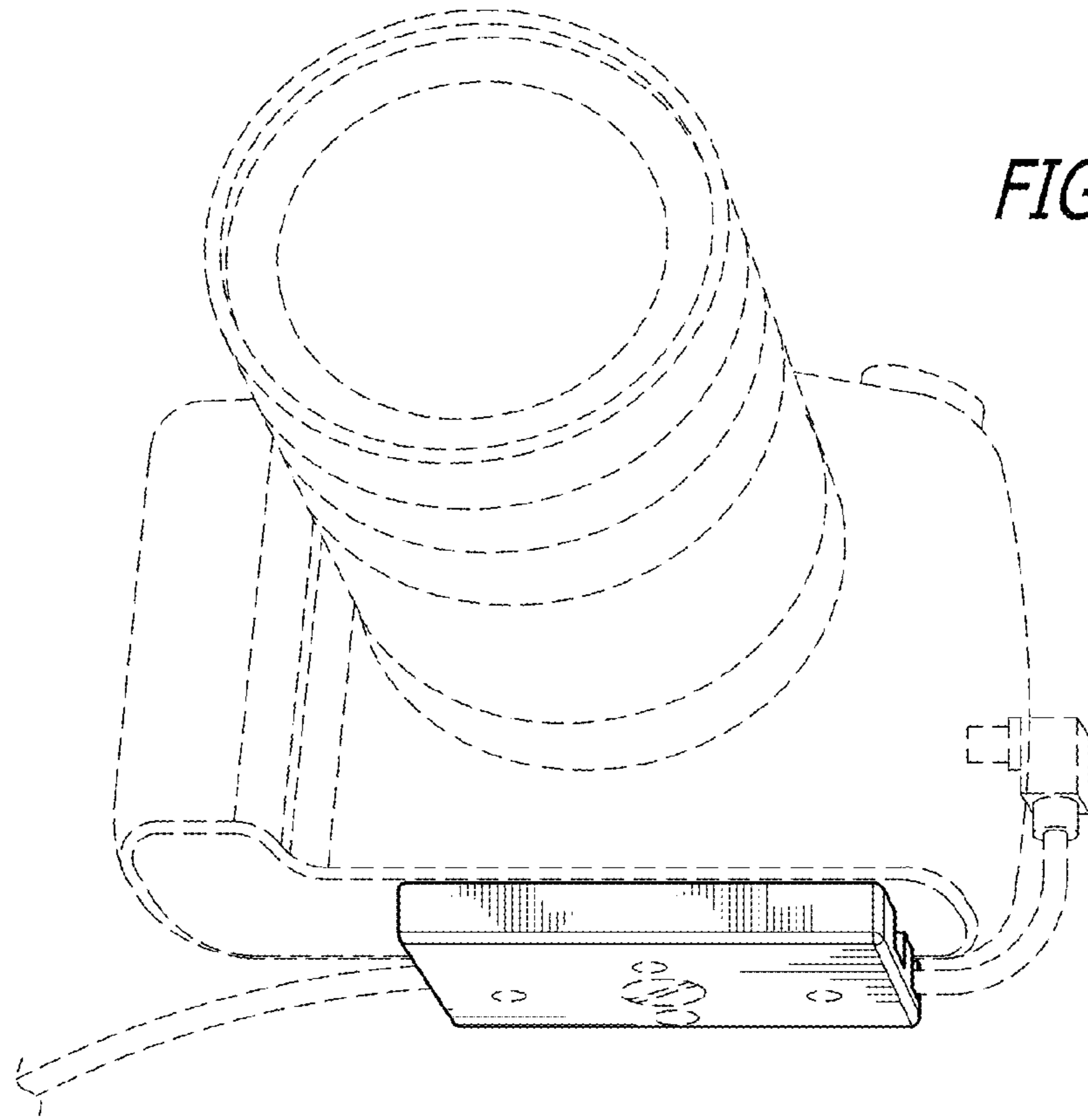


FIG. 1

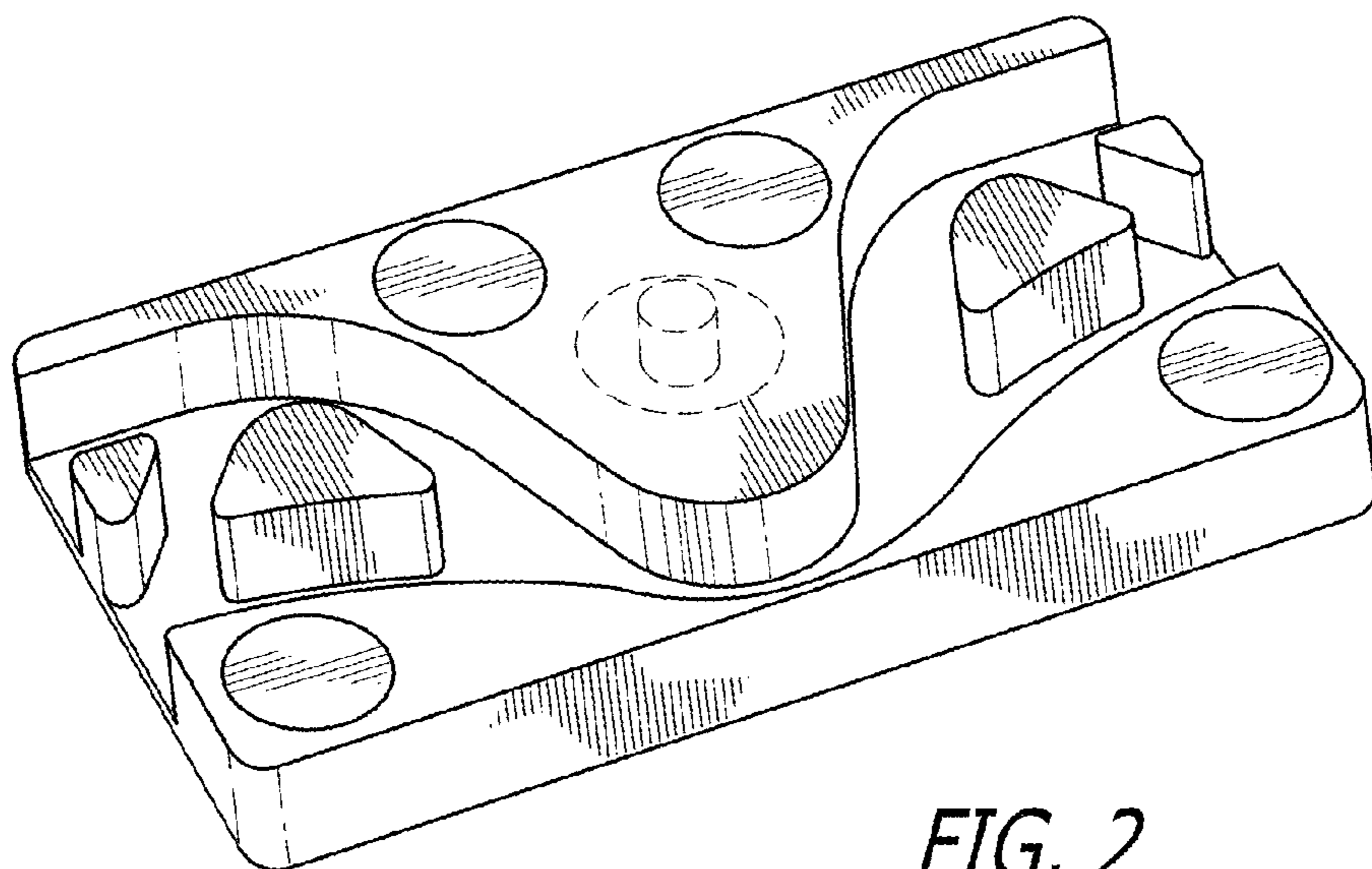


FIG. 2

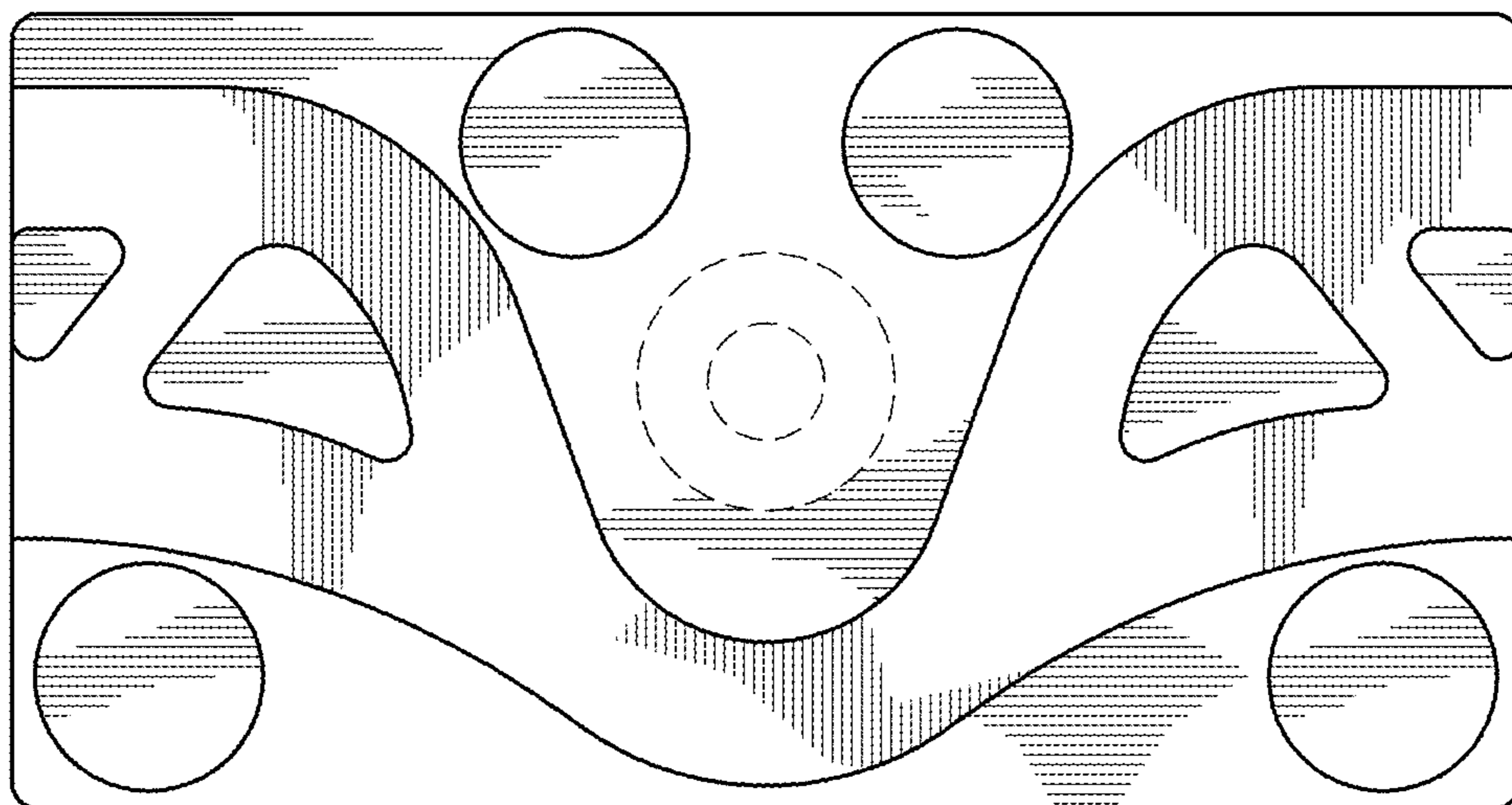


FIG. 3

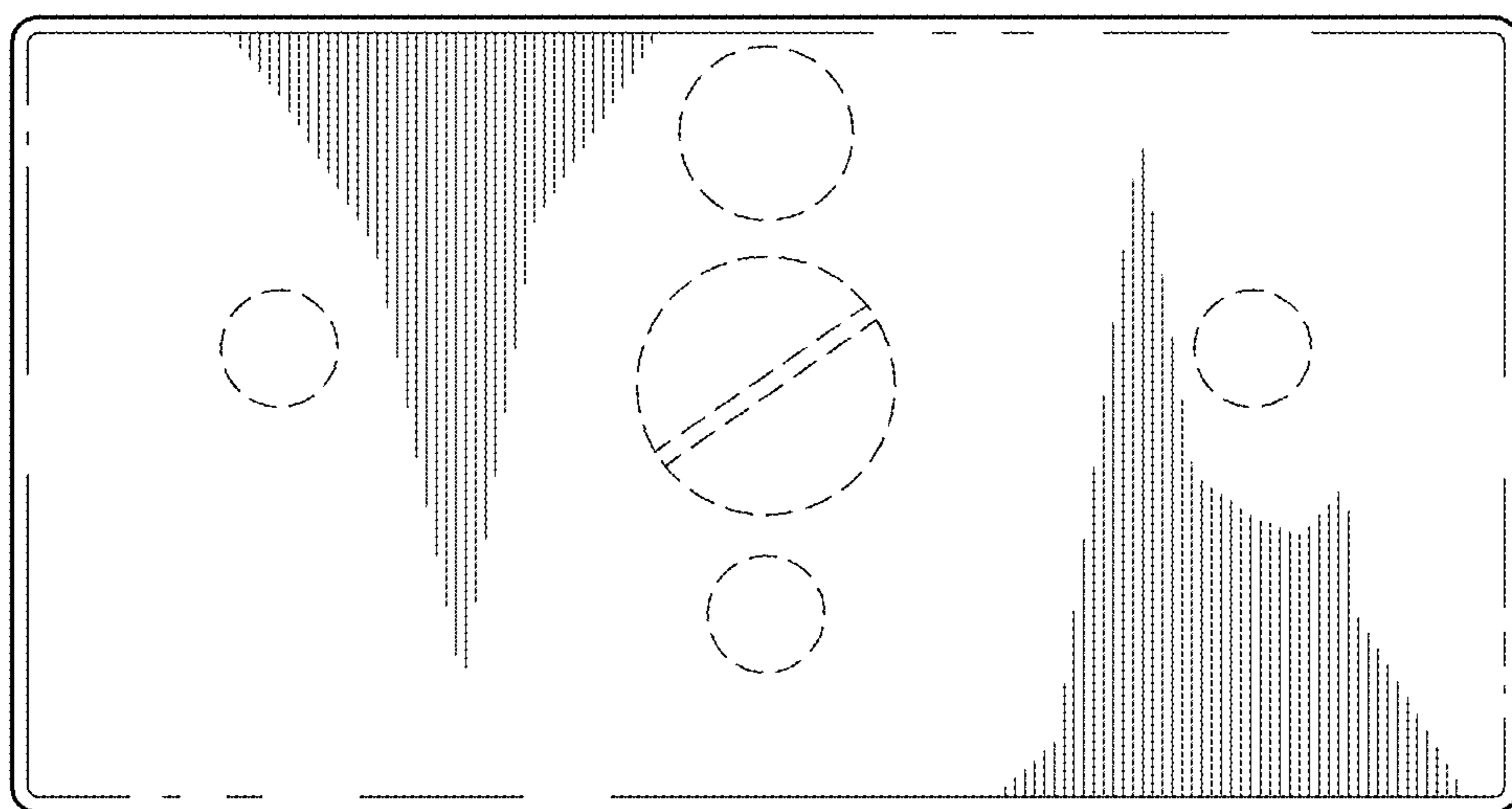


FIG. 4

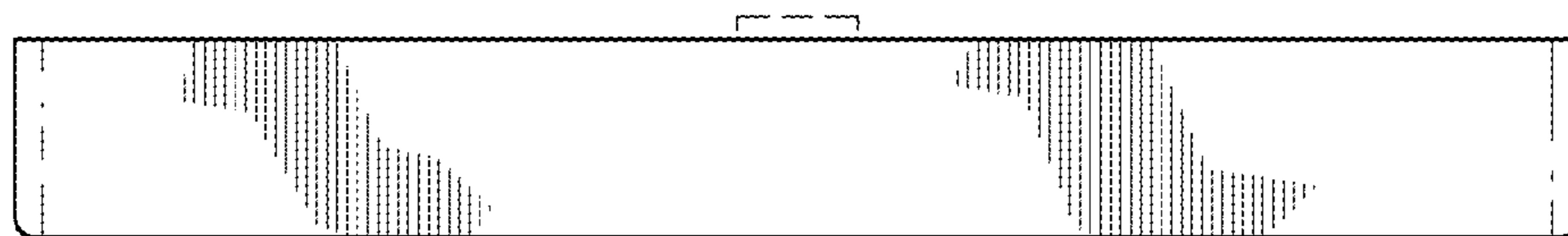


FIG. 5

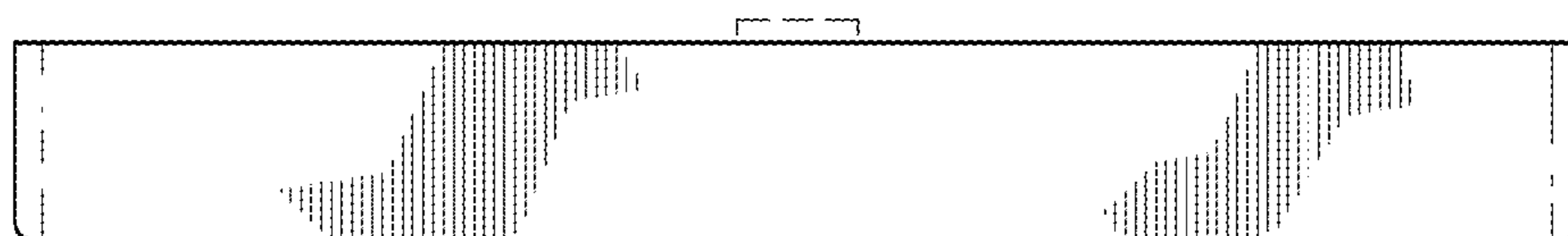


FIG. 6

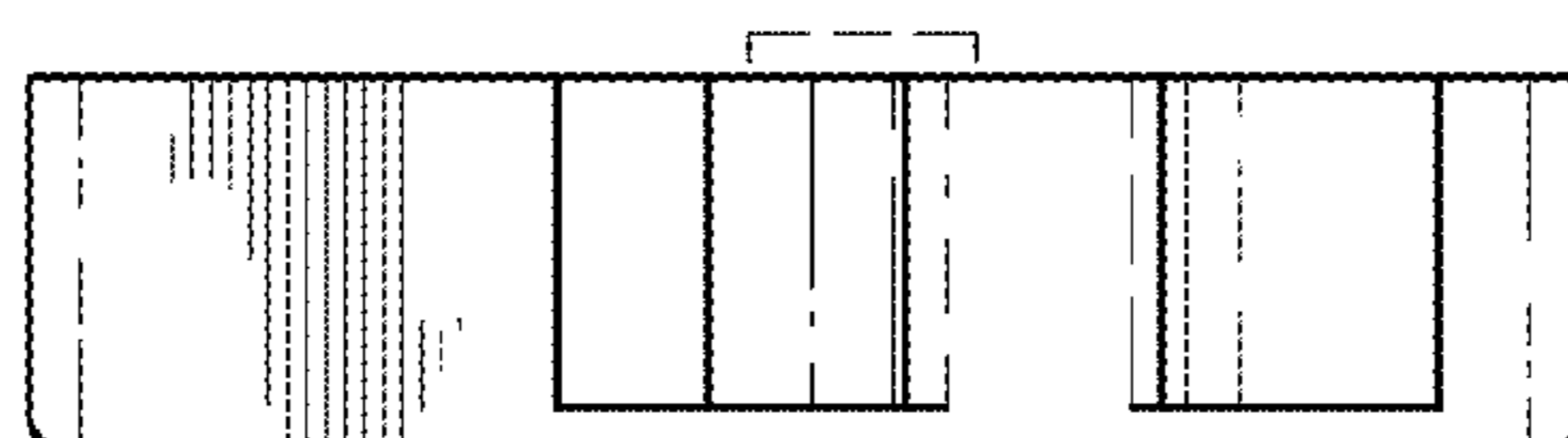


FIG. 7

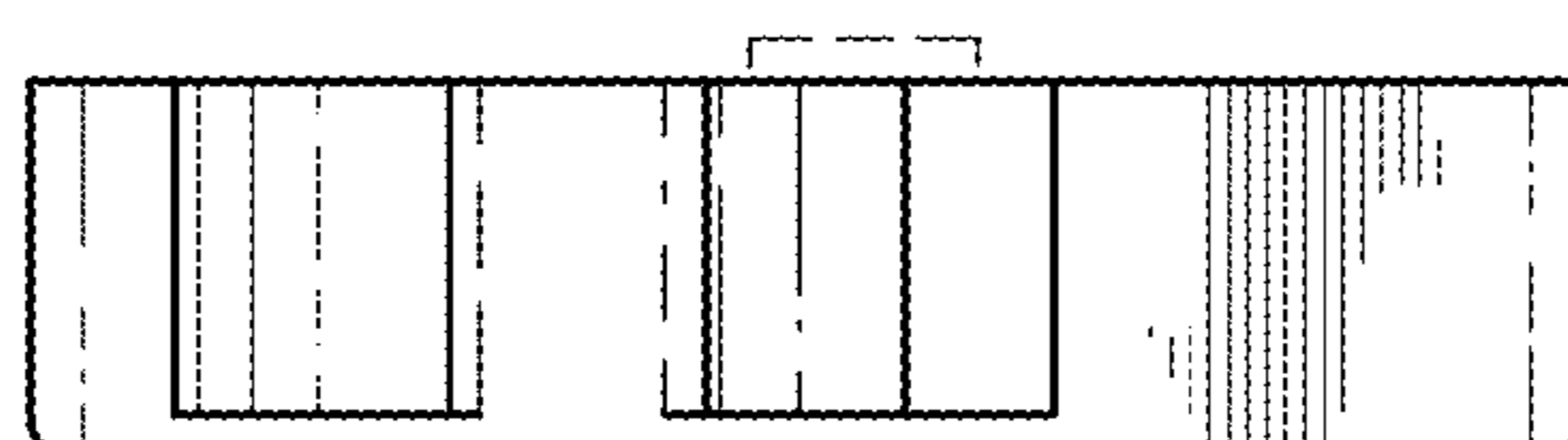


FIG. 8