



US00D746781S

(12) **United States Design Patent**
Dang et al.

(10) **Patent No.:** **US D746,781 S**
(45) **Date of Patent:** **** *Jan. 5, 2016**

- (54) **CONNECTION CABLE**
- (71) Applicant: **Google Inc.**, Mountain View, CA (US)
- (72) Inventors: **Phan Thao Dang**, San Francisco, CA (US); **Vincent Claudepierre**, San Francisco, CA (US); **Stephen Theodore Schooley**, Menlo Park, CA (US); **Maaike Louise Evers**, San Francisco, CA (US); **Michael Simonian**, San Francisco, CA (US)
- (73) Assignee: **GOOGLE INC.**, Mountain View, CA (US)
- (*) Notice: This patent is subject to a terminal disclaimer.
- (**) Term: **14 Years**
- (21) Appl. No.: **29/492,347**
- (22) Filed: **May 30, 2014**

Related U.S. Application Data

- (63) Continuation-in-part of application No. 29/486,587, filed on Mar. 31, 2014.
- (51) **LOC (10) Cl.** **13-03**
- (52) **U.S. Cl.**
USPC **D13/153**
- (58) **Field of Classification Search**
USPC D13/153, 154, 147, 164, 184, 133, 123, D13/160; 439/638, 600, 499, 680, 404, 345, 439/449, 620.1, 358; 361/752; 174/75 R; 385/88, 90; 340/691.6
CPC H05K 7/142; H02G 15/06; G02B 6/4292; G02B 6/4226; B60K 35/00
See application file for complete search history.

(56) **References Cited**

U.S. PATENT DOCUMENTS

- D522,463 S * 6/2006 Novotney et al. D13/154
- D548,700 S * 8/2007 Ledbetter et al. D13/154

- D549,660 S * 8/2007 Zenri et al. D13/147
- 7,359,208 B2 * 4/2008 Ni 361/752
- D585,835 S * 2/2009 Jaqua et al. D13/154
- D588,545 S * 3/2009 Andre et al. D13/154
- D610,095 S * 2/2010 Wu et al. D13/147
- 7,909,659 B2 * 3/2011 Cheng 439/680
- 8,262,296 B2 * 9/2012 Liao et al. 385/90
- 8,493,228 B2 * 7/2013 Astigarraga et al. 340/691.6
- 2005/0009404 A1 * 1/2005 Lee 439/638
- 2006/0264114 A1 * 11/2006 Novotney et al. 439/660
- 2010/0190373 A1 * 7/2010 Yeh 439/499
- 2011/0061933 A1 * 3/2011 Prest 174/75 R
- 2011/0130045 A1 * 6/2011 Su et al. 439/660
- 2011/0250783 A1 * 10/2011 Su et al. 439/404
- 2012/0214326 A1 * 8/2012 Ko et al. 439/345
- 2012/0231653 A1 * 9/2012 Ardisana et al. 439/449
- 2012/0243834 A1 * 9/2012 Yu et al. 385/88
- 2013/0171875 A1 * 7/2013 Kwon 439/620.01
- 2013/0273767 A1 * 10/2013 Phan et al. 439/358

* cited by examiner

Primary Examiner — Holly Baynham

Assistant Examiner — Rhea Shields

(74) *Attorney, Agent, or Firm* — Morris & Kamlay LLP

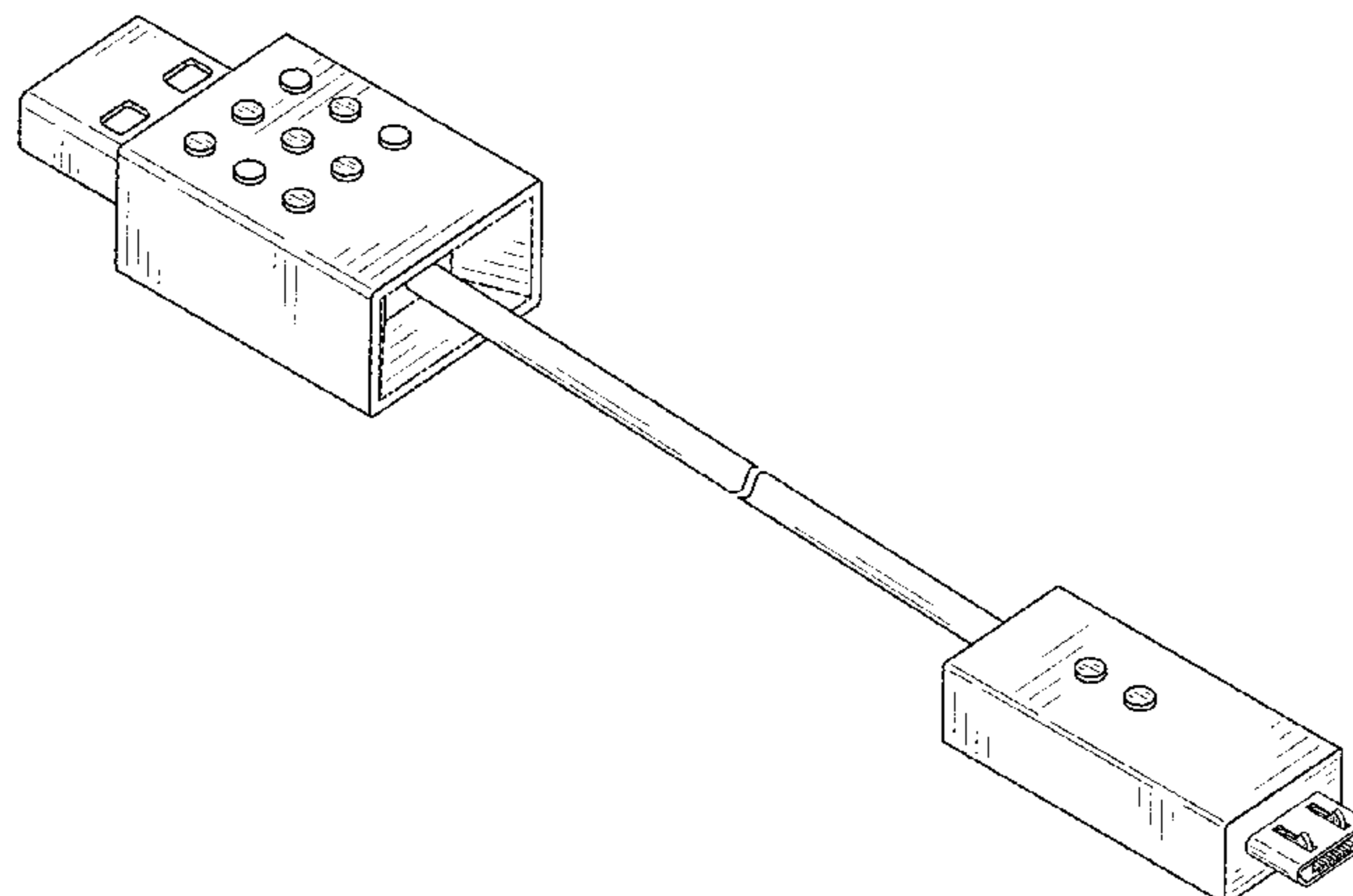
(57) **CLAIM**

We claim the ornamental design for a connection cable, substantially as shown and described.

DESCRIPTION

FIG. 1 is a perspective view of a connection cable showing our new design;
 FIG. 2 is a front view thereof;
 FIG. 3 is a rear view thereof;
 FIGS. 4 and 5 are side views thereof;
 FIG. 6 is a top view thereof;
 FIG. 7 is a bottom view thereof; and,
 FIG. 8 is a perspective view thereof.
 The cable connection is shown with a break in its length. The appearance of any portion of the article between the break lines forms no part of the claimed design.

1 Claim, 3 Drawing Sheets



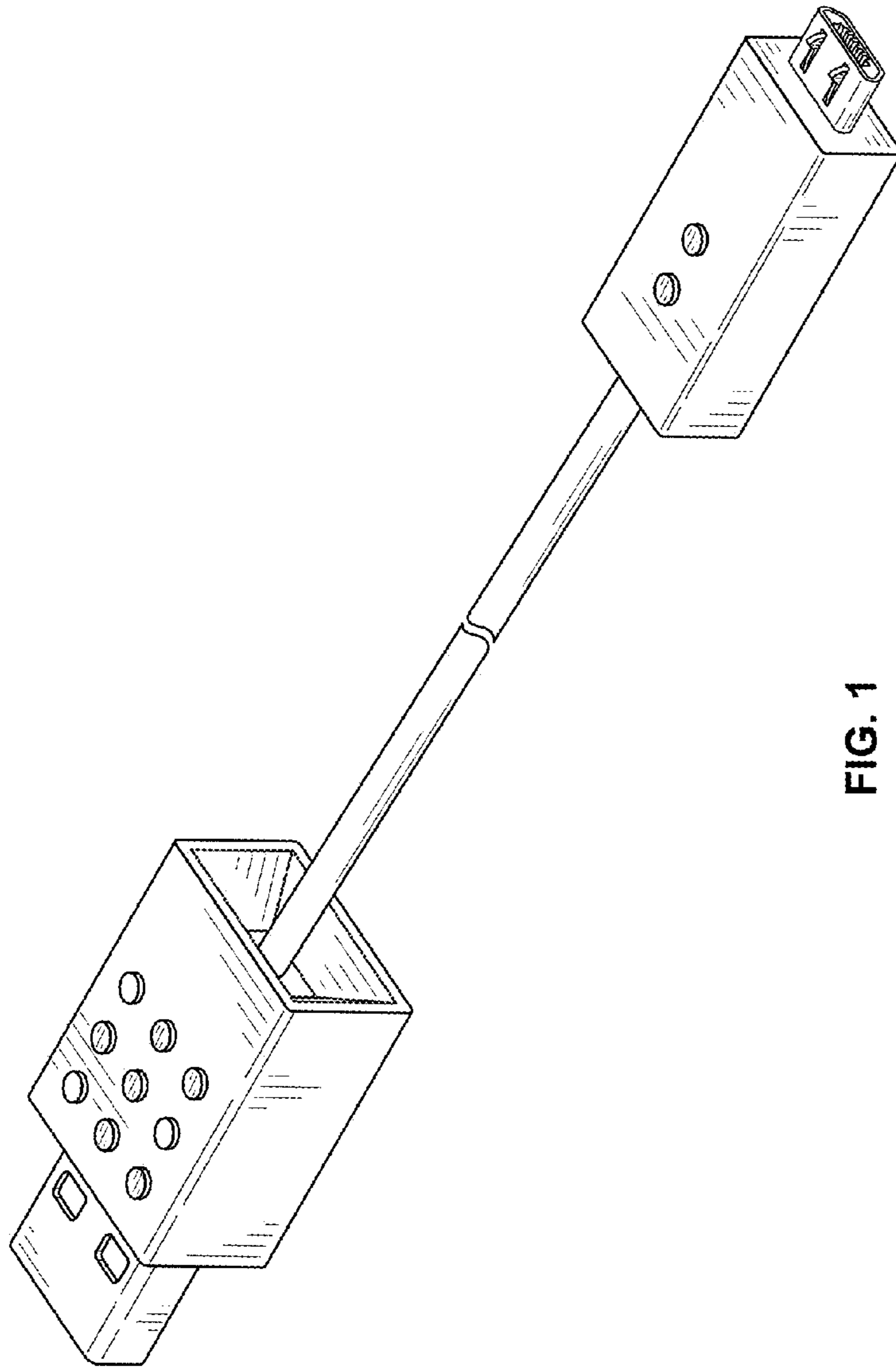


FIG. 1

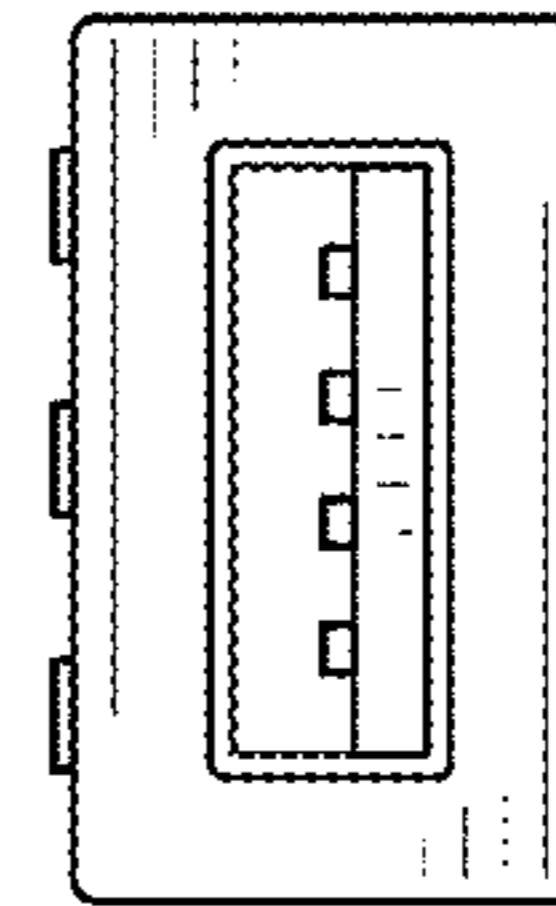


FIG. 3

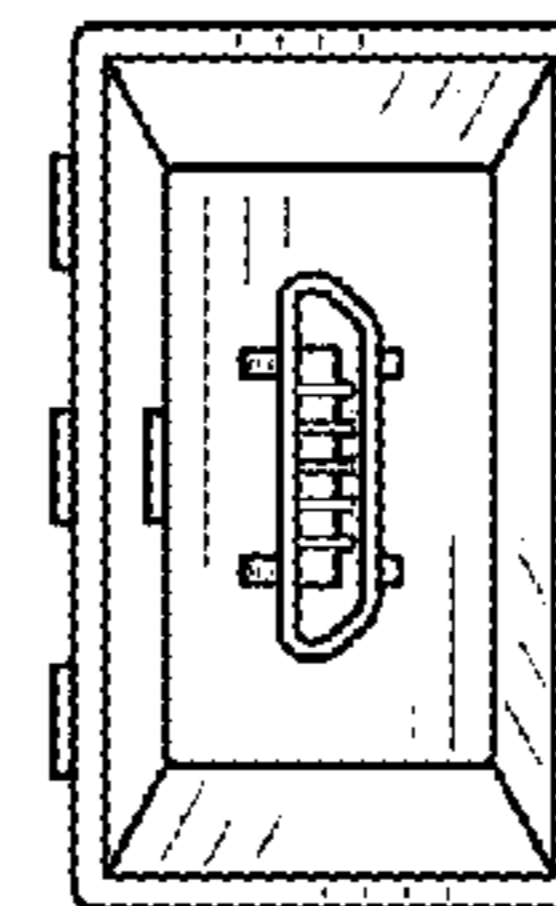


FIG. 2

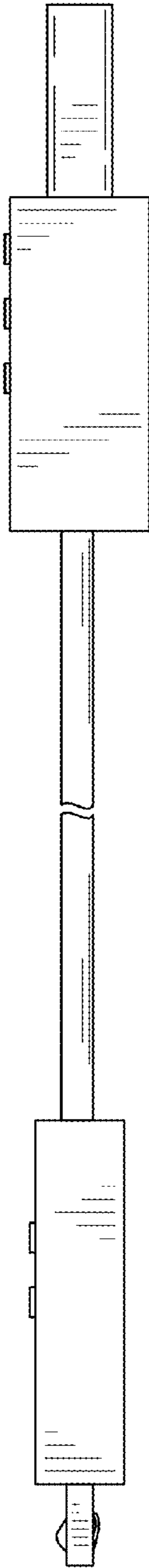


FIG. 4

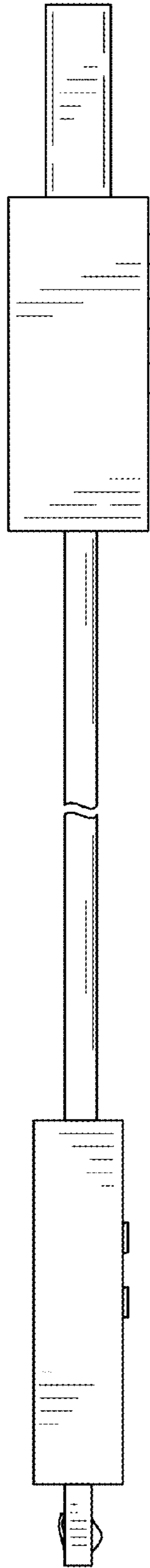


FIG. 5

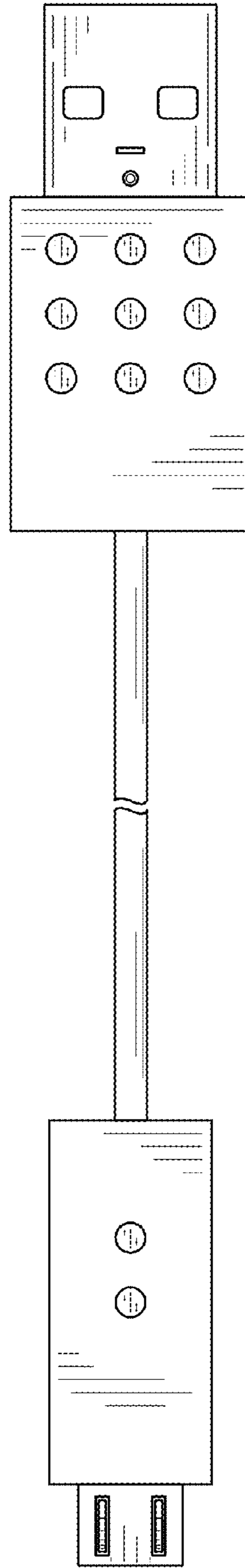


FIG. 6

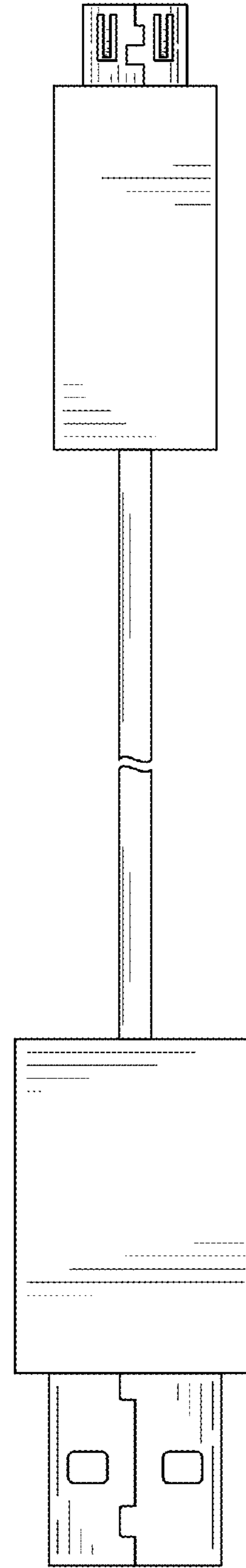


FIG. 7

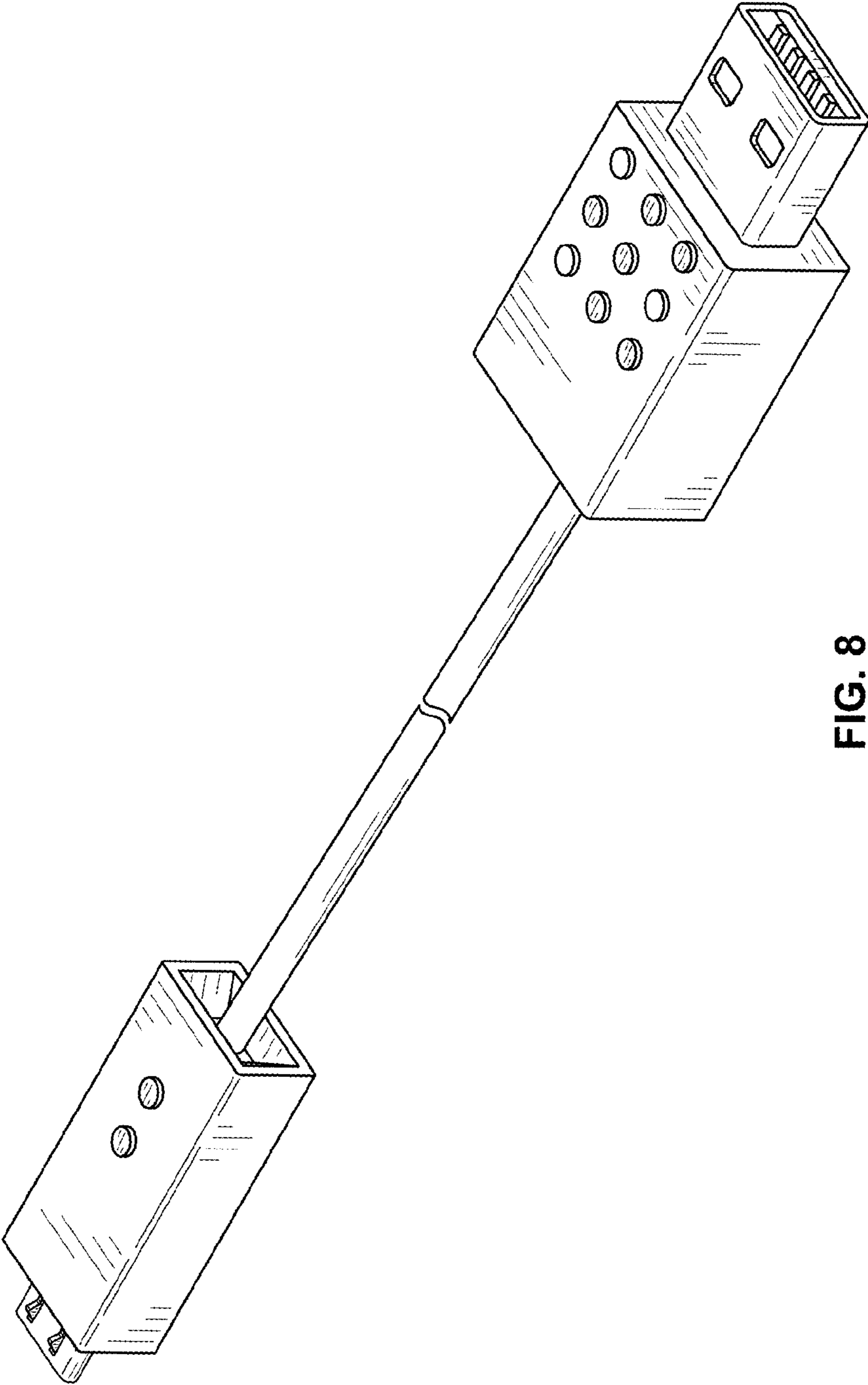


FIG. 8