



US00D746780S

(12) **United States Design Patent**
Akana et al.

(10) **Patent No.:** **US D746,780 S**

(45) **Date of Patent:** **** *Jan. 5, 2016**

(54) **ADAPTER**

(71) Applicant: **Apple Inc.**, Cupertino, CA (US)

(72) Inventors: **Jody Akana**, San Francisco, CA (US);
Bartley K. Andre, Palo Alto, CA (US);
Jeremy Bataillou, San Francisco, CA
(US); **Daniel J. Coster**, San Francisco,
CA (US); **Daniele De Iuliis**, San
Francisco, CA (US); **M. Evans Hankey**,
San Francisco, CA (US); **Julian Hoenig**,
San Francisco, CA (US); **Richard P.**
Howarth, San Francisco, CA (US);
Jonathan P. Ive, San Francisco, CA
(US); **Duncan Robert Kerr**, San
Francisco, CA (US); **Matthew Dean**
Rohrbach, San Francisco, CA (US);
Peter Russell-Clarke, San Francisco,
CA (US); **Christopher J. Stringer**,
Woodside, CA (US); **Eugene Antony**
Whang, San Francisco, CA (US); **Rico**
Zörkendörfer, San Francisco, CA (US)

(73) Assignee: **Apple Inc.**, Cupertino, CA (US)

(*) Notice: This patent is subject to a terminal dis-
claimer.

(**) Term: **14 Years**

(21) Appl. No.: **29/504,404**

(22) Filed: **Oct. 6, 2014**

Related U.S. Application Data

(63) Continuation of application No. 29/415,036, filed on
Mar. 6, 2012, now Pat. No. Des. 714,729.

(51) **LOC (10) Cl.** **13-03**

(52) **U.S. Cl.**
USPC **D13/147**

(58) **Field of Classification Search**

USPC D13/147, 154, 184, 199
See application file for complete search history.

(56) **References Cited**

U.S. PATENT DOCUMENTS

5,179,501	A	1/1993	Ocken et al.
5,568,006	A	10/1996	Luff et al.
D416,233	S	11/1999	Tsai
D446,499	S	8/2001	Andre et al.
D454,110	S	3/2002	Andre et al.
D552,604	S	10/2007	Andre et al.

(Continued)

FOREIGN PATENT DOCUMENTS

CN	300864877D	12/2008
CN	201130377608.3	5/2012
JP	D1121650 S	9/2001

Primary Examiner — Daniel Bui

(74) *Attorney, Agent, or Firm* — Sterne, Kessler, Goldstein
& Fox P.L.L.C.

(57) **CLAIM**

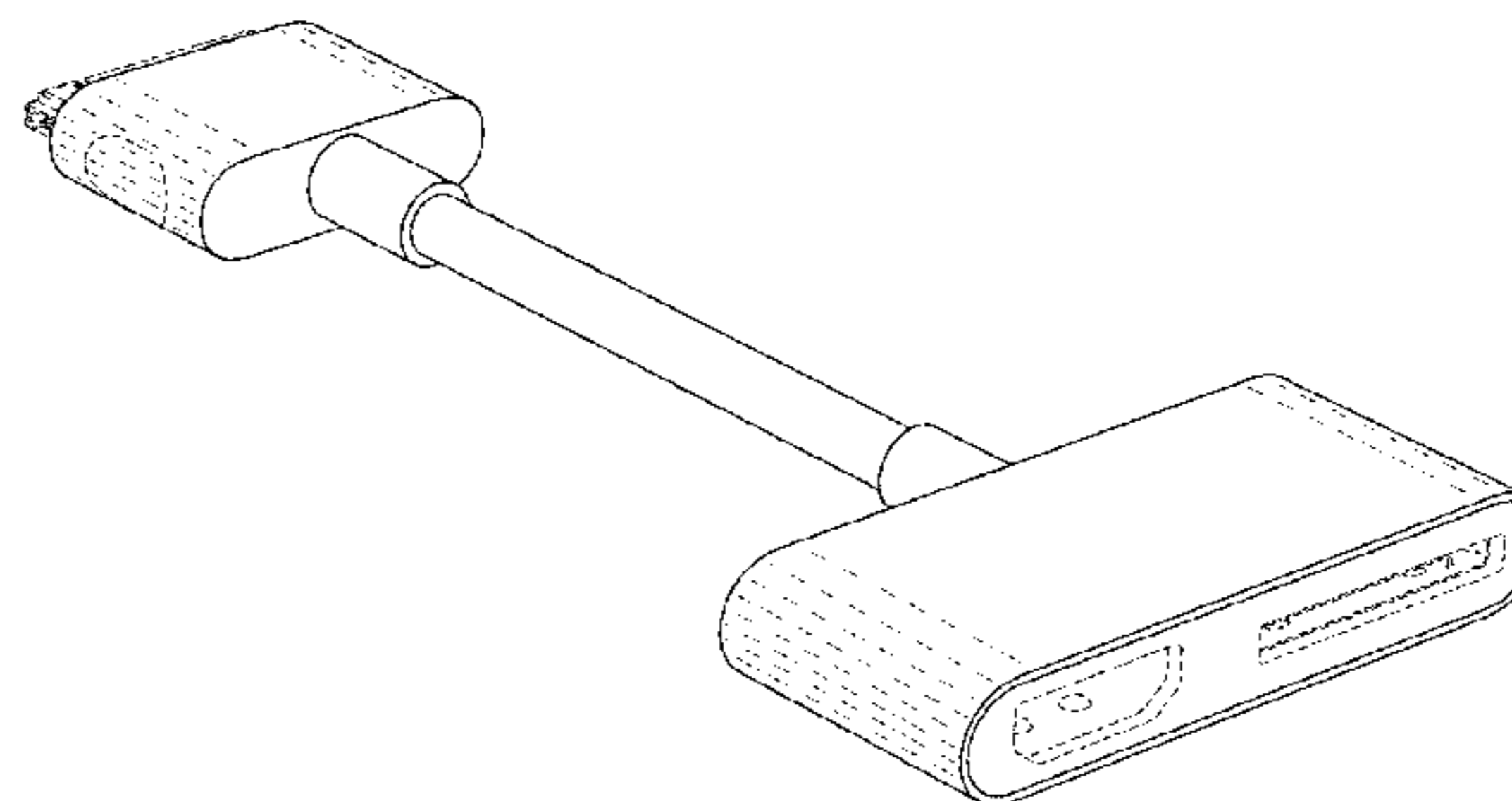
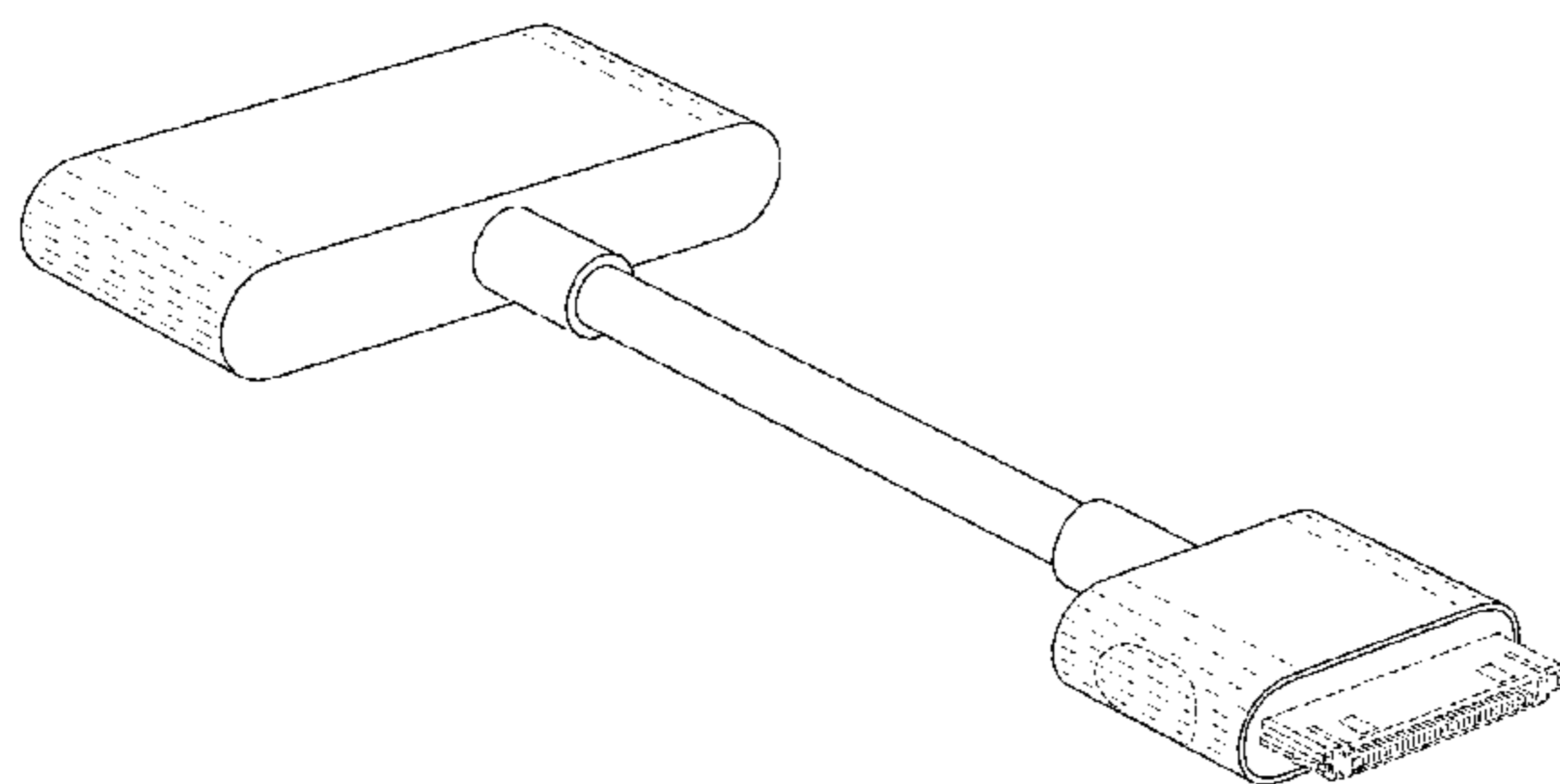
The ornamental design for an adapter, as shown and
described.

DESCRIPTION

FIG. 1 is a top, rear, and side perspective view of an adapter
showing our new design;
FIG. 2 is a top, front, and side perspective view thereof;
FIG. 3 is a top view thereof;
FIG. 4 is a bottom view thereof;
FIG. 5 is a side view thereof;
FIG. 6 is another side view thereof;
FIG. 7 is a rear view thereof; and,
FIG. 8 is a front view thereof.

The broken lines in the Figures show portions of the adapter
that form no part of the claimed design.
The shade lines in the Figures show contour and not surface
ornamentation.

1 Claim, 5 Drawing Sheets



US D746,780 S

Page 2

(56)

References Cited

U.S. PATENT DOCUMENTS

D588,545 S 3/2009 Andre et al.

D601,500 S 10/2009 Green et al.
D683,703 S * 6/2013 Akana et al. D13/147
D714,729 S * 10/2014 Akana et al. D13/147

* cited by examiner

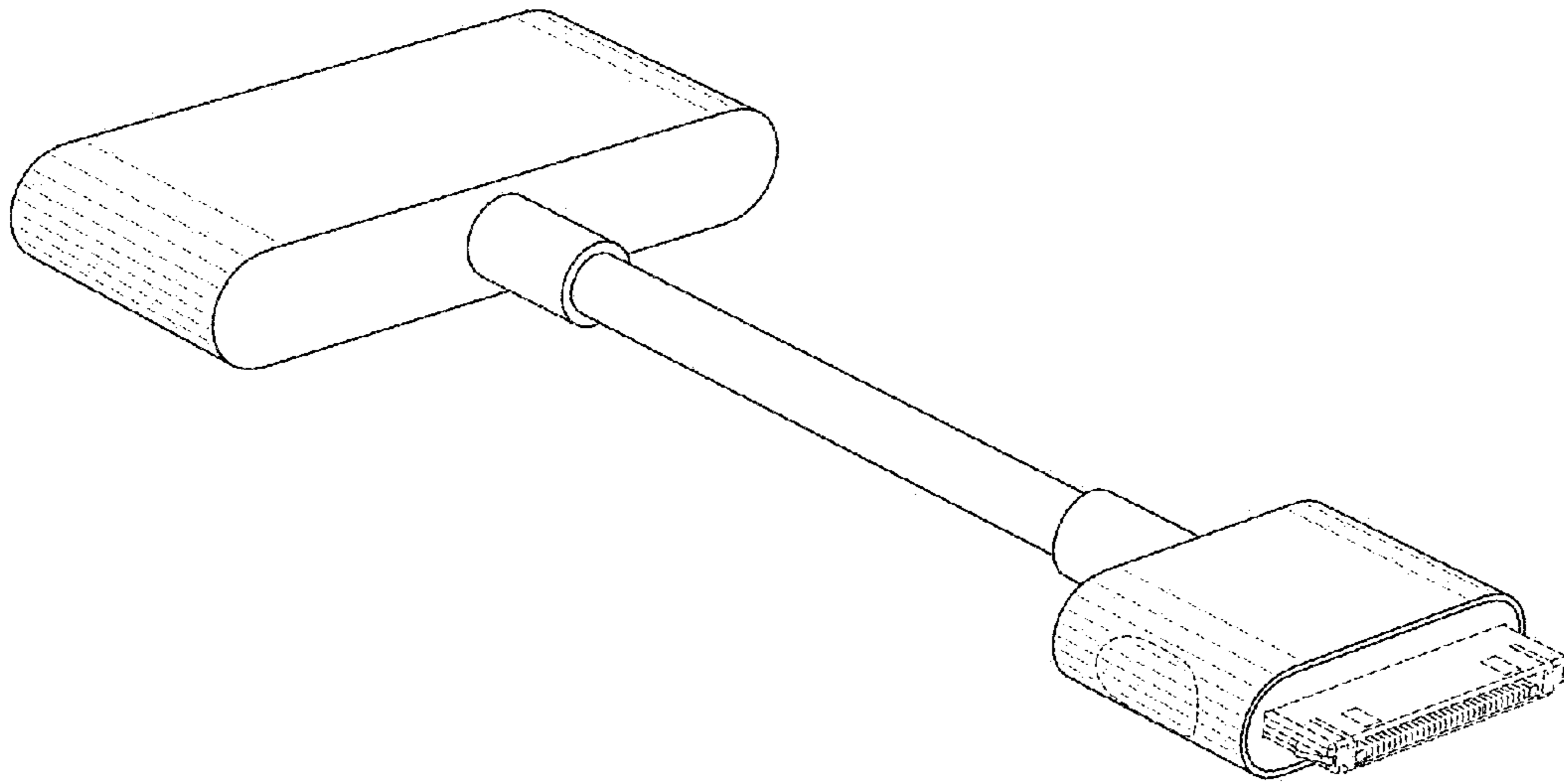


FIG. 1

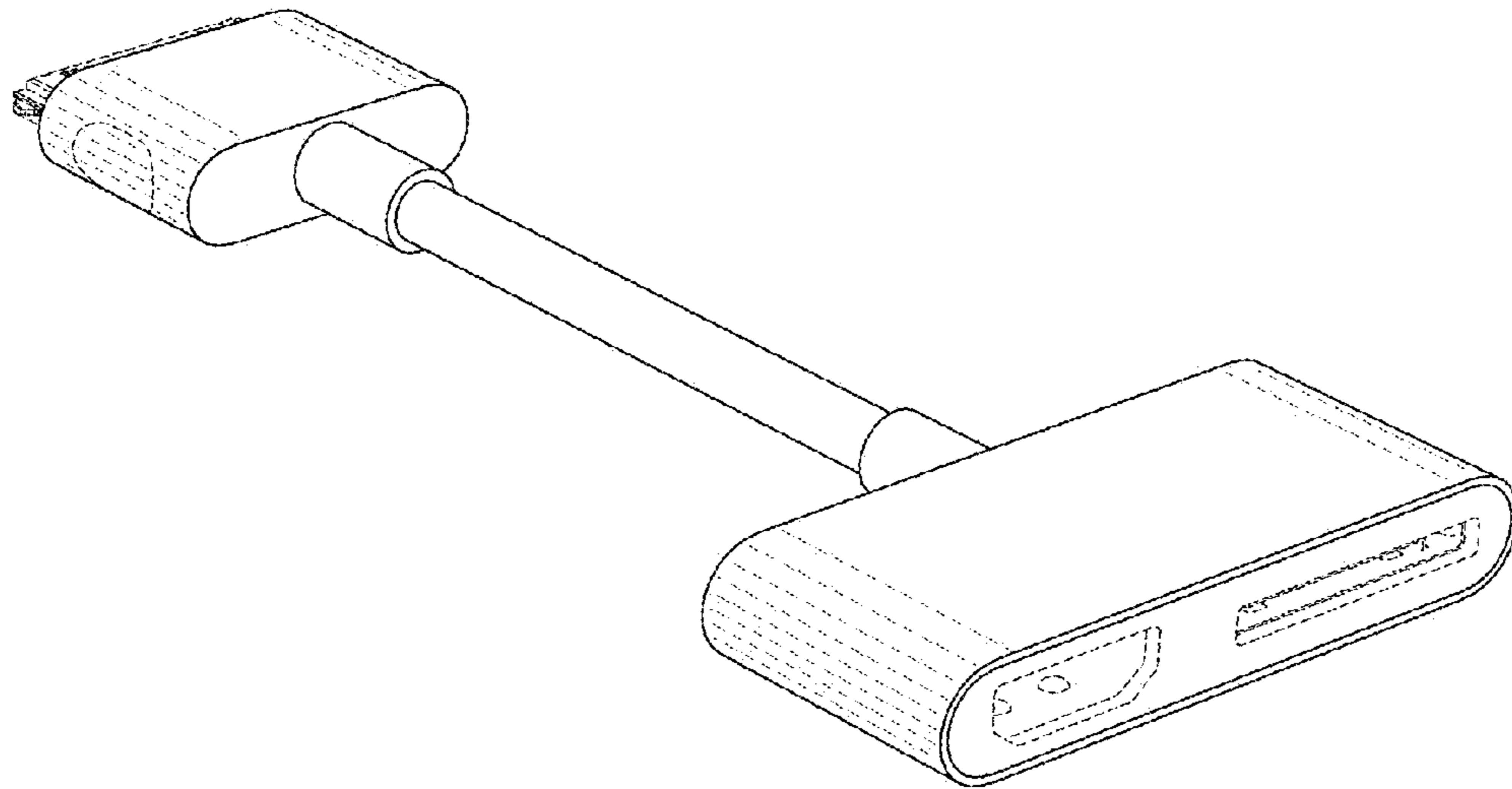


FIG. 2

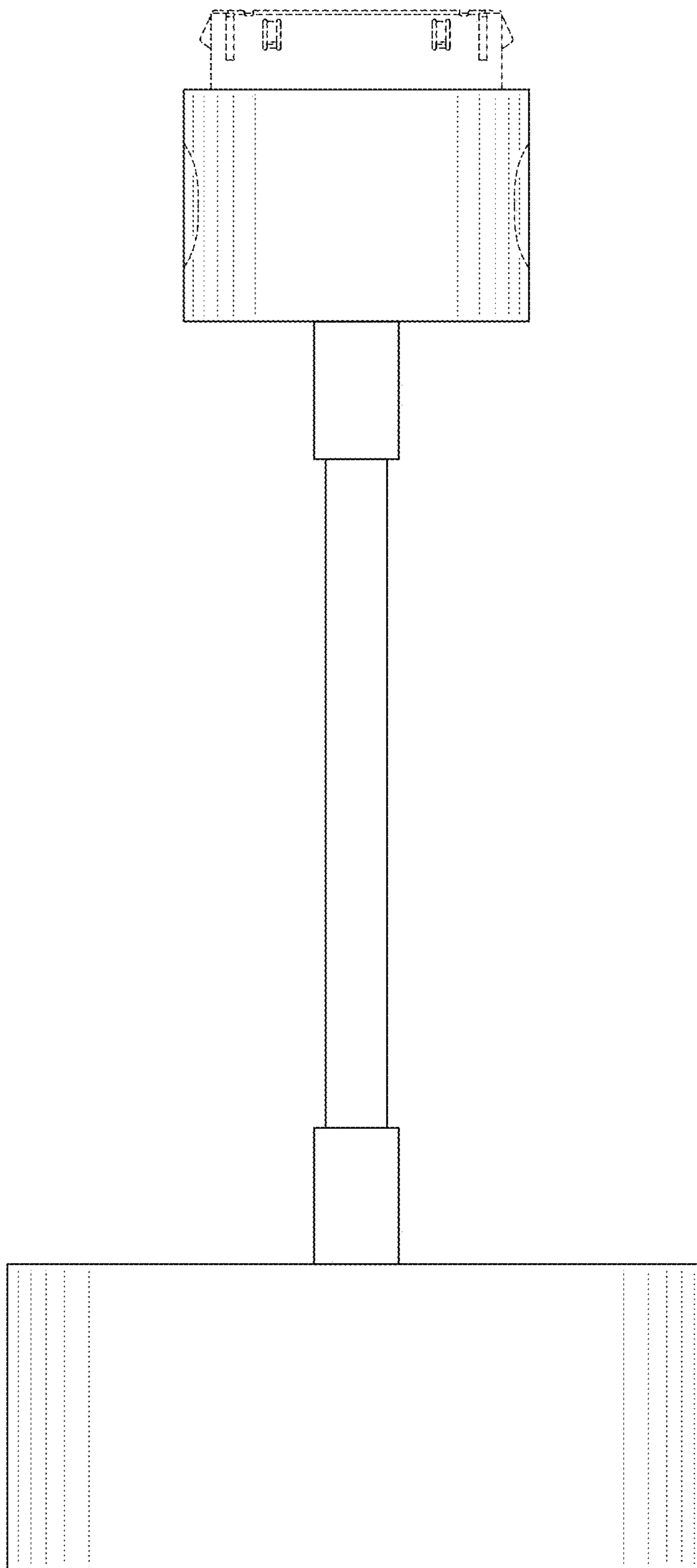


FIG. 3

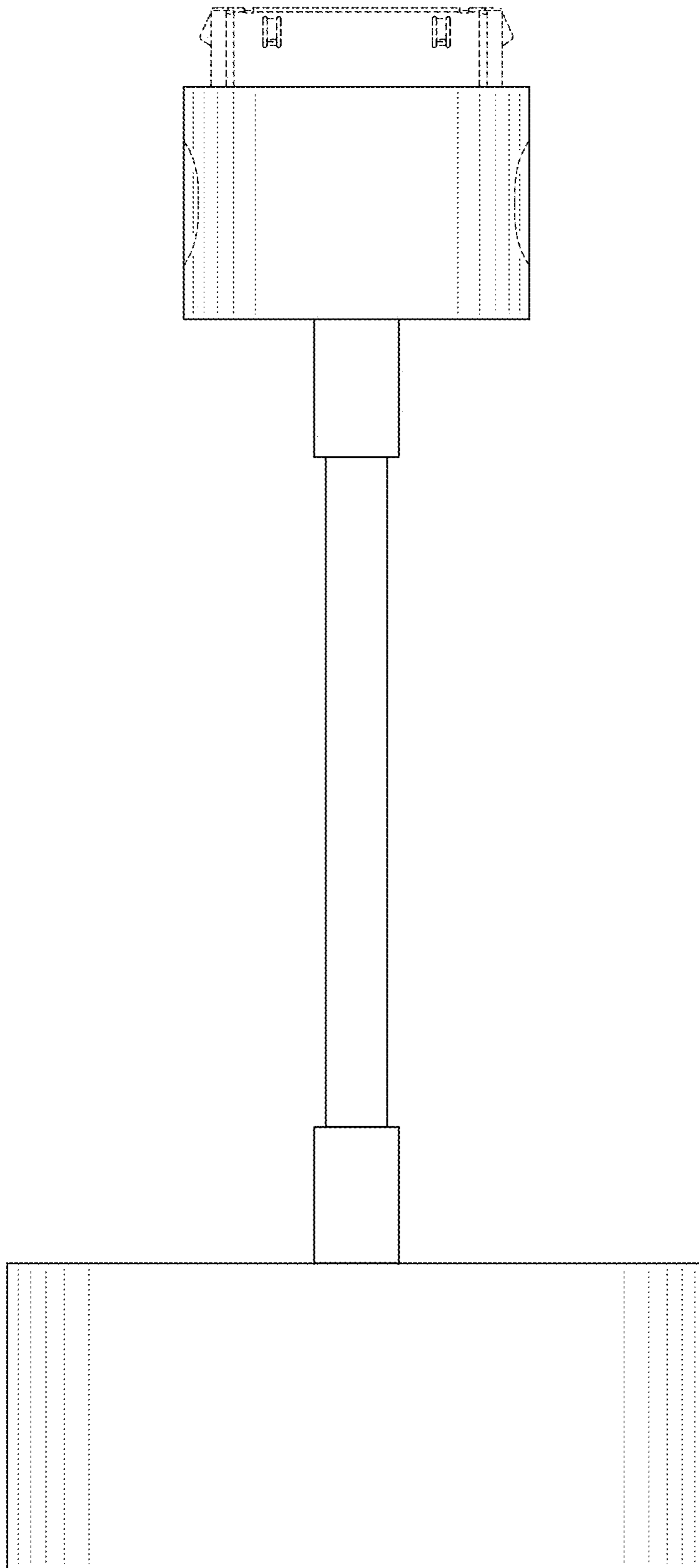


FIG. 4

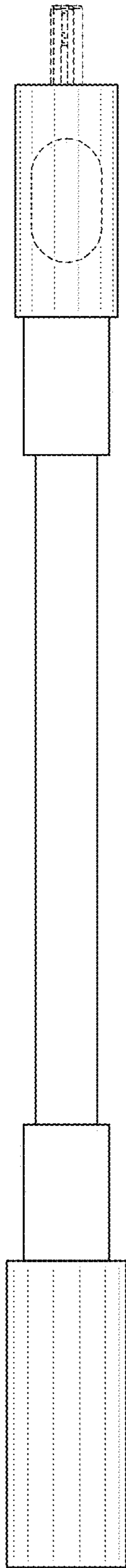


FIG. 5

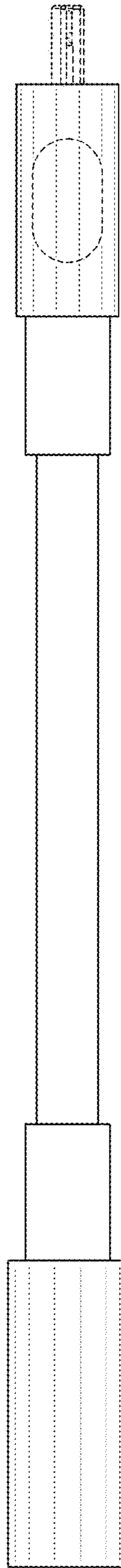


FIG. 6

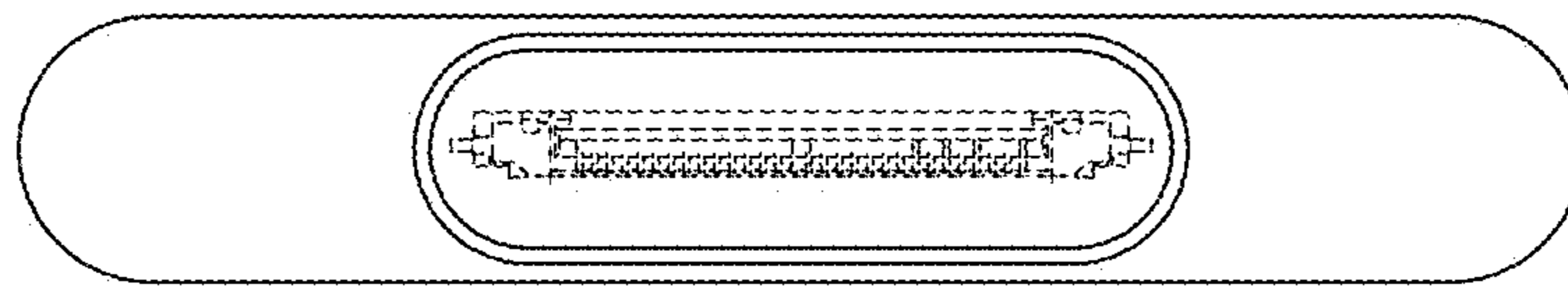


FIG. 7

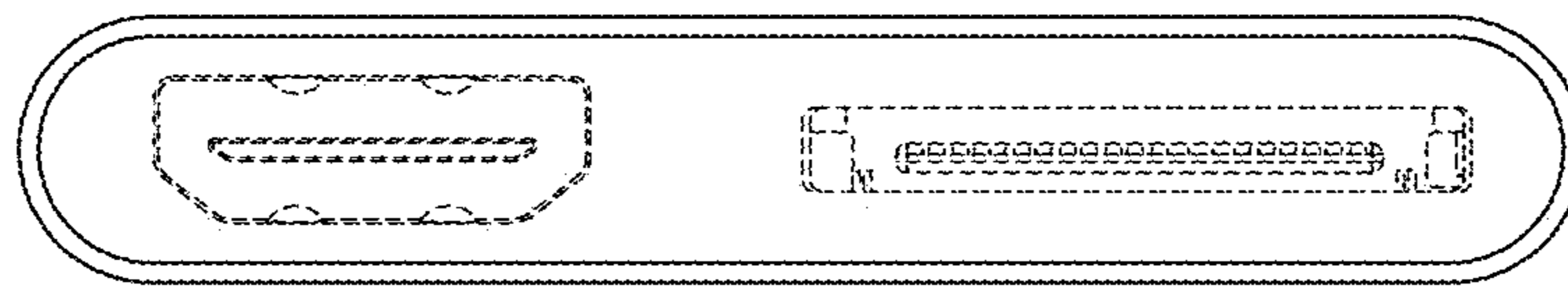


FIG. 8

UNITED STATES PATENT AND TRADEMARK OFFICE
CERTIFICATE OF CORRECTION

PATENT NO. : D746,780 S
APPLICATION NO. : 29/504404
DATED : January 5, 2016
INVENTOR(S) : Akana et al.

Page 1 of 6

It is certified that error appears in the above-identified patent and that said Letters Patent is hereby corrected as shown below:

Delete the title page and substitute therefore with the attached title page consisting of the corrected illustrative figure(s).

In the Drawings

Please replace FIGS. 1-6 with FIGS. 1-6 as shown on the attached pages.

Signed and Sealed this
Twelfth Day of July, 2016



Michelle K. Lee
Director of the United States Patent and Trademark Office

(12) **United States Design Patent**
Akana et al.

(10) **Patent No.:** **US D746,780 S**

(45) **Date of Patent:** **** *Jan. 5, 2016**

(54) **ADAPTER**

(71) Applicant: **Apple Inc.**, Cupertino, CA (US)

(72) Inventors: **Jody Akana**, San Francisco, CA (US);
Bartley K. Andre, Palo Alto, CA (US);
Jeremy Bataillou, San Francisco, CA
(US); **Daniel J. Coster**, San Francisco,
CA (US); **Daniele De Iulio**, San
Francisco, CA (US); **M. Evans Hankey**,
San Francisco, CA (US); **Julian Hoenig**,
San Francisco, CA (US); **Richard P.**
Howarth, San Francisco, CA (US);
Jonathan P. Ivo, San Francisco, CA
(US); **Duncan Robert Kerr**, San
Francisco, CA (US); **Matthew Dean**
Rohrbach, San Francisco, CA (US);
Peter Russell-Clarke, San Francisco,
CA (US); **Christopher J. Stringer**,
Woodside, CA (US); **Eugene Antony**
Whang, San Francisco, CA (US); **Rico**
Zörkendörfer, San Francisco, CA (US)

(73) Assignee: **Apple Inc.**, Cupertino, CA (US)

(*) Notice: This patent is subject to a terminal dis-
claimer.

(**) Term: **14 Years**

(21) Appl. No.: **29/504,404**

(22) Filed: **Oct. 6, 2014**

Related U.S. Application Data

(63) Continuation of application No. 29/415,036, filed on
Mar. 6, 2012, now Pat. No. Des. 714,729.

(51) **LOC (10) CL.** **13-03**

(52) **U.S. CL.**
USPC **D13/147**

(58) **Field of Classification Search**

USPC D13/147, 154, 184, 199
See application file for complete search history.

(56) **References Cited**

U.S. PATENT DOCUMENTS

5,179,501	A	1/1993	Ocken et al.
5,568,006	A	10/1996	Luff et al.
D416,233	S	11/1999	Tsai
D446,499	S	8/2001	Andre et al.
D454,110	S	3/2002	Andre et al.
D552,604	S	10/2007	Andre et al.

(Continued)

FOREIGN PATENT DOCUMENTS

CN	300864877D	12/2008
CN	201130377608.3	5/2012
JP	D1121650 S	9/2001

Primary Examiner — Daniel Bui

(74) *Attorney, Agent, or Firm* Sterne, Kessler, Goldstein
& Fox P.L.L.C.

(57) **CLAIM**

The ornamental design for an adapter, as shown and
described.

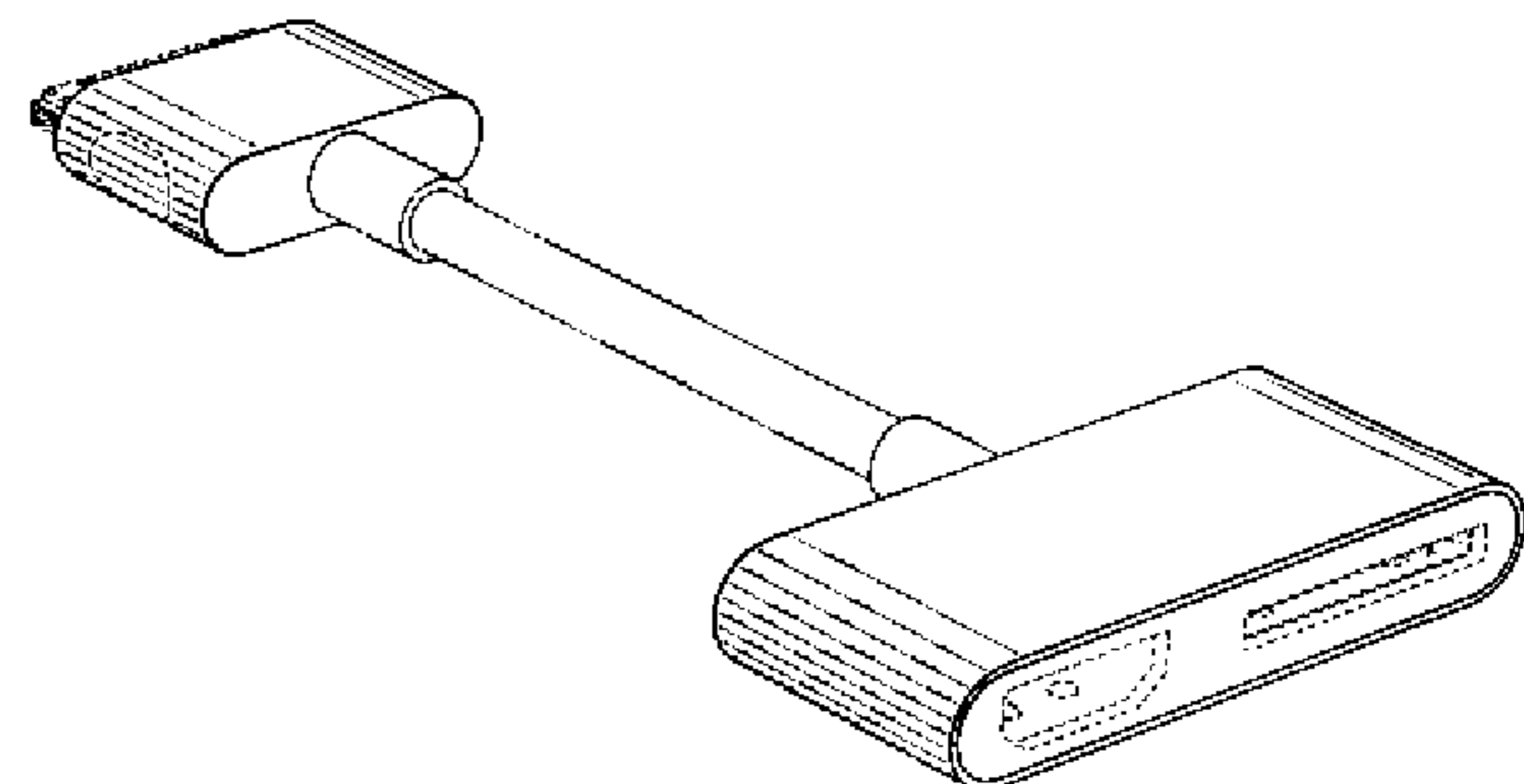
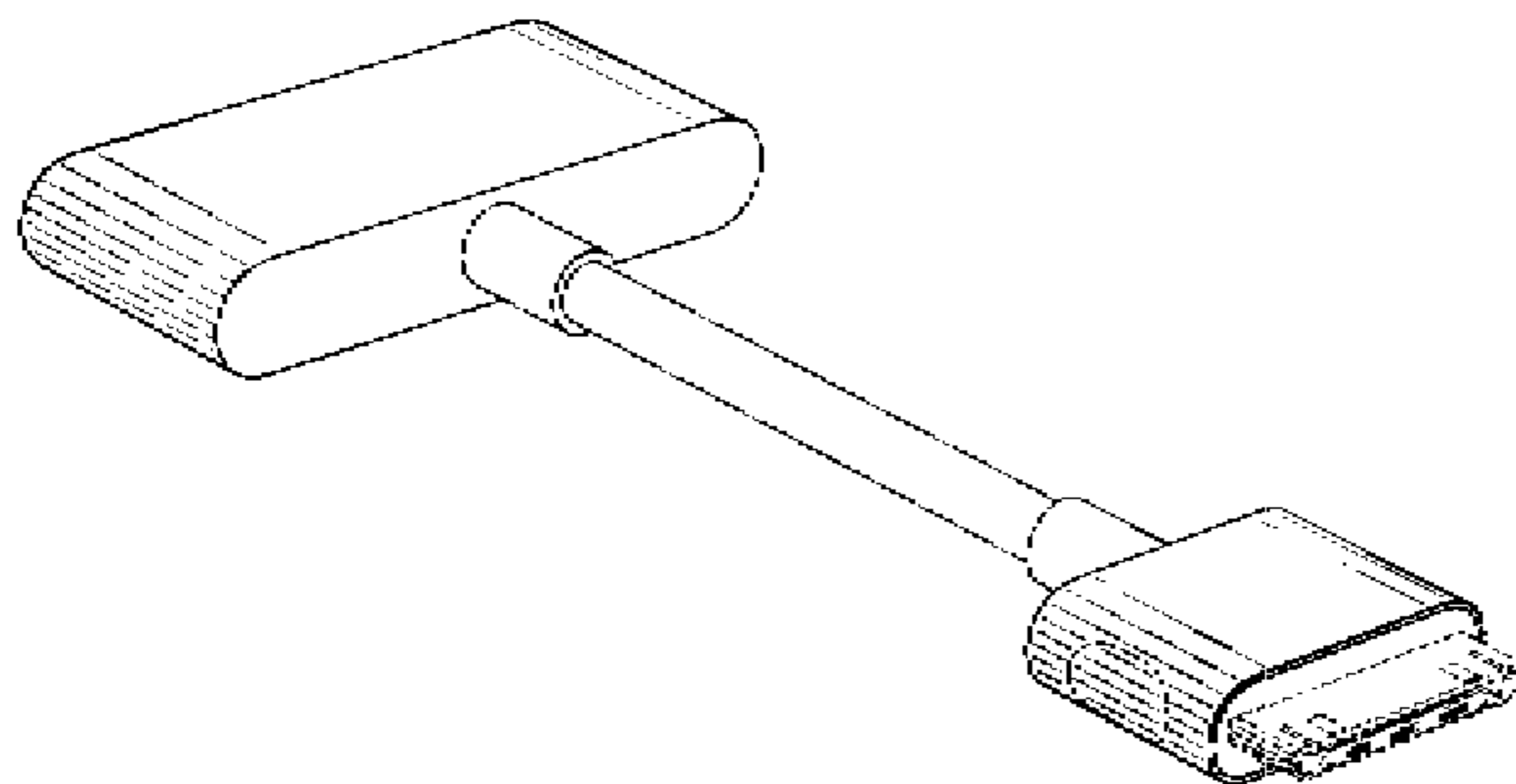
DESCRIPTION

FIG. 1 is a top, rear, and side perspective view of an adapter
showing our new design;
FIG. 2 is a top, front, and side perspective view thereof;
FIG. 3 is a top view thereof;
FIG. 4 is a bottom view thereof;
FIG. 5 is a side view thereof;
FIG. 6 is another side view thereof;
FIG. 7 is a rear view thereof; and,
FIG. 8 is a front view thereof.

The broken lines in the Figures show portions of the adapter
that form no part of the claimed design.

The shade lines in the Figures show contour and not surface
ornamentation.

1 Claim, 5 Drawing Sheets



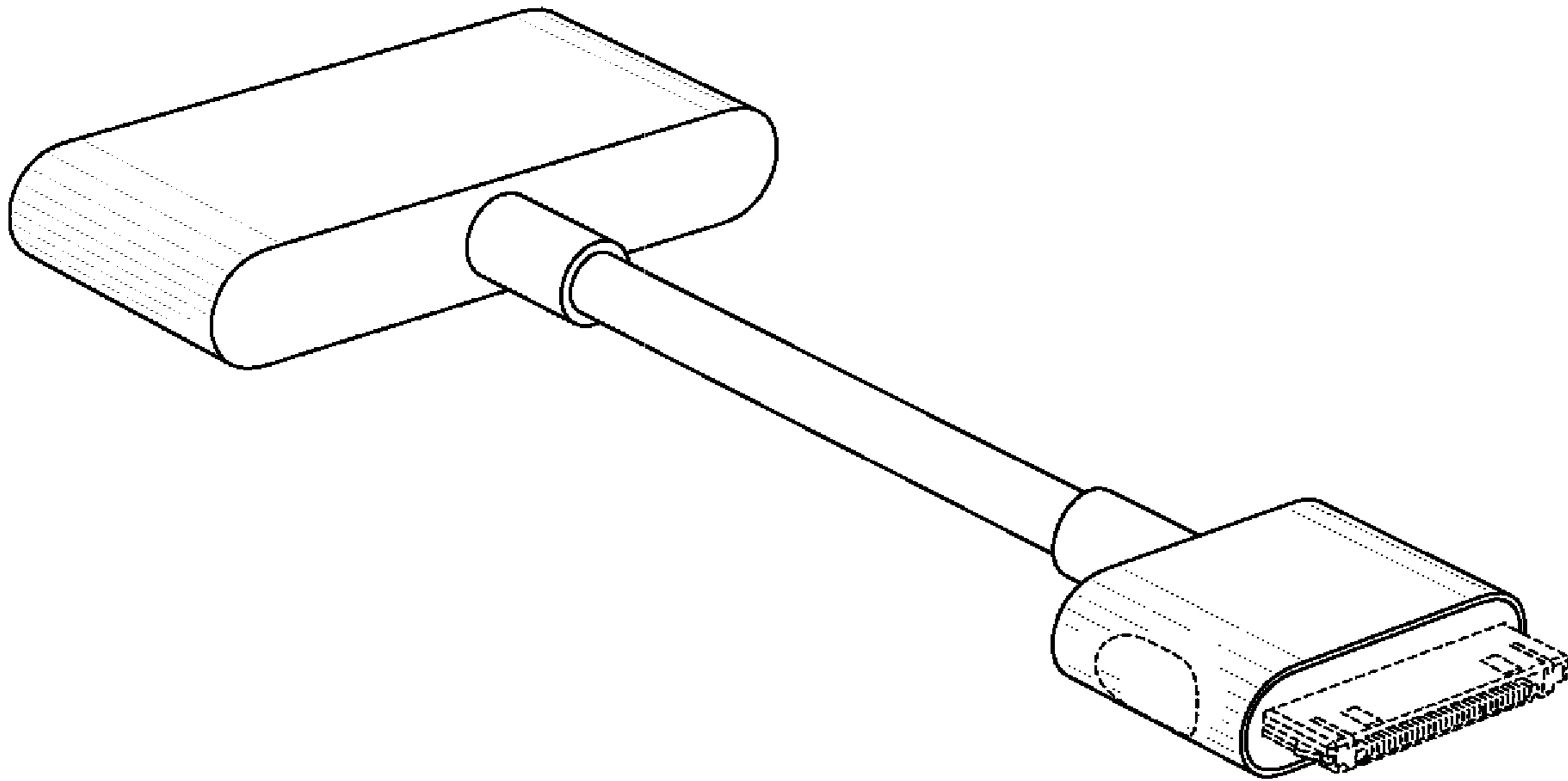


FIG. 1

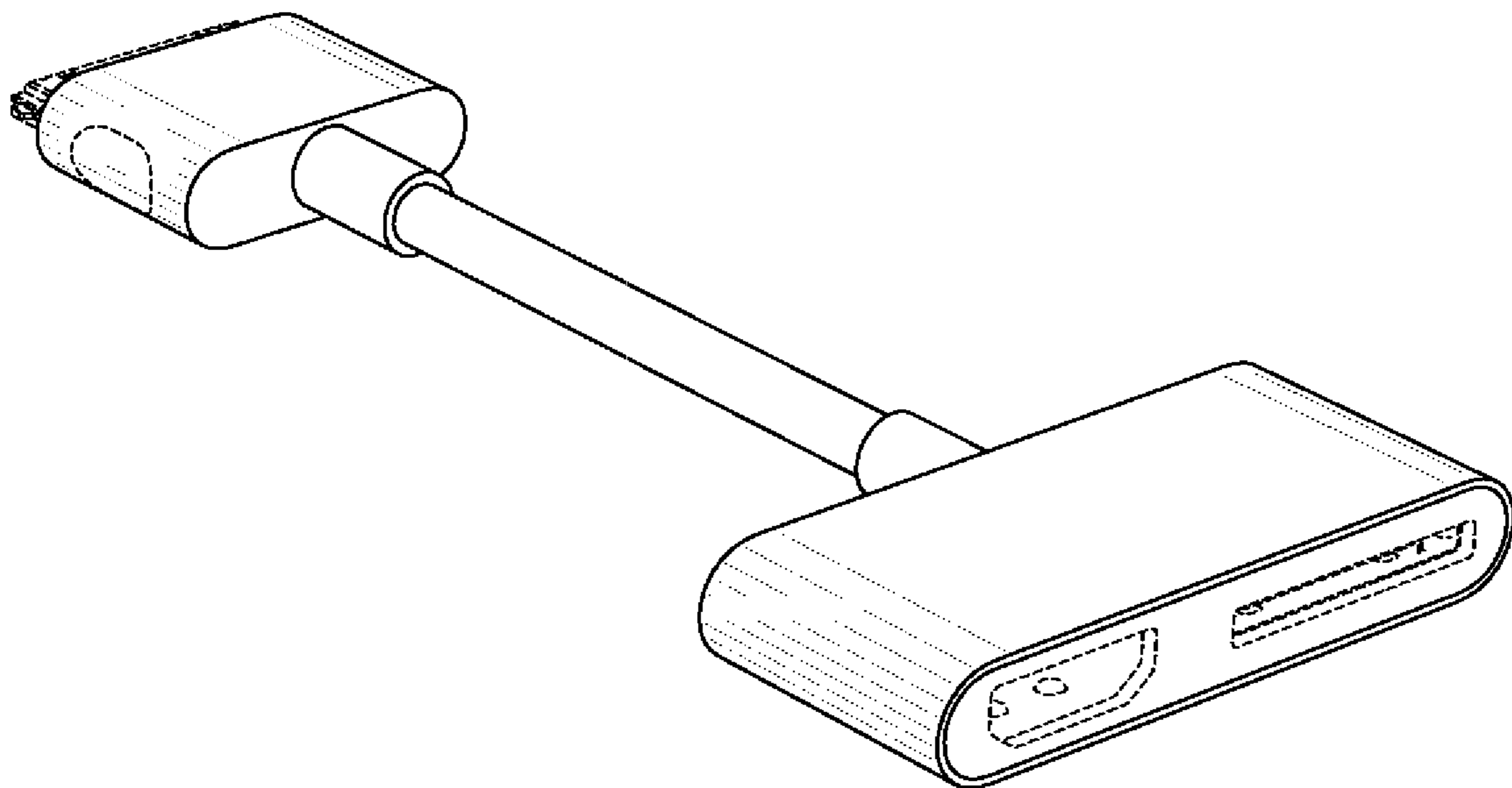


FIG. 2

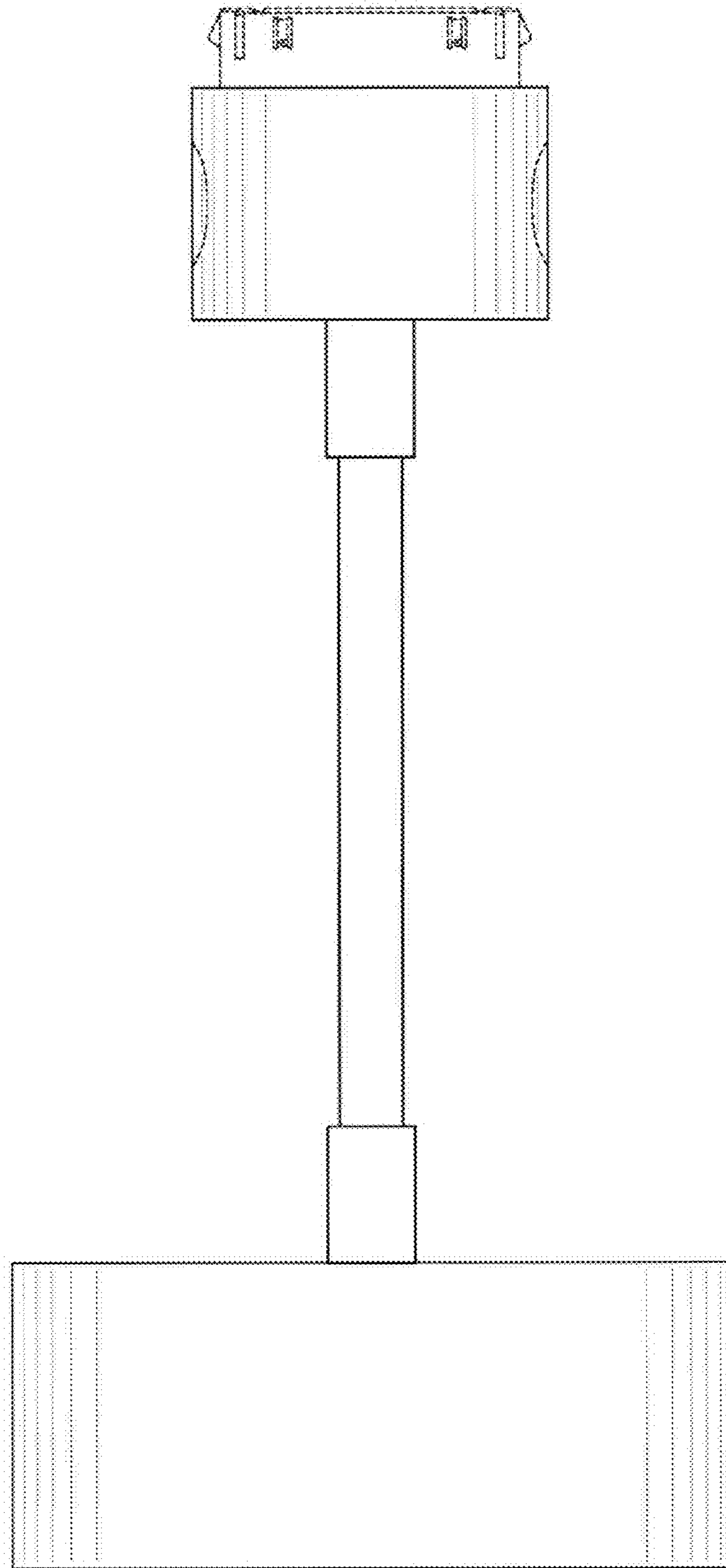


FIG. 3

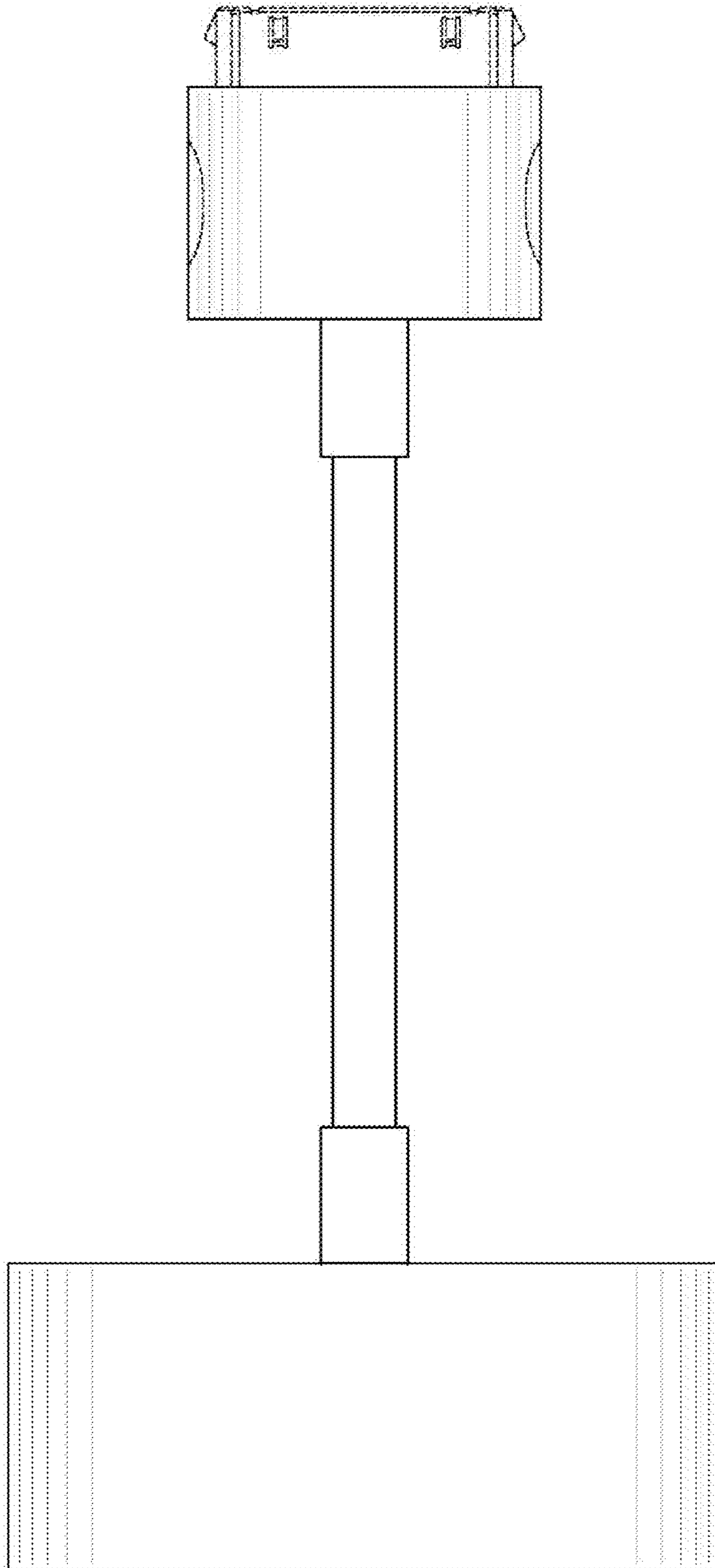


FIG. 4

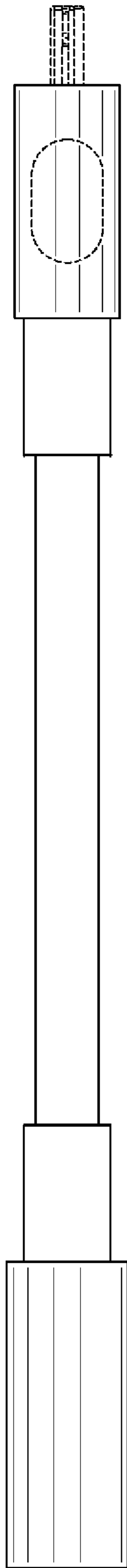


FIG. 5

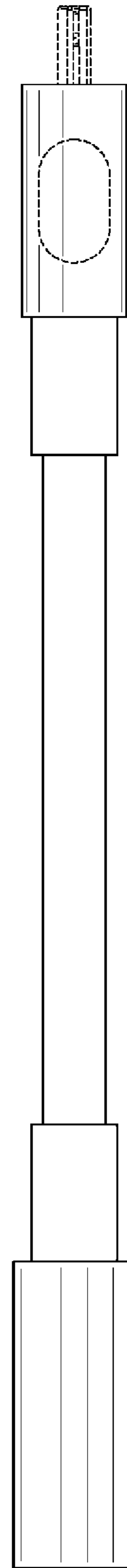


FIG. 6