



US00D746779S

(12) **United States Design Patent**
Kato

(10) **Patent No.:** **US D746,779 S**
(45) **Date of Patent:** **** Jan. 5, 2016**

(54) **OPTICAL CONNECTOR FERRULE**

FOREIGN PATENT DOCUMENTS

(71) Applicant: **FUJIKURA LTD.**, Koto-ku, Tokyo (JP)

JP D1224622 S 12/2004

(72) Inventor: **Seiji Kato**, Sakura (JP)

* cited by examiner

(73) Assignee: **FUJIKURA LTD.**, Tokyo (JP)

Primary Examiner — Daniel Bui

(**) Term: **14 Years**

(74) *Attorney, Agent, or Firm* — Sughrue Mion, PLLC

(21) Appl. No.: **29/485,685**

(22) Filed: **Mar. 21, 2014**

(57) **CLAIM**

The ornamental design for an optical connector ferrule, as shown and described.

(30) **Foreign Application Priority Data**

DESCRIPTION

Sep. 24, 2013 (JP) 2013-022063

(51) **LOC (10) Cl.** **13-03**

(52) **U.S. Cl.**
USPC **D13/147**

(58) **Field of Classification Search**
USPC D13/133, 146, 147, 154, 184, 199
See application file for complete search history.

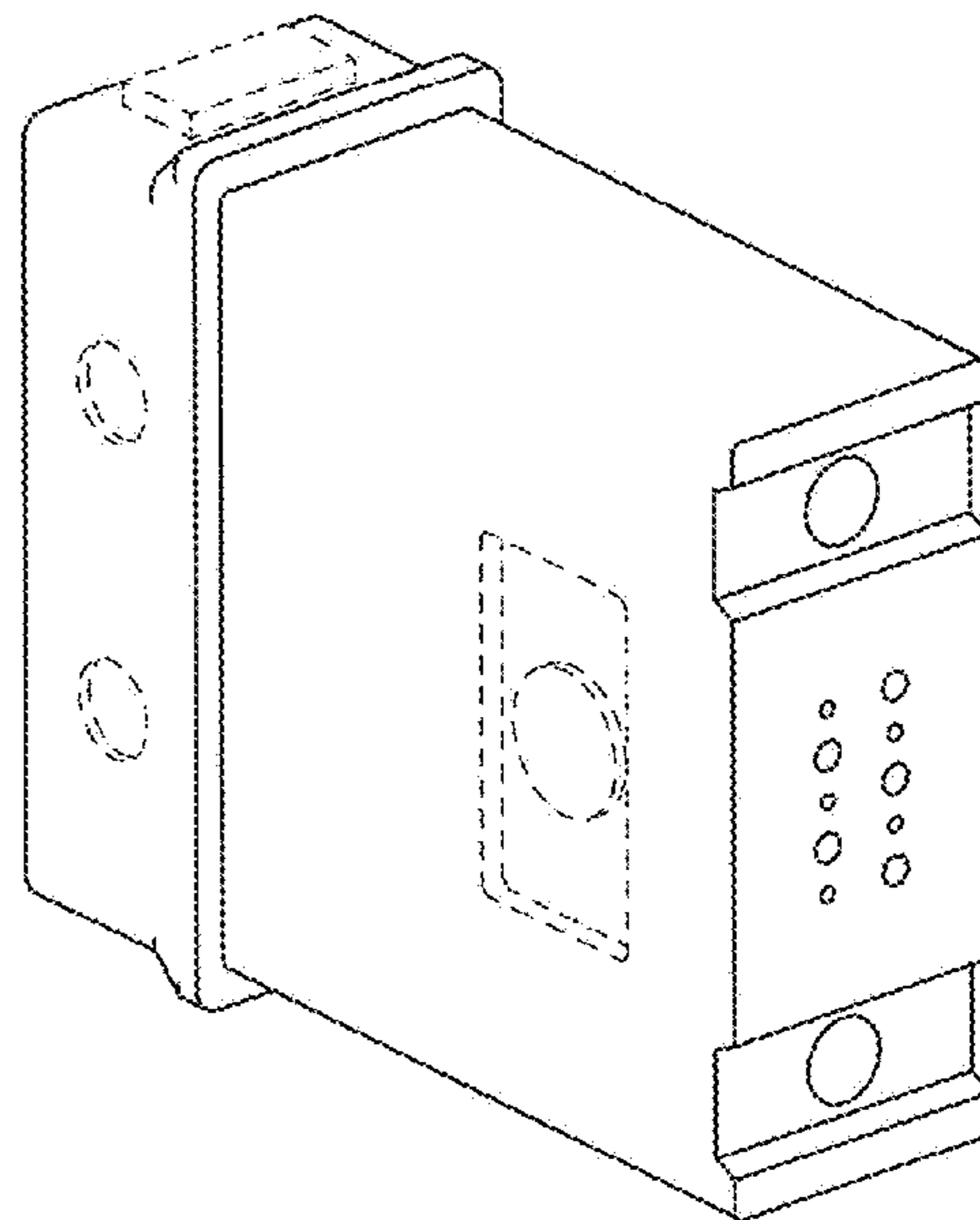
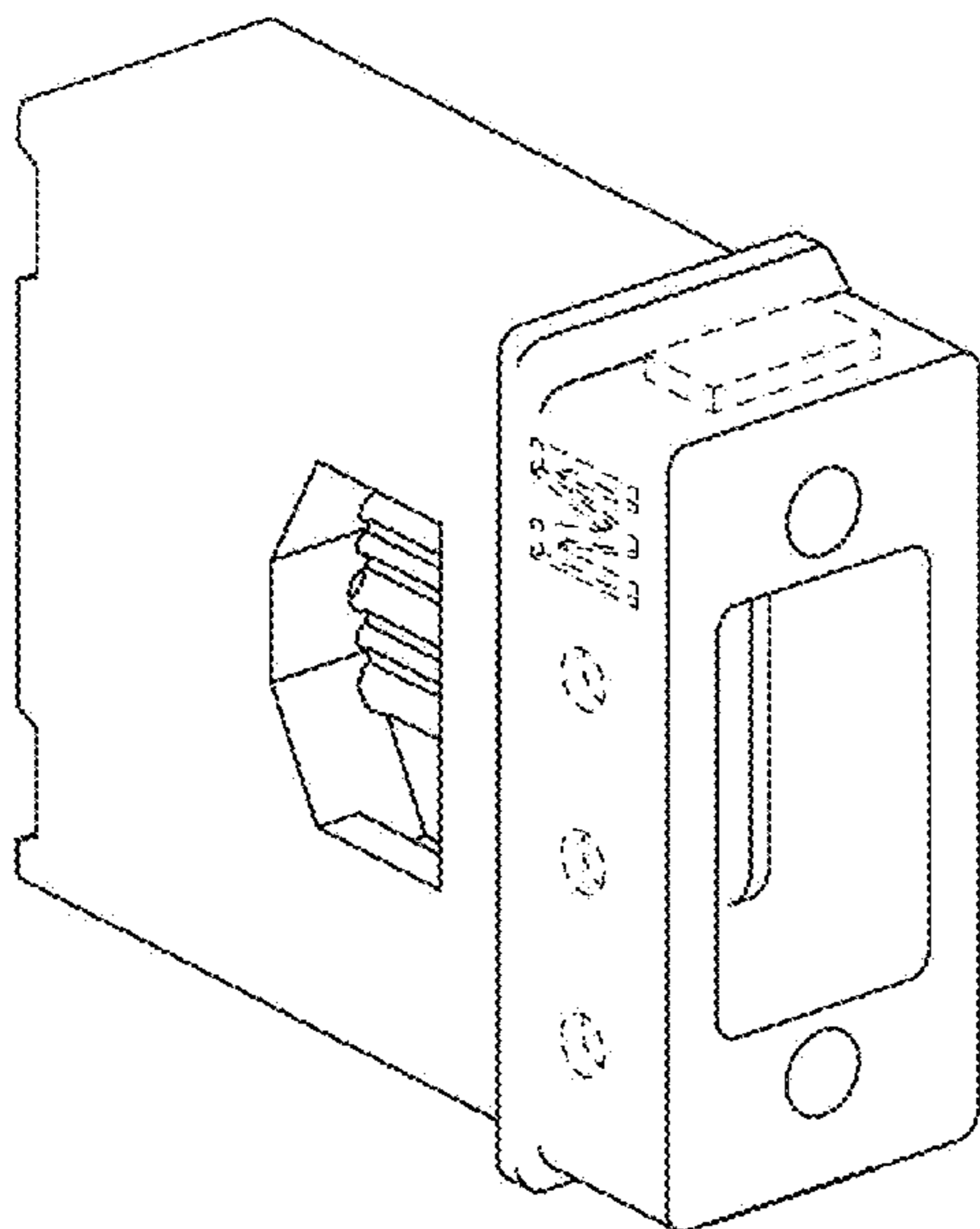
(56) **References Cited**

U.S. PATENT DOCUMENTS

D611,422 S *	3/2010	Kato	D13/147
D619,536 S *	7/2010	Kato	D13/147
D640,639 S *	6/2011	Gravolin	D13/133
2006/0245695 A1 *	11/2006	Fujiwara	G02B 6/3885 385/71
2009/0116793 A1 *	5/2009	Nishimura	G02B 6/3885 385/78
2009/0257718 A1 *	10/2009	Nishimura	G02B 6/3885 385/80
2011/0229086 A1 *	9/2011	Bradley	G02B 6/3885 385/78
2011/0229092 A1 *	9/2011	Fujiwara	G02B 6/3831 385/88

FIG. 1 is a right, top perspective view of an optical connector ferrule showing my new design;
 FIG. 2 is a left, bottom perspective view thereof;
 FIG. 3 is a front elevation view thereof;
 FIG. 4 is a left elevation view thereof;
 FIG. 5 is a right side elevation view thereof;
 FIG. 6 is a top plan view thereof;
 FIG. 7 is a bottom plan view thereof;
 FIG. 8 is a cross sectional view thereof, taken along line 8-8 of FIG. 6;
 FIG. 9 is a cross sectional view thereof, taken along line 9-9 of FIG. 6;
 FIG. 10 is a cross sectional view thereof, taken along line 10-10 of FIG. 6;
 FIG. 11 is a right, top perspective view thereof as a reference; and,
 FIG. 12 is a left side elevational view thereof as a reference.
 The broken line in the drawing views is for the purpose of illustrating unclaimed environment structure and forms no part of the claimed design.

1 Claim, 12 Drawing Sheets



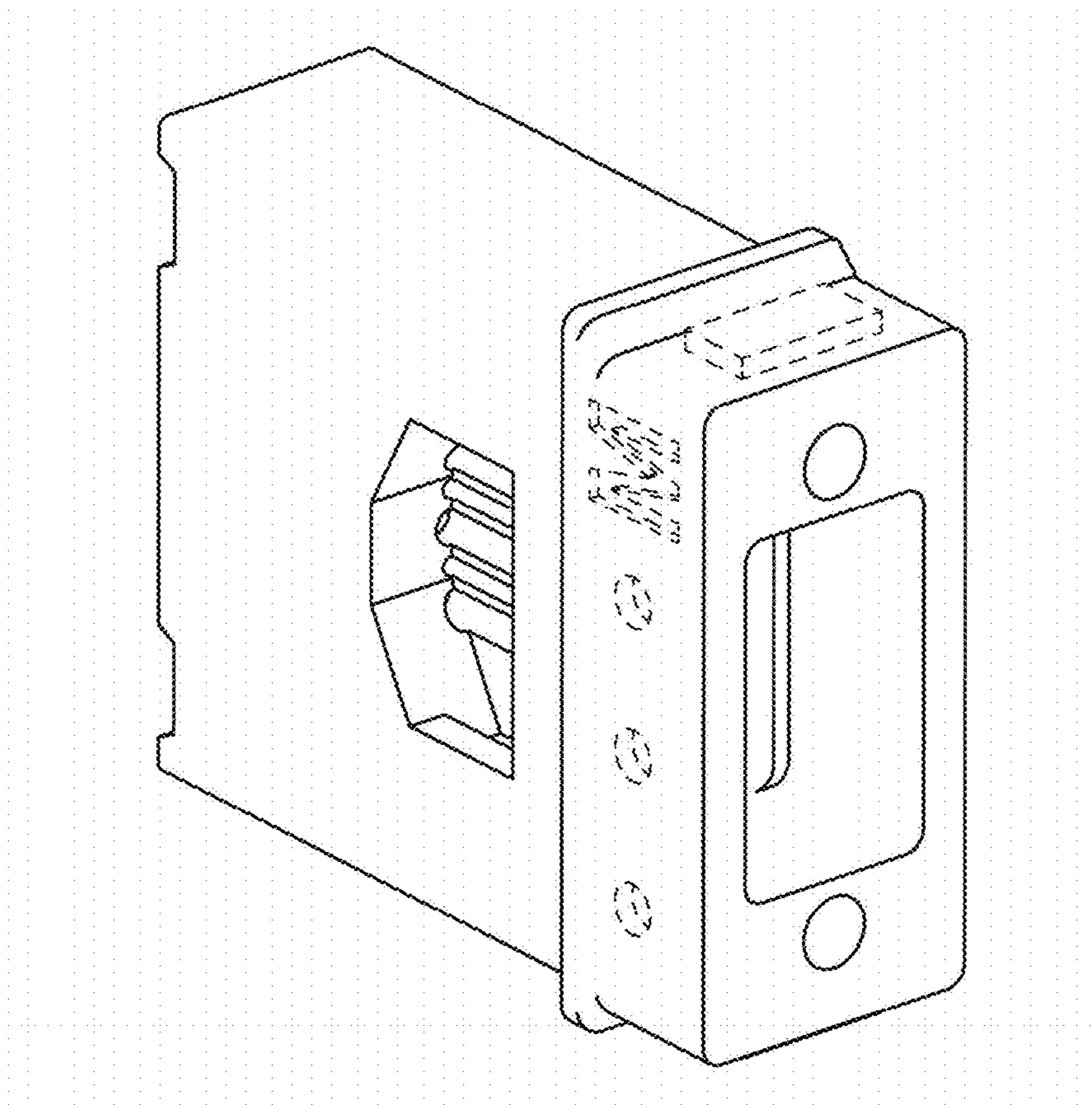


FIG. 1

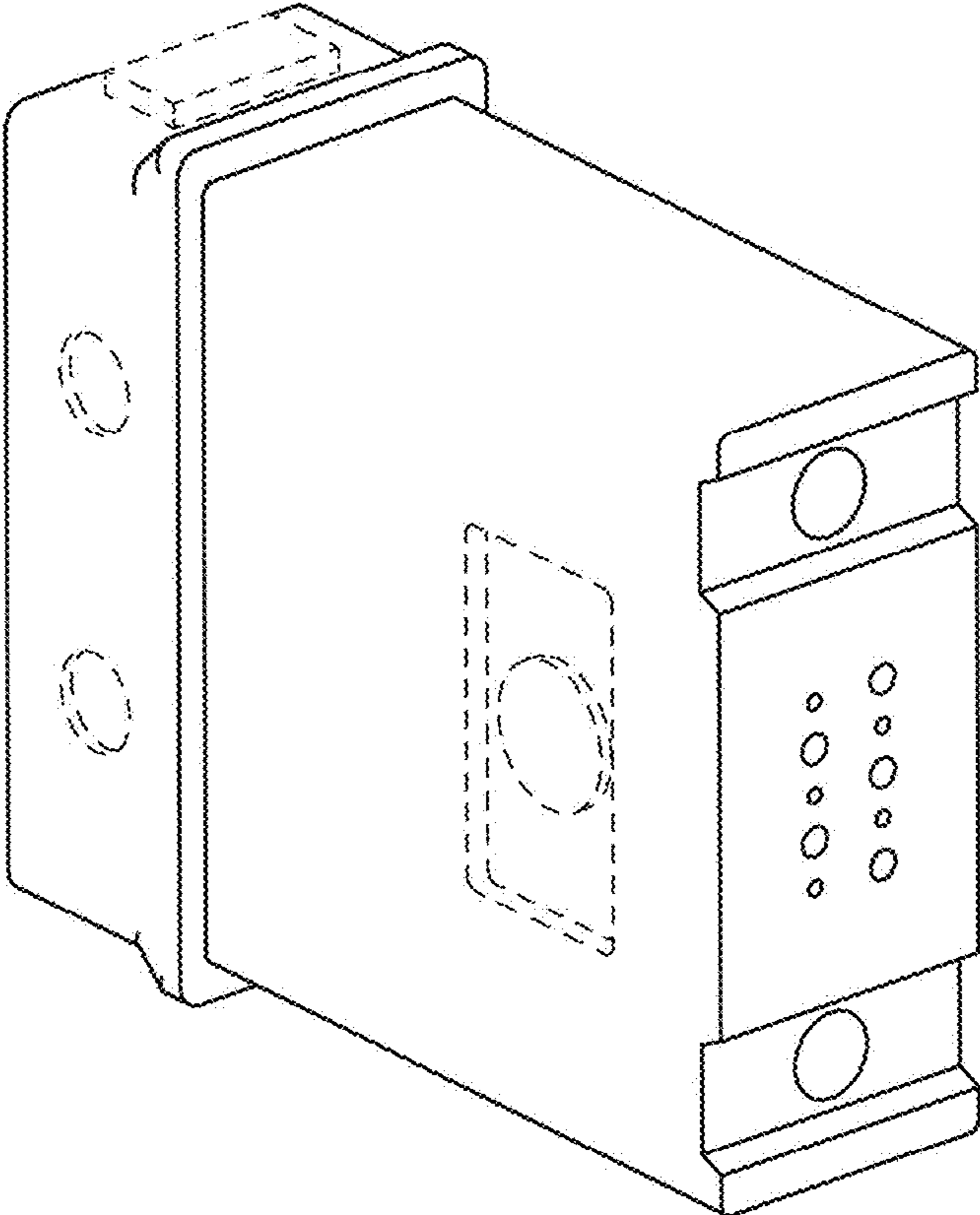


FIG. 2

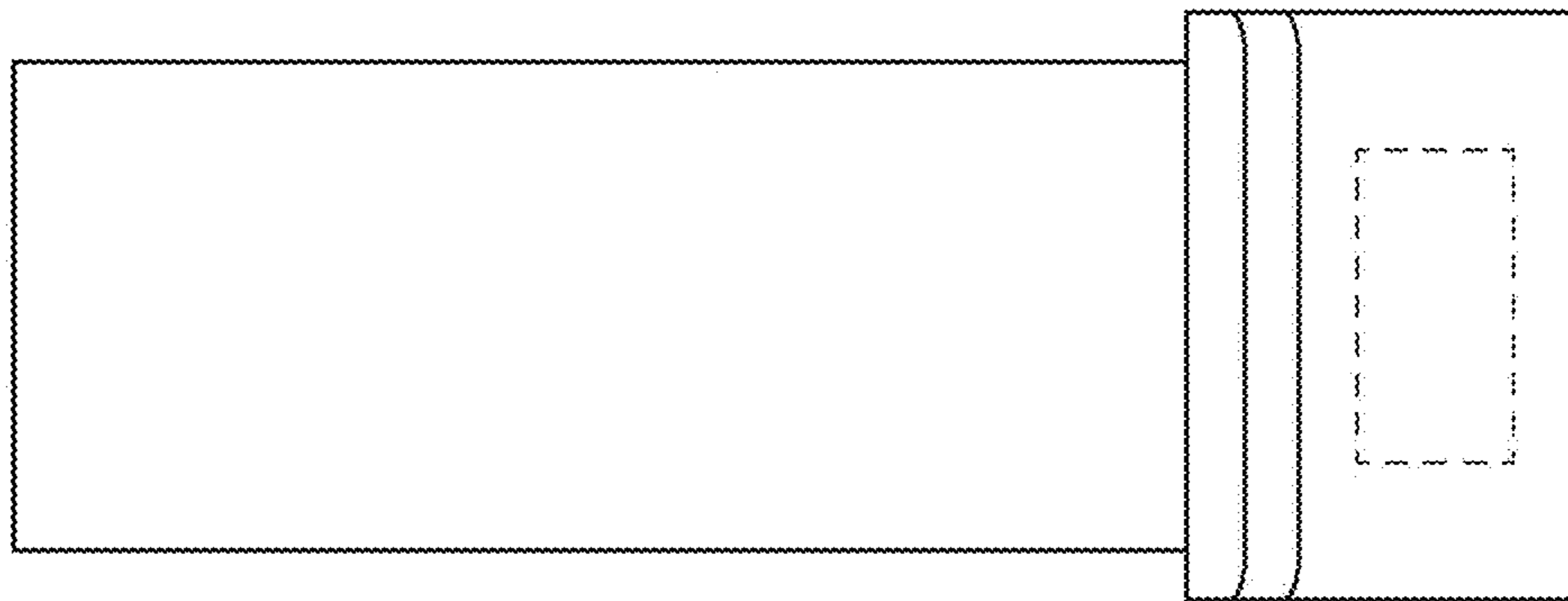


FIG. 3

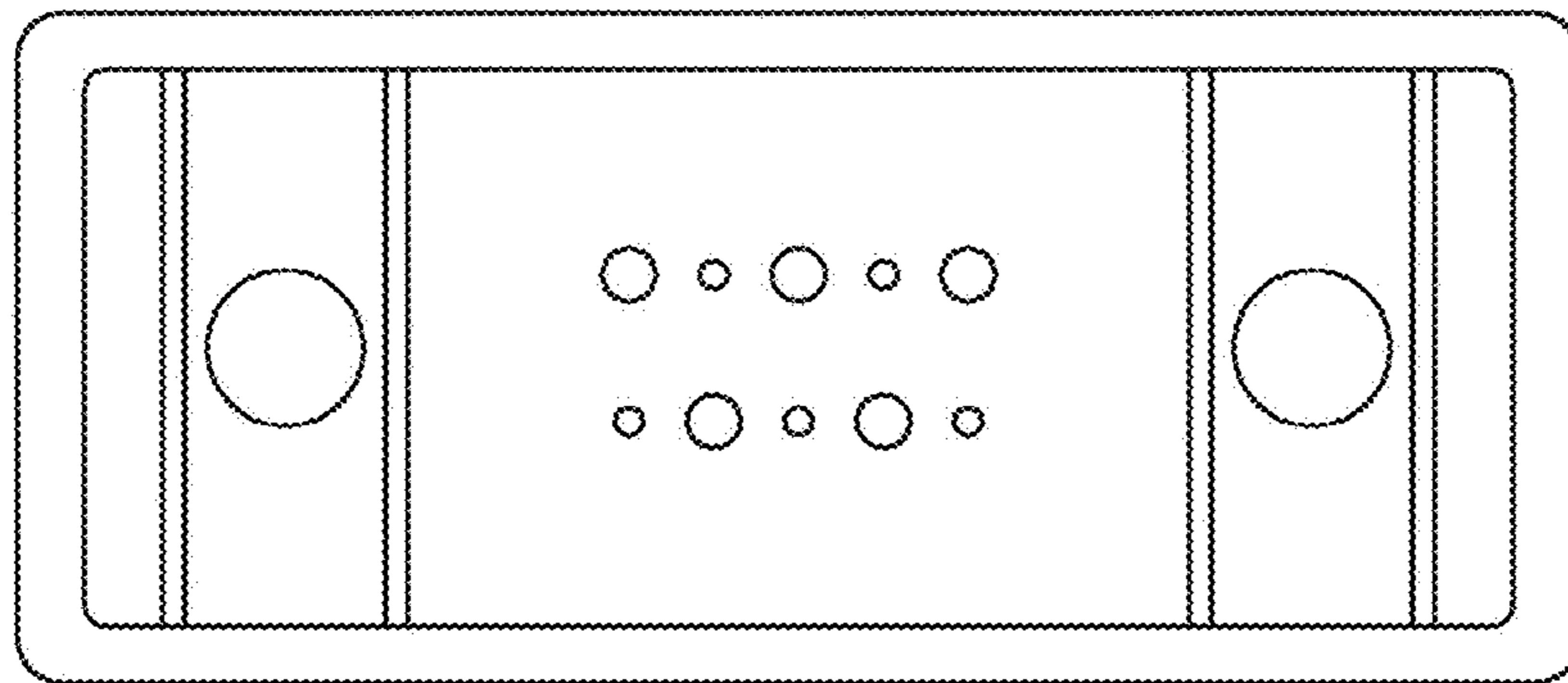


FIG. 4

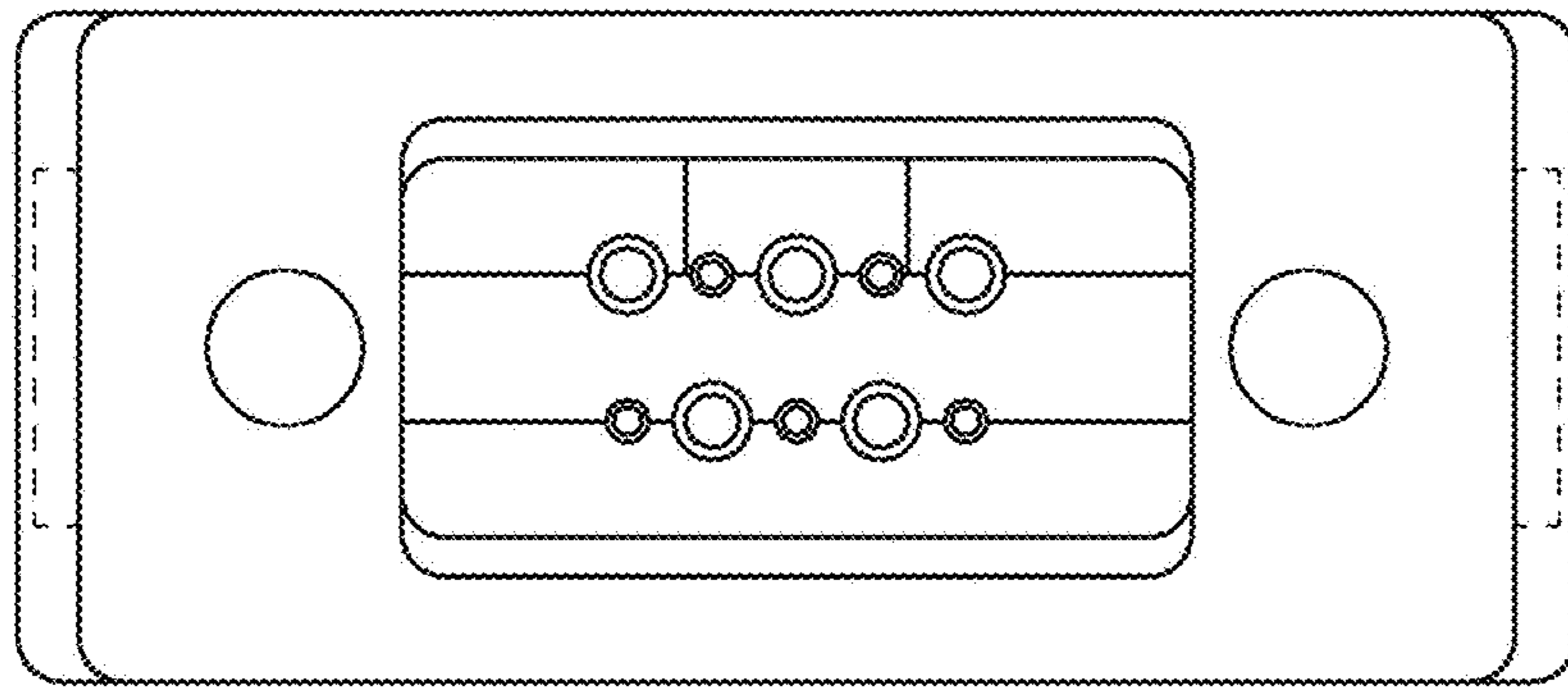


FIG. 5

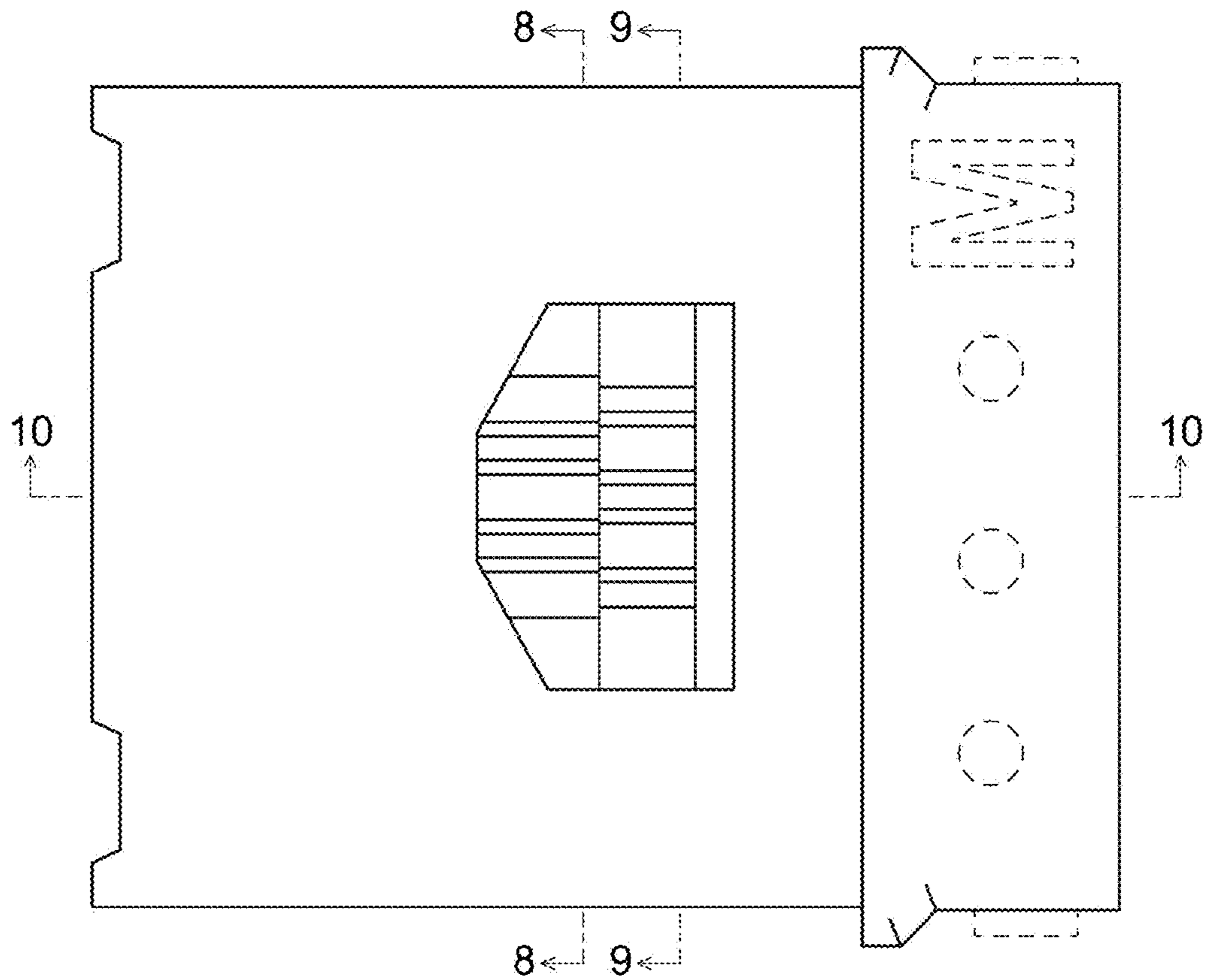


FIG. 6

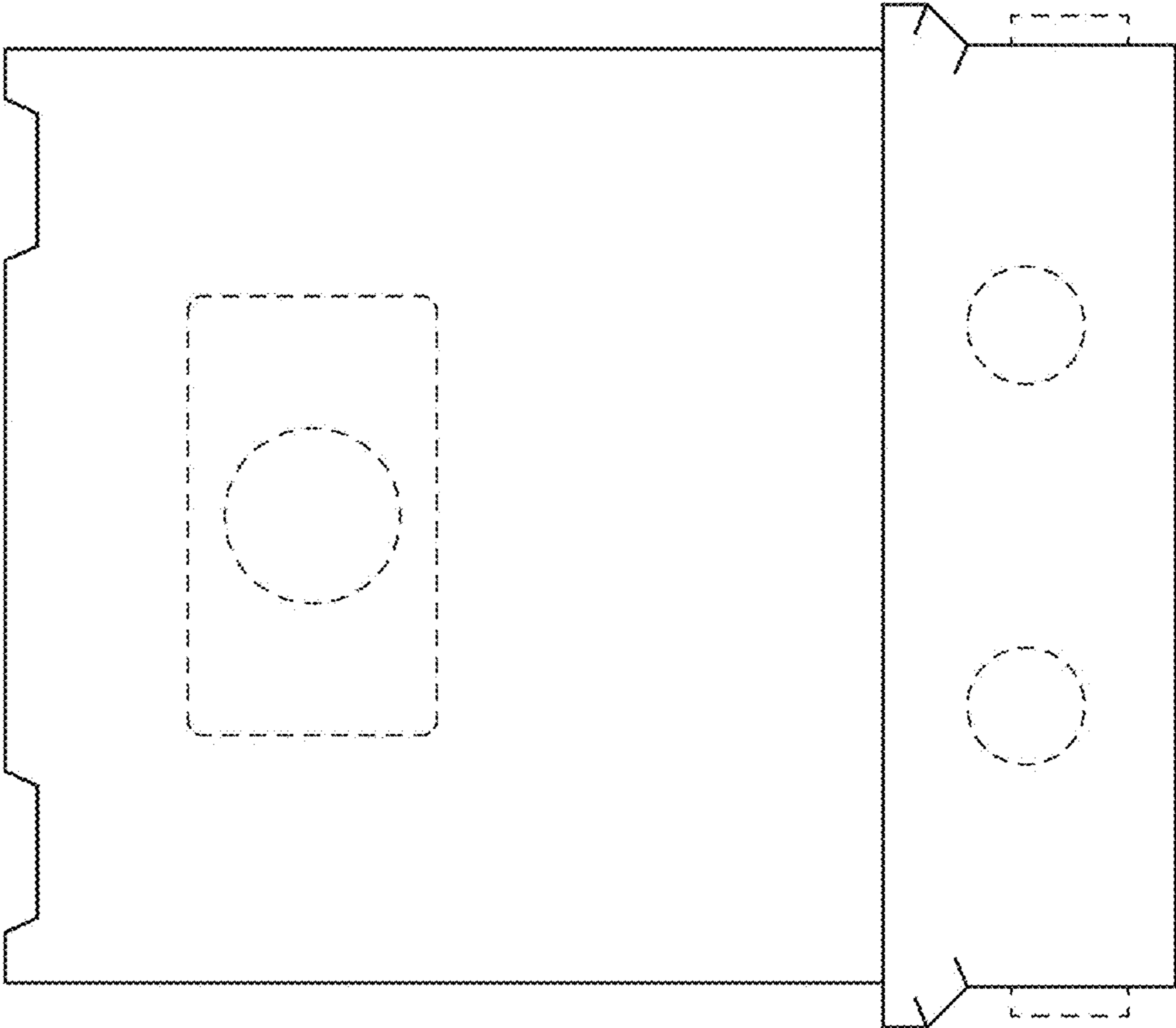


FIG. 7

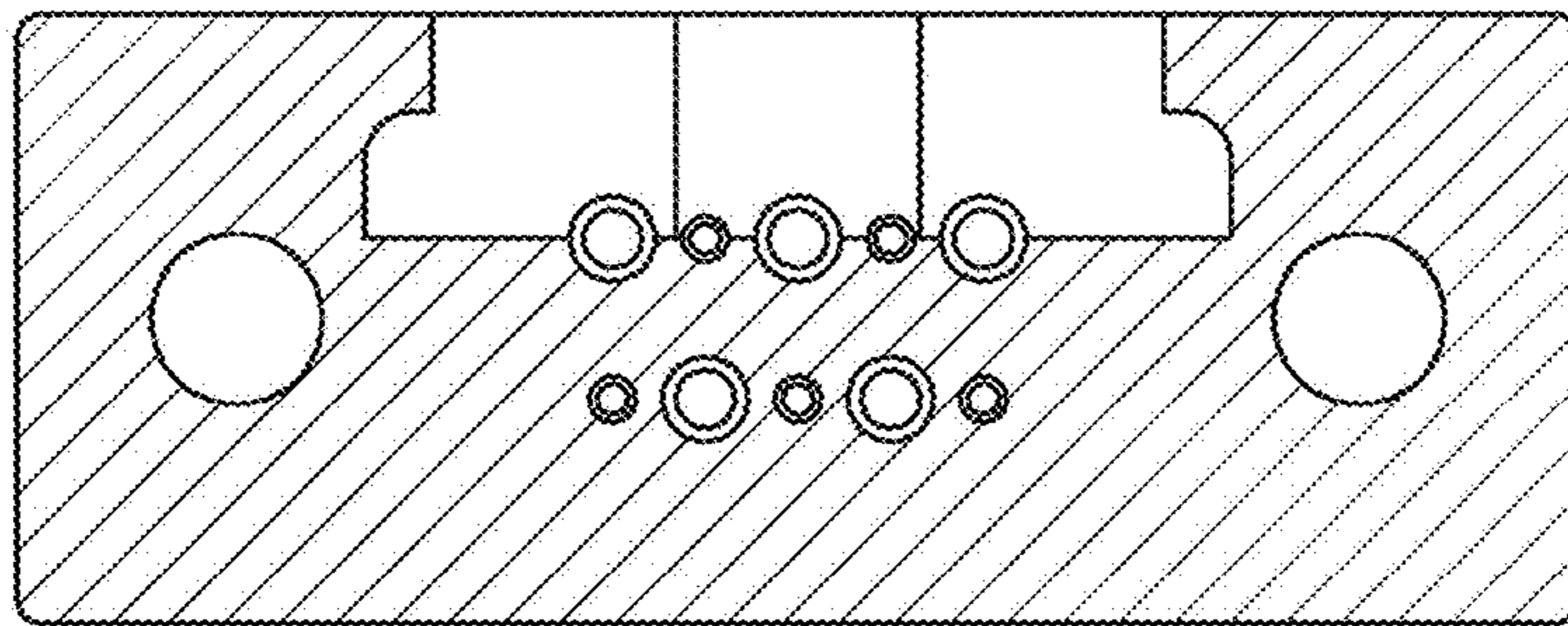


FIG. 8

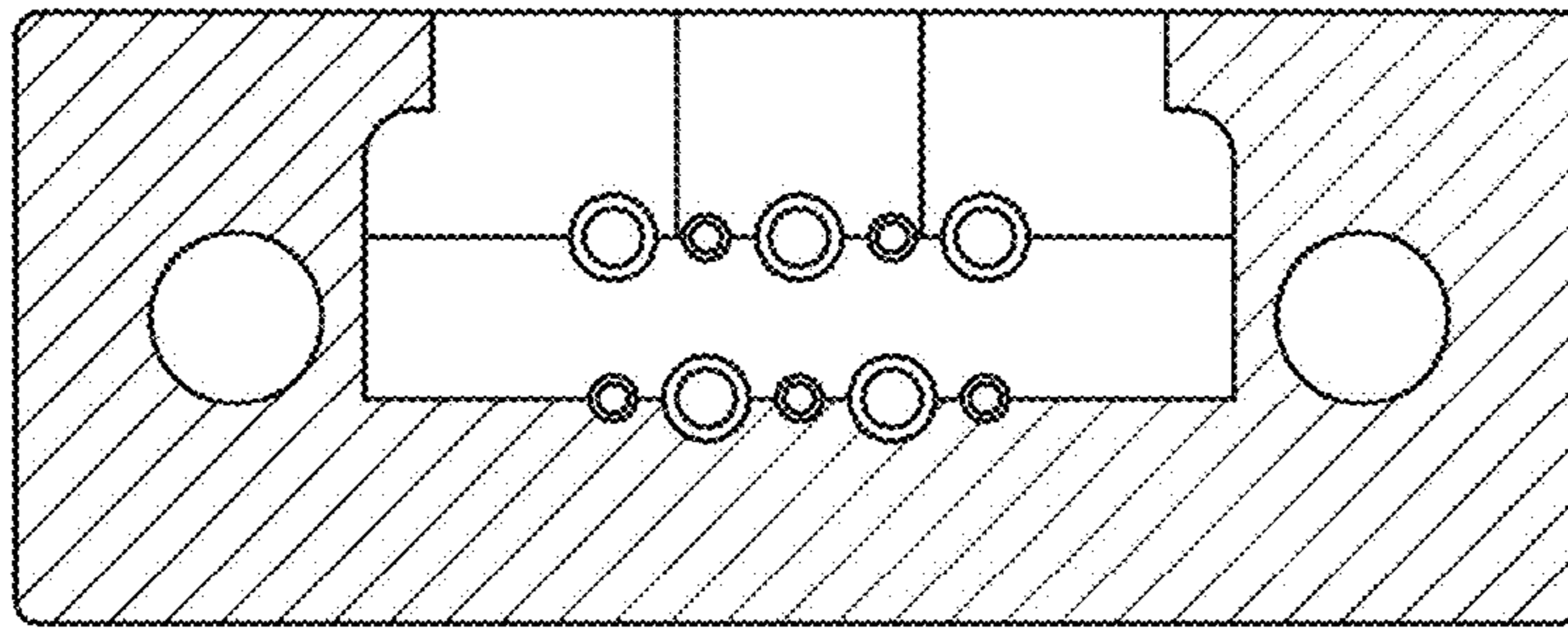


FIG. 9

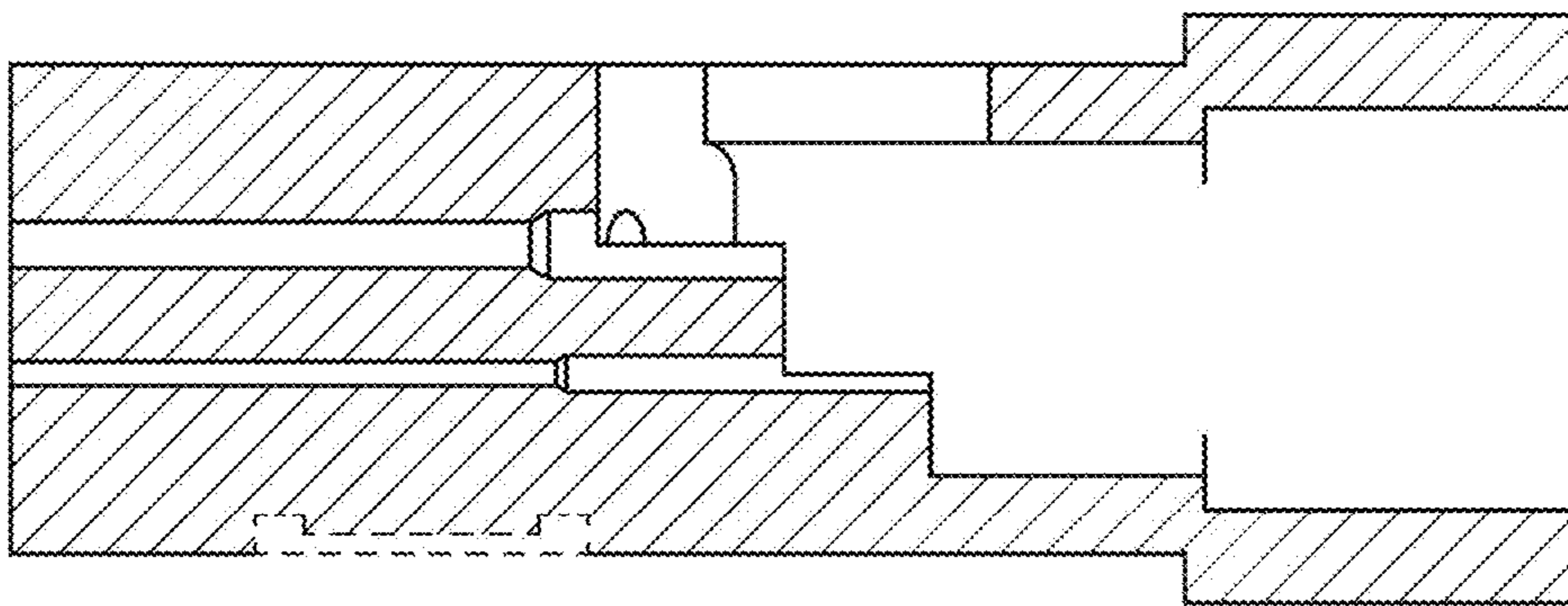


FIG. 10

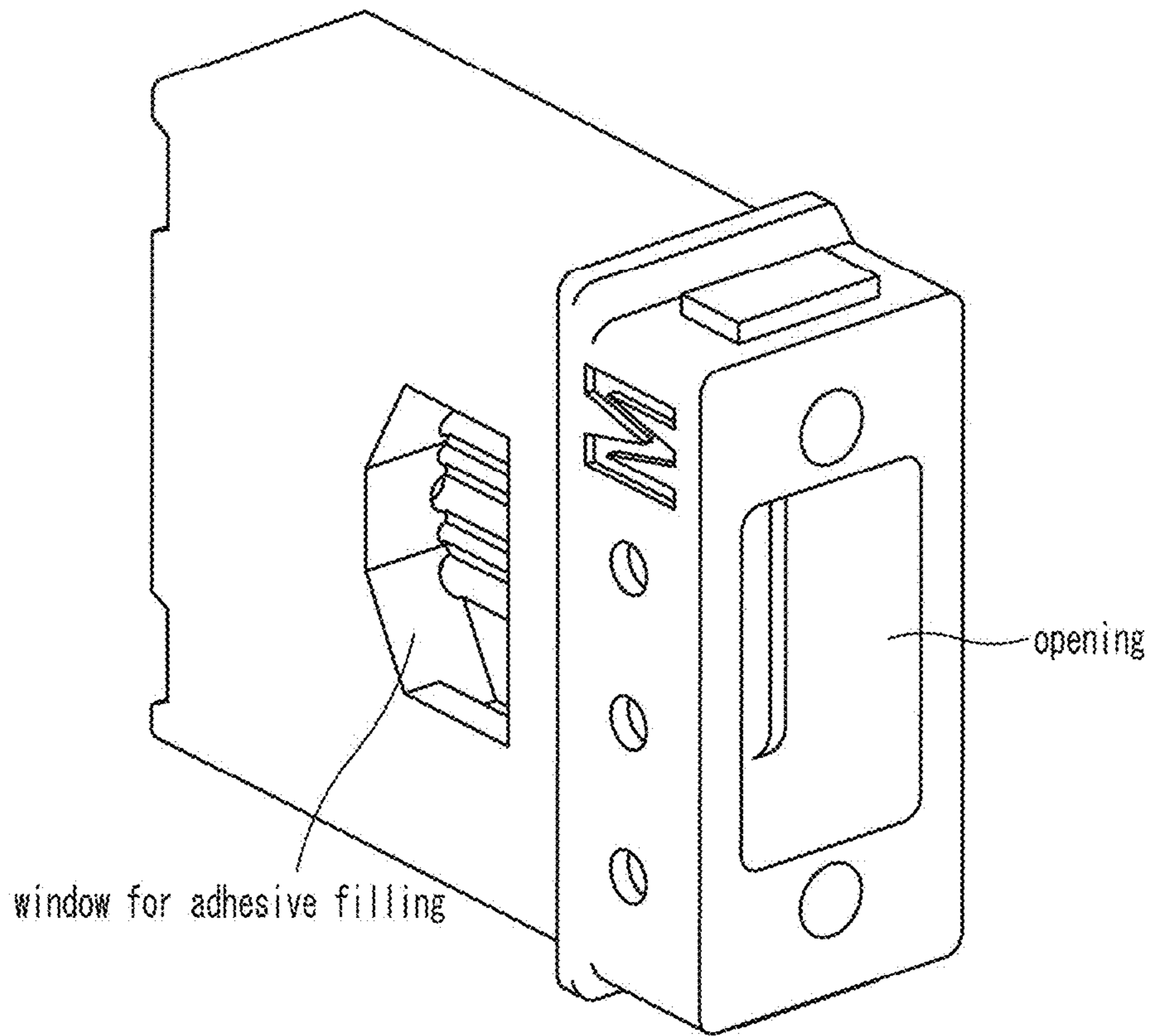


FIG. 11

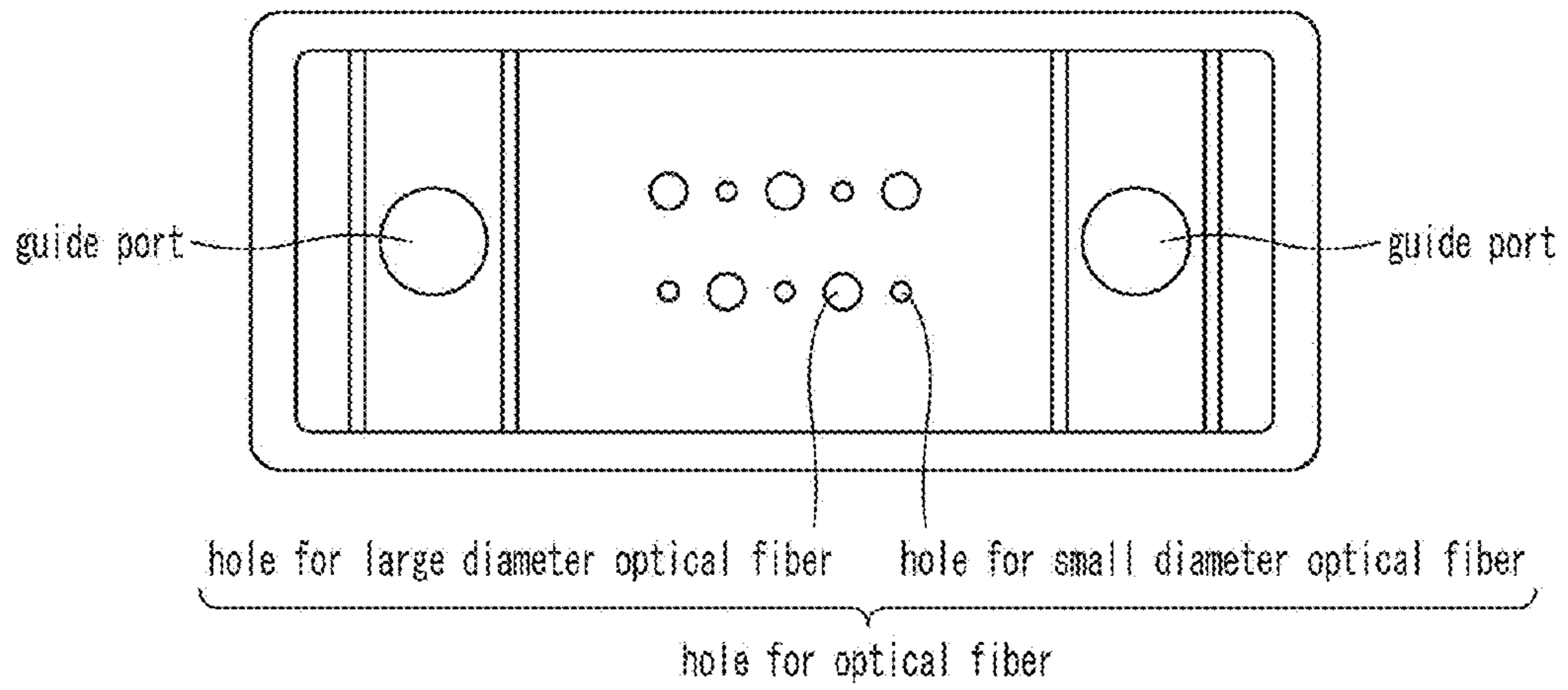


FIG. 12