



US00D746778S

(12) **United States Design Patent**
Ishimaru

(10) **Patent No.:** **US D746,778 S**
(45) **Date of Patent:** **** Jan. 5, 2016**

(54) **ELECTRICAL CONNECTOR**

(71) Applicant: **DAI-ICHI SEIKO CO., LTD.**, Kyoto (JP)

(72) Inventor: **Masao Ishimaru**, Fukuoka (JP)

(73) Assignee: **DAI-ICHI SEIKO CO., LTD.**, Kyoto (JP)

(**) Term: **14 Years**

(21) Appl. No.: **29/484,690**

(22) Filed: **Mar. 12, 2014**

(30) **Foreign Application Priority Data**

Sep. 20, 2013 (JP) 2013-021748

(51) **LOC (10) Cl.** **13-03**

(52) **U.S. Cl.**
USPC **D13/147**

(58) **Field of Classification Search**
USPC D13/147, 154, 184, 199
See application file for complete search history.

(56) **References Cited**

U.S. PATENT DOCUMENTS

D491,527 S *	6/2004	Fan	D13/147
D505,920 S *	6/2005	Moritake	D13/147
D517,495 S *	3/2006	Fan	D13/147
D635,516 S *	4/2011	Faith	D13/147
D700,580 S	3/2014	Ishimaru		
D718,245 S *	11/2014	Sato	D13/147
2012/0100742 A1	4/2012	Ishimaru		
2012/0214329 A1	8/2012	Ishimaru		
2013/0005174 A1	1/2013	Ishimaru		

FOREIGN PATENT DOCUMENTS

JP D1419372 6/2011

OTHER PUBLICATIONS

U.S. Appl. No. 29/459,877, filed Jul. 3, 2013, Ishimura.

* cited by examiner

Primary Examiner — Daniel Bui

(74) *Attorney, Agent, or Firm* — Oblon, McClelland, Maier & Neustadt, L.L.P.

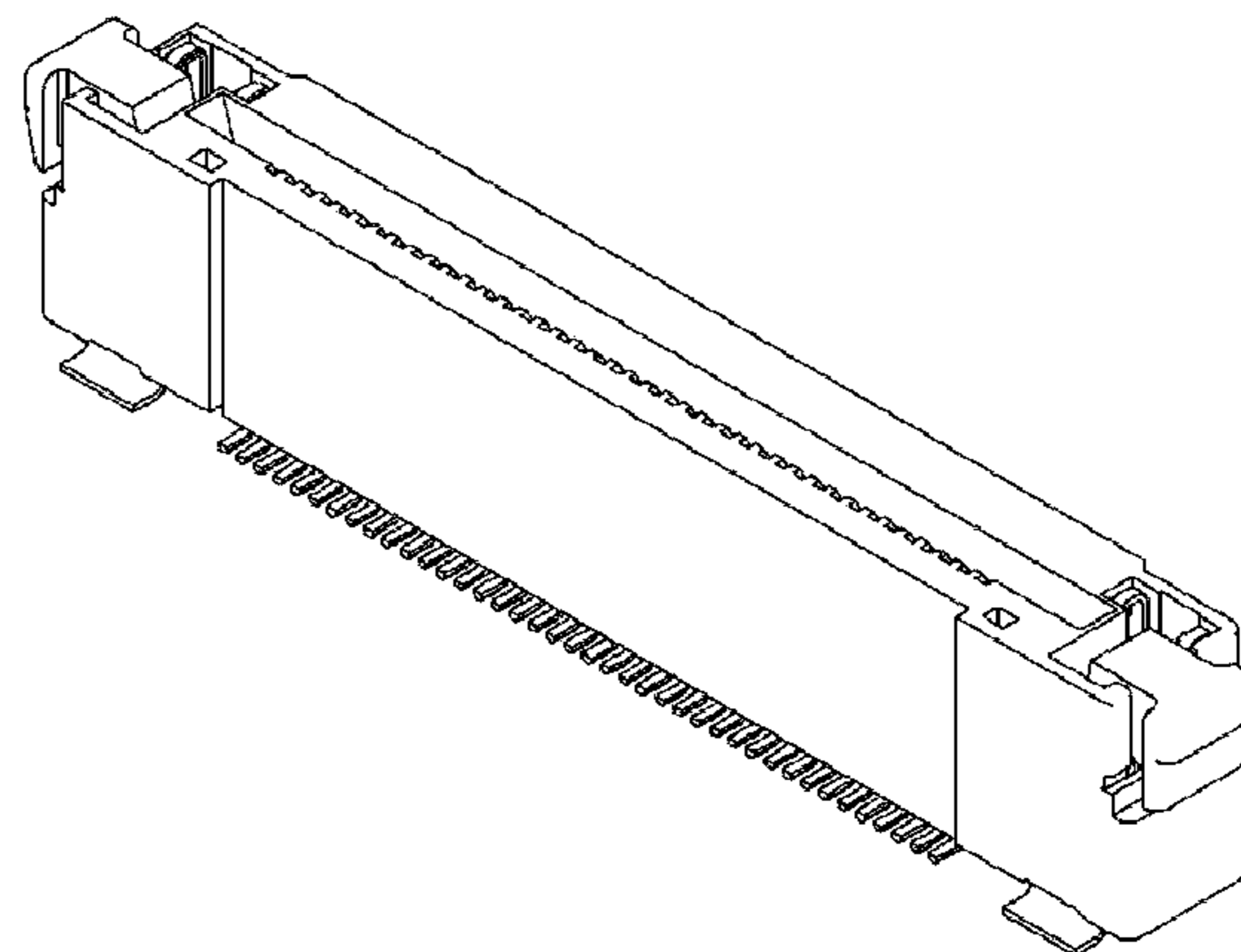
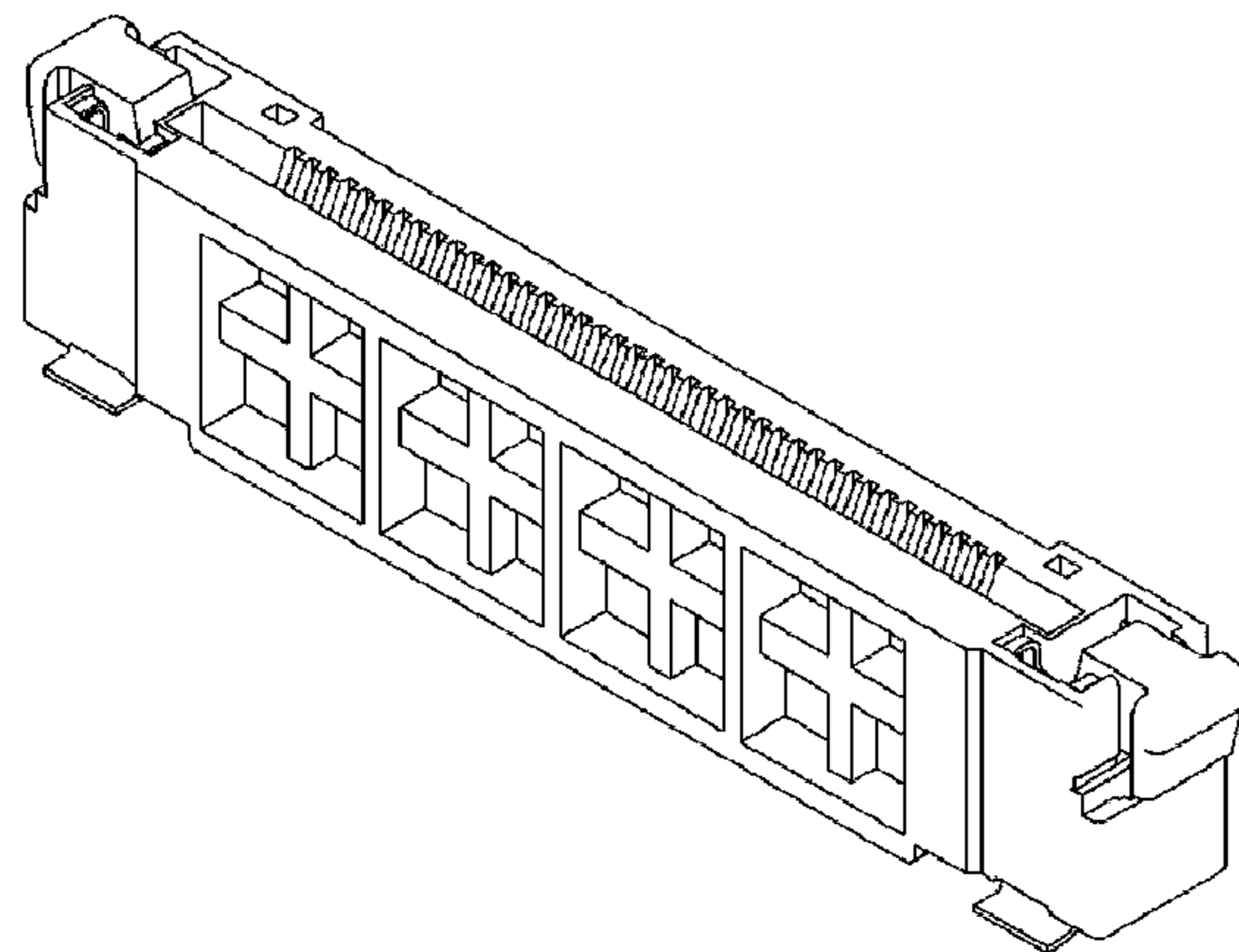
(57) **CLAIM**

The ornamental design for an electrical connector, as shown and described.

DESCRIPTION

FIG. 1 is a top plan view of an electrical connector of an embodiment showing my new design;
FIG. 2 is a front elevational view thereof;
FIG. 3 is a bottom plan view thereof;
FIG. 4 is a rear elevational view thereof;
FIG. 5 is a right side elevational view thereof;
FIG. 6 is a front, top, and right side perspective view thereof; and,
FIG. 7 is a rear, top, and left side perspective view thereof.
Herein, the left side elevational view being a mirror image of the right side elevational view.
Also, the broken line in the figure drawing views is included for the purpose of illustrating environment and forms no part of the claimed design.

1 Claim, 7 Drawing Sheets



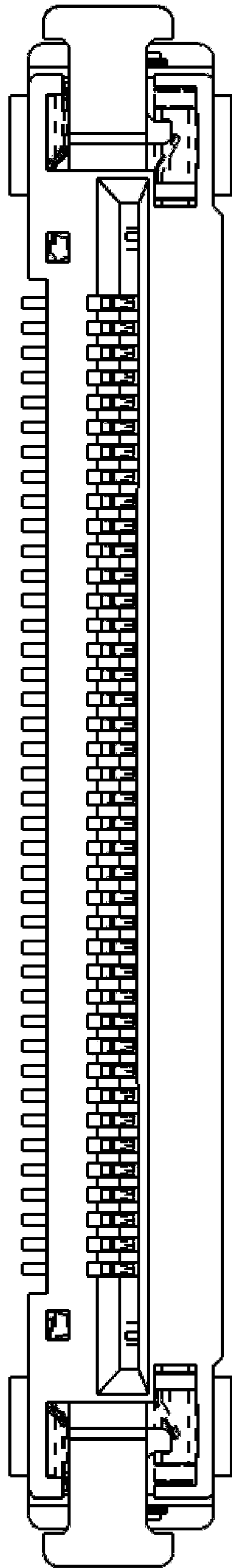


FIG. 1

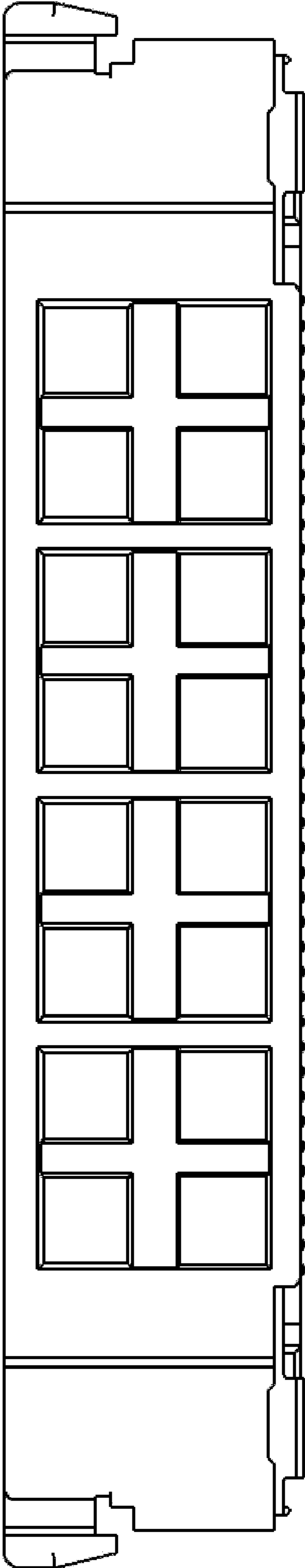


FIG. 2

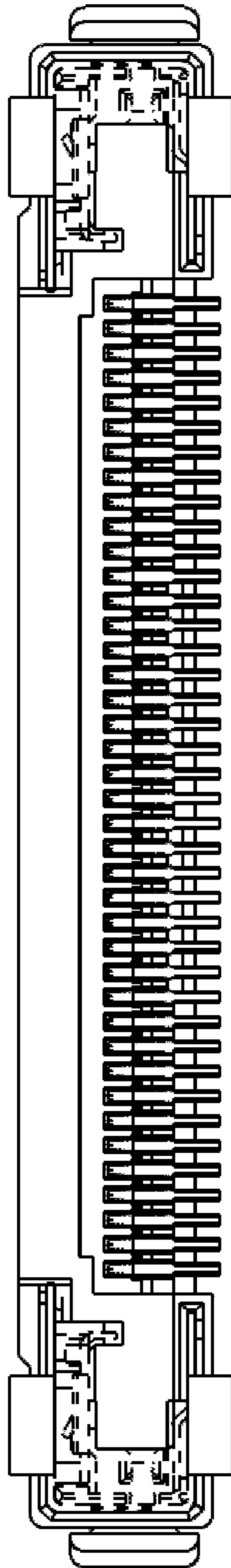


FIG. 3

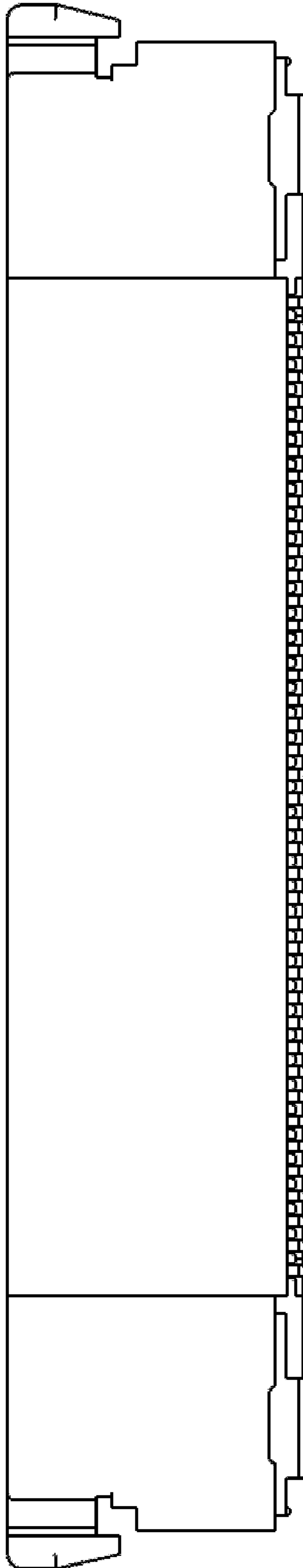


FIG. 4

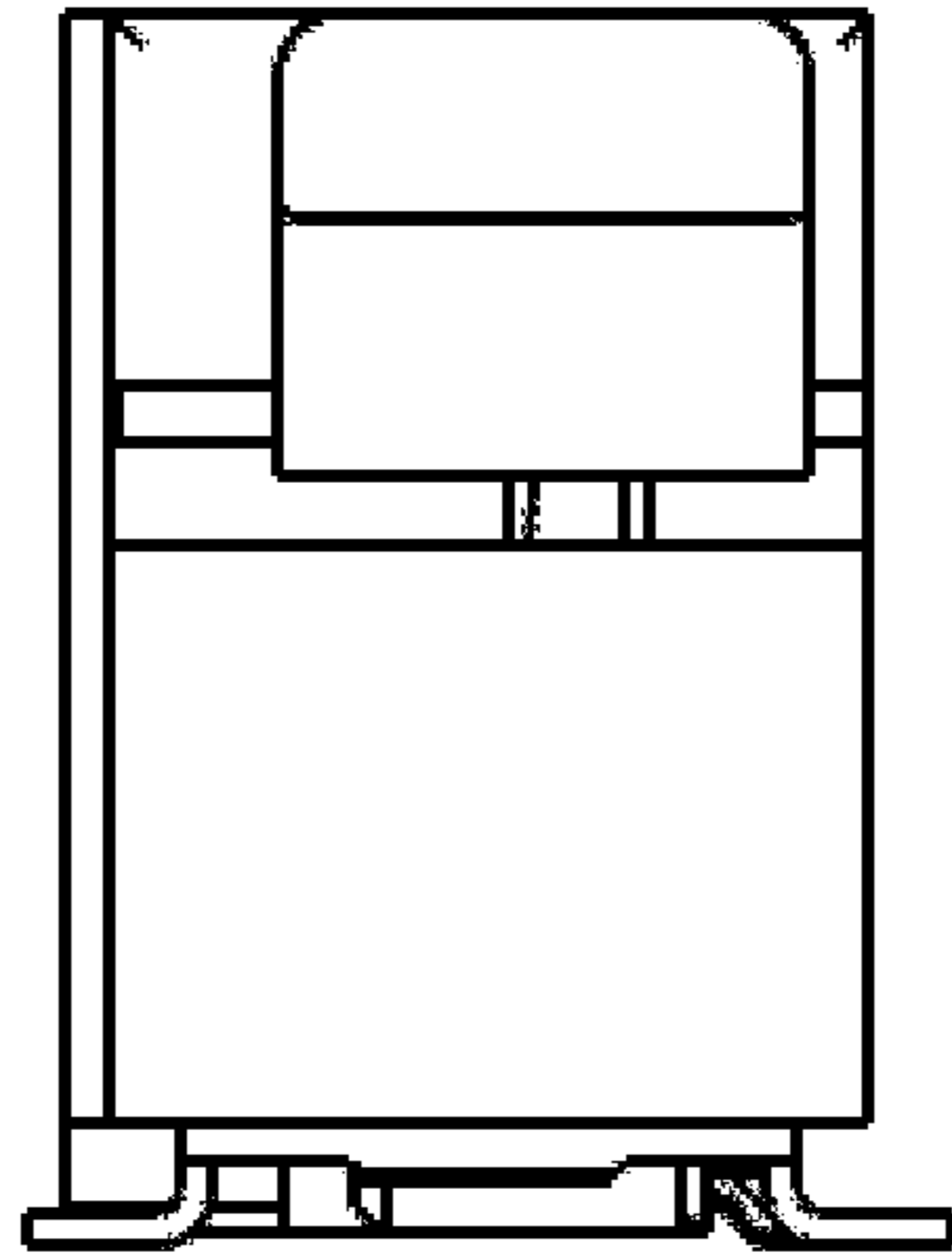


FIG. 5

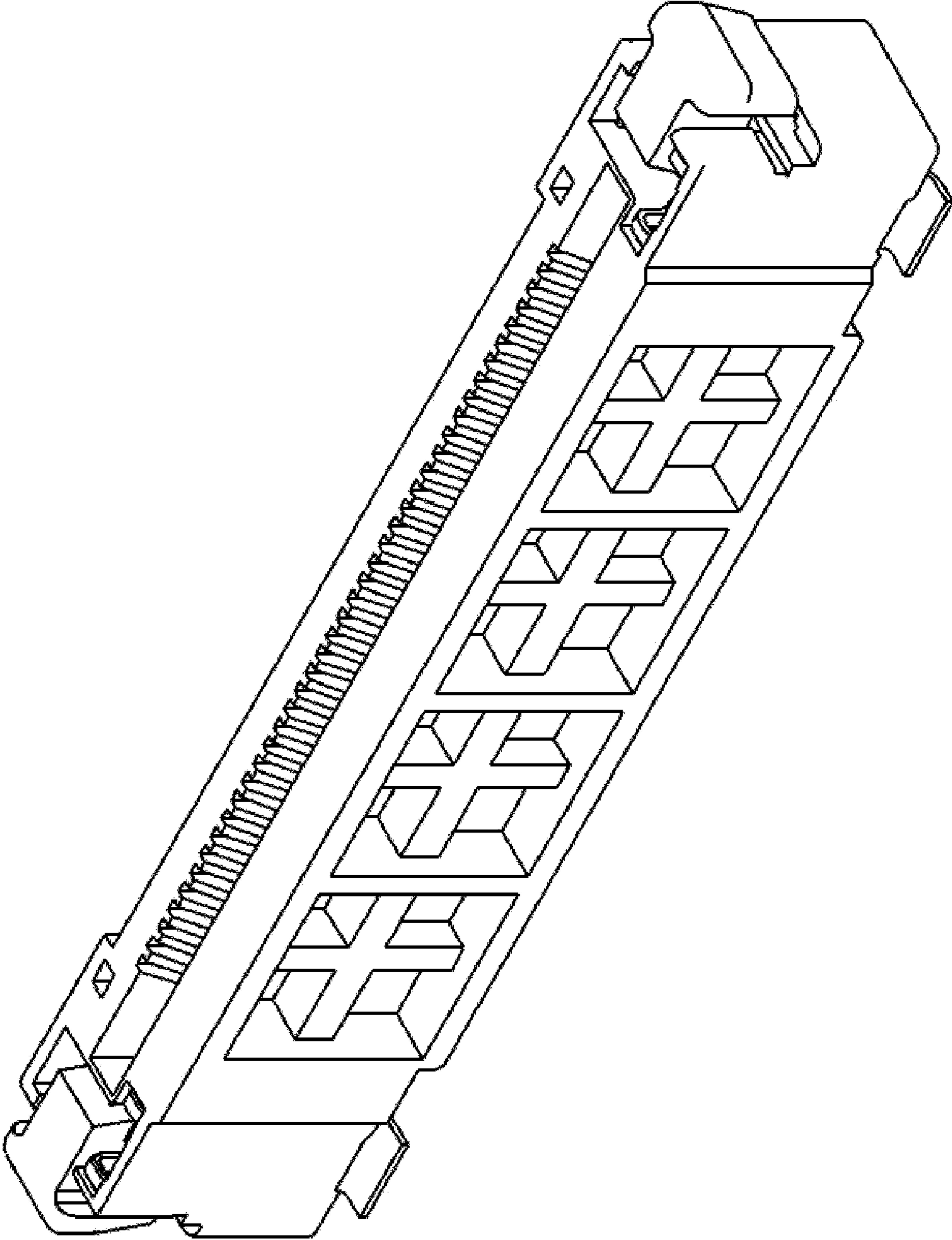


FIG. 6

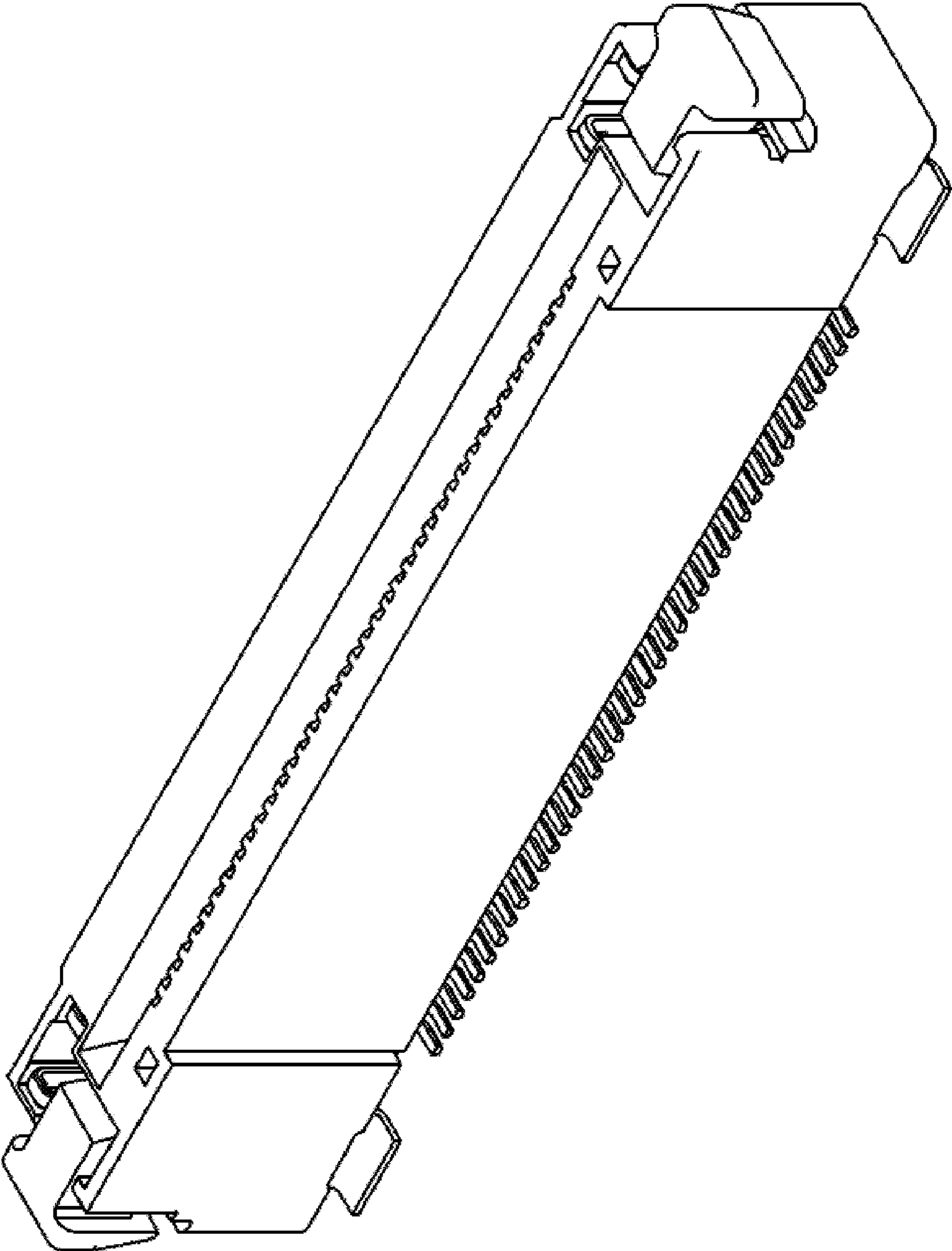


FIG. 7