



US00D746777S

(12) **United States Design Patent**
Lavén et al.

(10) **Patent No.:** **US D746,777 S**
(45) **Date of Patent:** **** Jan. 5, 2016**

(54) **ELECTRICAL CONNECTOR**

(71) Applicant: **Moduel AB**, Stockholm (SE)
(72) Inventors: **Erik Lavén**, Stockholm (SE); **Michael Taylor**, Stockholm (SE); **Jon Westberg**, Stockholm (SE)
(73) Assignee: **Moduel AB**, Stockholm (SE)

(**) Term: **14 Years**

(21) Appl. No.: **29/492,308**

(22) Filed: **May 30, 2014**

(30) **Foreign Application Priority Data**

Dec. 5, 2013 (EM) 001391924

(51) **LOC (10) Cl.** **13-03**

(52) **U.S. Cl.**
USPC **D13/146**

(58) **Field of Classification Search**
USPC D13/133, 146, 147, 154, 184, 199
See application file for complete search history.

(56) **References Cited**

U.S. PATENT DOCUMENTS

D188,419 S *	7/1960	Danesi	D13/146
D251,491 S *	4/1979	Snyder, Jr.	D13/146
D370,204 S *	5/1996	Kittridge	D13/146
D472,523 S *	4/2003	Hansen	D13/146
D512,965 S *	12/2005	Dobler	D13/146
D715,227 S *	10/2014	Leem	D13/146

* cited by examiner

Primary Examiner — Daniel Bui

(74) *Attorney, Agent, or Firm* — Renner, Otto, Boisselle & Sklar, LLP

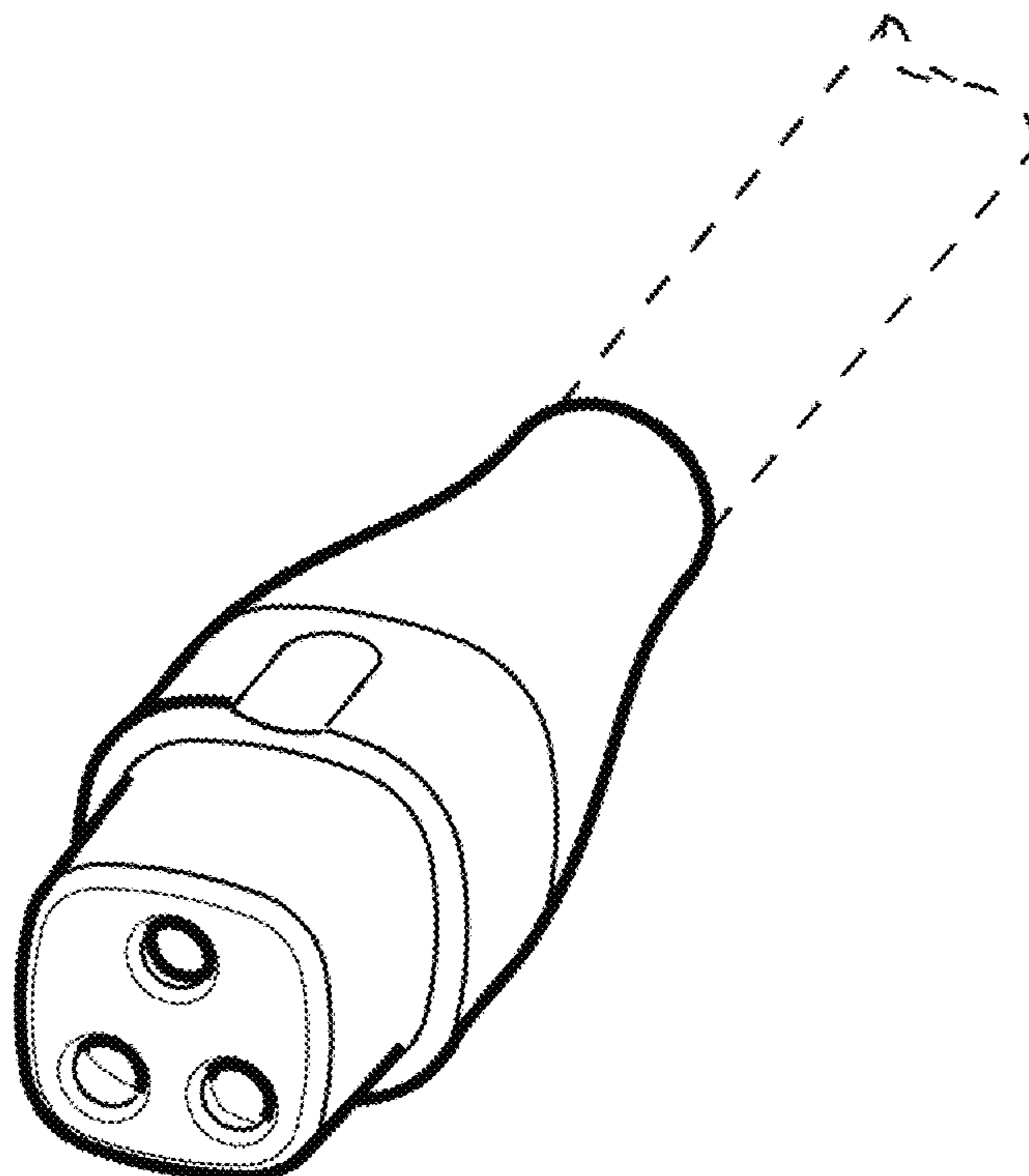
(57) **CLAIM**

The ornamental design for an electrical connector, as shown and described.

DESCRIPTION

FIG. 1 is a front and top perspective view of an electrical module showing our new design; FIG. 2 is a front elevation view thereof; FIG. 3 is a rear elevation view thereof; FIG. 4 is a top plan view thereof; FIG. 5 is a bottom plan view thereof; FIG. 6 is a right side elevation view thereof; and, FIG. 7 is a left side elevation view thereof. The broken line in the figure drawing views is included to show unclaimed environment only and forms no part of the claimed design.

1 Claim, 5 Drawing Sheets



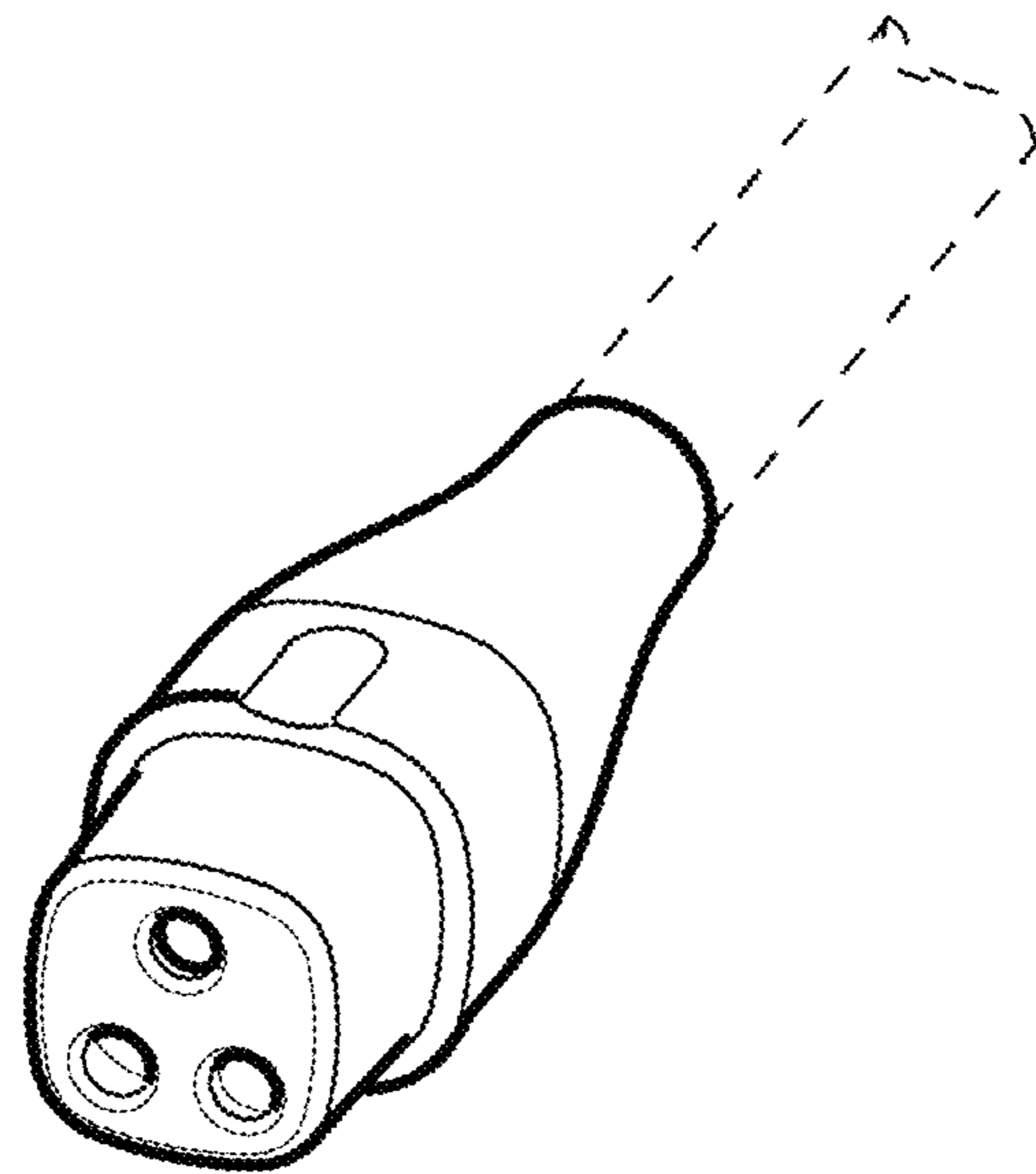


FIG. 1

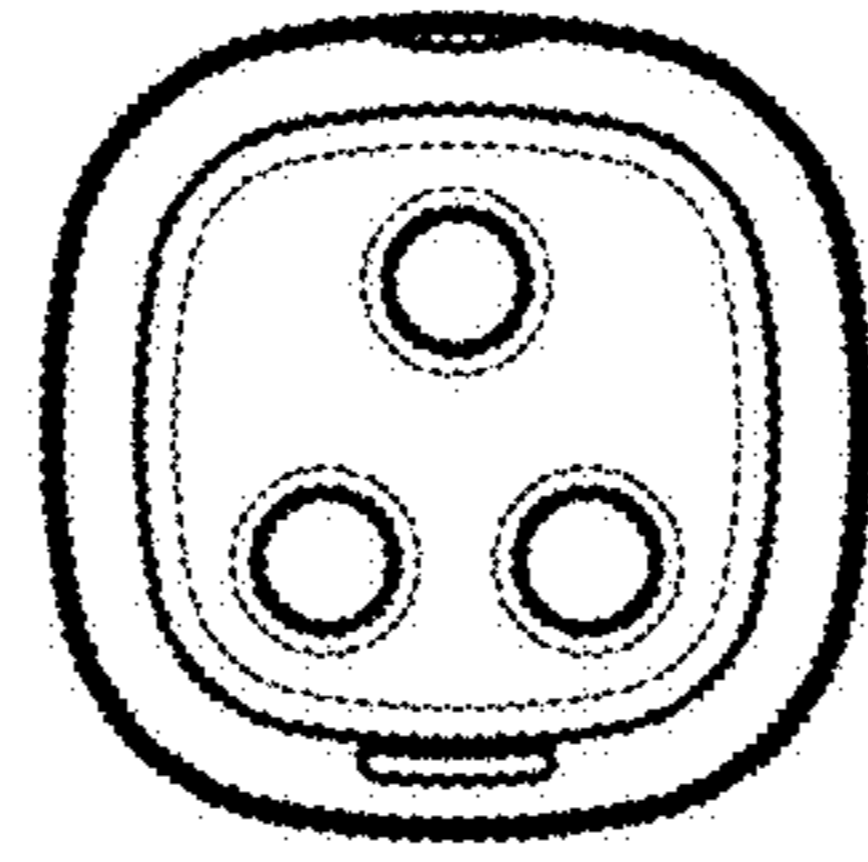


FIG. 2

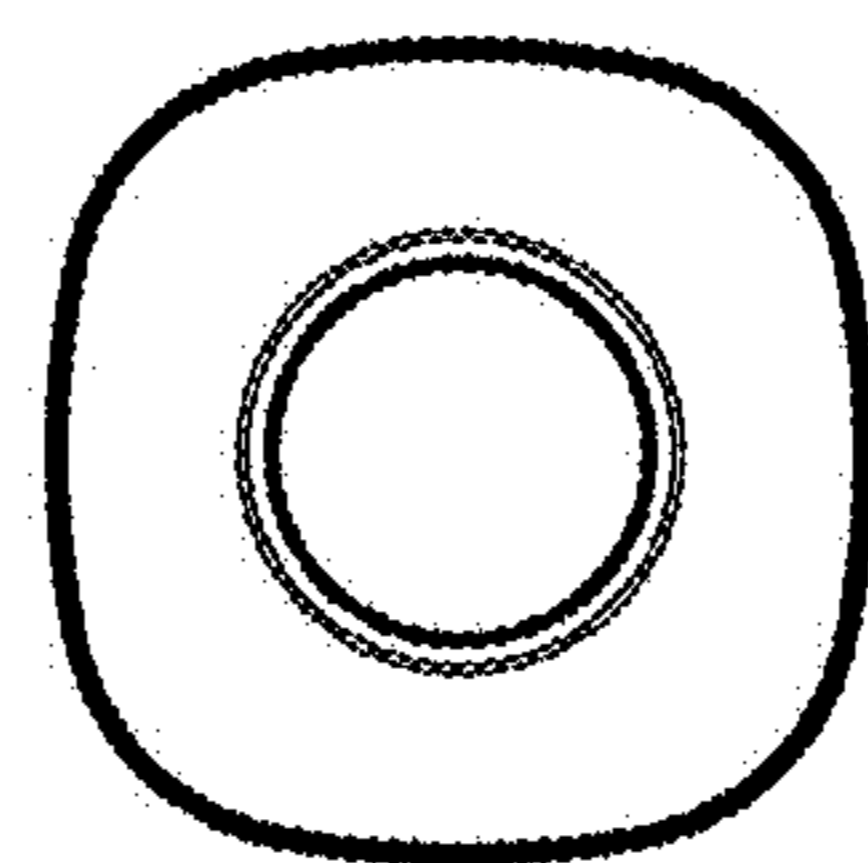


FIG. 3

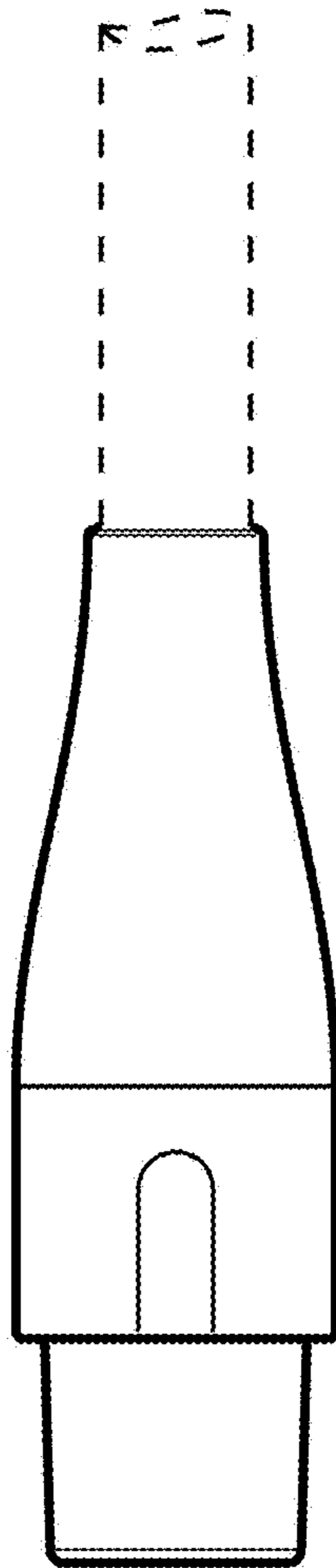


FIG. 4

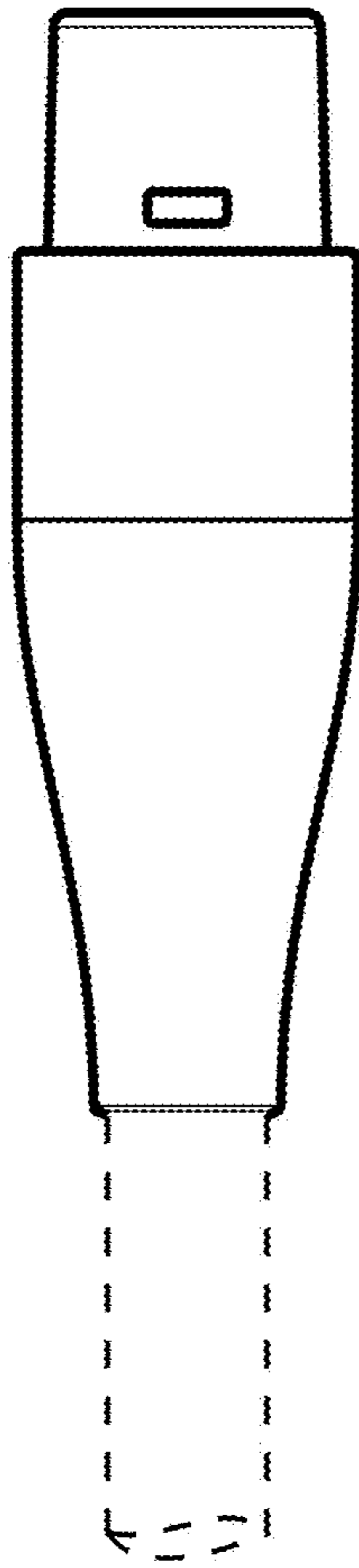


FIG. 5

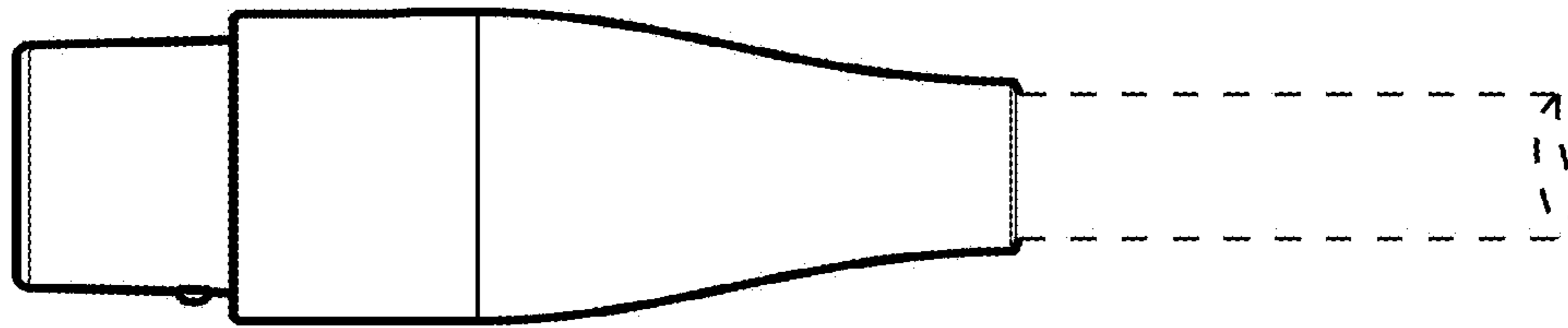


FIG. 6

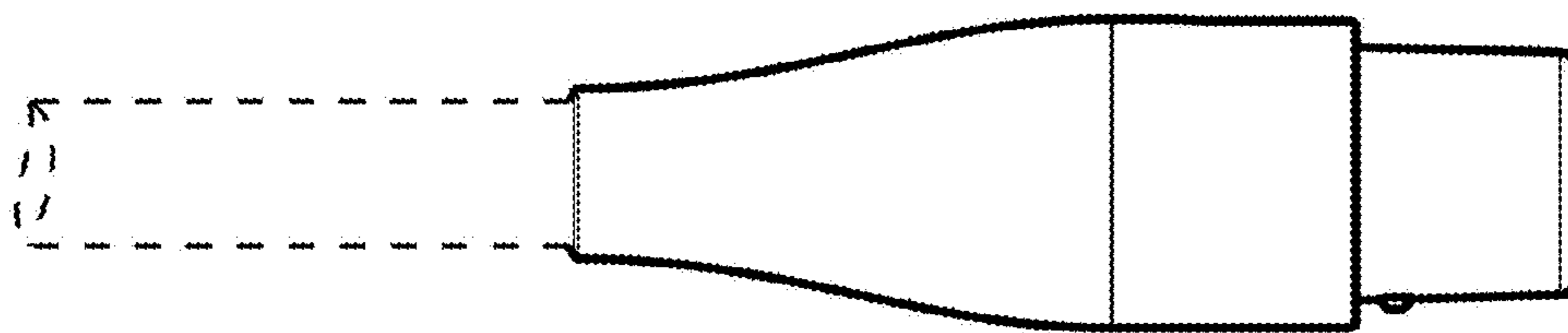


FIG. 7